



US00D802521S

(12) **United States Design Patent**  
**Bonnamour**

(10) **Patent No.:** **US D802,521 S**

(45) **Date of Patent:** **\*\* \*Nov. 14, 2017**

(54) **TIRE TREAD**

(71) Applicants: **COMPAGNIE GENERALE DES  
ETABLISSEMENTS MICHELIN,**  
Clermont-Ferrand (FR); **Michelin  
Recherche et Technique S.A.,**  
Granges-Paccot (CH)

(72) Inventor: **Matthieu Bonnamour,**  
Clermont-Ferrand (FR)

(73) Assignees: **Compagnie Generale Des  
Etablissements Michelin (FR);  
Michelin Recherche Et Technique  
S.A. (CH)**

(\*) Notice: This patent is subject to a terminal disclaimer.

(\*\*) Term: **15 Years**

(21) Appl. No.: **29/546,265**

(22) Filed: **Nov. 20, 2015**

(30) **Foreign Application Priority Data**

May 20, 2015 (FR) ..... 2015-2447

(51) **LOC (10) Cl.** ..... **12-15**

(52) **U.S. Cl.**  
USPC ..... **D12/530; D12/521**

(58) **Field of Classification Search**  
USPC ..... D12/519-532, 551-567, 586-603, 145,  
D12/900, 901  
CPC ..... B60C 1/0016; B60C 11/0302-11/0318;  
B60C 11/11-11/13; B60C 3/06; B60C  
9/17; B60C 2200/10  
See application file for complete search history.

(56) **References Cited**

**U.S. PATENT DOCUMENTS**

D644,593 S \* 9/2011 Fontaine ..... D12/523  
D647,459 S \* 10/2011 Bervas ..... D12/532

D649,508 S \* 11/2011 Allison ..... D12/521  
D678,176 S \* 3/2013 Park ..... D12/531  
D682,773 S \* 5/2013 Kuwano ..... D12/523  
D686,138 S \* 7/2013 Chartier ..... D12/521  
D686,139 S \* 7/2013 Chartier et al.  
D708,564 S \* 7/2014 Wang ..... D12/521  
D720,282 S \* 12/2014 Kim ..... D12/521  
D735,115 S \* 7/2015 Morito ..... D12/531  
D739,339 S \* 9/2015 Nomura ..... D12/521  
D756,892 S \* 5/2016 Kim ..... D12/521

(Continued)

**OTHER PUBLICATIONS**

Michelin Primacy 3, michelinman.com [online], last updated Aug. 16, 2013, [retrieved Sep. 2, 2016], retrieved from the Internet <URL:http://www.michelinman.com/US/en/tires/products/primacy-3.html>.\*

*Primary Examiner* — Cathron Brooks

*Assistant Examiner* — Ian Whitmore

(74) *Attorney, Agent, or Firm* — Dickinson Wright PLLC

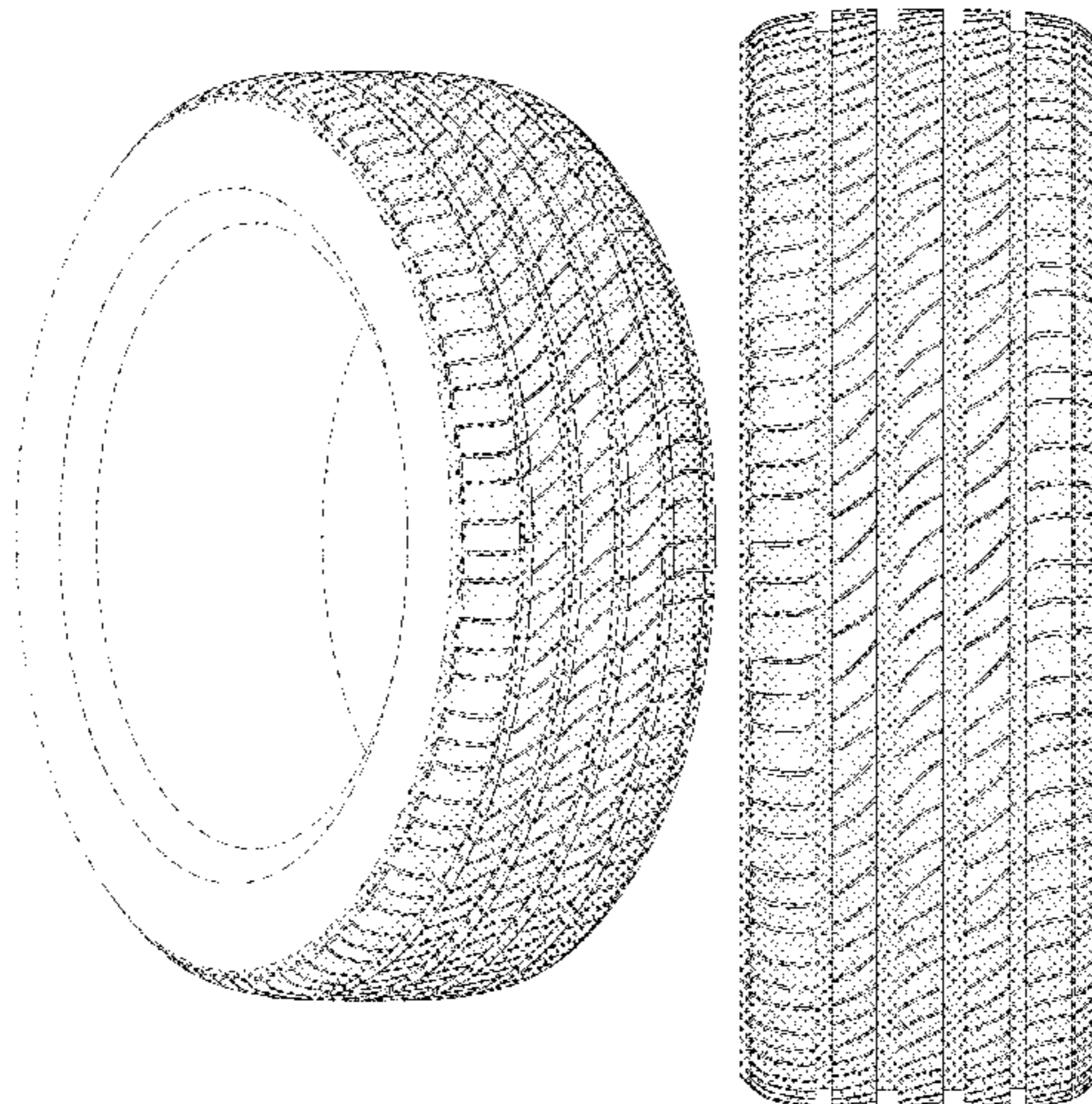
(57) **CLAIM**

The ornamental design for a tire tread, as shown and described.

**DESCRIPTION**

FIG. 1 is a perspective view of the tire tread of my design; FIG. 2 is a front elevation view of the tire tread of my design; FIG. 3 is a left side elevation view of the tire tread of my design; FIG. 4 is a right side elevation view of the tire tread of my design; and, FIG. 5 is an enlarged, partial view of FIG. 1. In the drawings, the dashed broken lines illustrate environmental structure and, in FIG. 5, the edges of an enlarged partial view. The dash-dot-dot broken lines illustrate the peripheral boundary of the claim. The broken lines form no part of the claimed design.

**1 Claim, 5 Drawing Sheets**



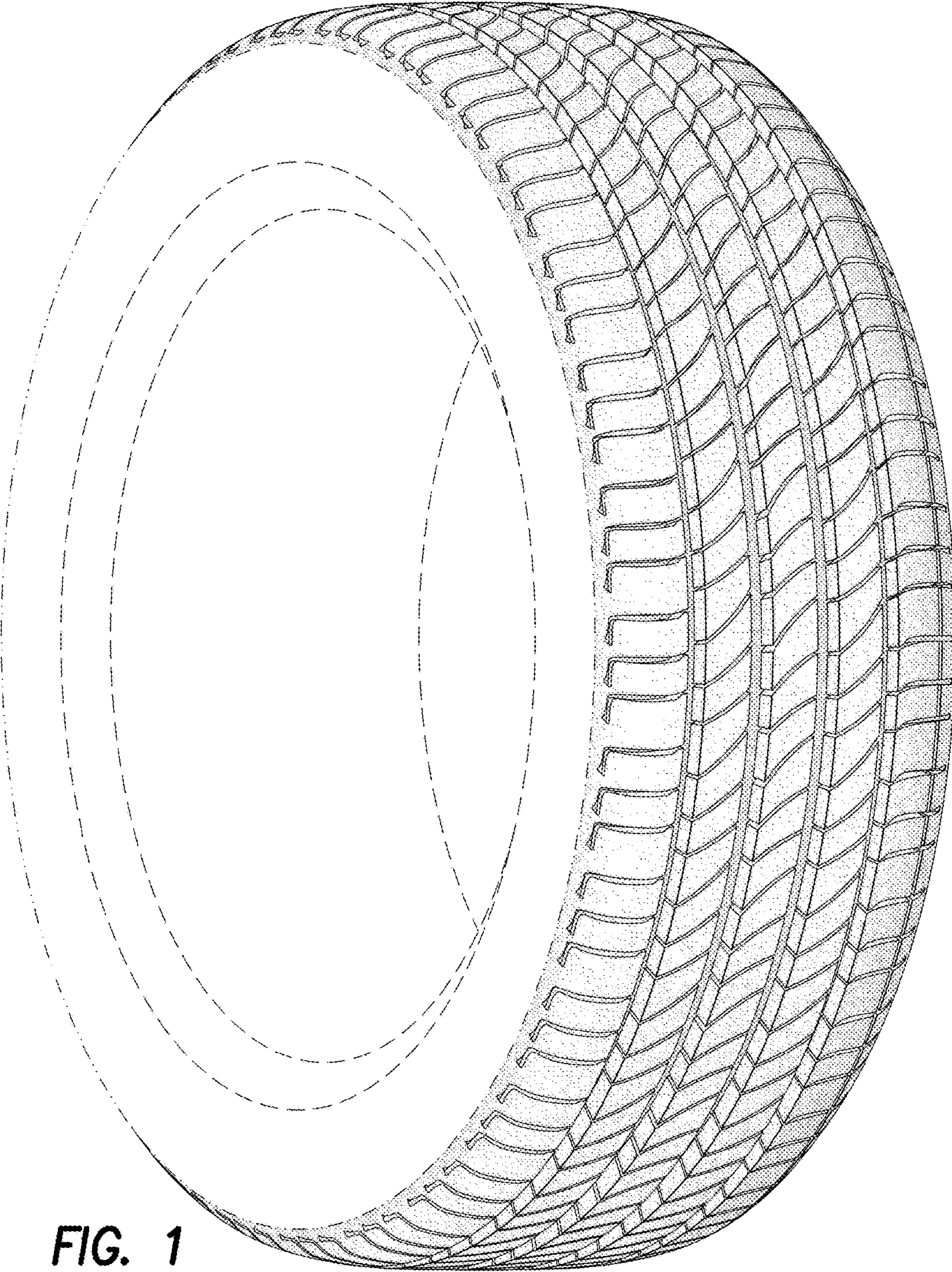
(56)

**References Cited**

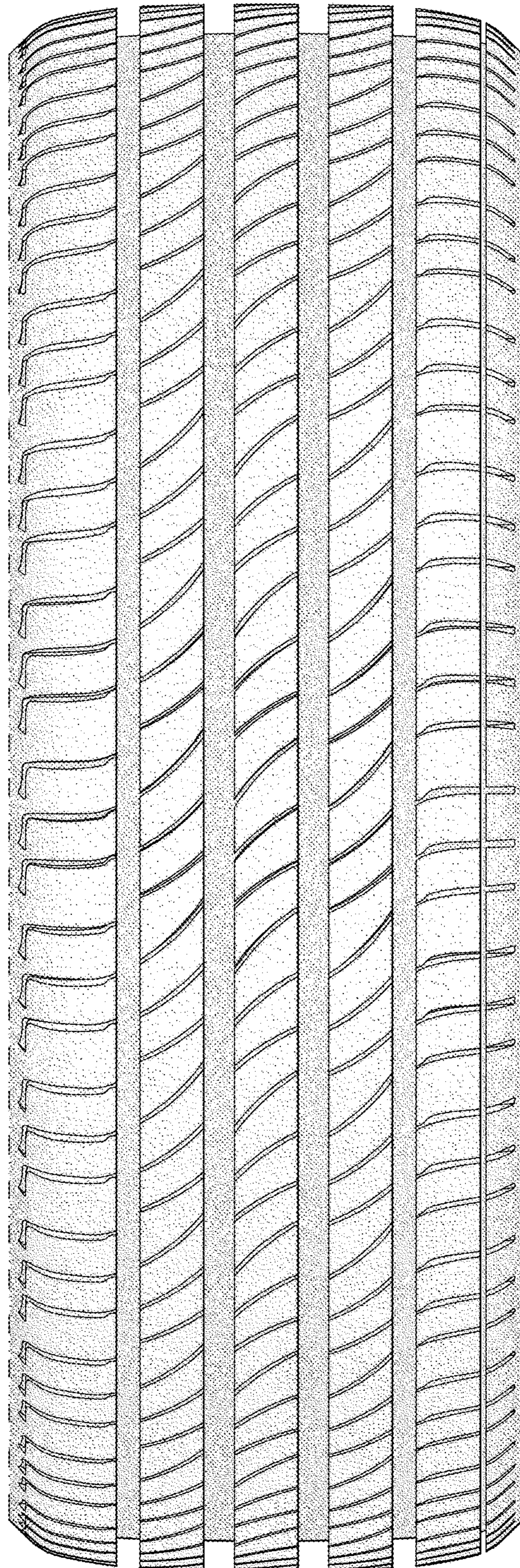
U.S. PATENT DOCUMENTS

D756,905 S \* 5/2016 Sareen ..... D12/603  
D783,507 S \* 4/2017 Raatikainen ..... D12/523  
2013/0199684 A1\* 8/2013 Sakamoto ..... B60C 11/0306  
152/209.18

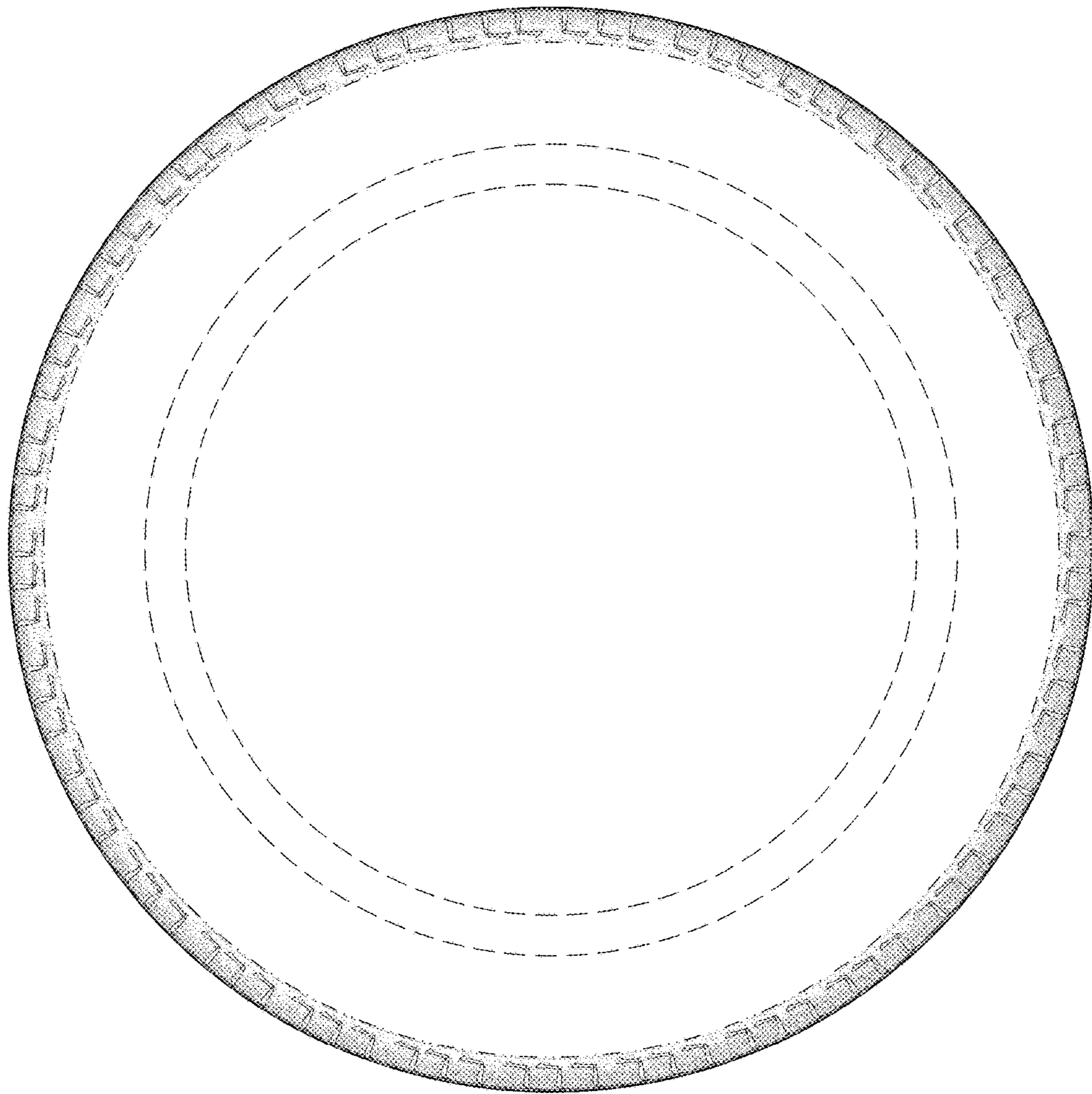
\* cited by examiner



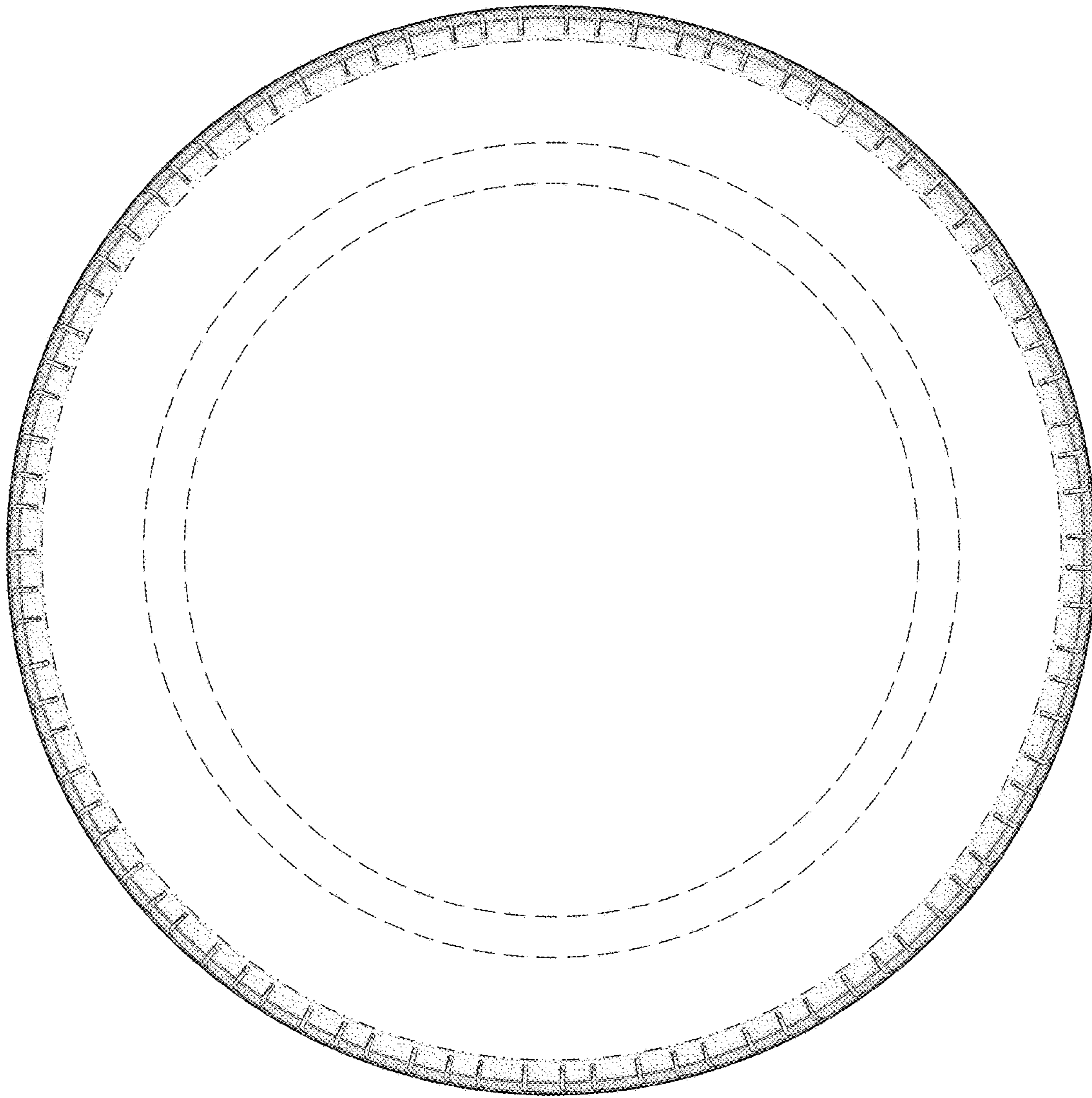
**FIG. 1**



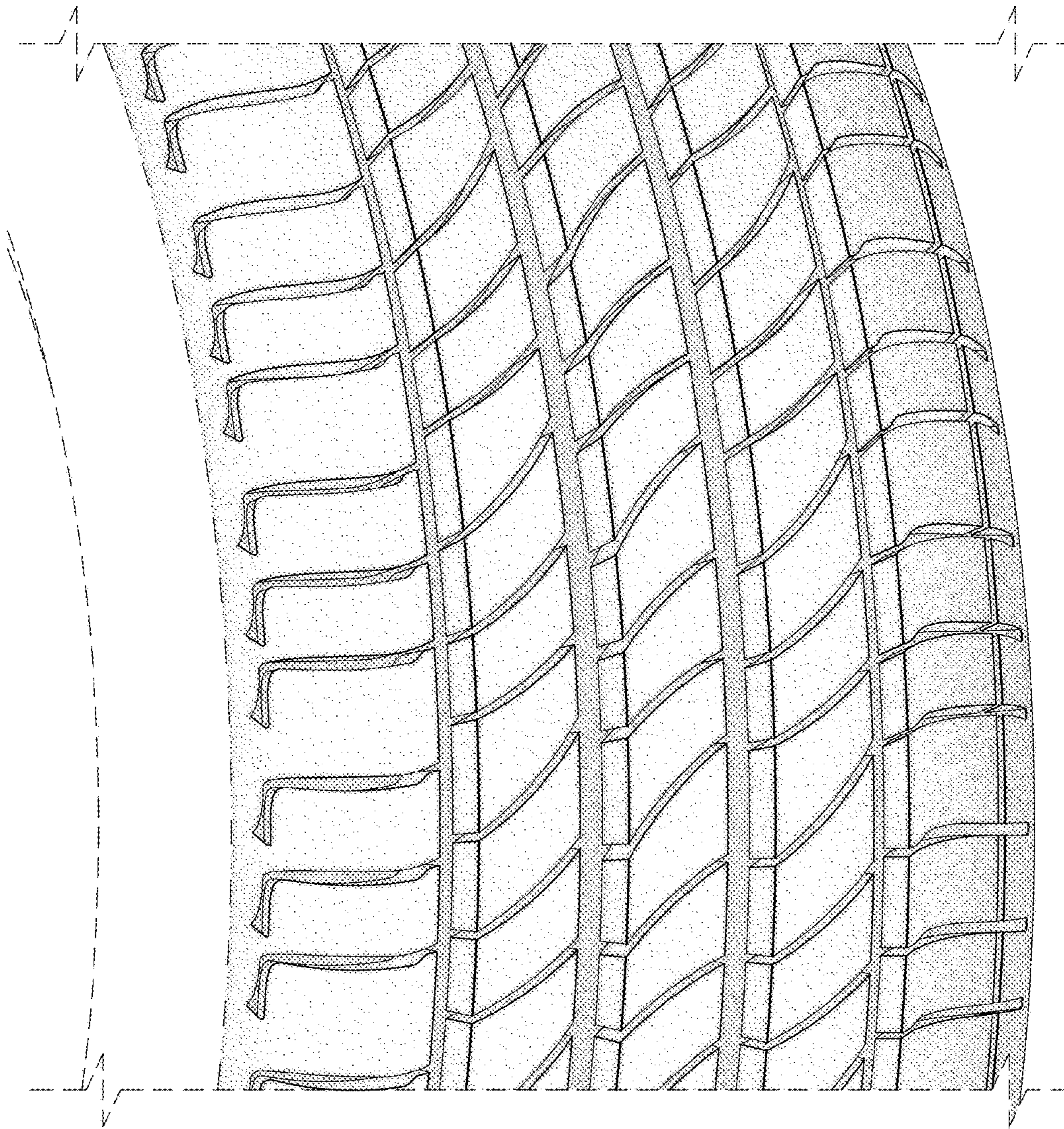
**FIG. 2**



**FIG. 3**



**FIG. 4**



**FIG. 5**