



US00D802519S

(12) **United States Design Patent**
Burch

(10) **Patent No.:** **US D802,519 S**

(45) **Date of Patent:** **** Nov. 14, 2017**

(54) **REMOVABLE VEHICLE ARMREST**

(71) Applicant: **Claudio Burch**, Chester, VA (US)

(72) Inventor: **Claudio Burch**, Chester, VA (US)

(**) Term: **15 Years**

(21) Appl. No.: **29/581,179**

(22) Filed: **Oct. 17, 2016**

(51) **LOC (10) Cl.** **12-16**

(52) **U.S. Cl.**
USPC **D12/421**

(58) **Field of Classification Search**
USPC D12/421, 415, 416, 419
CPC B60N 2/46
See application file for complete search history.

(56) **References Cited**

U.S. PATENT DOCUMENTS

1,756,694 A *	4/1930	Loehr	B60N 2/4666
			248/118
4,453,760 A *	6/1984	Hira	B60N 2/466
			296/153

D369,341 S *	4/1996	Davidson	D12/421
D468,451 S *	1/2003	Kowalczyk	D25/119
D476,945 S *	7/2003	Burch	D12/421
D499,690 S *	12/2004	Roth	D12/421
D583,299 S *	12/2008	Manson	D12/421
D598,673 S *	8/2009	Peters	D6/675
D758,952 S *	6/2016	Erhel	D12/421
2017/0258233 A1 *	9/2017	Chang	A47C 7/546

* cited by examiner

Primary Examiner — Katrina A Betton

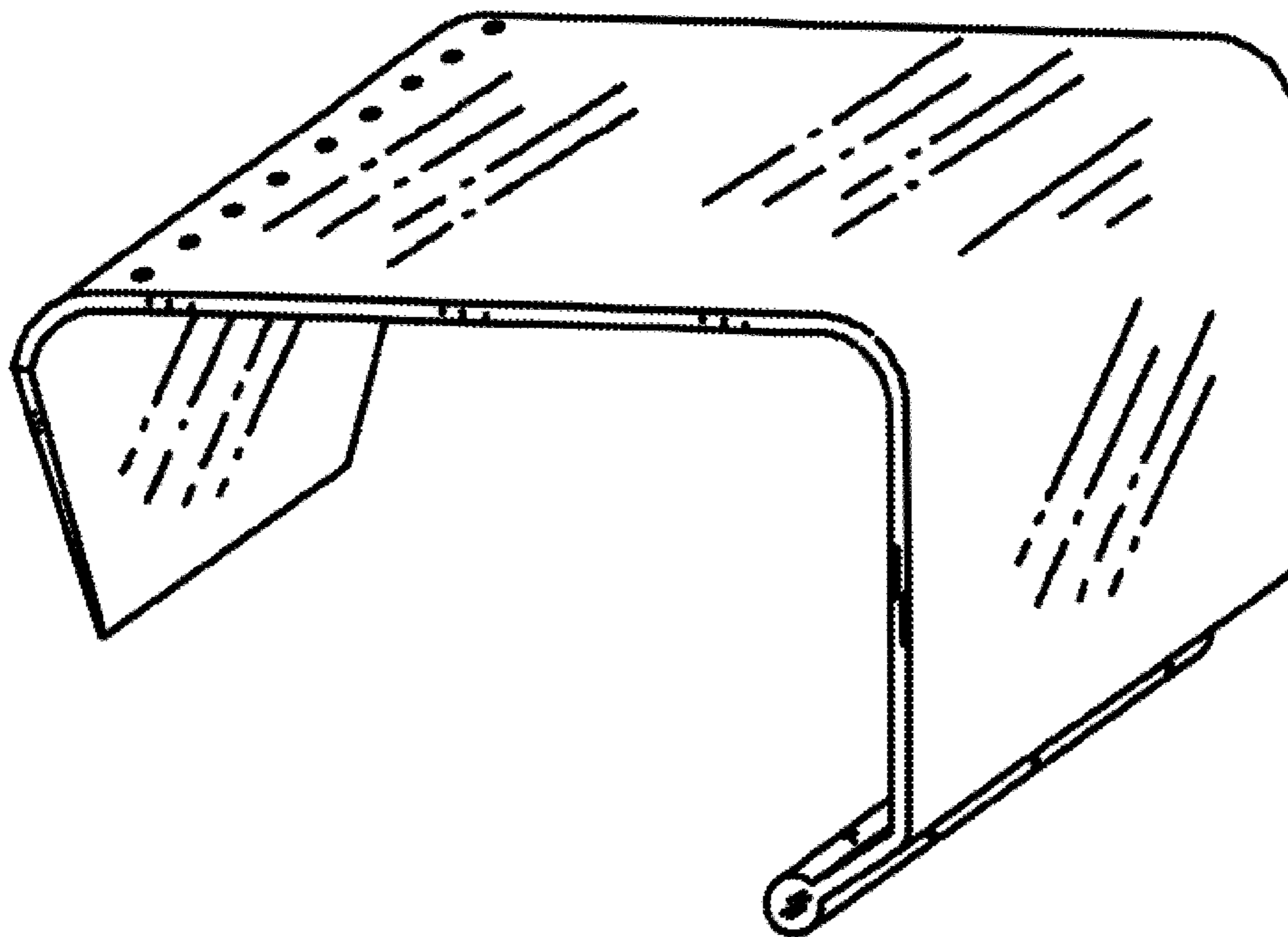
(57) **CLAIM**

The ornamental design for a removable vehicle armrest, as shown and described.

DESCRIPTION

FIG. 1 is an isometric view of a removable vehicle armrest showing my new design;
 FIG. 2 is an end view thereof, with the opposite end view being a mirror image thereof;
 FIG. 3 is a left side elevation view thereof;
 FIG. 4 is a right side elevation view thereof;
 FIG. 5 is a top view thereof; and,
 FIG. 6 is a bottom view thereof.

1 Claim, 1 Drawing Sheet



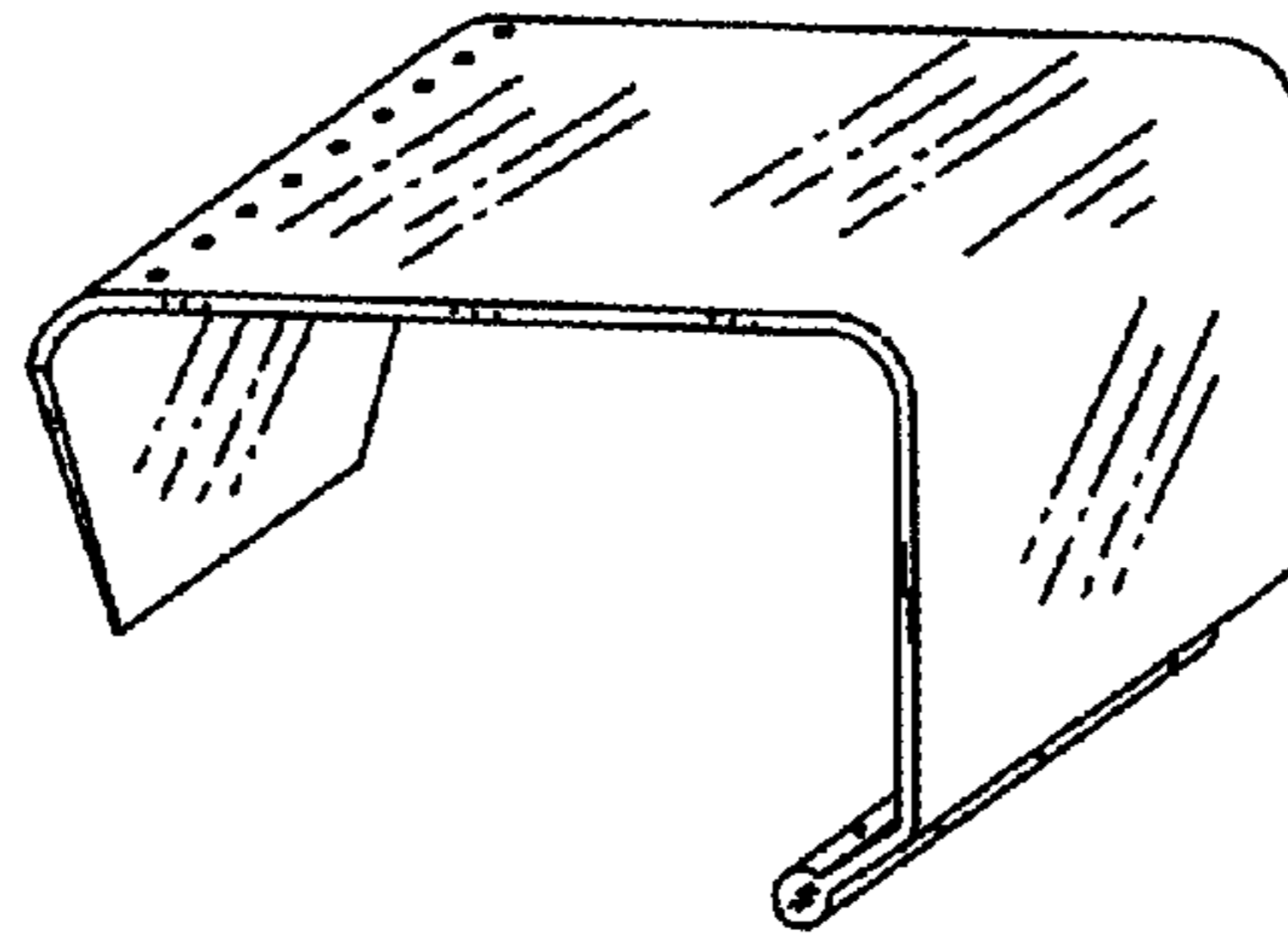


Fig. 1

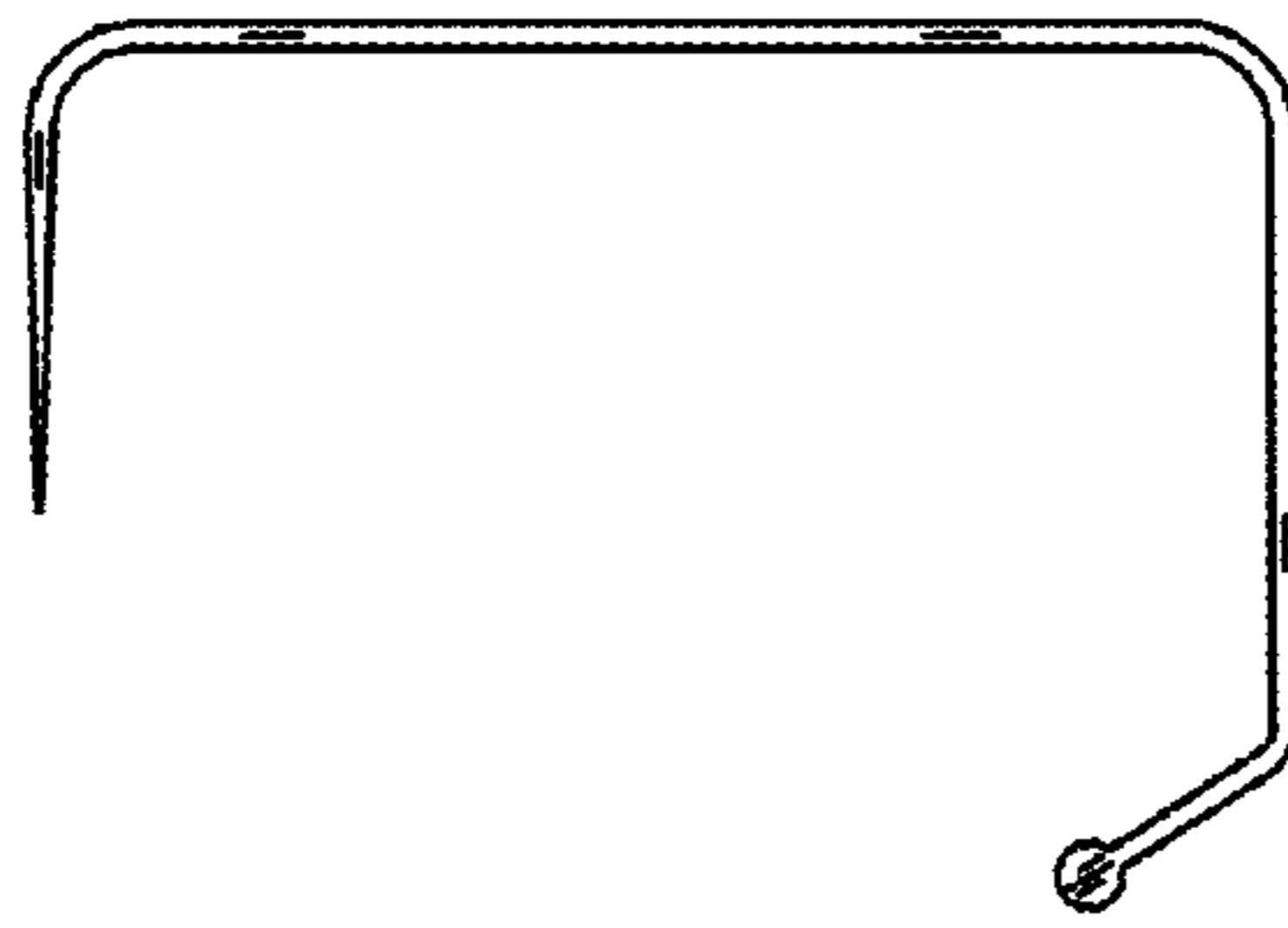


Fig. 2

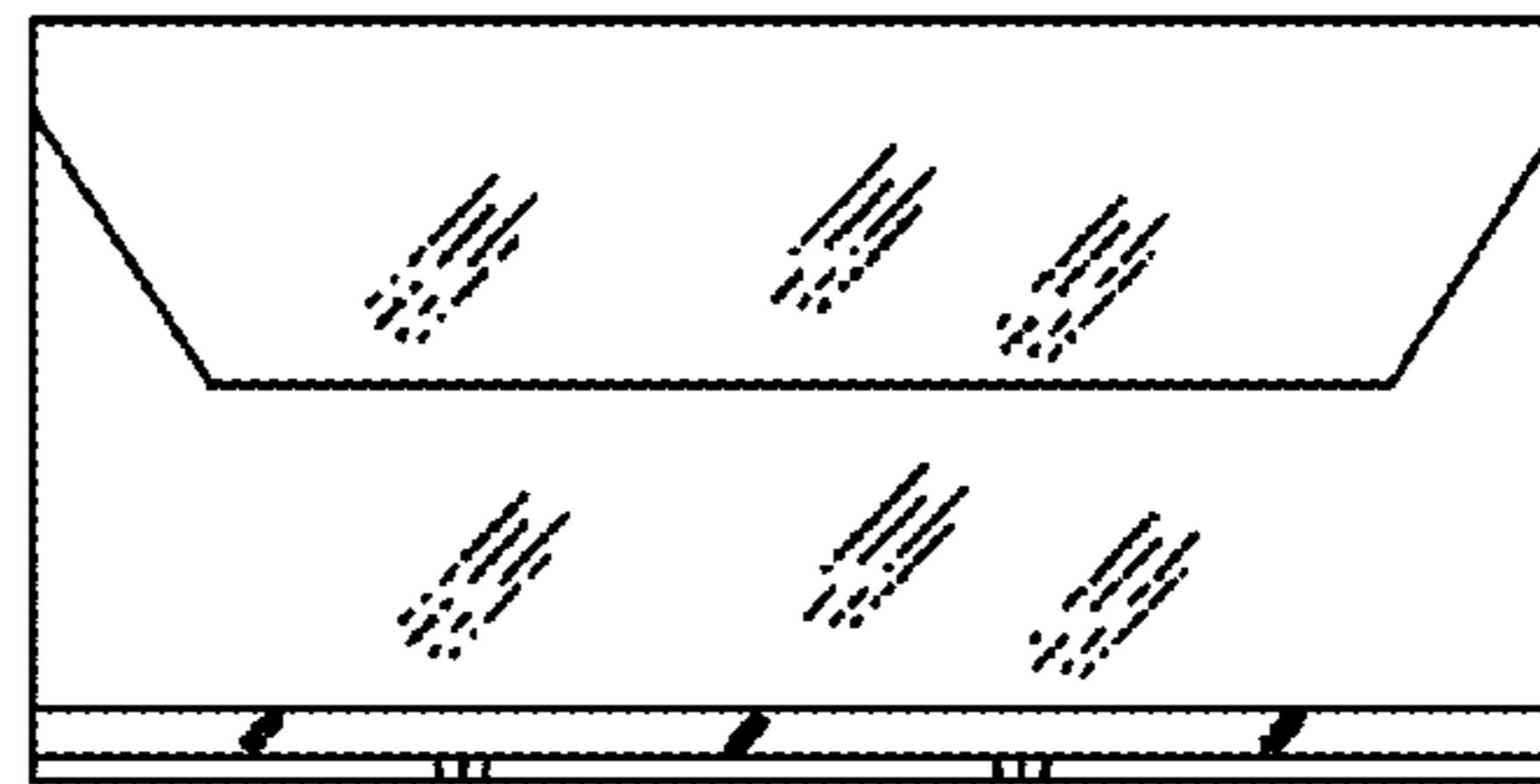


Fig. 3

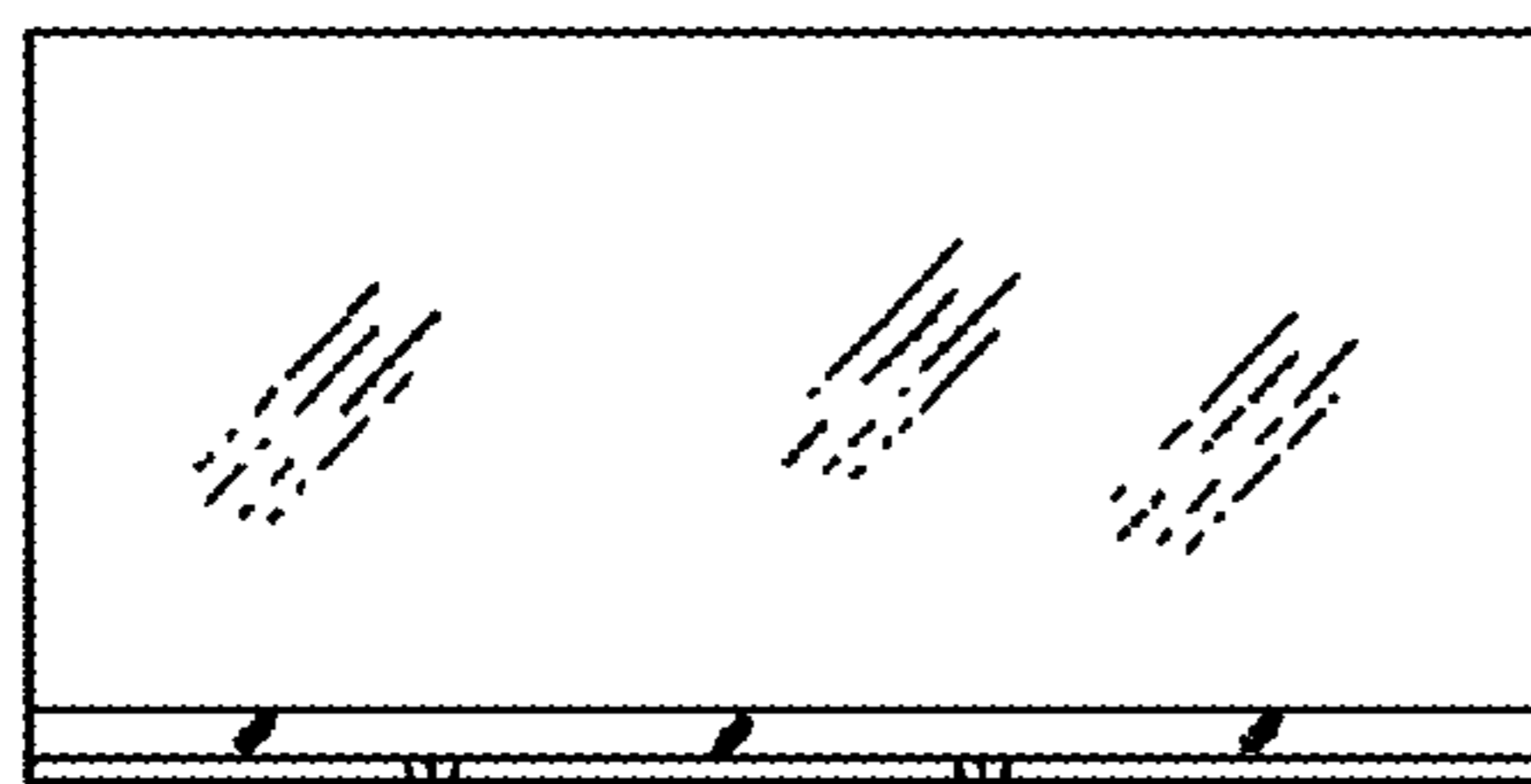


Fig. 4

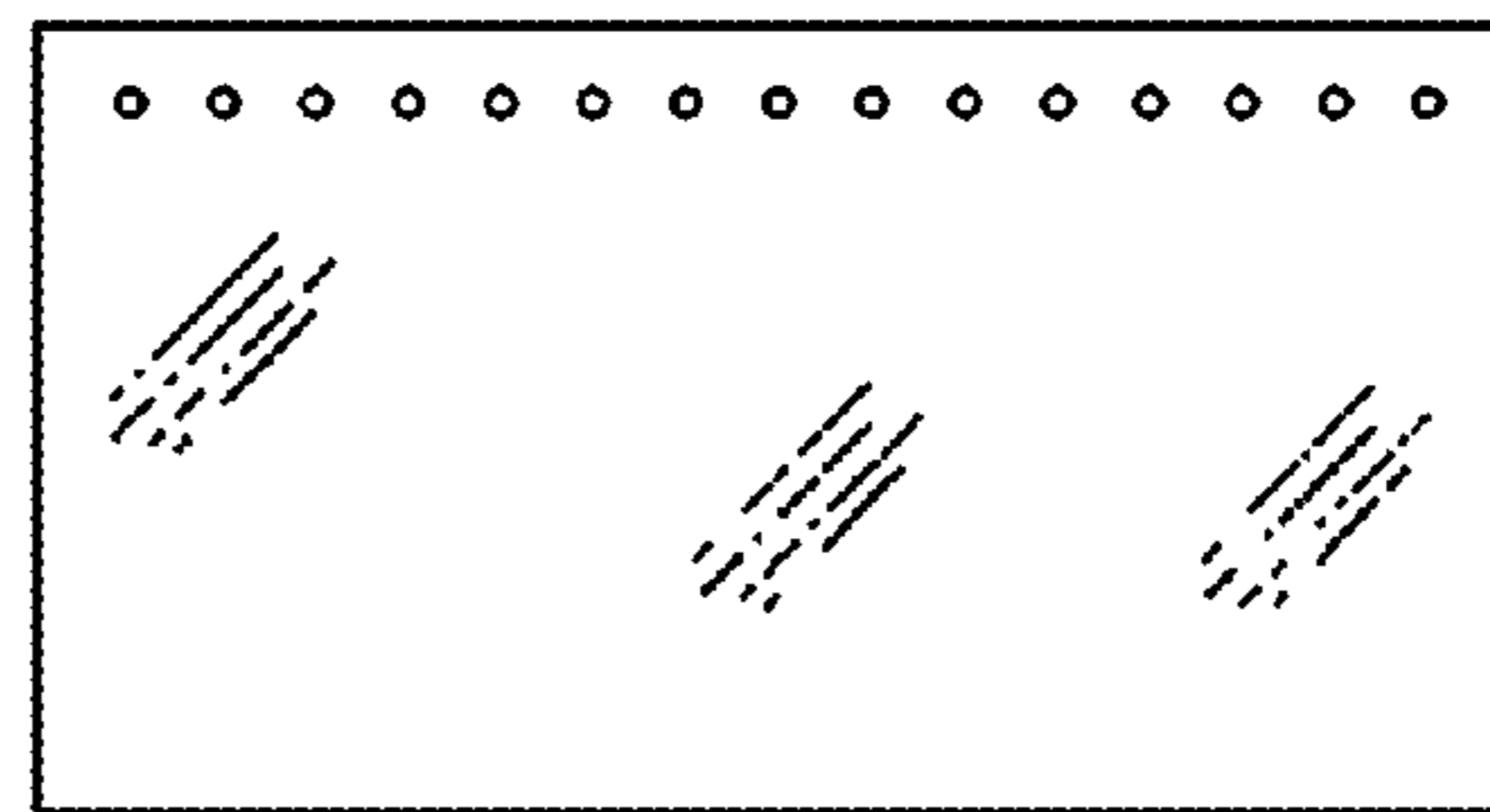


Fig. 5

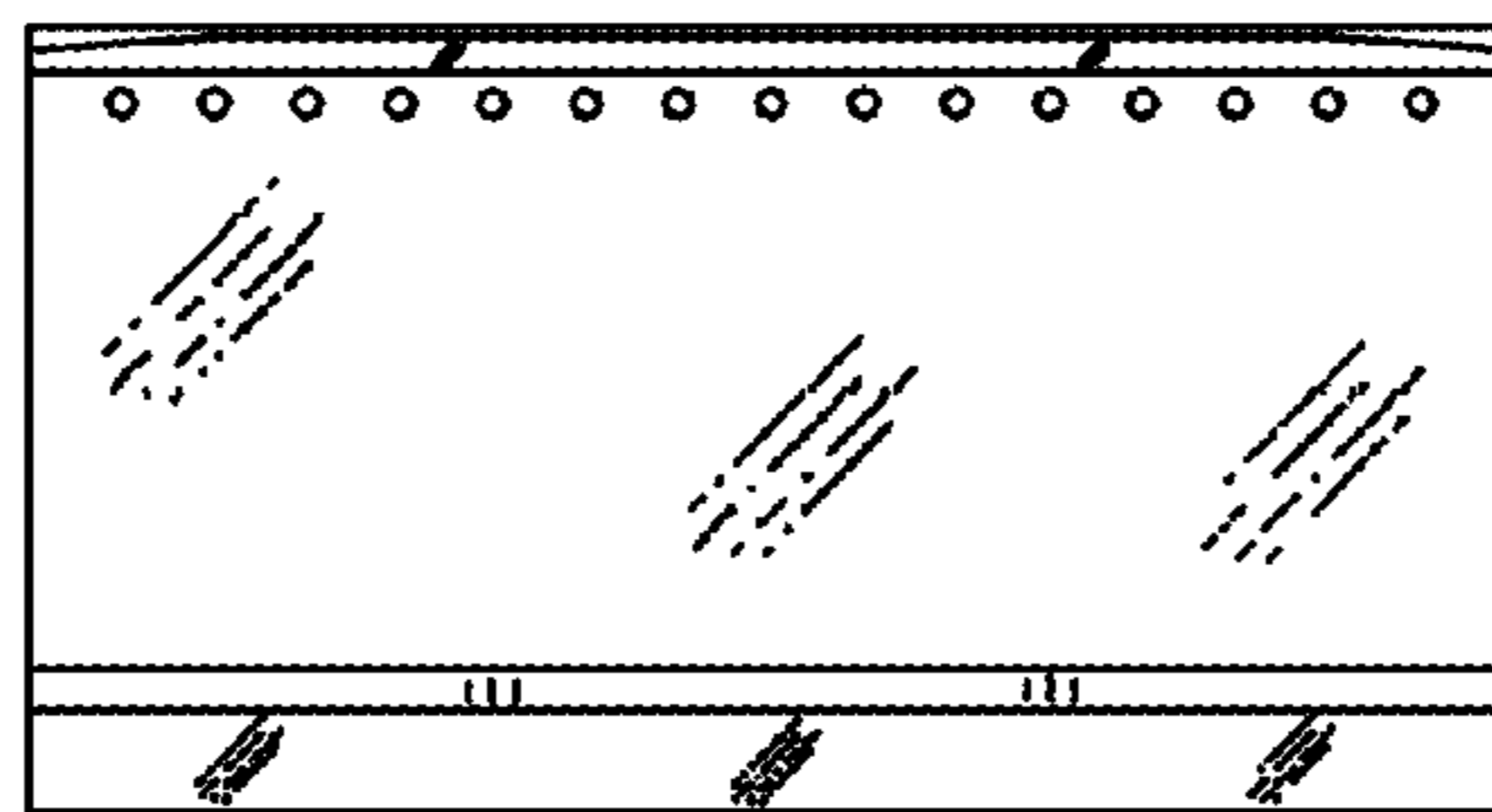


Fig. 6