



US00D802518S

(12) **United States Design Patent**
Lewis et al.

(10) **Patent No.:** **US D802,518 S**

(45) **Date of Patent:** **** Nov. 14, 2017**

(54) **AUTONOMOUSLY DRIVEN VEHICLE**
(71) Applicant: **DELPHI TECHNOLOGIES, INC.**,
Troy, MI (US)
(72) Inventors: **Matthew J. Lewis**, Mountain View, CA
(US); **John P. Absmeier**, Capitola, CA
(US); **Michael H. Laur**, Mission Viejo,
CA (US)

(73) Assignee: **DELPHI TECHNOLOGIES, INC.**,
Troy, MI (US)

(**) Term: **15 Years**

(21) Appl. No.: **29/535,855**

(22) Filed: **Aug. 11, 2015**

(51) **LOC (10) Cl.** **12-16**

(52) **U.S. Cl.**
USPC **D12/400**

(58) **Field of Classification Search**
USPC D12/107, 110, 114, 115, 117, 126, 400,
D12/401, 404, 415, 423, 179; D25/48.1,
D25/48.3
CPC . B60R 1/025; B60R 1/08; B62H 5/001; B62J
9/006; B65D 43/16; B65D 43/22; B65D
55/02; F21S 48/00; G01S 13/931
See application file for complete search history.

(56) **References Cited**

U.S. PATENT DOCUMENTS

D392,604 S *	3/1998	Wright	D12/126
D542,745 S *	5/2007	Barnes, Jr.	D13/162
D623,582 S *	9/2010	Smith	D12/401
D699,708 S *	2/2014	Files	D12/114
D709,007 S *	7/2014	Henry	D12/181
D729,130 S *	5/2015	Hinsey	D12/114
D746,217 S *	12/2015	Gruner	D12/413
9,227,574 B1 *	1/2016	Martinez	B60R 9/06
D754,777 S *	4/2016	Fish, Jr.	D12/223

D760,508 S *	7/2016	Luke	D12/110
D764,357 S *	8/2016	Hinsey	D12/114
D764,358 S *	8/2016	Hinsey	D12/114
D775,258 S *	12/2016	Hinkel	D16/219
D782,941 S *	4/2017	Allard	D12/106
2002/0057195 A1 *	5/2002	Yamamura	B60K 31/0008 340/435
2002/0175810 A1 *	11/2002	Munch	B60R 1/025 340/436
2004/0246172 A1 *	12/2004	Hirose	G01S 7/038 342/198
2005/0218031 A1 *	10/2005	Murphy	B65D 21/0204 206/538
2006/0145778 A1 *	7/2006	Pleva	H01P 5/107 333/26

(Continued)

OTHER PUBLICATIONS

Self-Driving Cars, image post date Mar. 16, 2015, site visited Apr. 20, 2017, (online), <<https://www.partcatalog.com/blog/autonomous-vehicle-predictions/>>.*

(Continued)

Primary Examiner — Kevin Rudzinski
Assistant Examiner — Sean D Lough
(74) *Attorney, Agent, or Firm* — Lawrence D. Hazelton

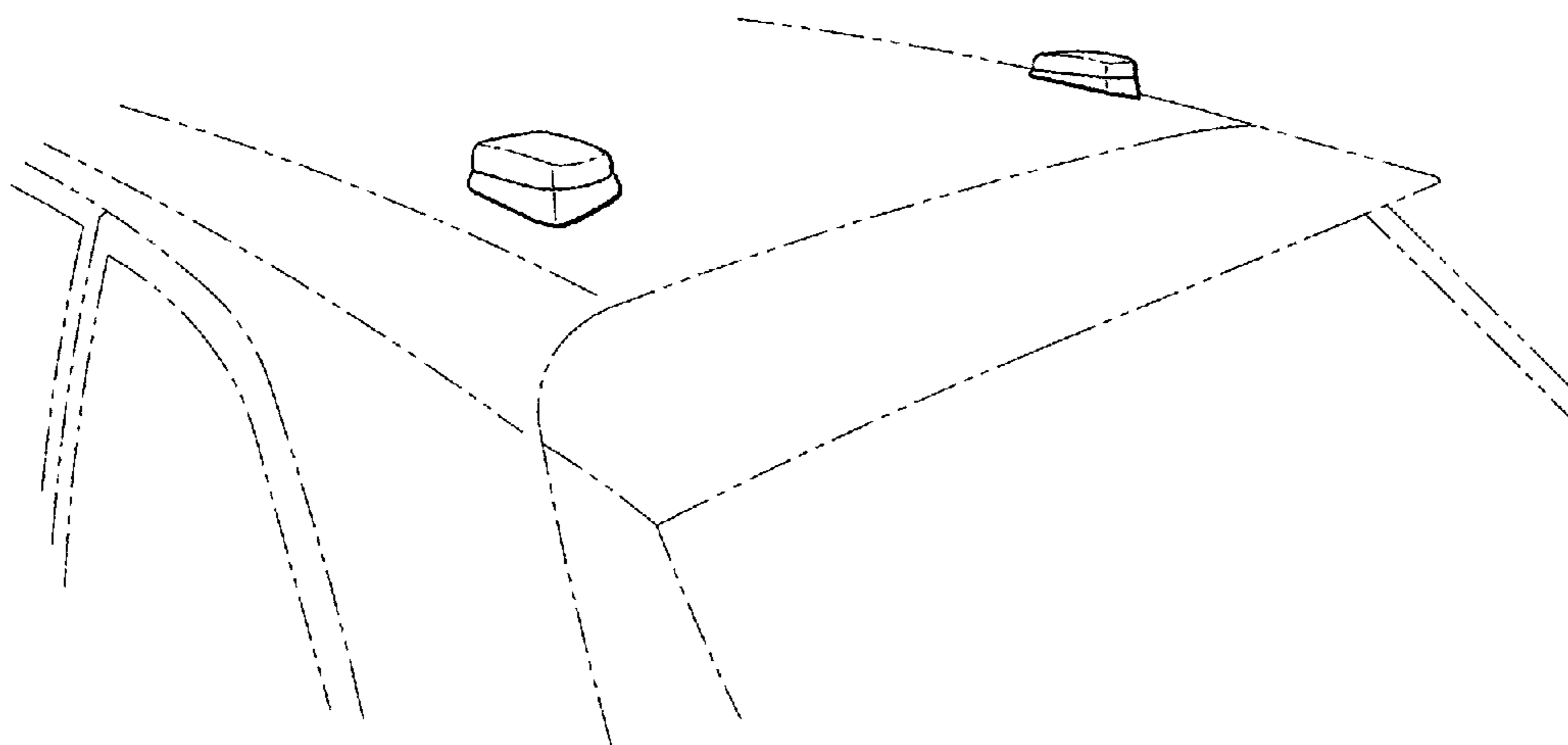
(57) **CLAIM**

We claim the ornamental design for an autonomously driven vehicle, as shown and described.

DESCRIPTION

FIG. 1 is rear end view of a vehicle showing our new design; FIG. 2 is a rear top view of the vehicle; FIG. 3 is a side view of the rear of the vehicle; and, FIG. 4 is a perspective view of the rear of the vehicle. The environment illustrated in broken dot dot dash line in FIGS. 1-4 form no part of the claimed design.

1 Claim, 2 Drawing Sheets



(56)

References Cited

U.S. PATENT DOCUMENTS

2011/0163909 A1* 7/2011 Jeong G01S 13/4463
342/70
2013/0239391 A1* 9/2013 Pettigrew
2015/0076151 A1* 3/2015 Knipe B65D 43/0212
220/254.3
2015/0266652 A1* 9/2015 Peppou B29C 43/021
220/592.24
2015/0331087 A1* 11/2015 Philipp H05K 5/0069
342/175
2015/0367987 A1* 12/2015 Clark B65D 21/0201
220/23.86
2016/0033621 A1* 2/2016 Ottenhues G01S 7/032
342/175
2017/0001775 A1* 1/2017 Cimmerer B65D 43/16
2017/0027306 A1* 2/2017 Behar A45C 15/04
2017/0050798 A1* 2/2017 Ludewig B65D 85/54
2017/0060135 A1* 3/2017 Pendleton G05D 1/0234
2017/0073130 A1* 3/2017 Giraud B65D 50/066
2017/0096268 A1* 4/2017 Perry B65D 51/24

OTHER PUBLICATIONS

Nevada Self-Driven Car, image post date May 8, 2012, site visited Apr. 20, 2017, (online), <<http://breakinggov.com/2012/05/08/nevada-issues-nations-first-license-for-self-driven-car/>>.*

Robo-Car, image post date Apr. 3, 2015, site visited Apr. 20, 2017, (online), <<https://www.wired.com/2015/04/delphi-autonomous-car-cross-country/>>.*

Unseen Sensors, image post date May 2, 2014, site visited Apr. 19, 2017, (online), ><http://designmind.frogdesign.com/2014/05/unseen-sensors-constantly-sensing-rarely-seen/>>.*

* cited by examiner

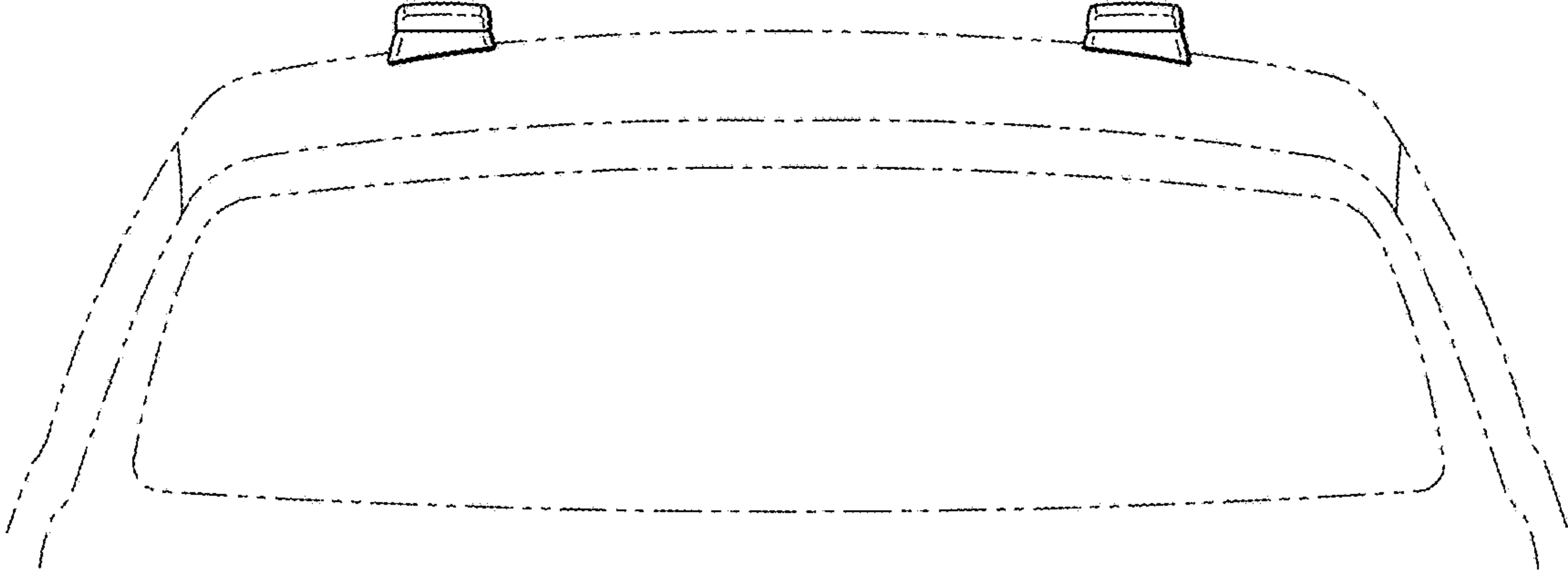


FIG. 1

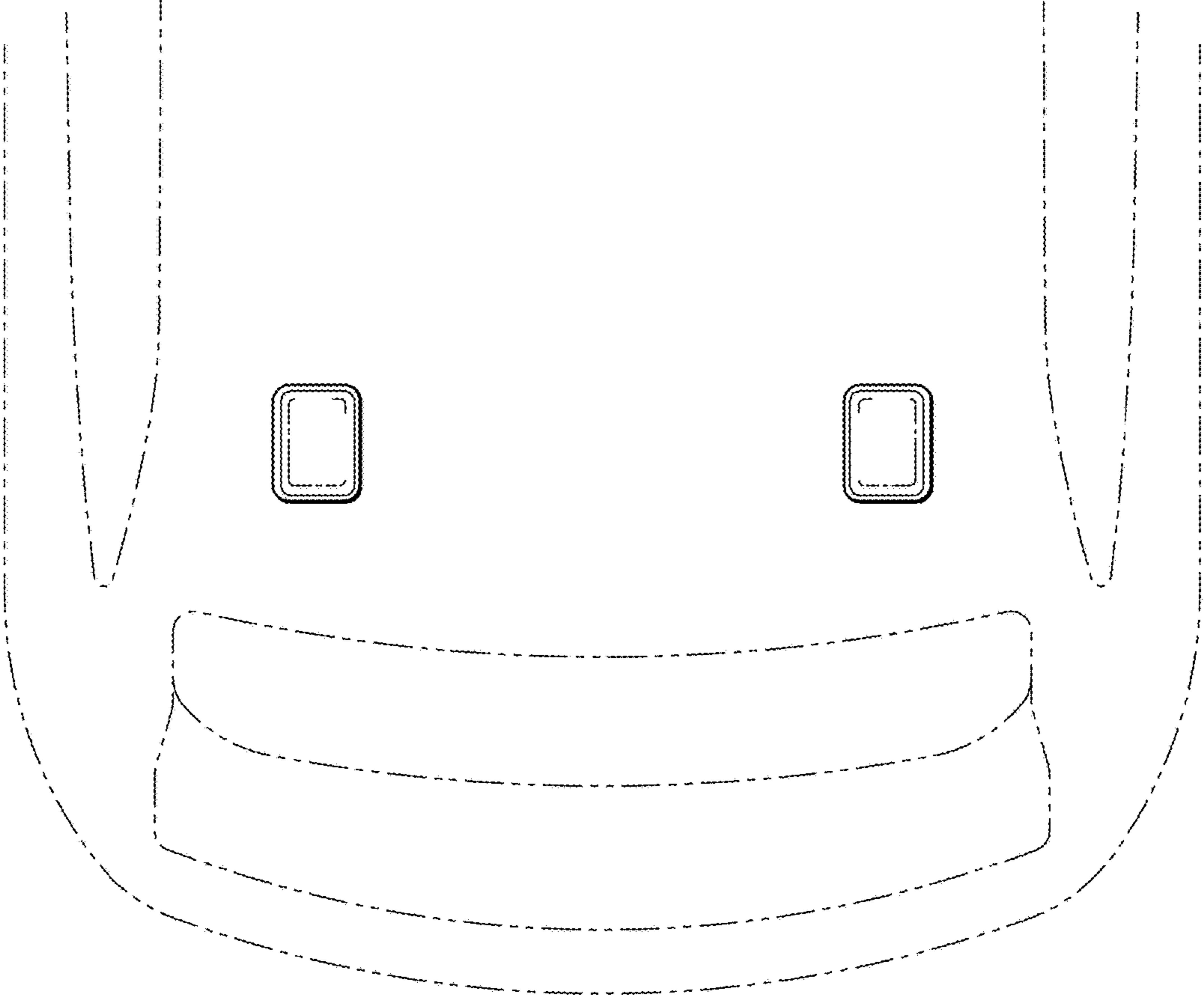


FIG. 2

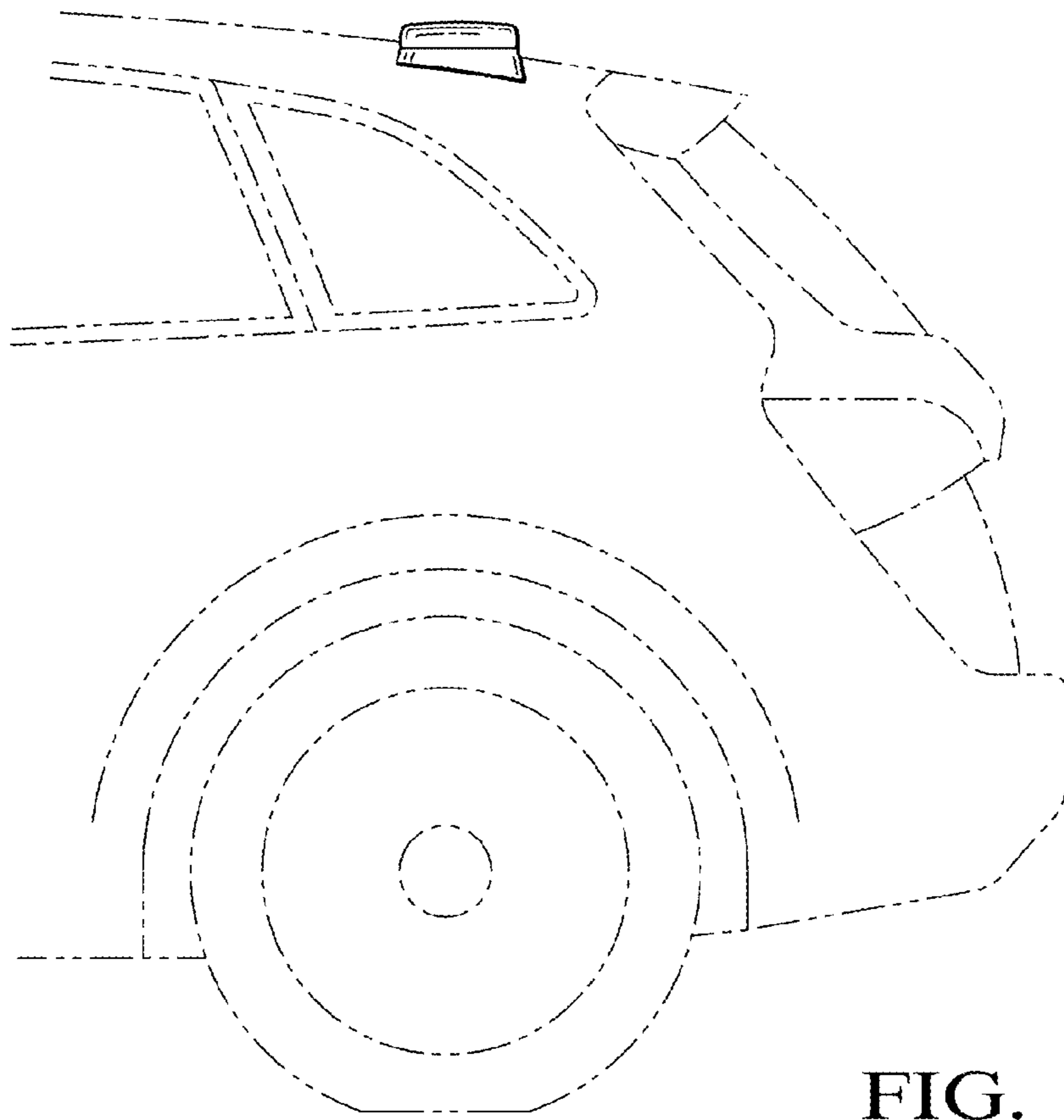


FIG. 3

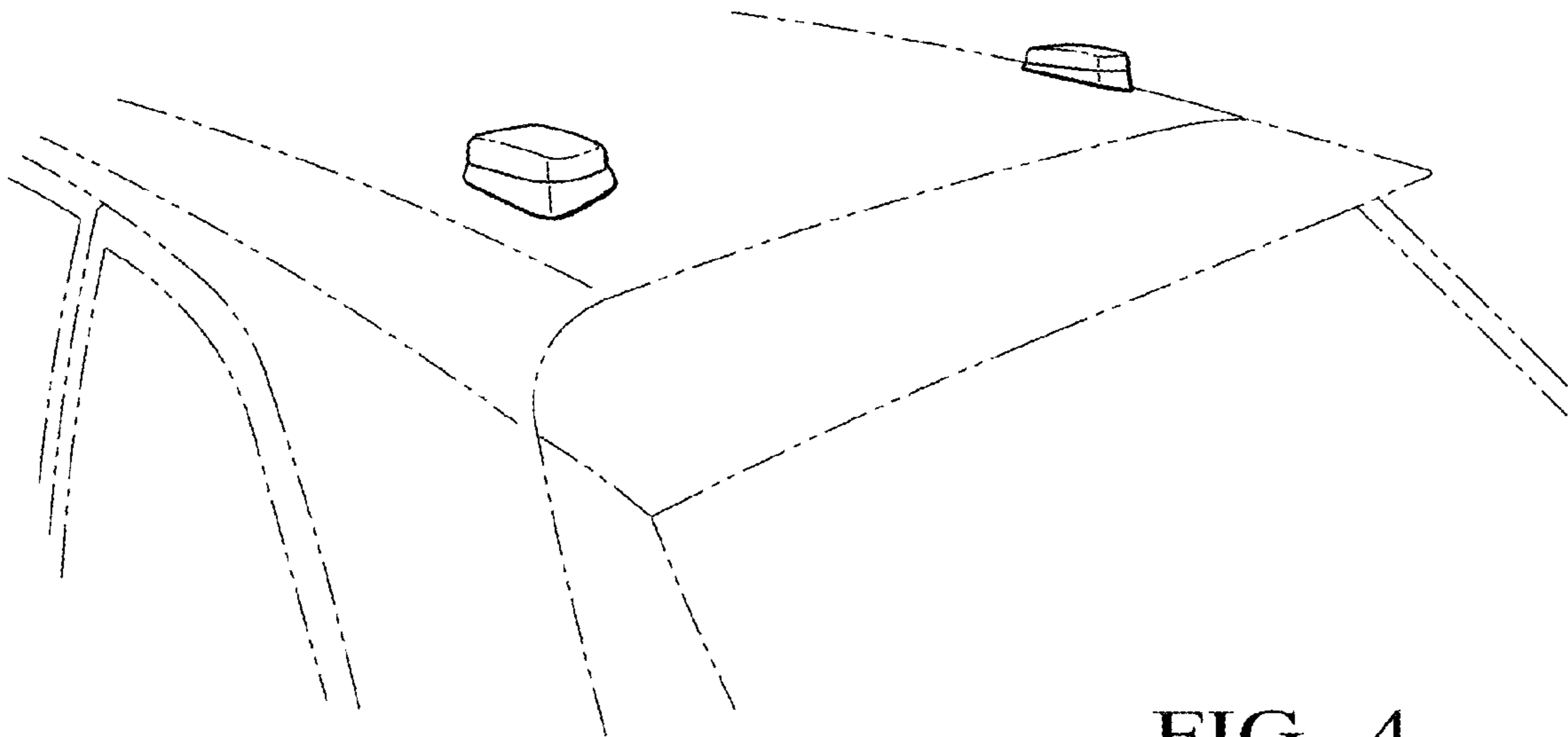


FIG. 4