



US00D802516S

(12) **United States Design Patent** (10) **Patent No.:** **US D802,516 S**  
**Stuart** (45) **Date of Patent:** **\*\* Nov. 14, 2017**

(54) **CANOE SUPPORT**

(71) Applicant: **Lacks Enterprises, Inc.**, Grand Rapids, MI (US)

(72) Inventor: **Scott Stuart**, Grand Rapids, MI (US)

(73) Assignee: **Lacks Enterprises, Inc.**, Grand Rapids, MI (US)

(\*\*) Term: **15 Years**

(21) Appl. No.: **29/572,439**

(22) Filed: **Jul. 28, 2016**

(51) **LOC (10) Cl.** ..... **12-06**

(52) **U.S. Cl.**  
USPC ..... **D12/317; D8/388**

(58) **Field of Classification Search**  
USPC ..... D21/840; D8/1, 349, 388, 391, 392;  
D25/121, 126, 131; D26/138; D12/223,  
D12/317

CPC ..... B62B 35/71; E04H 15/06  
See application file for complete search history.

(56) **References Cited**

**U.S. PATENT DOCUMENTS**

- 1,520,756 A \* 12/1924 Kemper ..... E04H 15/06  
135/87
- 3,076,557 A 2/1963 Husted et al.
- 3,283,733 A 7/1965 Boerma
- 4,081,118 A 3/1978 Mason
- 4,239,137 A 12/1980 Arcouette
- 4,824,127 A 4/1989 Stamm

- 5,065,975 A 11/1991 Giles
- D392,410 S \* 3/1998 Lukach ..... D27/183
- 5,762,004 A 6/1998 Vashon et al.
- D398,514 S \* 9/1998 Anderson ..... D8/349
- 5,819,720 A 10/1998 Schubert
- 7,168,666 B2 1/2007 Tucker
- D706,095 S \* 6/2014 Evans ..... D8/1
- D723,356 S \* 3/2015 Simon ..... D8/373
- 2004/0262466 A1 12/2004 Blattner
- 2009/0278020 A1 11/2009 Marcil
- 2014/0146526 A1 5/2014 Evans, Sr. et al.

\* cited by examiner

*Primary Examiner* — Cynthia M Chin

(74) *Attorney, Agent, or Firm* — John S. Artz; Dickinson Wright PLLC

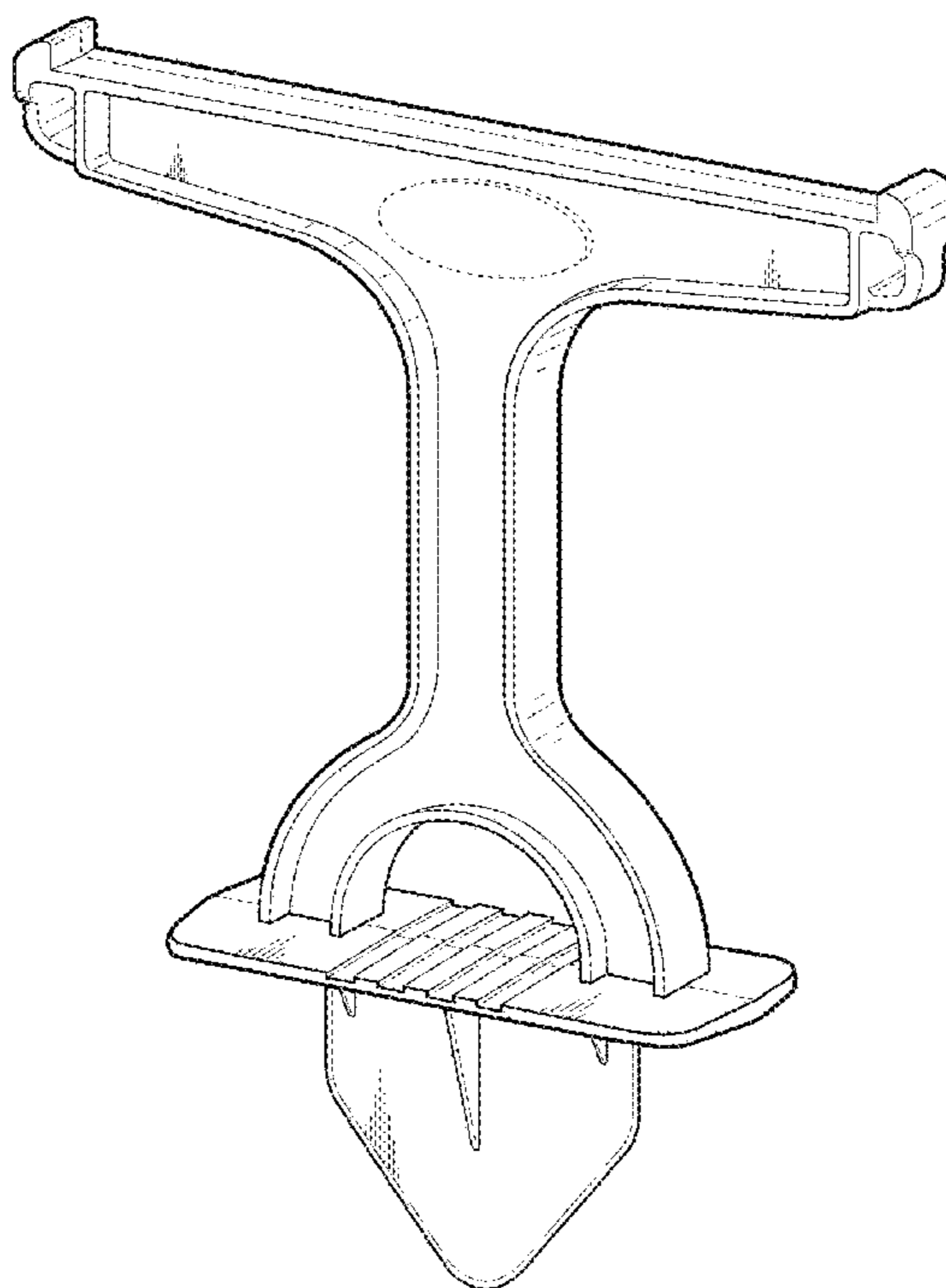
(57) **CLAIM**

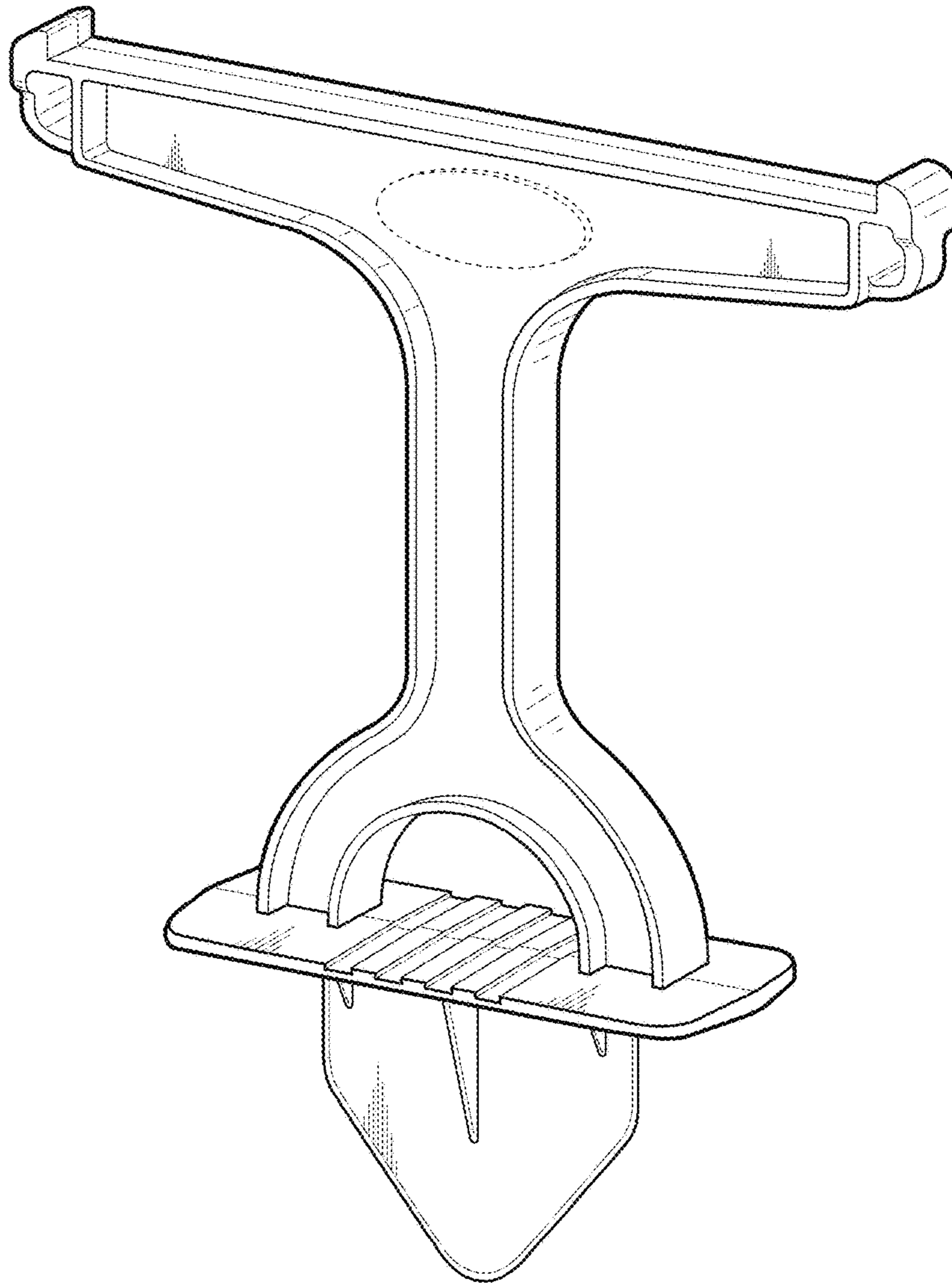
The ornamental design for a canoe support, as shown and described.

**DESCRIPTION**

FIG. 1 is a perspective view of a canoe support; FIG. 2 is a front view of the canoe support of FIG. 1; FIG. 3 is a right side view of the canoe support of FIG. 1; FIG. 4 is a back view of the canoe support of FIG. 1; FIG. 5 is a top view of the canoe support of FIG. 1; and, FIG. 6 is a bottom view of the canoe support of FIG. 1. The broken lines shown in the drawings are included for the purpose of illustrating environmental structure and form no part of the claimed design.

**1 Claim, 5 Drawing Sheets**





**FIG. 1**

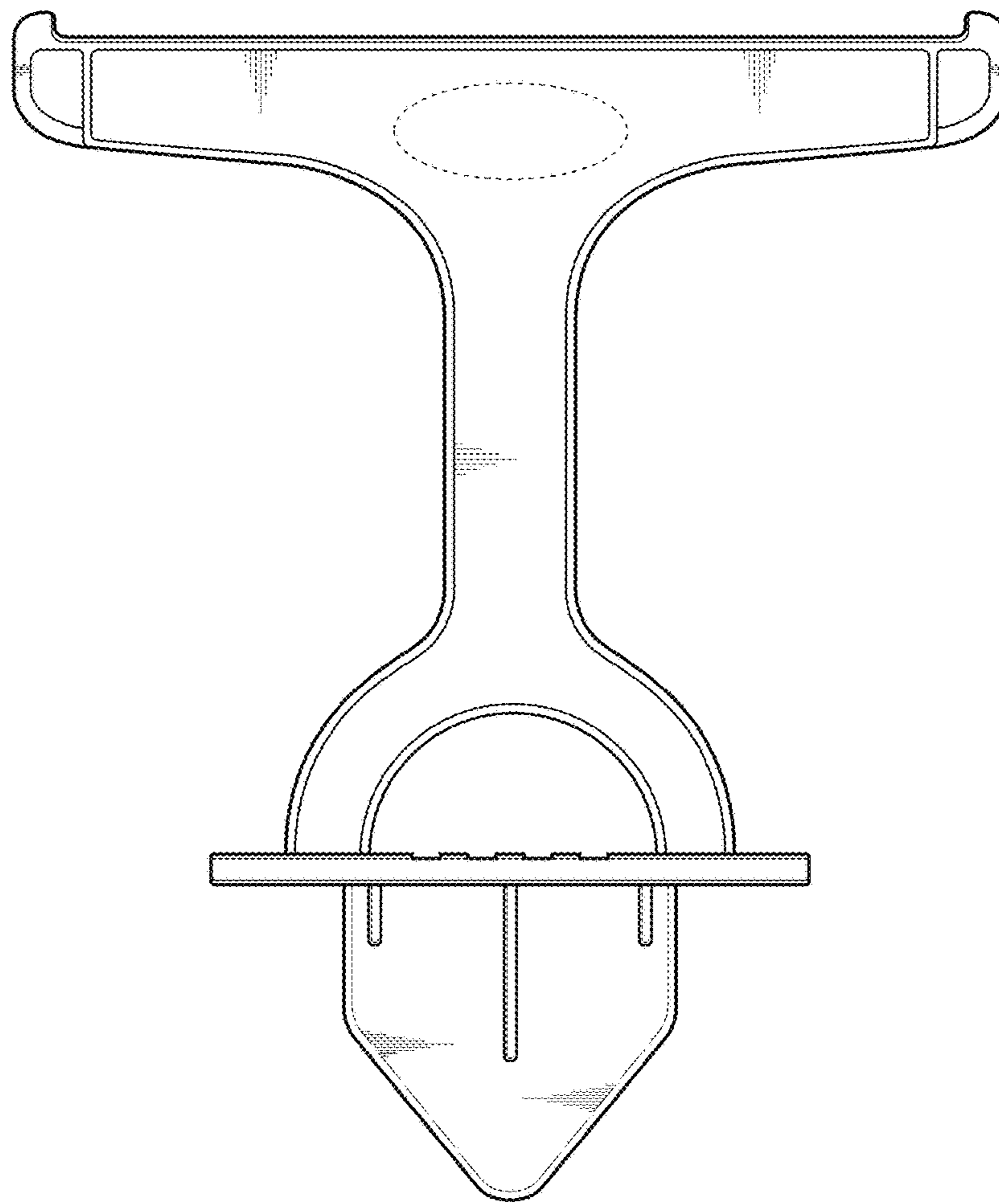
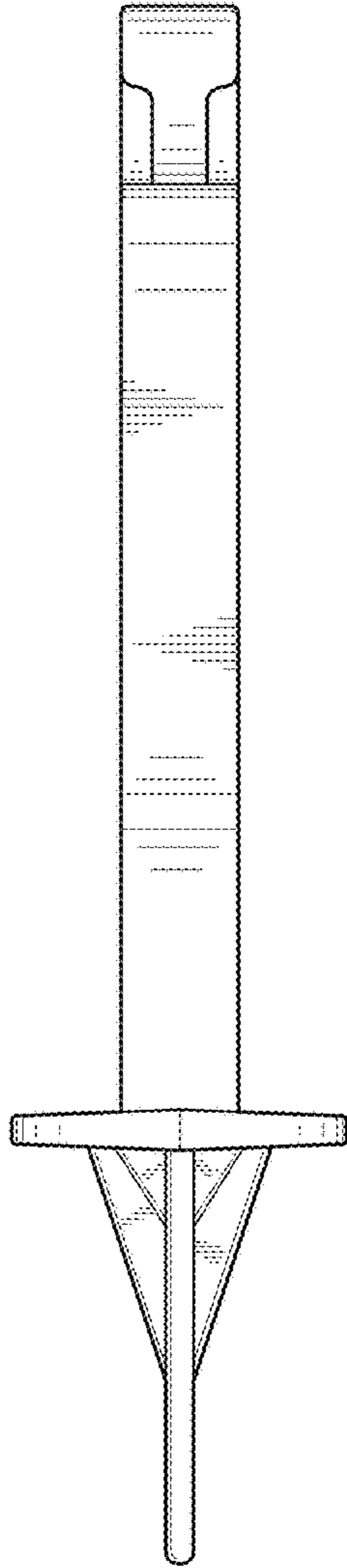


FIG. 2



**FIG. 3**

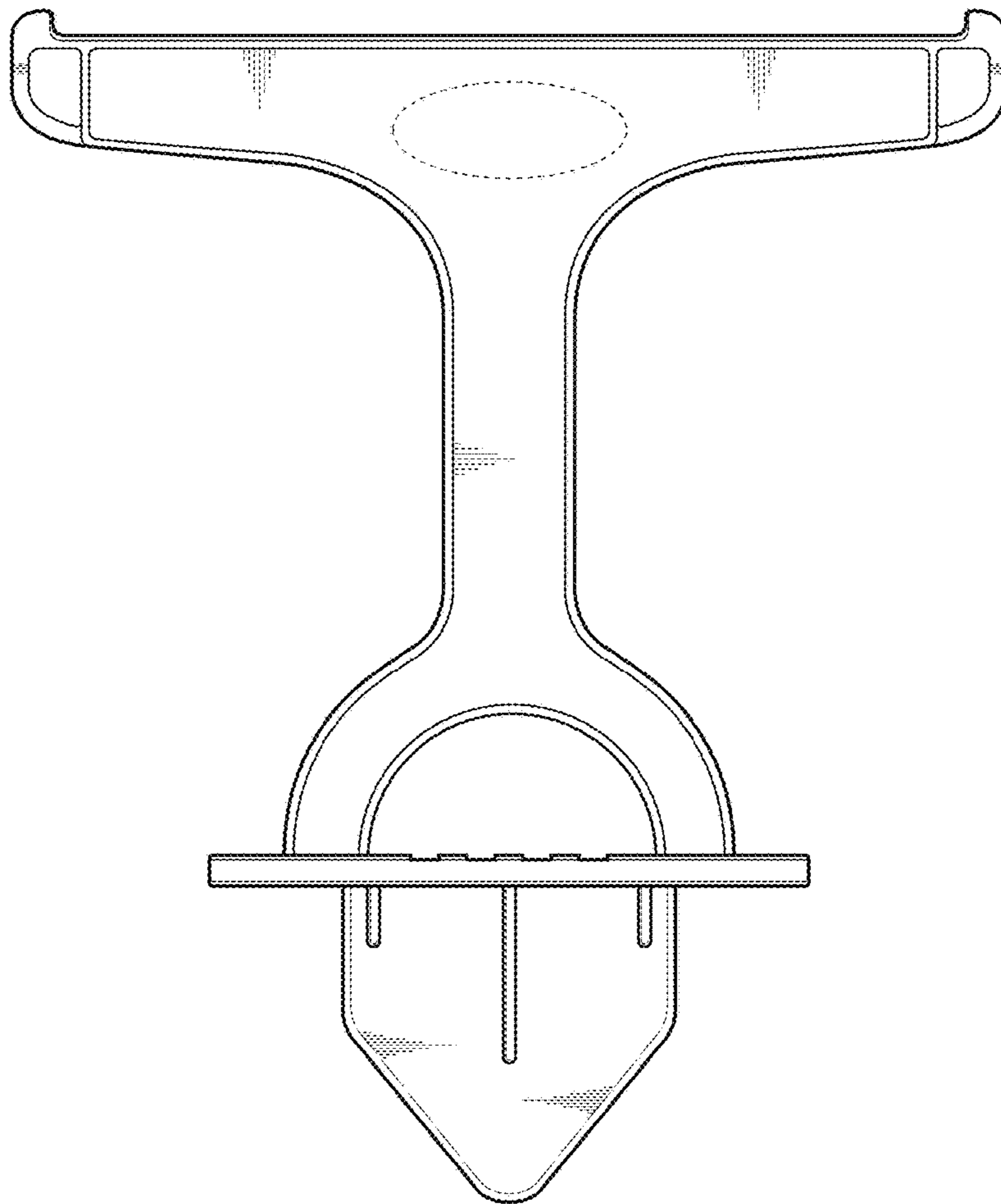


FIG. 4

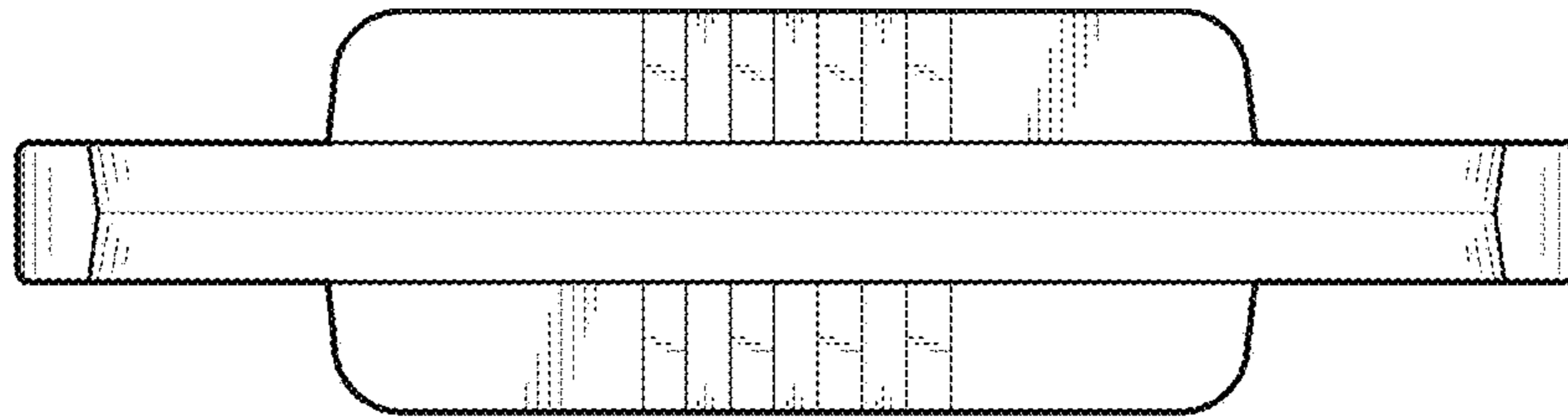


FIG. 5

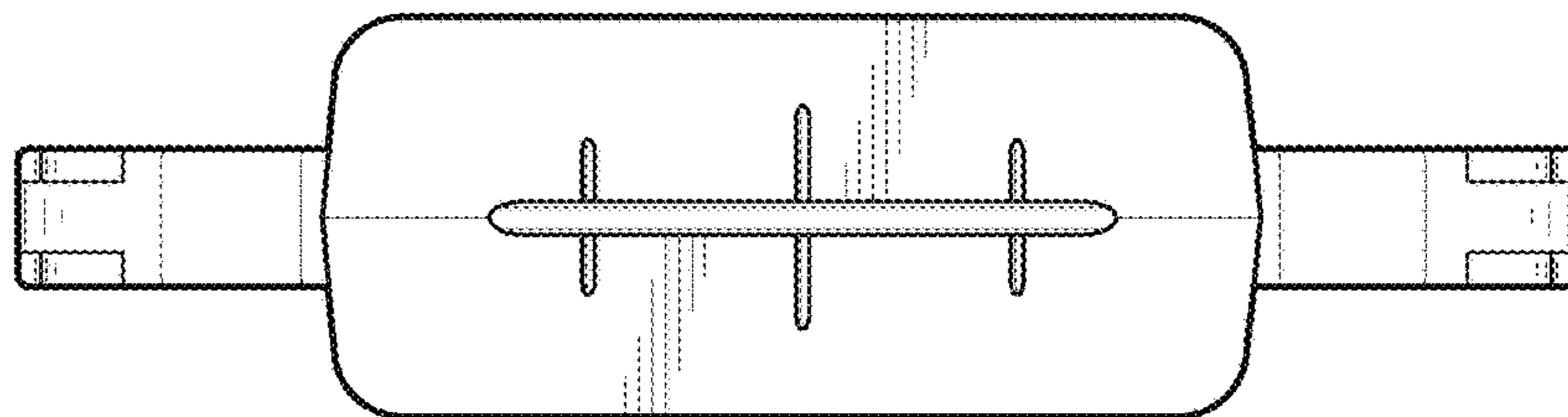


FIG. 6