



US00D802514S

(12) **United States Design Patent** (10) **Patent No.:** **US D802,514 S**  
**Smith** (45) **Date of Patent:** **\*\* Nov. 14, 2017**

(54) **TAILGATE STRAP CONNECTOR**  
(71) Applicant: **Robert M. Smith**, Conneautville, PA (US)  
(72) Inventor: **Robert M. Smith**, Conneautville, PA (US)  
(73) Assignee: **BNR Motorsports LLC**, North Lima, OH (US)  
(\*\*) Term: **15 Years**  
(21) Appl. No.: **29/571,204**  
(22) Filed: **Jul. 15, 2016**  
(51) **LOC (10) Cl.** ..... **12-06**  
(52) **U.S. Cl.**  
USPC ..... **D12/223**; D8/383; D8/44  
(58) **Field of Classification Search**  
USPC .... D12/223, 114, 604, 406, 400; D8/71, 14, D8/51, 394, 356, 382, 44, 383; D11/216  
CPC ..... A44B 11/02; A44B 11/125; A44B 11/16; B60P 7/0823; B60P 7/083; B60P 7/0838; Y10T 24/2175; Y10T 24/2113; Y10T 24/2117; Y10T 24/2143; Y10T 24/2147  
See application file for complete search history.

(56) **References Cited**  
U.S. PATENT DOCUMENTS  
3,678,542 A \* 7/1972 Prete, Jr. .... B60P 7/0823 24/170  
D274,861 S \* 7/1984 Lindblad ..... D11/216  
D303,232 S \* 9/1989 Lortz ..... D11/216  
5,291,638 A \* 3/1994 Huang ..... A44B 11/14 24/170  
D377,155 S \* 1/1997 Takimoto ..... D11/216  
5,920,963 A \* 7/1999 Chou ..... F16G 11/106 24/170  
D414,401 S \* 9/1999 Aganian ..... D11/218  
6,381,810 B2 \* 5/2002 Hsieh ..... A44B 11/06 24/170

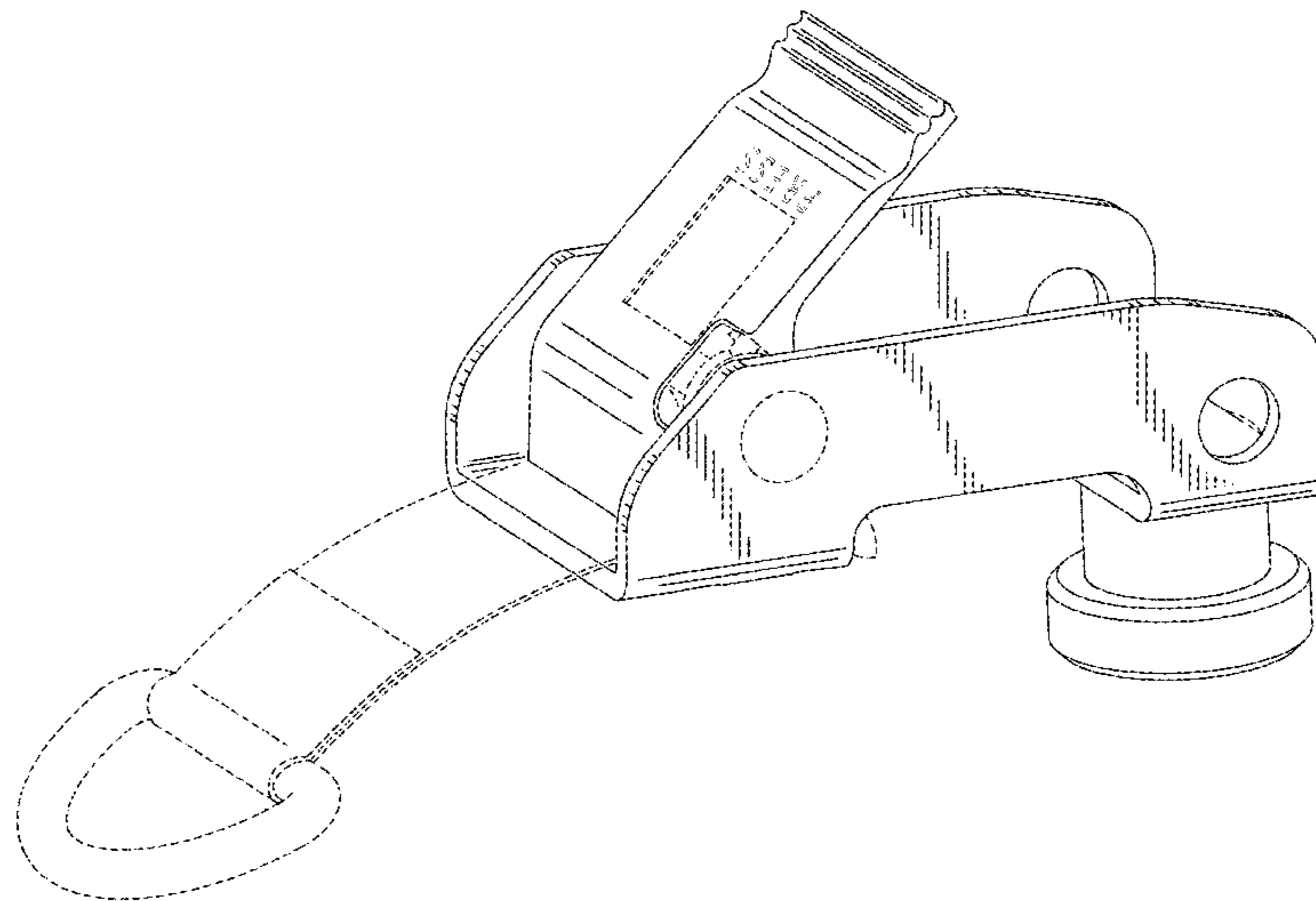
D514,021 S \* 1/2006 Chang ..... D11/216  
D514,409 S \* 2/2006 Kopp ..... D8/44  
D637,478 S \* 5/2011 Kalbach ..... D8/383  
D682,153 S \* 5/2013 Dickey ..... D11/216  
D781,744 S \* 3/2017 Szewczyk ..... D11/216  
2008/0010791 A1\* 1/2008 Huang ..... B60P 7/0823 24/68 CD  
2010/0192336 A1\* 8/2010 Lu ..... A44B 11/06 24/69 ST  
2011/0041301 A1\* 2/2011 Liang ..... A44B 11/125 24/68 CD

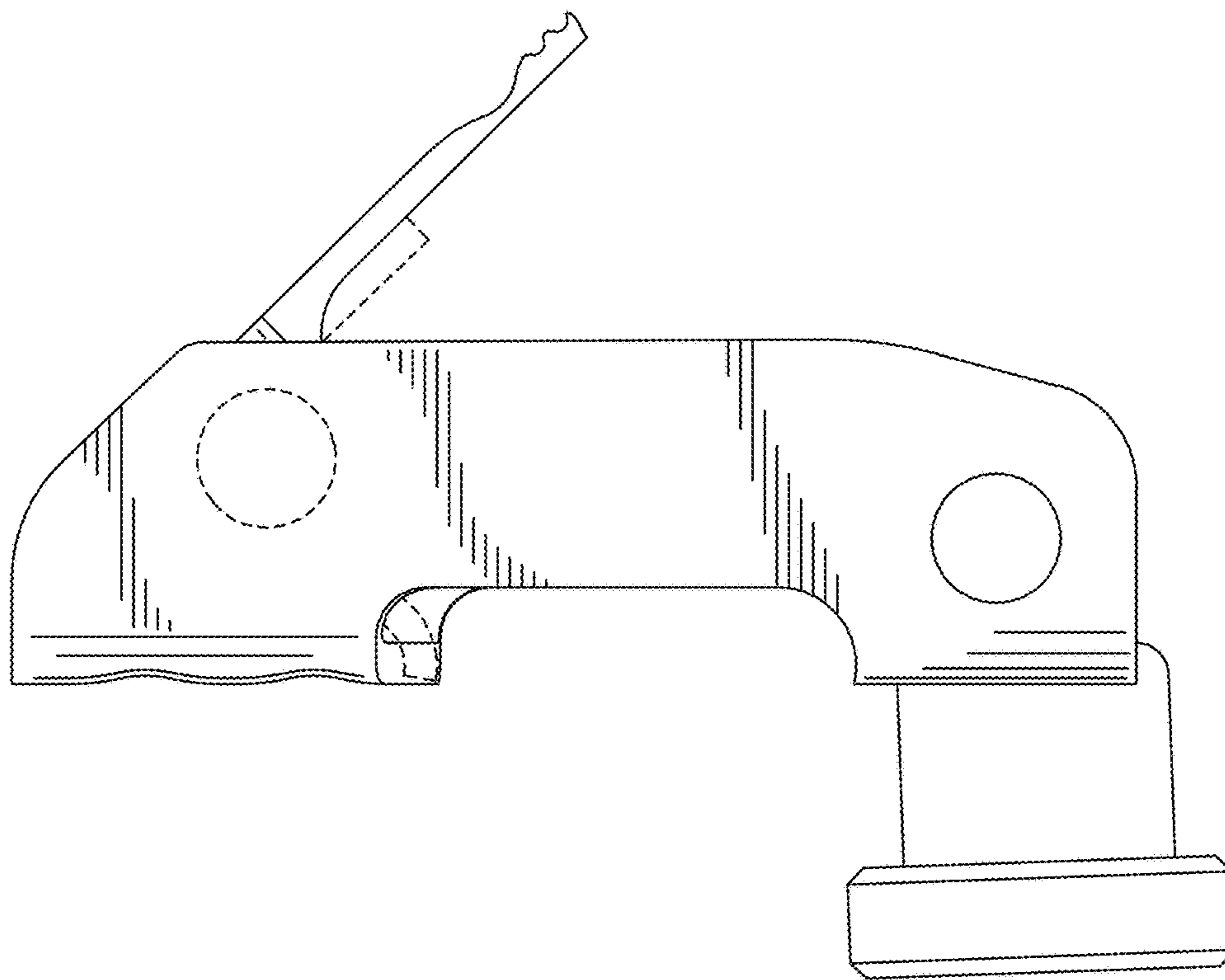
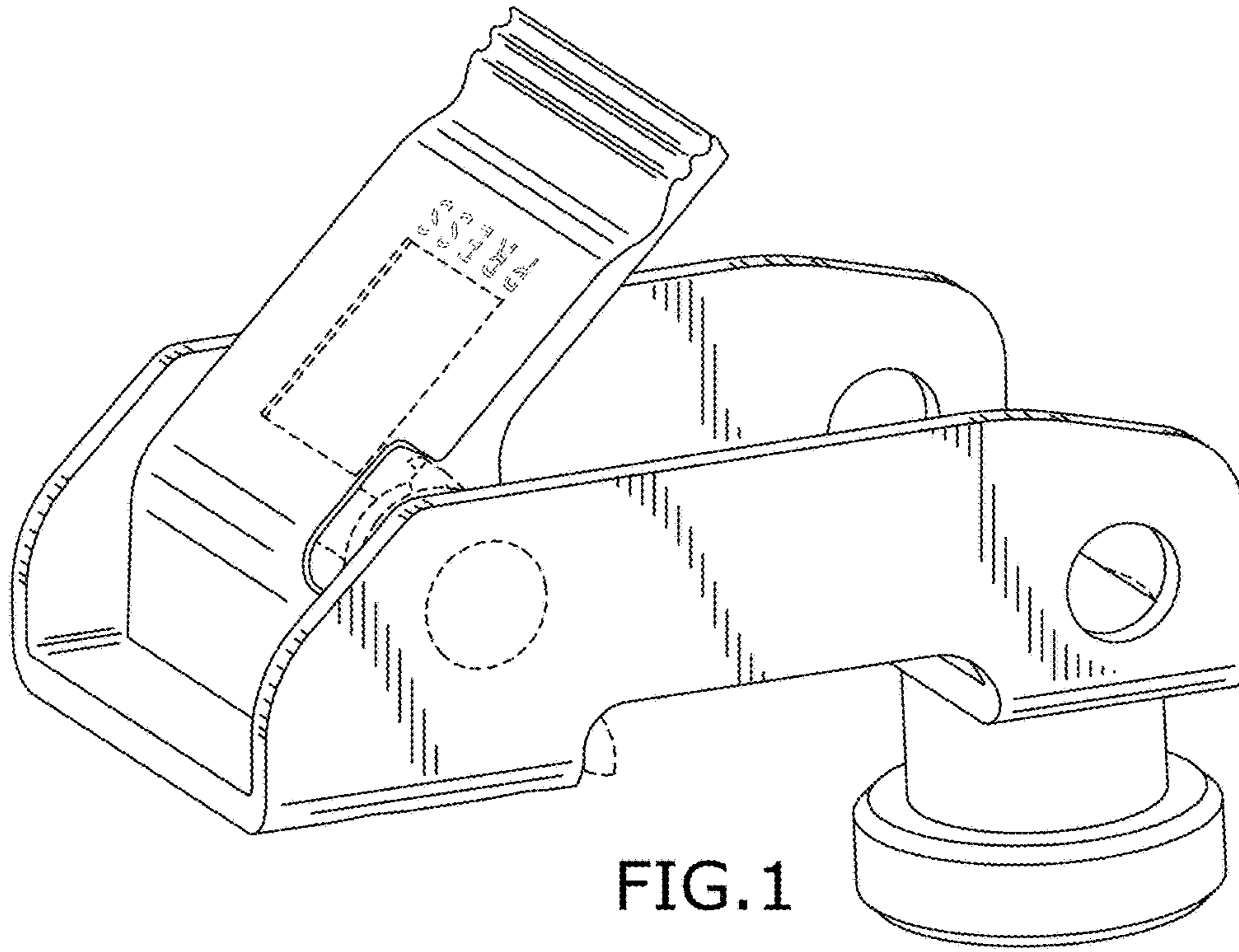
\* cited by examiner  
*Primary Examiner* — Sandra Snapp  
*Assistant Examiner* — Ieisha Price  
(74) *Attorney, Agent, or Firm* — Dunlap Bennett & Ludwig PLLC

(57) **CLAIM**  
The ornamental design for a tailgate strap connector, as shown and described.

**DESCRIPTION**  
FIG. 1 is a perspective view of a tailgate strap connector, showing my new design;  
FIG. 2 is a right side elevation view thereof;  
FIG. 3 is a left side elevation view thereof;  
FIG. 4 is a front elevation view thereof;  
FIG. 5 is a rear elevation view thereof;  
FIG. 6 is a top plan view thereof;  
FIG. 7 is a bottom plan view thereof; and,  
FIG. 8 is a perspective view of the tailgate strap connector, shown in use.  
The broken lines showing the tailgate strap in FIG. 8 depicts environmental subject matter that forms no part of the claimed design, while the remaining broken lines shown in the drawings depict portions of the tailgate strap connector that form no part of the claimed design.

**1 Claim, 4 Drawing Sheets**





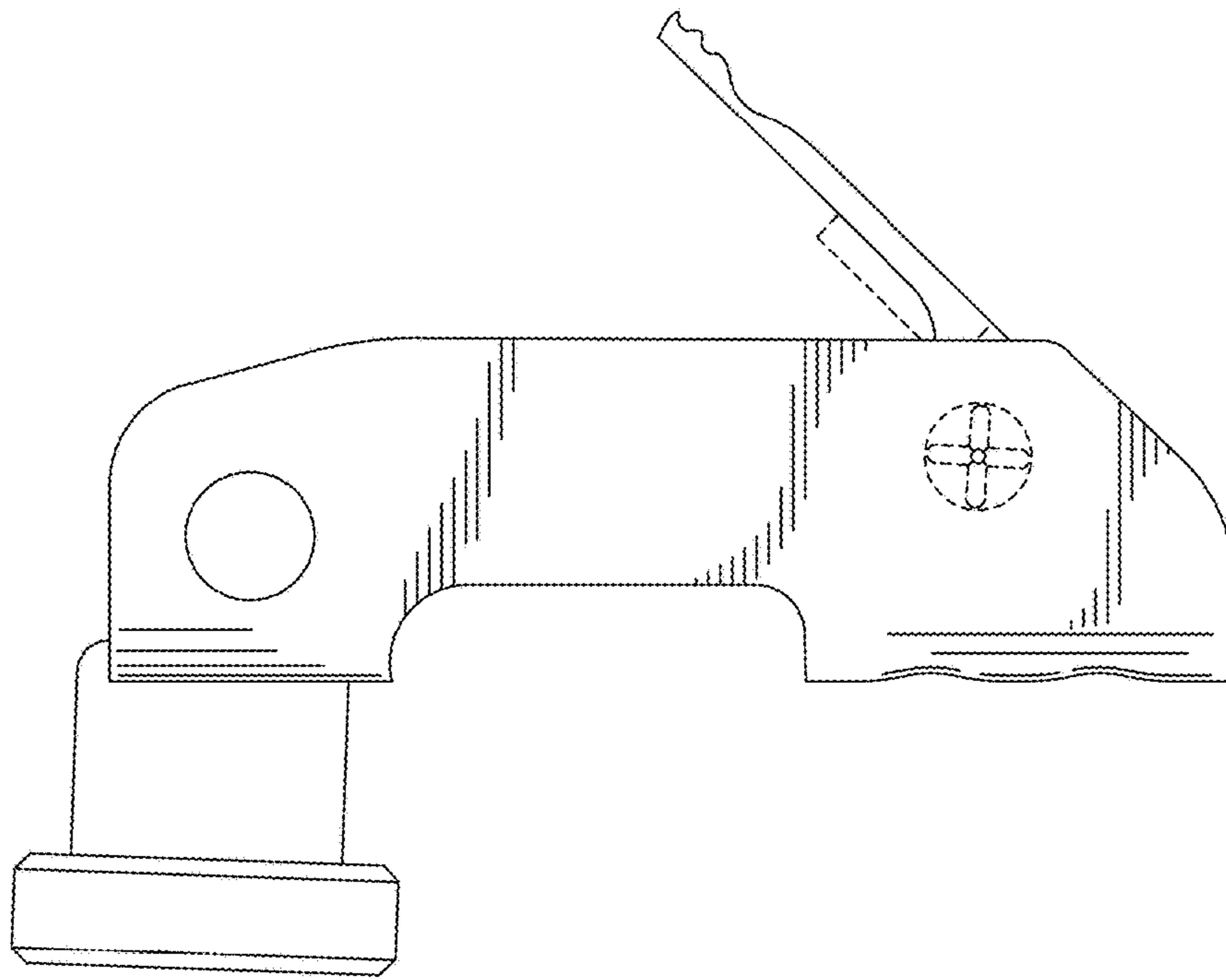


FIG. 3

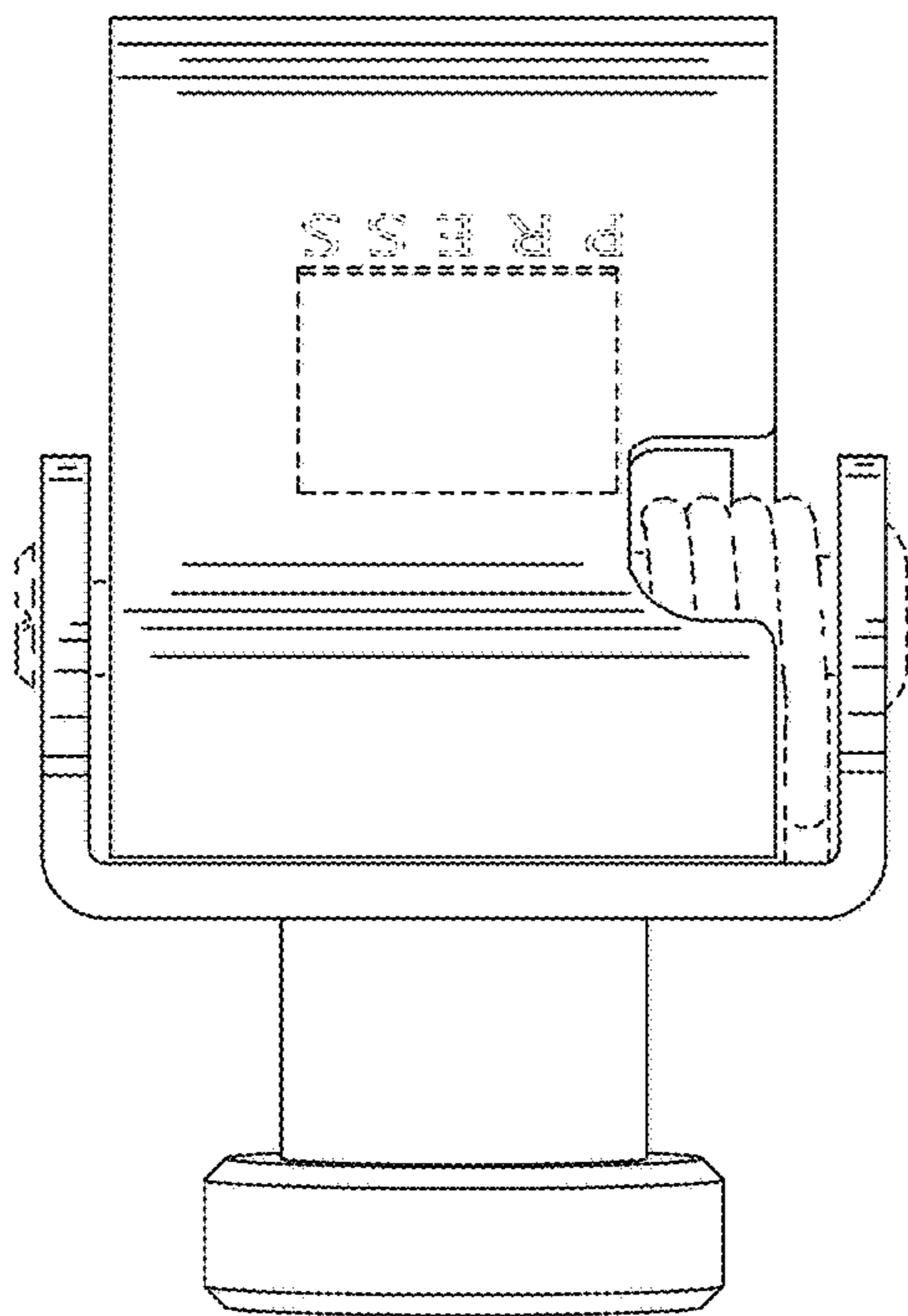


FIG. 4

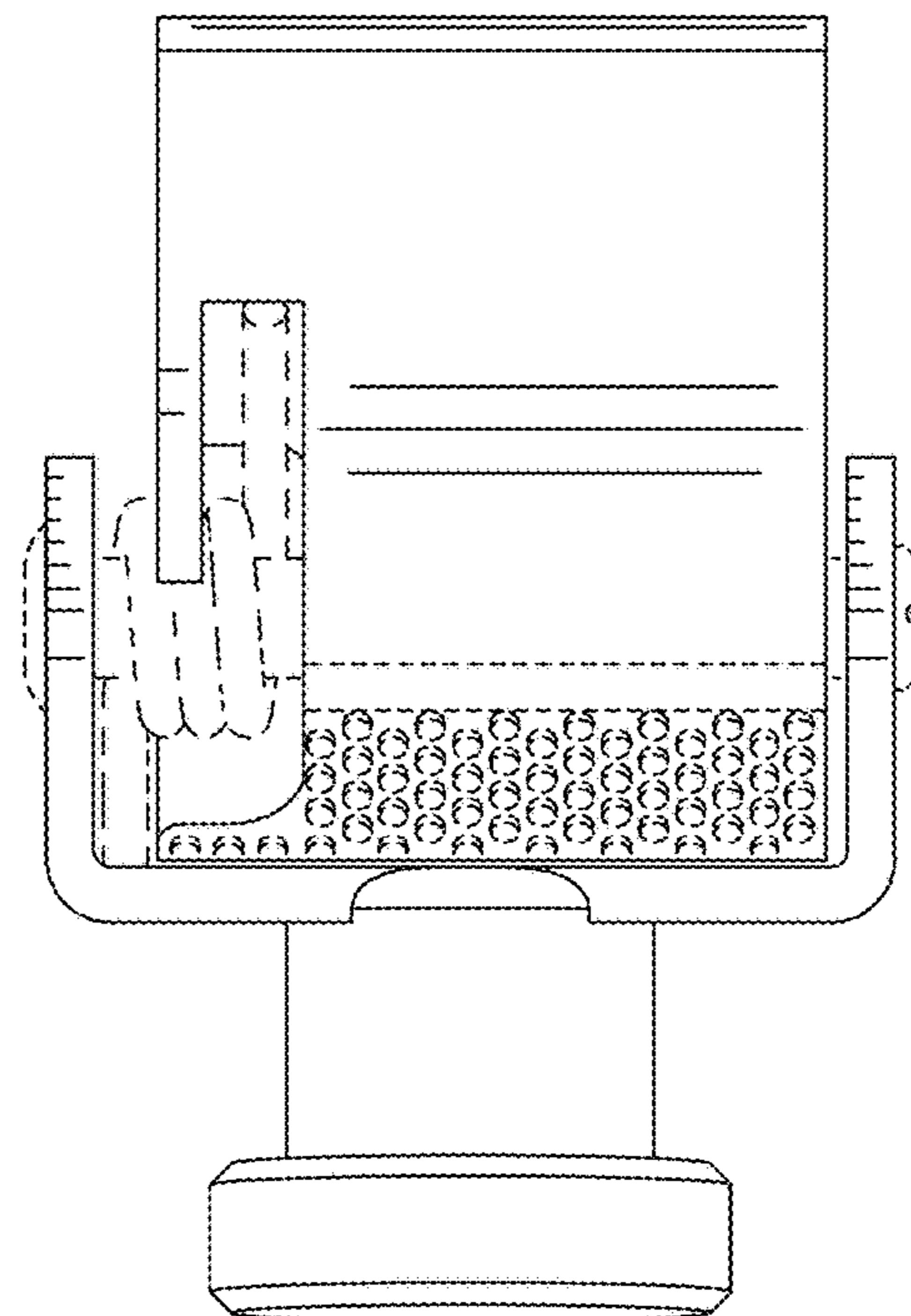


FIG. 5

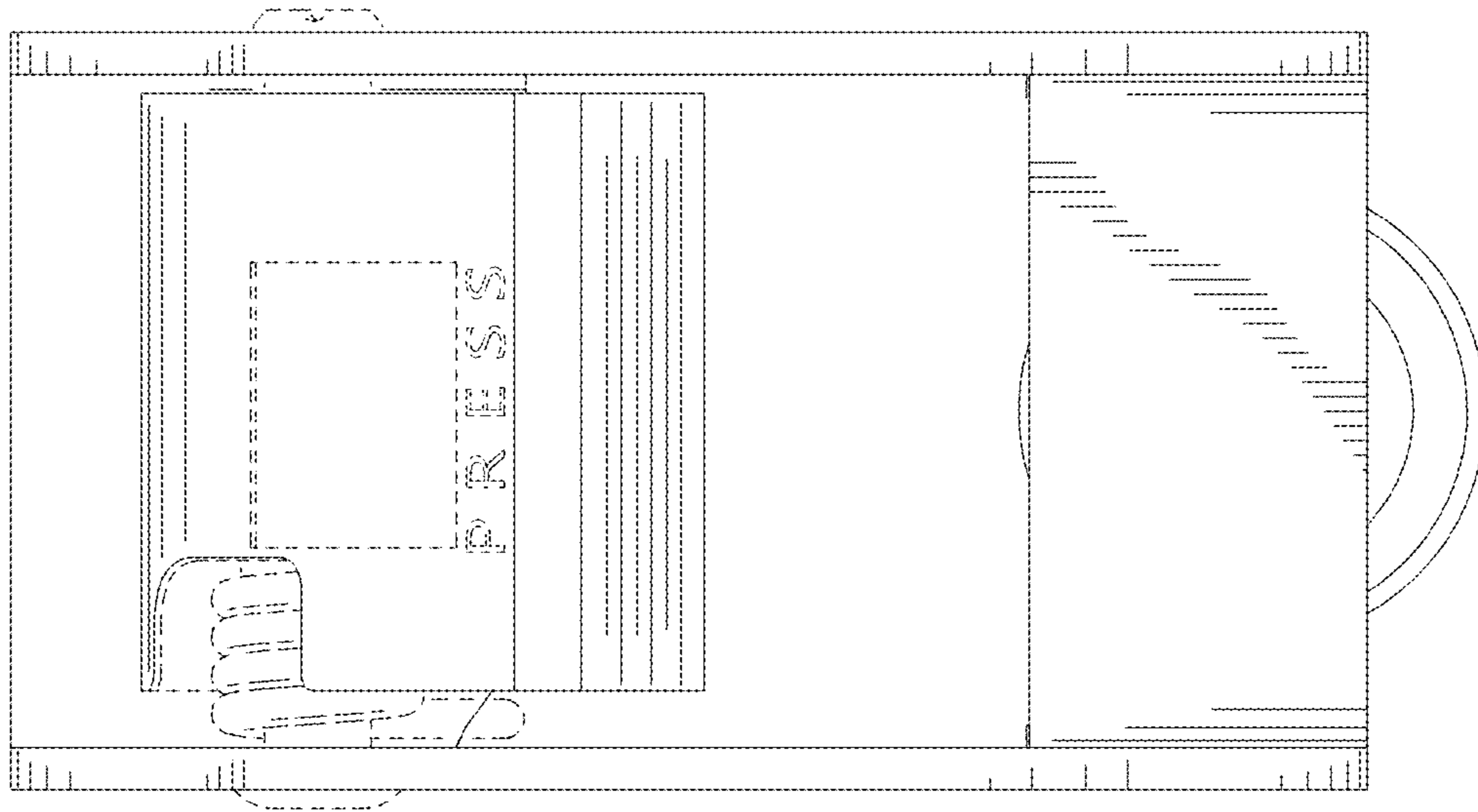


FIG. 6

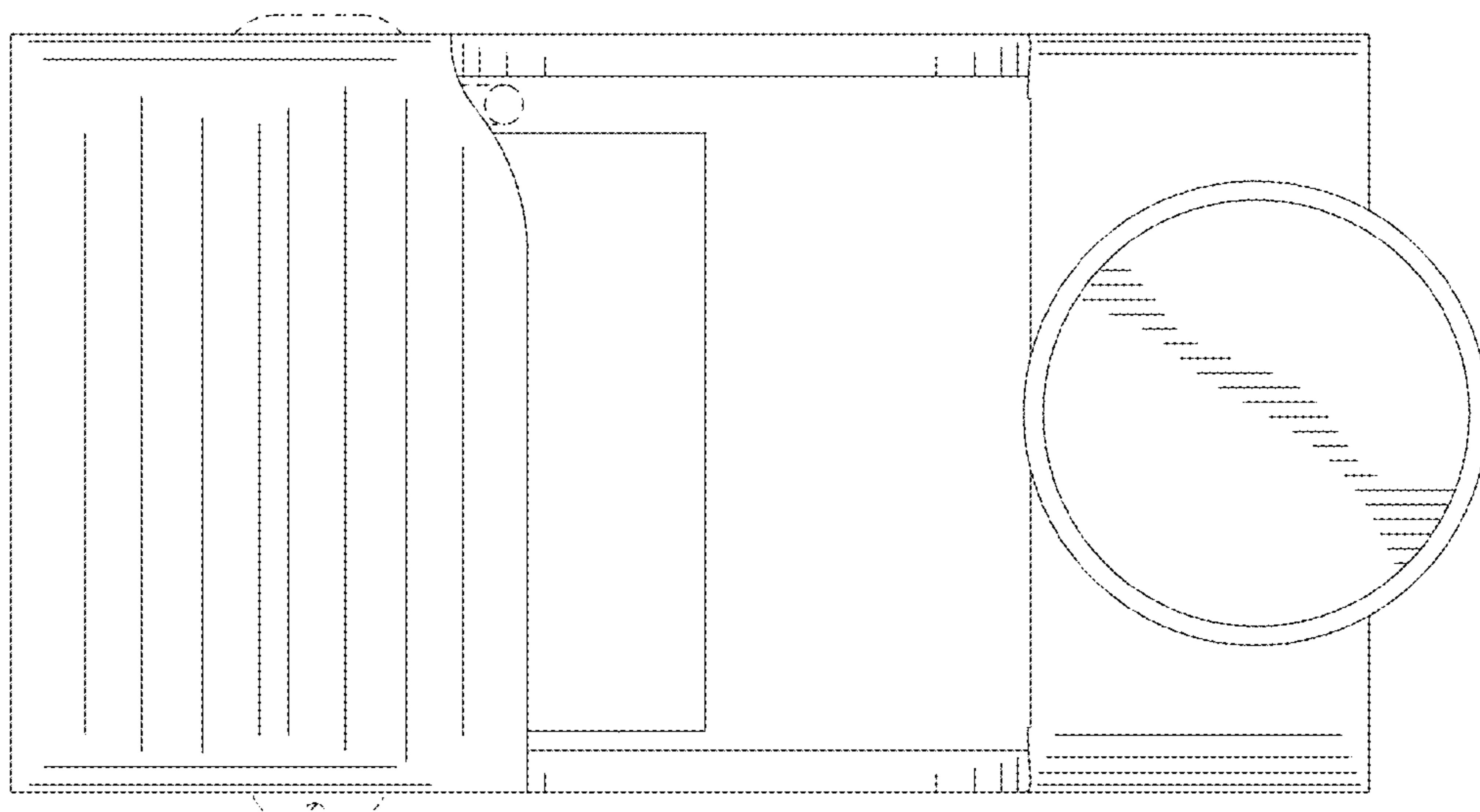


FIG. 7

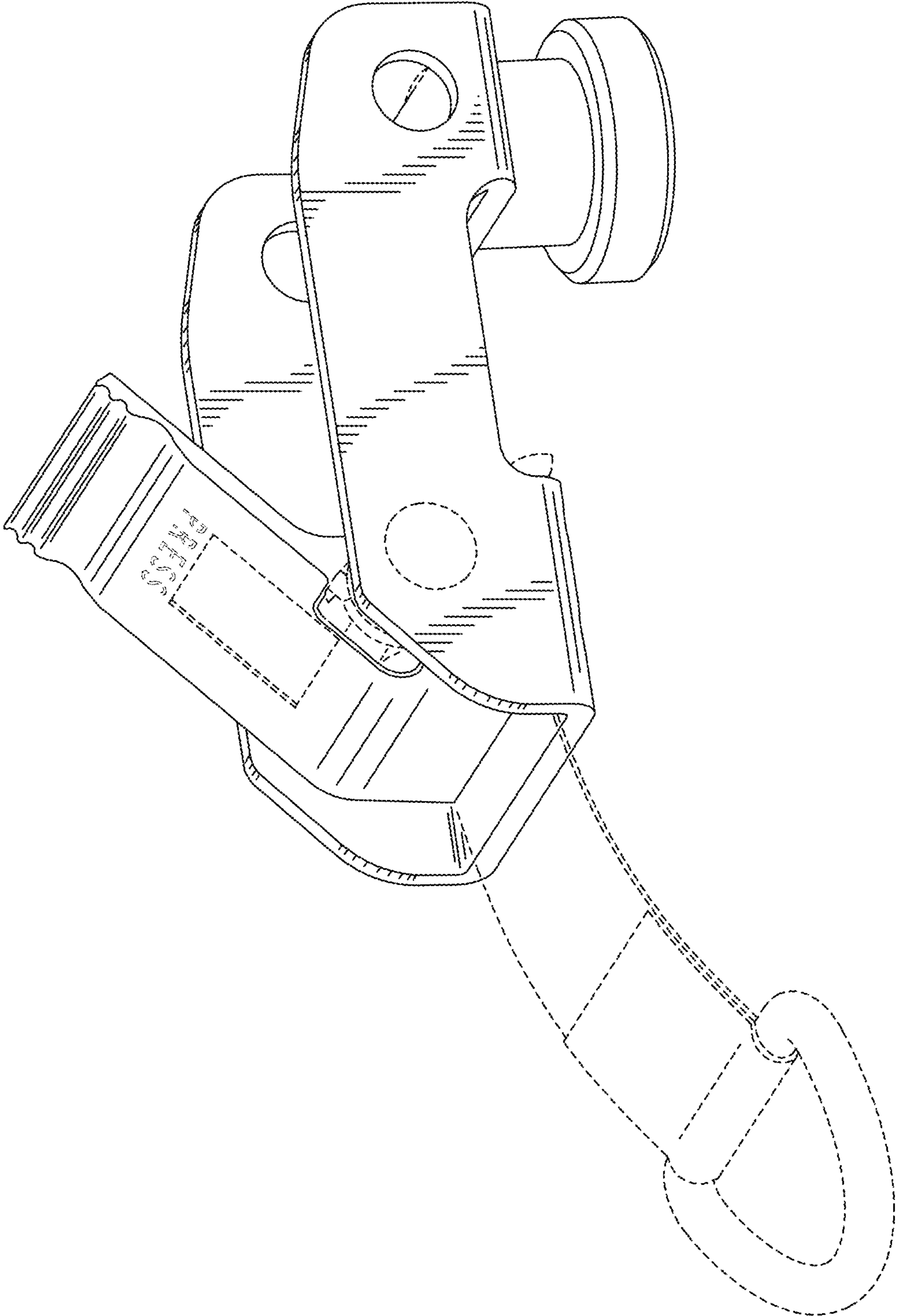


FIG.8