



US00D802509S

(12) **United States Design Patent**  
**Tran**

(10) **Patent No.:** **US D802,509 S**

(45) **Date of Patent:** **\*\* Nov. 14, 2017**

(54) **WHEEL**

(71) Applicant: **Wheel Pros, LLC**, Greenwood Village, CO (US)

(72) Inventor: **Peter Tran**, Lake Hughes, CA (US)

(\*\*) Term: **15 Years**

(21) Appl. No.: **29/579,569**

(22) Filed: **Sep. 30, 2016**

(51) **LOC (10) Cl.** ..... **12-16**

(52) **U.S. Cl.**  
USPC ..... **D12/209**

(58) **Field of Classification Search**  
USPC ..... D12/204–213  
CPC .... B60B 7/00; B60B 7/02; B60B 7/04; B60B 7/01; B60B 7/06; B60B 3/02; B60B 3/04; B60B 3/06; B60B 3/10; B60B 1/00; B60B 1/08; B60B 1/10; B60B 1/12

See application file for complete search history.

|              |         |            |       |         |
|--------------|---------|------------|-------|---------|
| D470,812 S * | 2/2003  | Chu        | ..... | D12/211 |
| D478,542 S   | 8/2003  | Sulahian   |       |         |
| D482,996 S   | 12/2003 | Sulahian   |       |         |
| D486,110 S * | 2/2004  | Elmitt     | ..... | D12/211 |
| D492,925 S   | 7/2004  | Fitzgerald |       |         |
| D496,317 S   | 9/2004  | Kataoka    |       |         |
| D501,440 S * | 2/2005  | Pfeiffer   | ..... | D12/211 |
| D522,429 S * | 6/2006  | Ishiwata   | ..... | D12/209 |
| D524,219 S * | 7/2006  | Scheu      | ..... | D12/211 |
| D569,777 S   | 5/2008  | Chung      |       |         |
| D576,936 S   | 9/2008  | Imai       |       |         |
| D578,457 S   | 10/2008 | Guidry     |       |         |
| D580,335 S * | 11/2008 | Choi       | ..... | D12/211 |
| D598,357 S   | 8/2009  | Chung      |       |         |
| D614,109 S * | 4/2010  | Tant       | ..... | D12/211 |
| D614,111 S * | 4/2010  | Tant       | ..... | D12/211 |
| D620,421 S * | 7/2010  | Lamm       | ..... | D12/209 |
| D638,767 S   | 5/2011  | Groom      |       |         |
| D668,196 S * | 10/2012 | Tant       | ..... | D12/209 |
| D669,009 S   | 10/2012 | Chung      |       |         |
| D688,195 S * | 8/2013  | Robinson   | ..... | D12/409 |
| D695,193 S   | 12/2013 | Kong       |       |         |
| D698,298 S   | 1/2014  | Cortes     |       |         |
| D698,300 S   | 1/2014  | Chung      |       |         |
| D706,695 S * | 6/2014  | Platto     | ..... | D12/209 |
| D706,699 S * | 6/2014  | Platto     | ..... | D12/211 |

(Continued)

(56) **References Cited**

**U.S. PATENT DOCUMENTS**

|              |         |           |       |         |
|--------------|---------|-----------|-------|---------|
| D273,102 S   | 3/1984  | Woodward  |       |         |
| D291,796 S   | 9/1987  | Reid      |       |         |
| D361,975 S   | 9/1995  | Weld      |       |         |
| D368,884 S * | 4/1996  | Cole      | ..... | D12/209 |
| D391,216 S * | 2/1998  | Bollmann  | ..... | D12/209 |
| D392,930 S * | 3/1998  | Embrador  | ..... | D12/209 |
| D408,775 S   | 4/1999  | Shikado   |       |         |
| D425,006 S * | 5/2000  | Harlessem | ..... | D12/209 |
| D450,026 S * | 11/2001 | Donikoglu | ..... | D12/209 |
| D453,492 S * | 2/2002  | Laengerer | ..... | D12/209 |
| D453,724 S   | 2/2002  | Hodges    |       |         |
| D455,692 S * | 4/2002  | Iguchi    | ..... | D12/209 |
| D455,698 S   | 4/2002  | Chung     |       |         |
| D464,010 S   | 10/2002 | Chung     |       |         |
| D467,212 S   | 12/2002 | Noriega   |       |         |

*Primary Examiner* — Stacia Cadmus

(74) *Attorney, Agent, or Firm* — Eric Hanscom

(57) **CLAIM**

The ornamental design for a wheel, as shown and described.

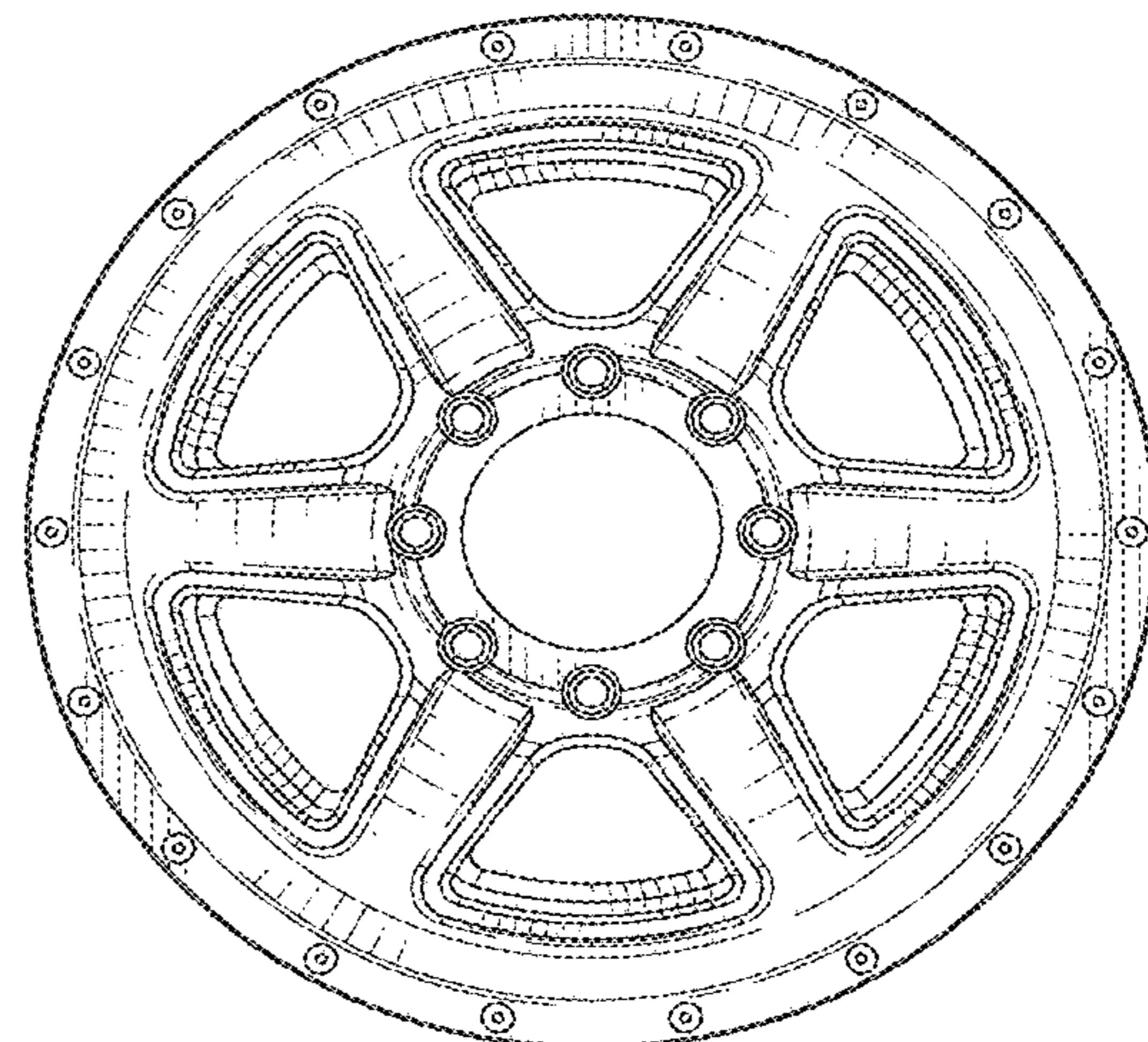
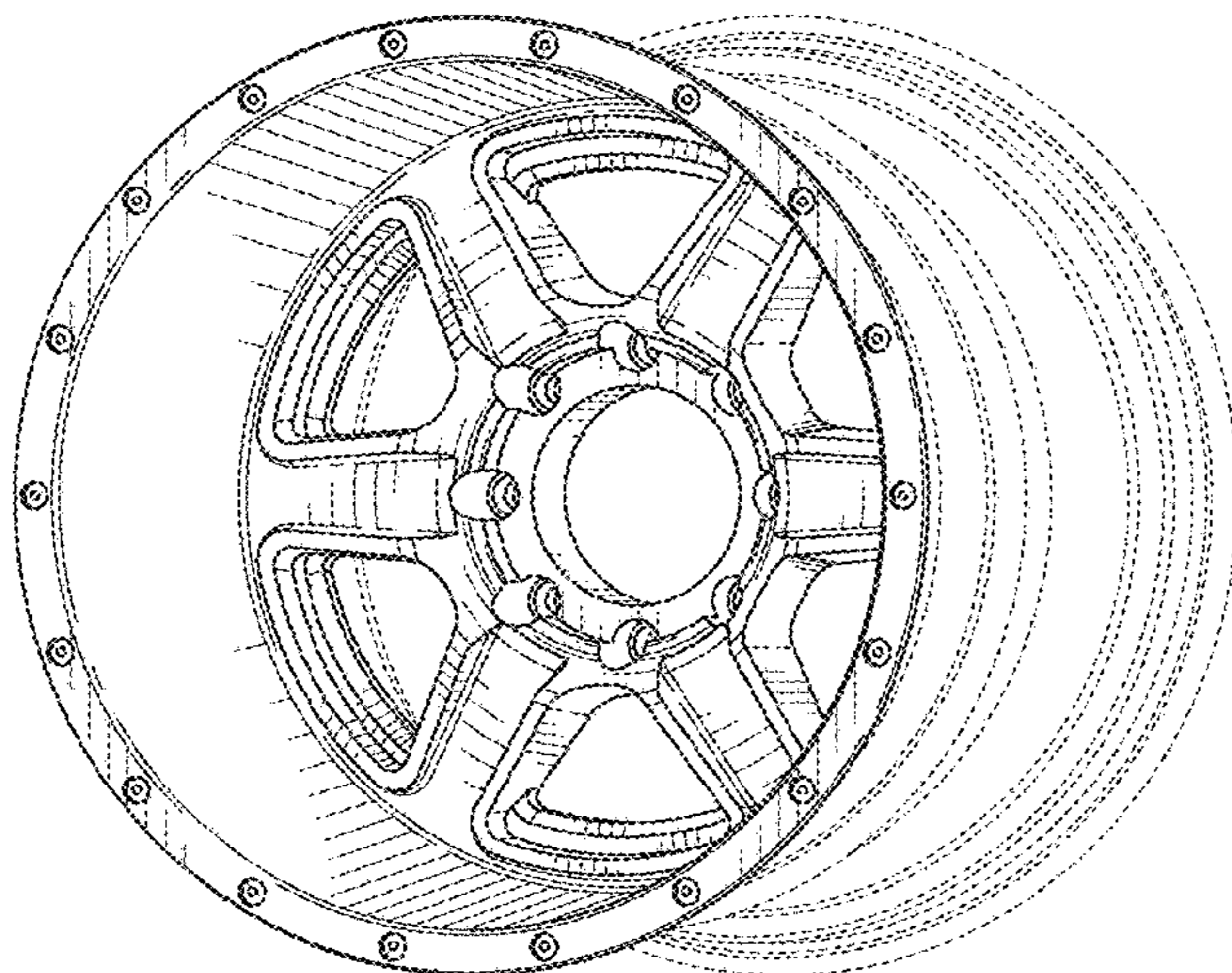
**DESCRIPTION**

FIG. 1 is a perspective view of a wheel showing my new design; and,

FIG. 2 is a front view thereof.

In the drawings, broken lines shown in the drawings depict environmental subject matter only and form no part of the claimed design.

**1 Claim, 2 Drawing Sheets**



(56)

**References Cited**

U.S. PATENT DOCUMENTS

|              |         |              |         |
|--------------|---------|--------------|---------|
| D708,108 S * | 7/2014  | Wheel .....  | D12/209 |
| D708,111 S * | 7/2014  | Platto ..... | D12/211 |
| D711,304 S   | 8/2014  | Chung        |         |
| D715,211 S   | 10/2014 | Gotschke     |         |
| D719,889 S * | 12/2014 | Hodges ..... | D12/209 |
| D723,994 S * | 3/2015  | Chung .....  | D12/211 |
| D726,628 S   | 4/2015  | Kong         |         |
| D736,132 S * | 8/2015  | Platto ..... | D12/209 |
| D782,950 S * | 4/2017  | Hatton ..... | D12/209 |

\* cited by examiner

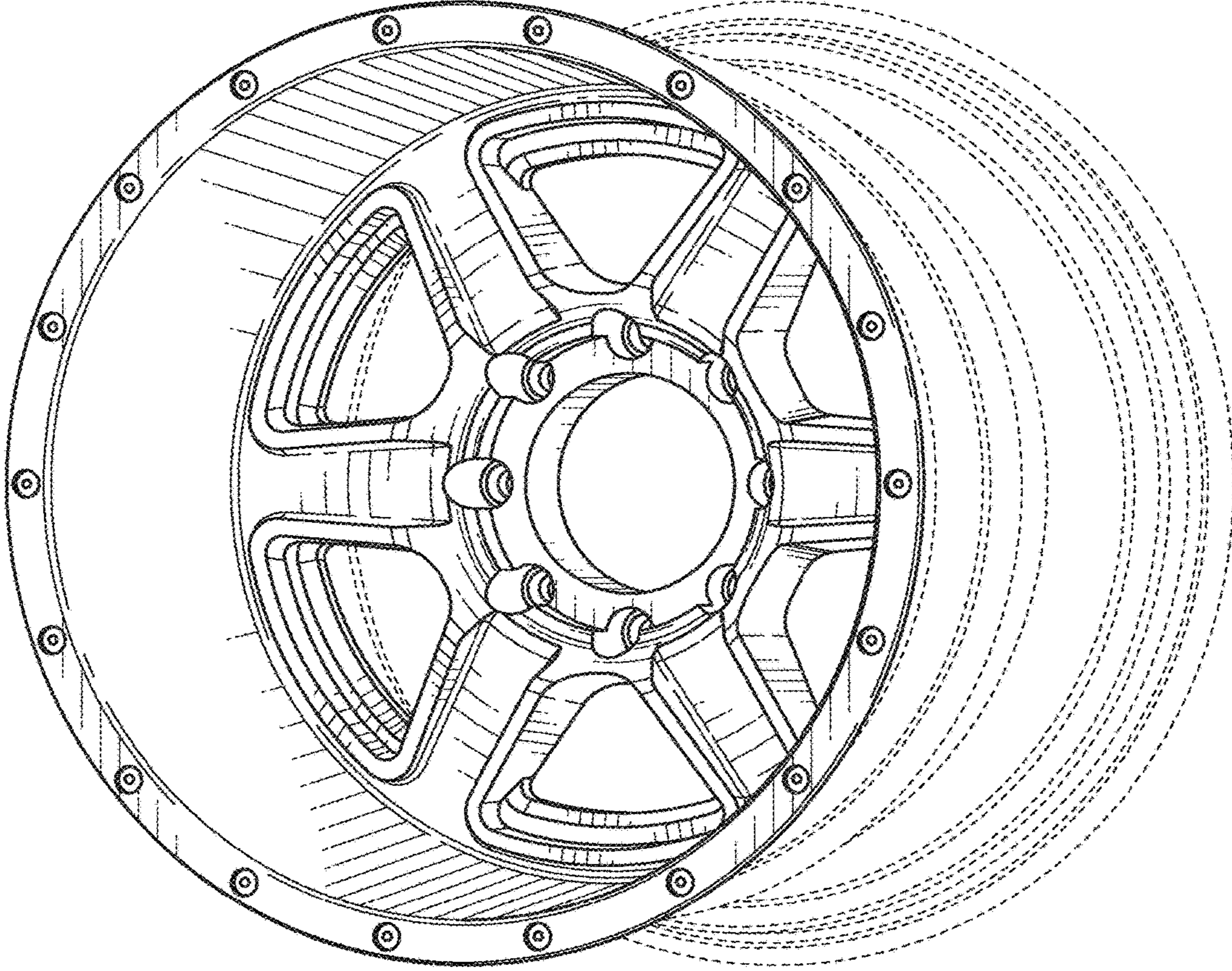


FIG. 1

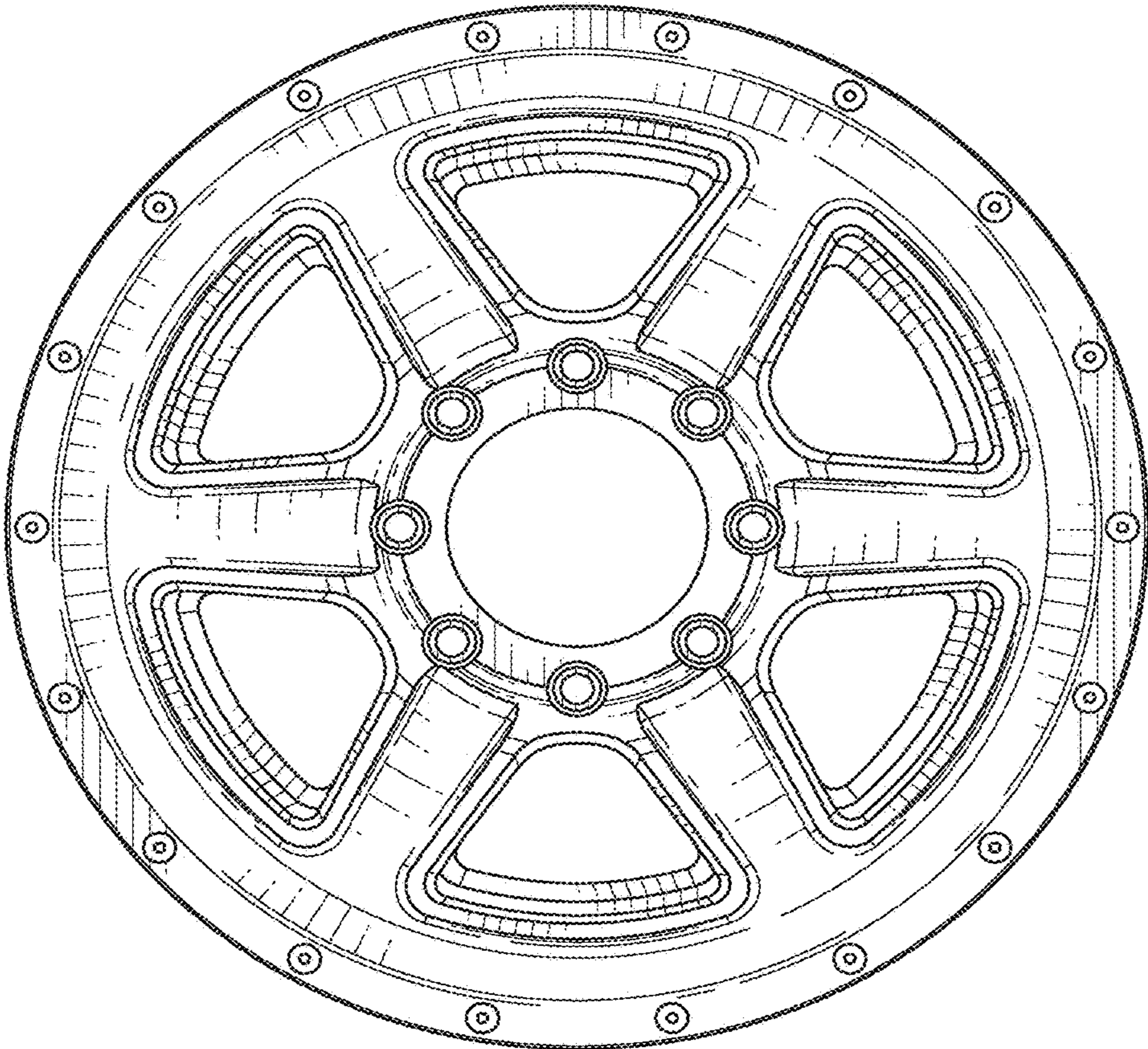


FIG. 2