



US00D802507S

(12) **United States Design Patent**
Ochoa

(10) **Patent No.:** **US D802,507 S**

(45) **Date of Patent:** **** Nov. 14, 2017**

(54) **MUFFLER**

(71) Applicant: **Carven Exhaust**, Riverside, CA (US)

(72) Inventor: **Jeffrey Ochoa**, Temecula, CA (US)

(**) Term: **15 Years**

(21) Appl. No.: **29/555,100**

(22) Filed: **Feb. 18, 2016**

(51) **LOC (10) Cl.** **12-16**

(52) **U.S. Cl.**
USPC **D12/194**

(58) **Field of Classification Search**
USPC D12/190, 194, 42-43, 317, 345, 106,
D12/114, 172
CPC F02B 33/02; F02B 27/00; F02B 27/06;
F01N 1/00; F01N 1/24; F01N 1/04; F01N
3/28; F01N 3/10; F01N 3/035; F01N
3/00; F01N 3/023; F01N 3/025; F01N
3/02; F01N 3/05; F01N 13/00; F01N
13/04; F01N 13/1805; F01N 13/08; F01N
13/082; F01N 7/14; F01N 7/24; F01N
7/08; F01N 7/18; F01N 2340/04; B60K
13/04; B60K 13/00

See application file for complete search history.

(56) **References Cited**

U.S. PATENT DOCUMENTS

- 3,361,227 A * 1/1968 Kaari F01N 1/00
181/265
- 5,980,837 A * 11/1999 Umin F01N 3/2853
422/171
- 6,141,958 A * 11/2000 Voss F01N 3/02
138/177
- 6,406,066 B1 * 6/2002 Uegane F01N 13/08
285/124.1
- D575,213 S * 8/2008 Kryssing, Sr. D12/194
- 2001/0035155 A1 * 11/2001 Uegane F01N 13/08
123/322
- 2004/0194447 A1 * 10/2004 Roby F01N 3/0253
60/285

- 2005/0039448 A1 * 2/2005 Terashima F01N 13/08
60/323
- 2007/0227811 A1 * 10/2007 Sakurai F01N 1/003
181/256
- 2008/0092533 A1 * 4/2008 Tennison F01N 13/082
60/317

(Continued)

FOREIGN PATENT DOCUMENTS

- CN 204532496 U * 8/2015
- FR 2930281 A1 * 10/2009 F01N 3/08
- JP 2007153277 A * 6/2007

OTHER PUBLICATIONS

New Carven Exhaust, posted at Ramforum.com, posted on Jun. 4, 2015, site visited Mar. 15, 2017, <http://www.ramforum.com/f44/new_carven_exhaust-68492/>.*

(Continued)

Primary Examiner — Barbara Fox
Assistant Examiner — Messina L Smith
(74) *Attorney, Agent, or Firm* — Todd J. Langford;
Greenspoon Marder, LLP

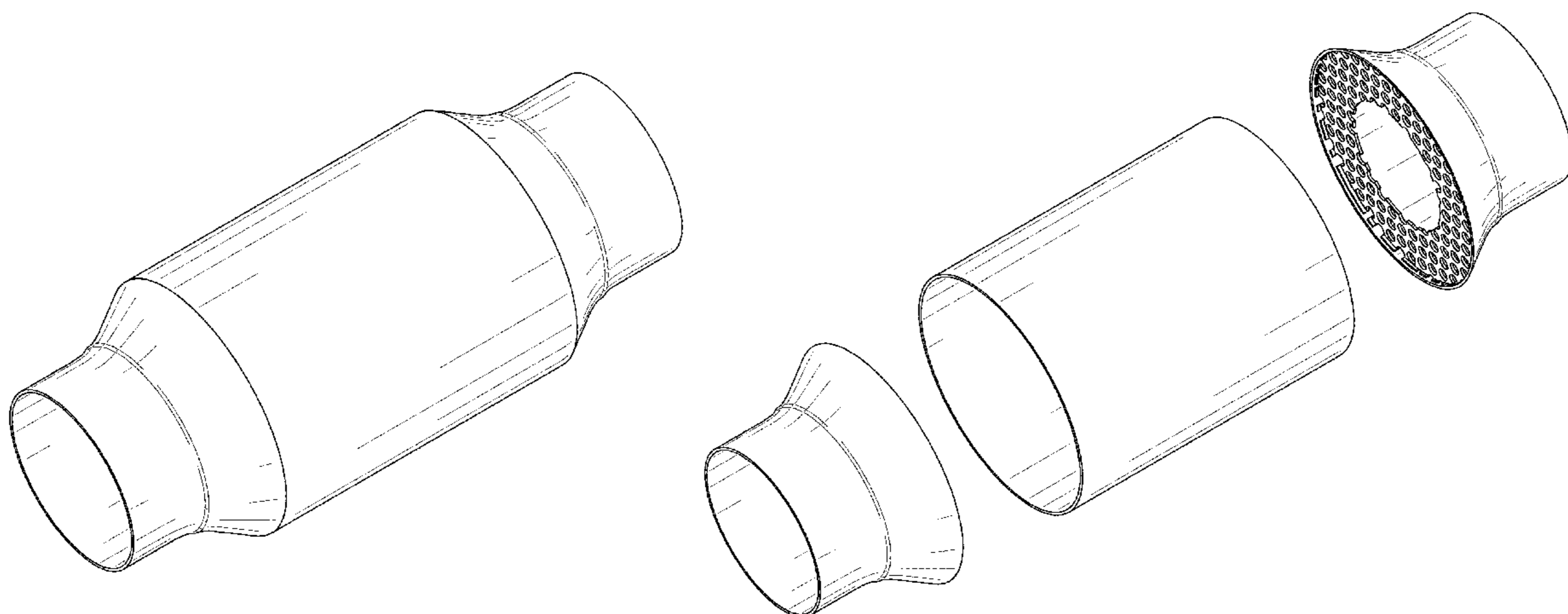
(57) **CLAIM**

The ornamental design for a muffler, as shown and described.

DESCRIPTION

FIG. 1 is a perspective view of a muffler showing the new design;
FIG. 2 is a top view thereof, the left, right, and bottom views being a mirror image;
FIG. 3 is a front view thereof,
FIG. 4 is a back view thereof;
FIG. 5 is an exploded perspective view of FIG. 1; and,
FIG. 6 is an exploded perspective view opposite of that in FIG. 5.

1 Claim, 5 Drawing Sheets



(56)

References Cited

U.S. PATENT DOCUMENTS

2009/0272601 A1* 11/2009 Hagiwara F01N 1/04
181/249
2010/0139253 A1* 6/2010 Kwon F01N 3/033
60/286
2010/0192558 A1* 8/2010 Matsueda B60K 13/04
60/322
2012/0210696 A1* 8/2012 Schmieg B01D 53/9481
60/274
2013/0255238 A1* 10/2013 Murakami F01N 3/2842
60/299
2014/0090364 A1* 4/2014 Bruck F01N 13/1805
60/297
2015/0075160 A1* 3/2015 An F01N 5/025
60/605.1

OTHER PUBLICATIONS

Carven-R Performance Muffler, posted at Carvenexhaust.com,
posted on © 2016, site visited Mar. 15, 2017, <<http://www.carvenexhaust.com/products/performance-mufflers/r-series-muffler.html>>.*

* cited by examiner

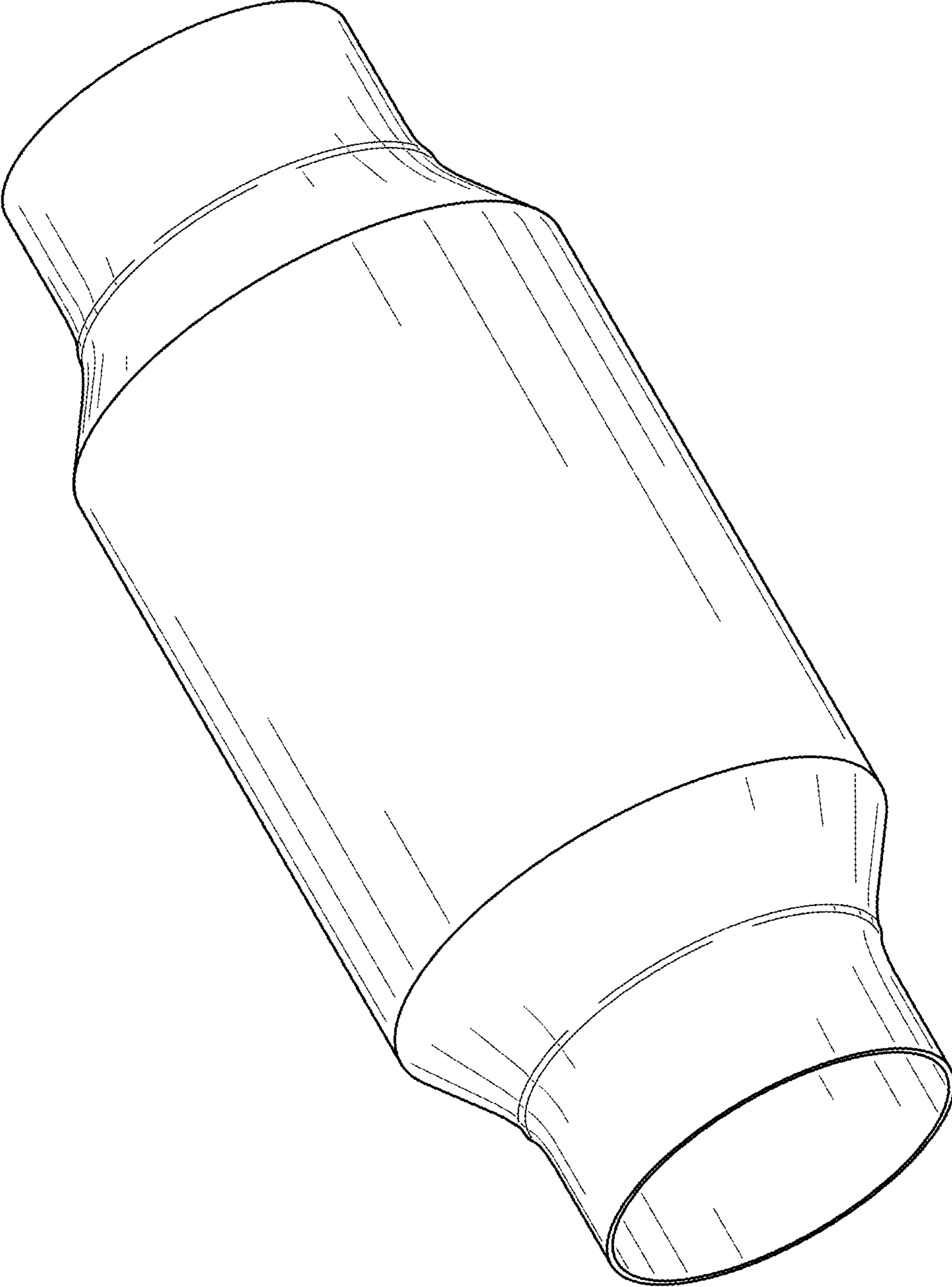


FIG. 1

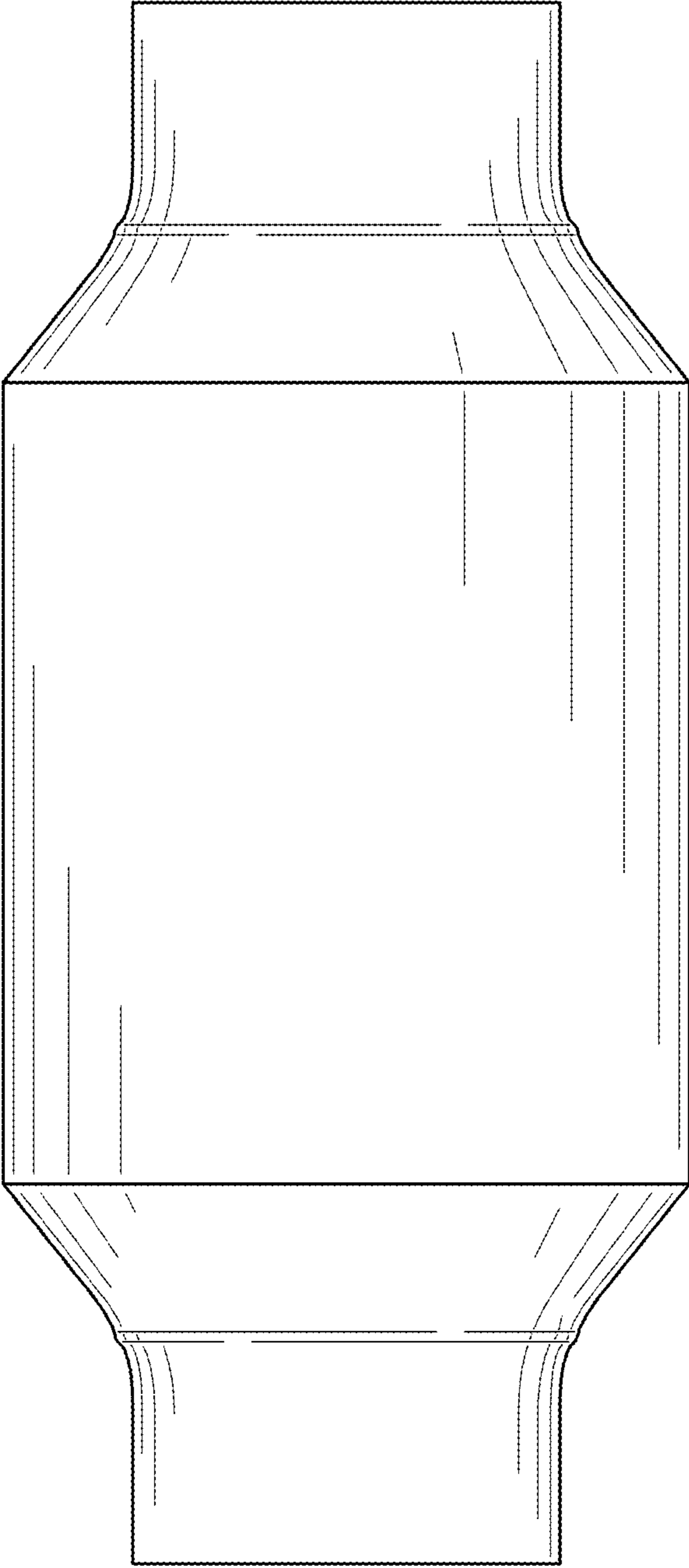


FIG. 2

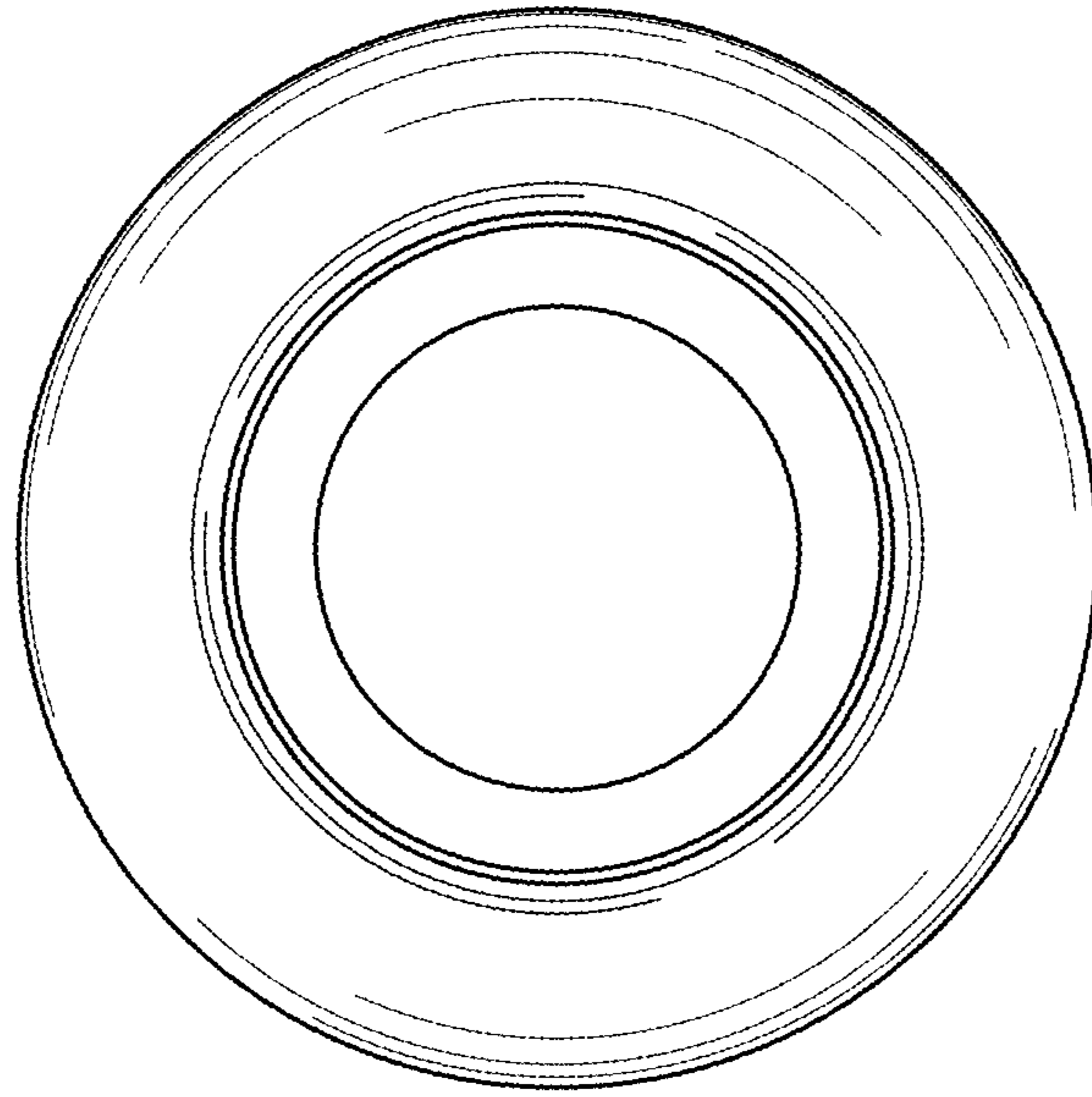


FIG. 4

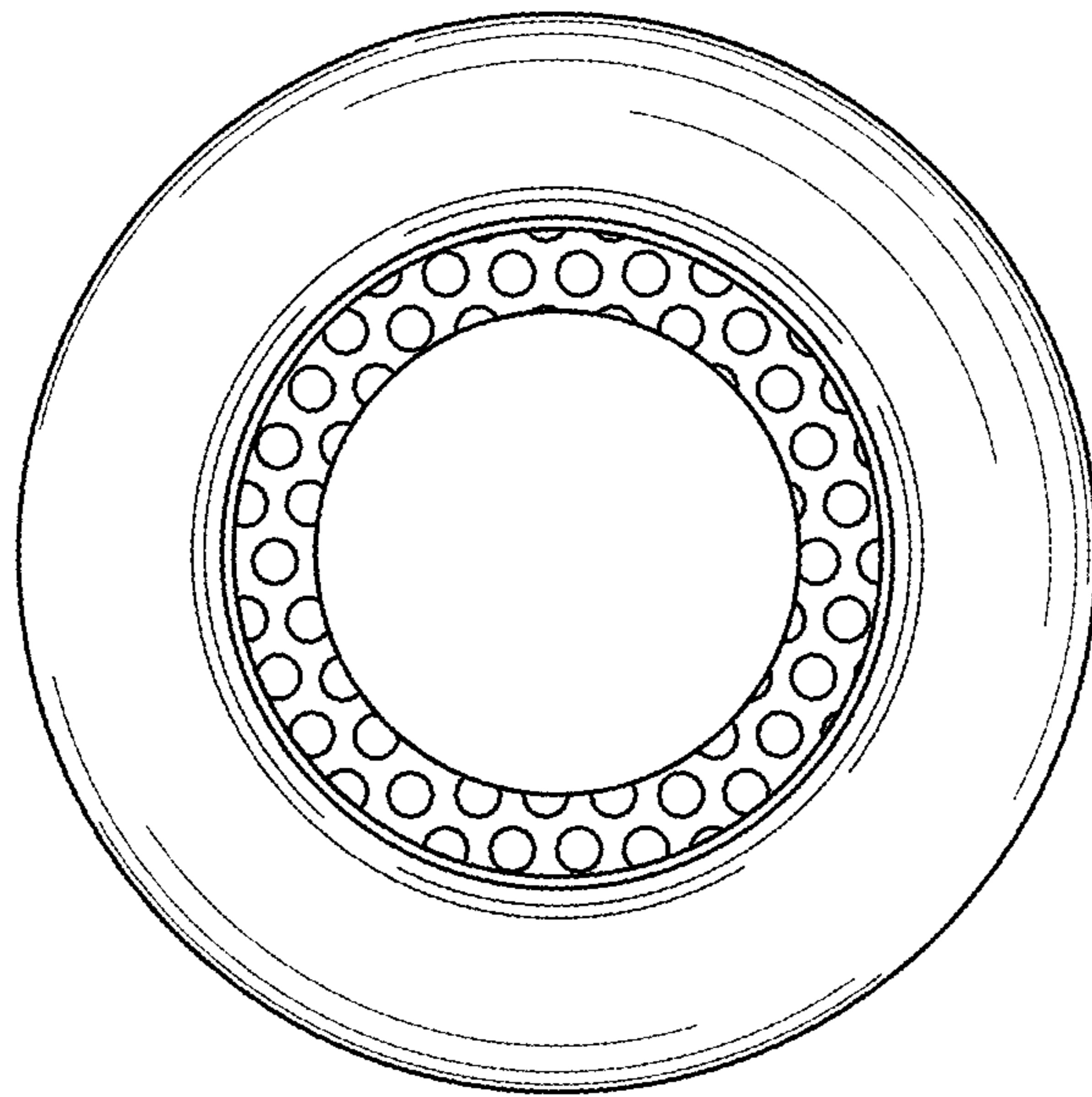


FIG. 3

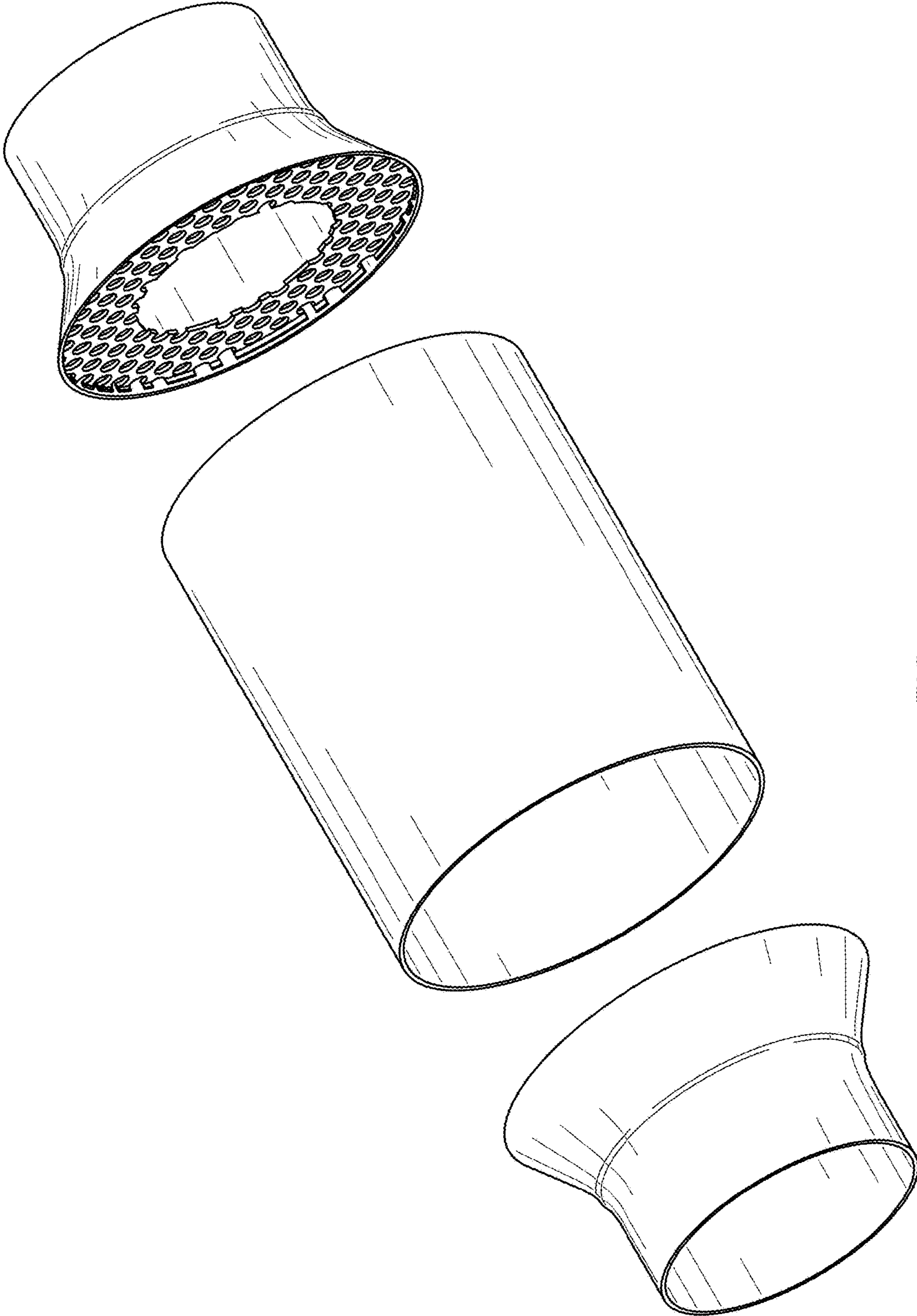


FIG. 5

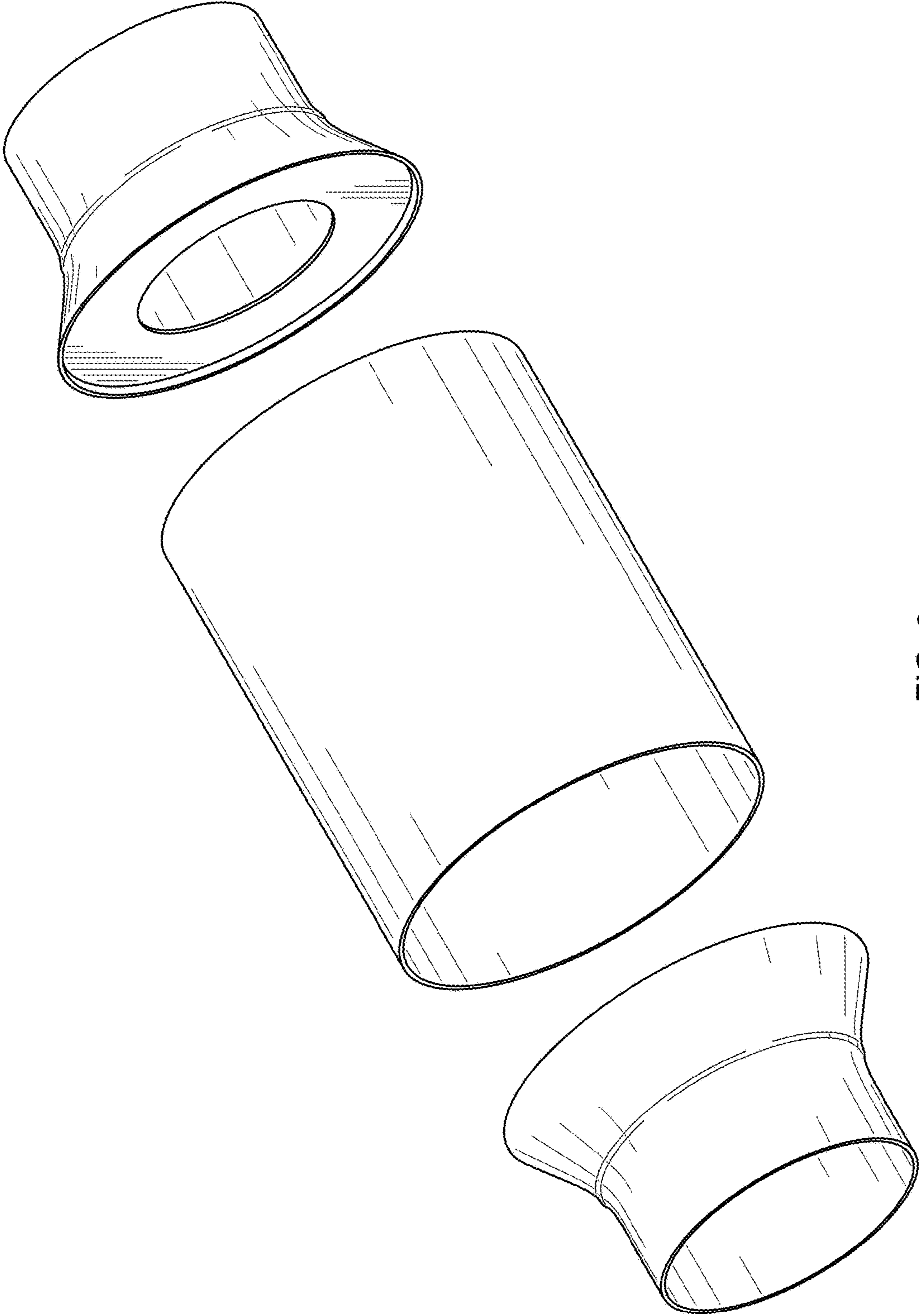


FIG. 6