



US00D802500S

(12) **United States Design Patent** (10) **Patent No.:** **US D802,500 S**
Han (45) **Date of Patent:** **** Nov. 14, 2017**

(54) **REAR BUMPER OF CAR**
(71) Applicant: **GM GLOBAL TECHNOLOGY OPERATIONS LLC**, Detroit, MI (US)
(72) Inventor: **Hongchul Han**, Incheon (KR)
(73) Assignee: **GM GLOBAL TECHNOLOGY OPERATIONS LLC**, Detroit, MI (US)
(**) Term: **15 Years**
(21) Appl. No.: **29/578,075**
(22) Filed: **Sep. 19, 2016**

D738,267 S * 9/2015 Chen D12/169
D738,270 S * 9/2015 Blanski D12/169
D740,727 S * 10/2015 Nakamura D12/169
D740,728 S * 10/2015 Gunnarson D12/169
D746,188 S * 12/2015 Nakagawa D12/169
D749,467 S * 2/2016 Stopka D12/169
D749,471 S * 2/2016 Nakahara D12/169
D754,040 S * 4/2016 Varga D12/169
D760,629 S * 7/2016 Chung D12/169
D764,984 S * 8/2016 Stopka D12/169
D766,144 S * 9/2016 Lesnik D12/169
D769,161 S * 10/2016 Ishii D12/169
D773,355 S * 12/2016 Kawaguchi D12/169
D776,581 S * 1/2017 Pevovar D12/169
D778,212 S * 2/2017 Kozub D12/169
D786,746 S * 5/2017 Wheel D12/169
D788,657 S * 6/2017 Oohashi D12/169
D789,259 S * 6/2017 Seo D12/169

(30) **Foreign Application Priority Data**
Mar. 18, 2016 (KR) 30-2016-0012836
(51) **LOC (10) Cl.** **12-16**
(52) **U.S. Cl.**
USPC **D12/169**
(58) **Field of Classification Search**
USPC D12/169, 216, 90-92, 86, 171, 196, 163;
293/102, 113, 115, 117, 120; 296/180.1,
296/180.2
CPC B60R 19/02; B60R 19/04; B62D 25/08
See application file for complete search history.

* cited by examiner

Primary Examiner — Melody N Brown
(74) *Attorney, Agent, or Firm* — Browdy and Neimark, PLLC

(56) **References Cited**
U.S. PATENT DOCUMENTS
D610,957 S * 3/2010 Bucher D12/169
D711,295 S * 8/2014 Mackay D12/169
D711,795 S * 8/2014 Kim D12/169
D721,993 S * 2/2015 Nordmann D12/169
D722,926 S * 2/2015 Kato D12/169
D733,018 S * 6/2015 McCabe D12/169
D733,622 S * 7/2015 Rugar D12/169
D736,127 S * 8/2015 Hammoud D12/169

(57) **CLAIM**
The ornamental design for a rear bumper of car, as shown and described.

DESCRIPTION
FIG. 1 is a perspective view of a rear bumper of car showing my new design;
FIG. 2 is a front elevation view thereof;
FIG. 3 is a rear elevation view thereof;
FIG. 4 is a side elevational view thereof;
FIG. 5 is an opposite elevational view thereof;
FIG. 6 is a top plan view thereof;
FIG. 7 is a bottom plan view thereof; and,
FIG. 8 is another perspective view thereof.

1 Claim, 8 Drawing Sheets

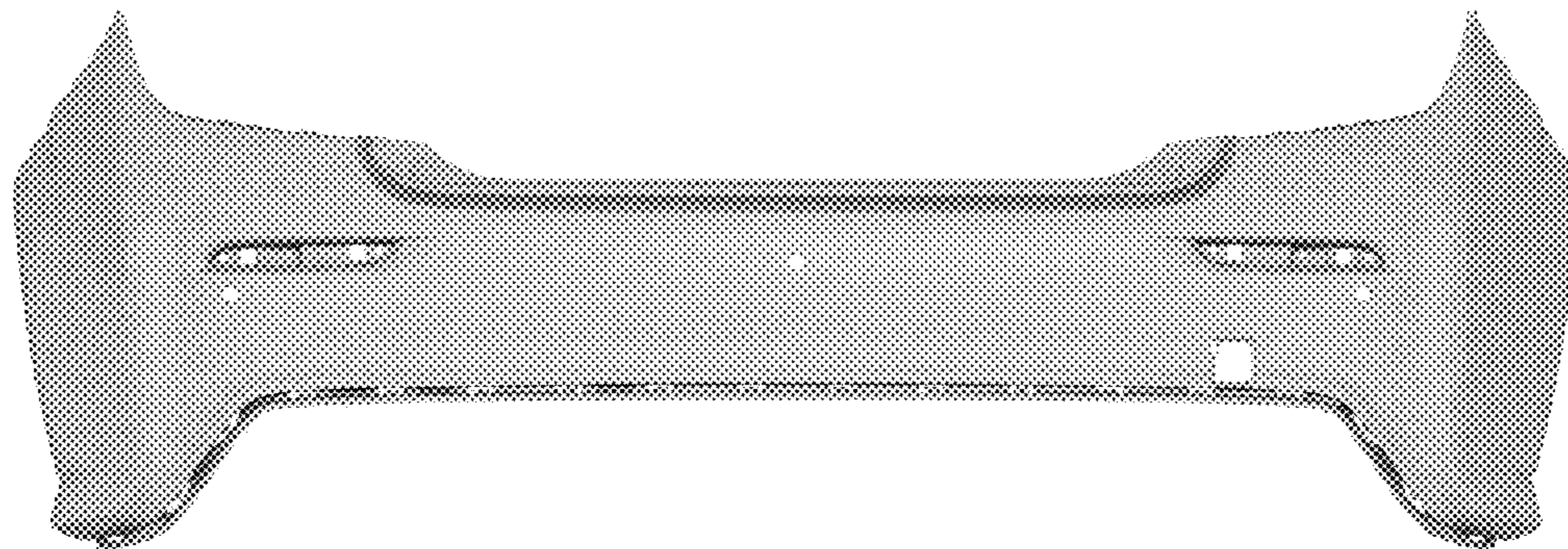


FIG. 1

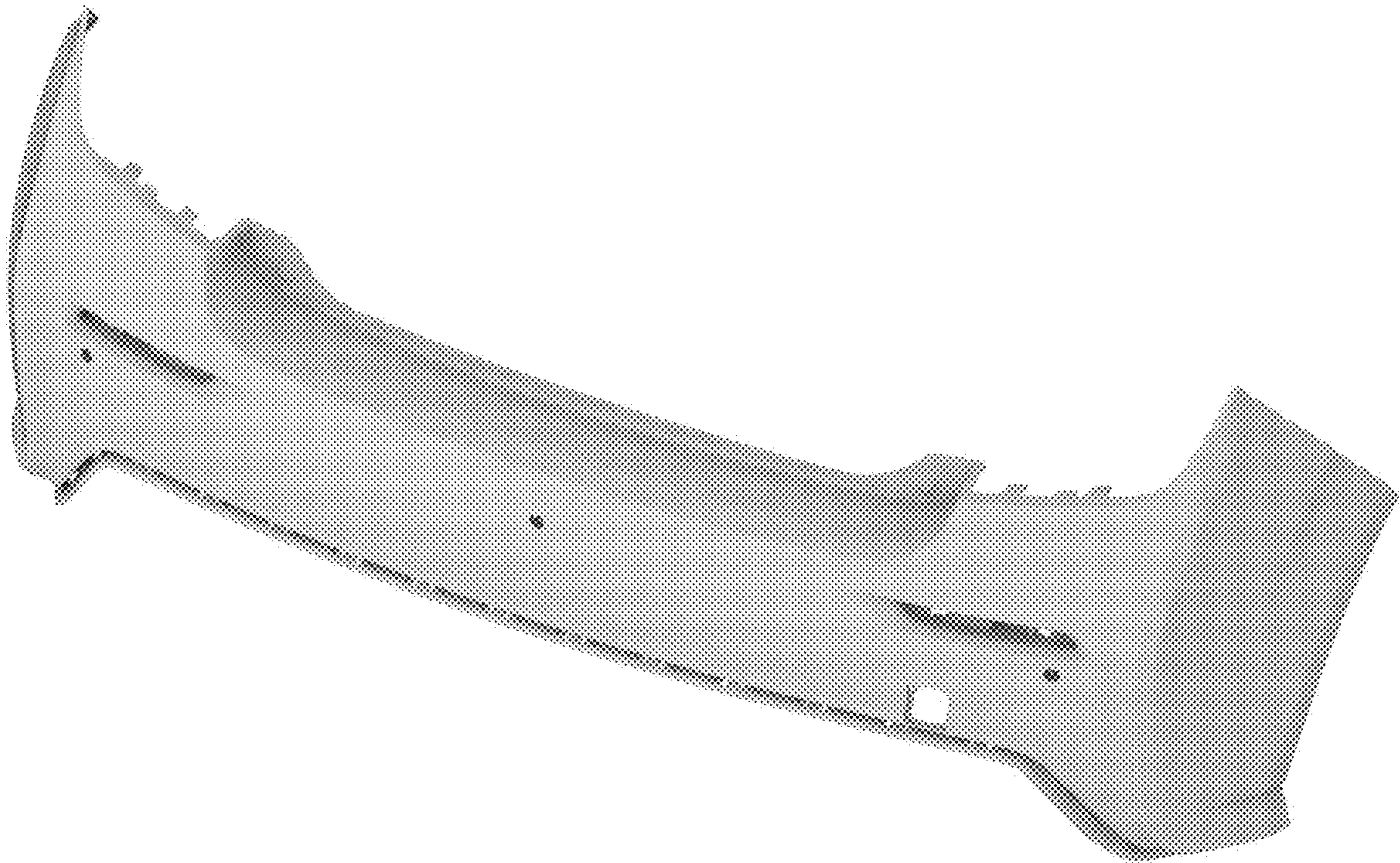


FIG. 2

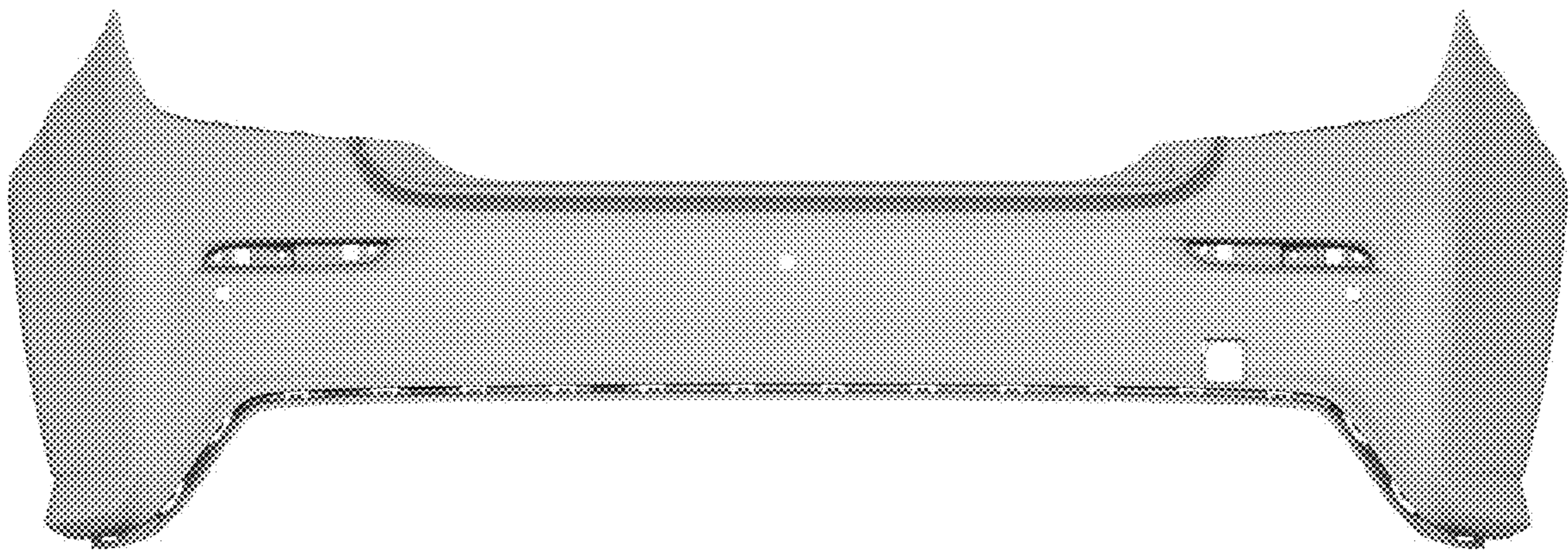


FIG. 3

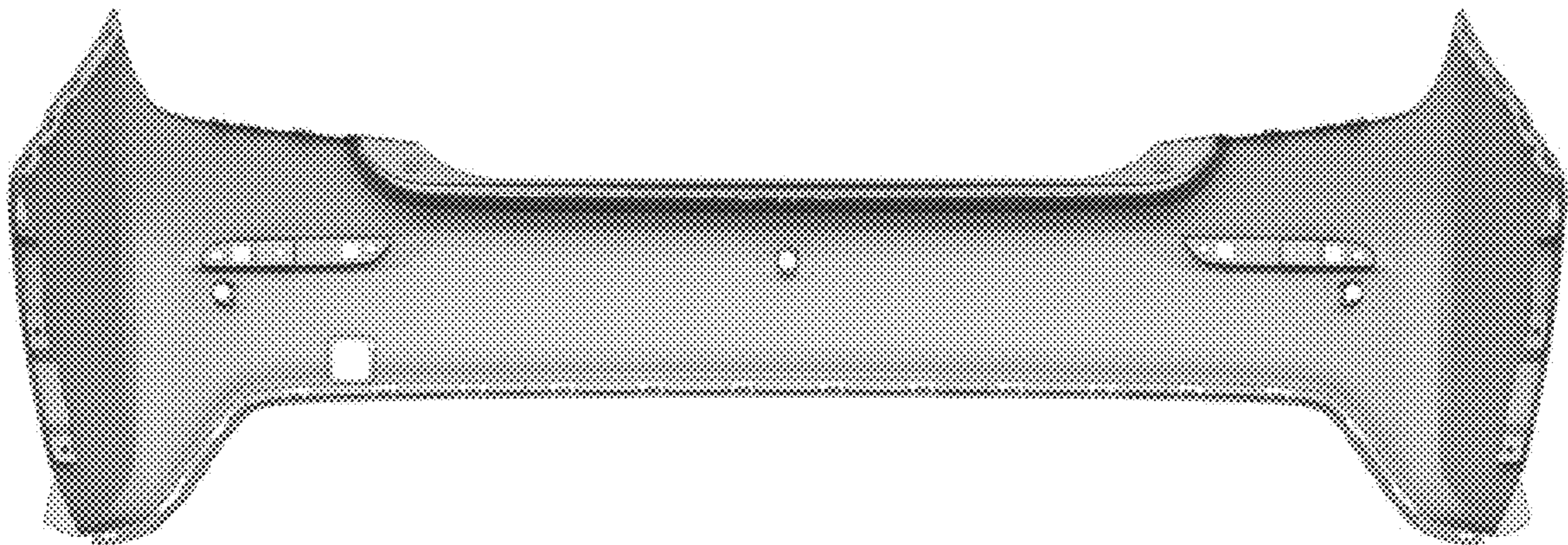


FIG. 4

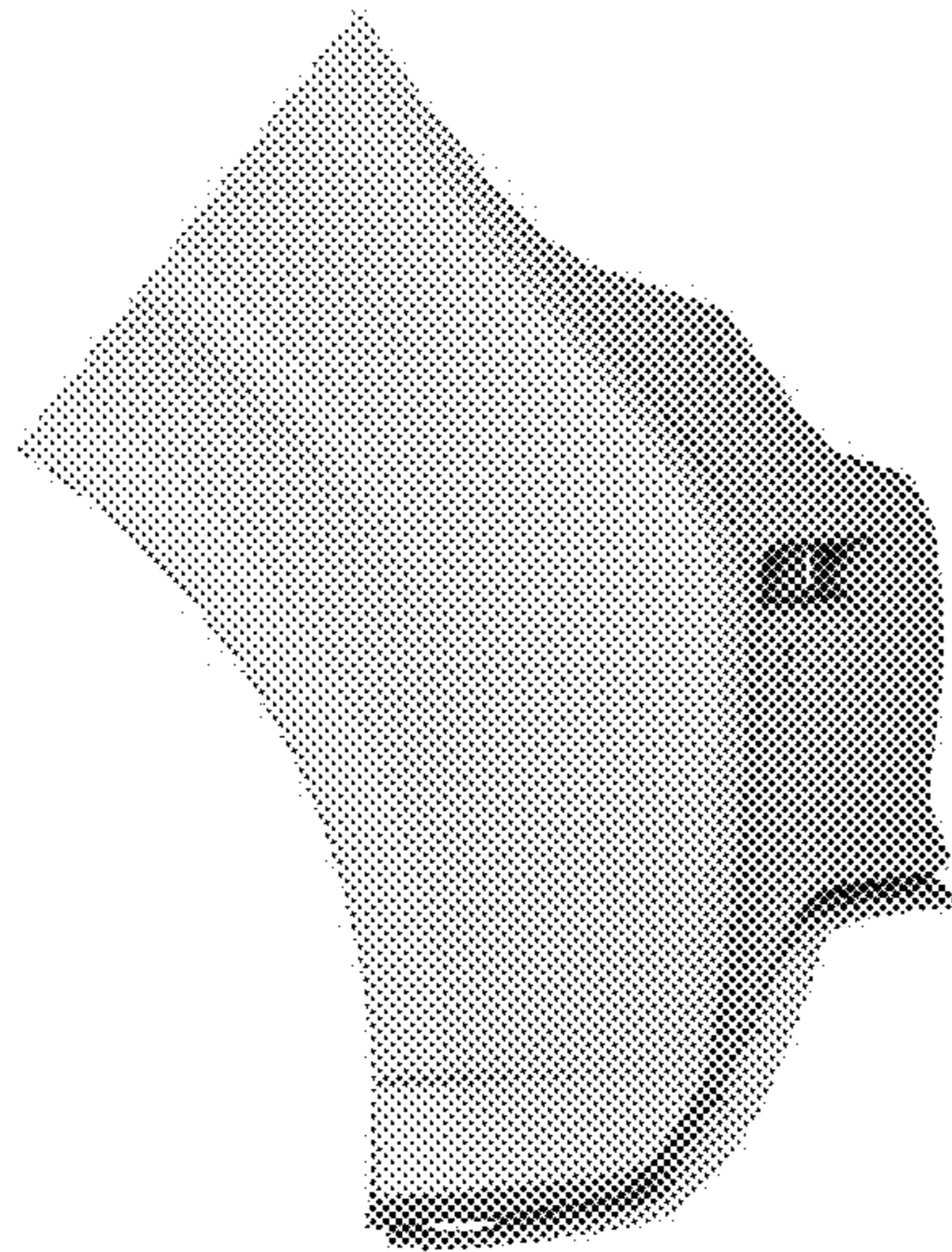


FIG. 5

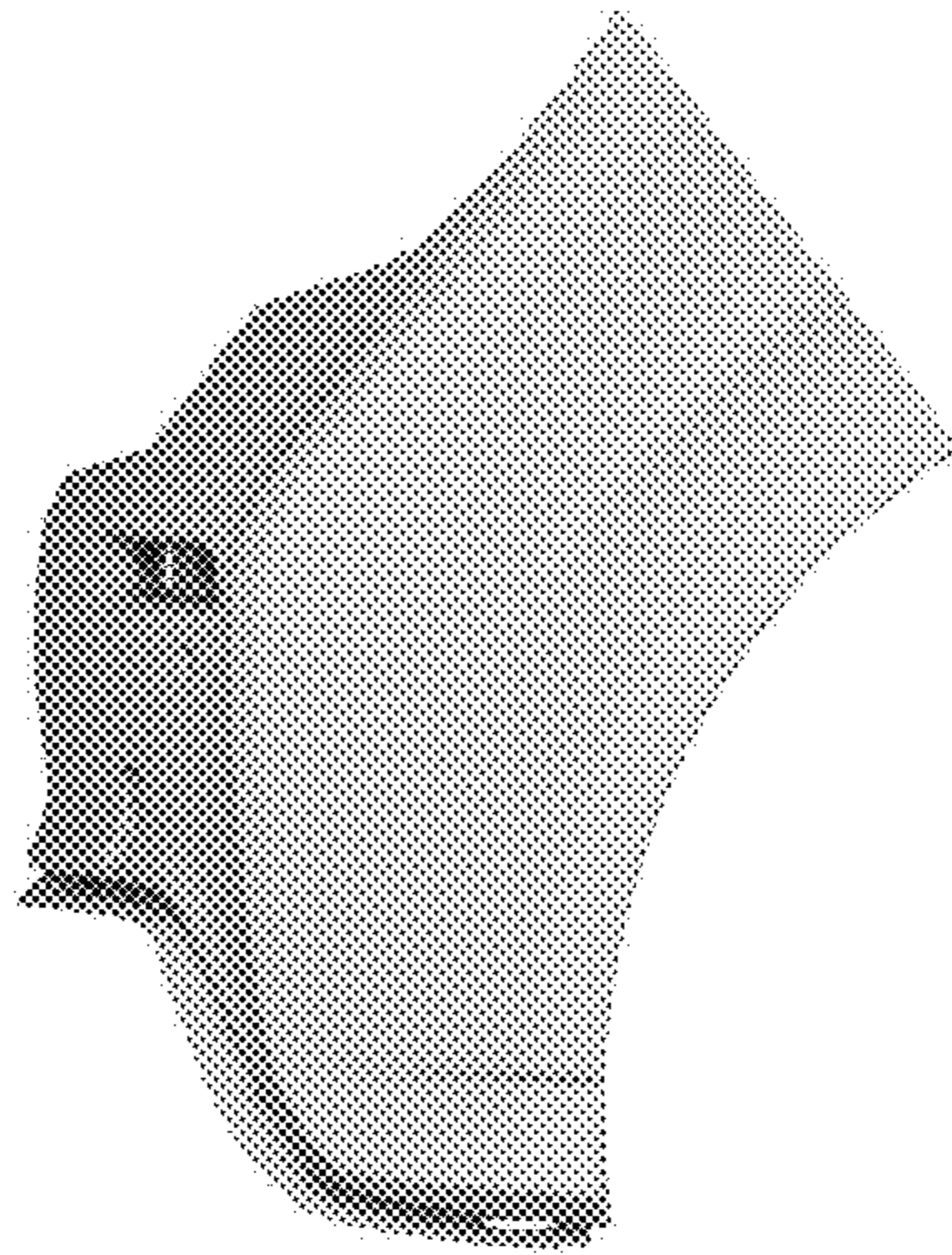


FIG. 6

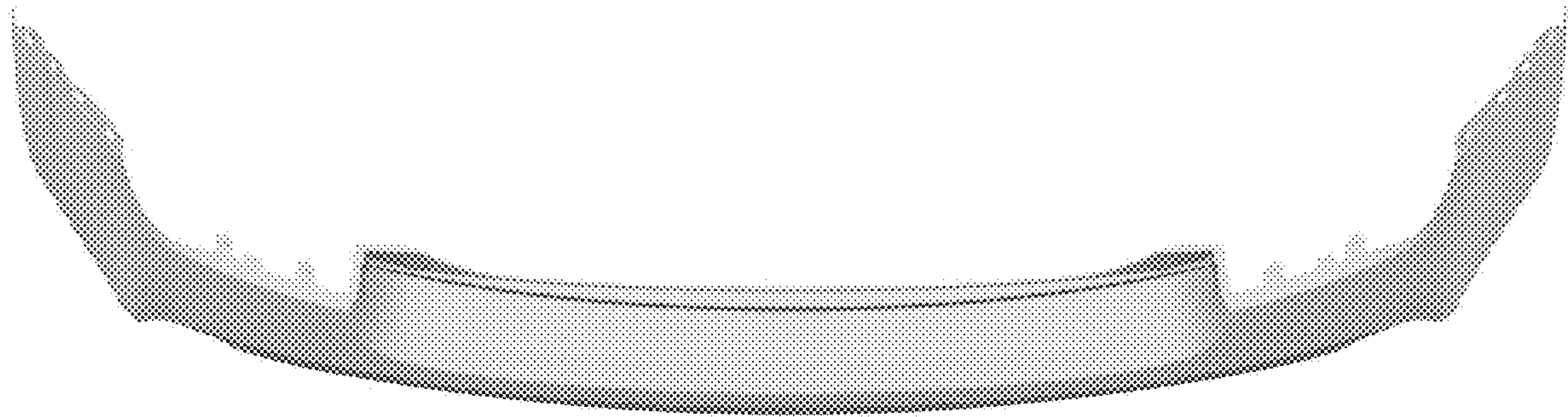


FIG. 7

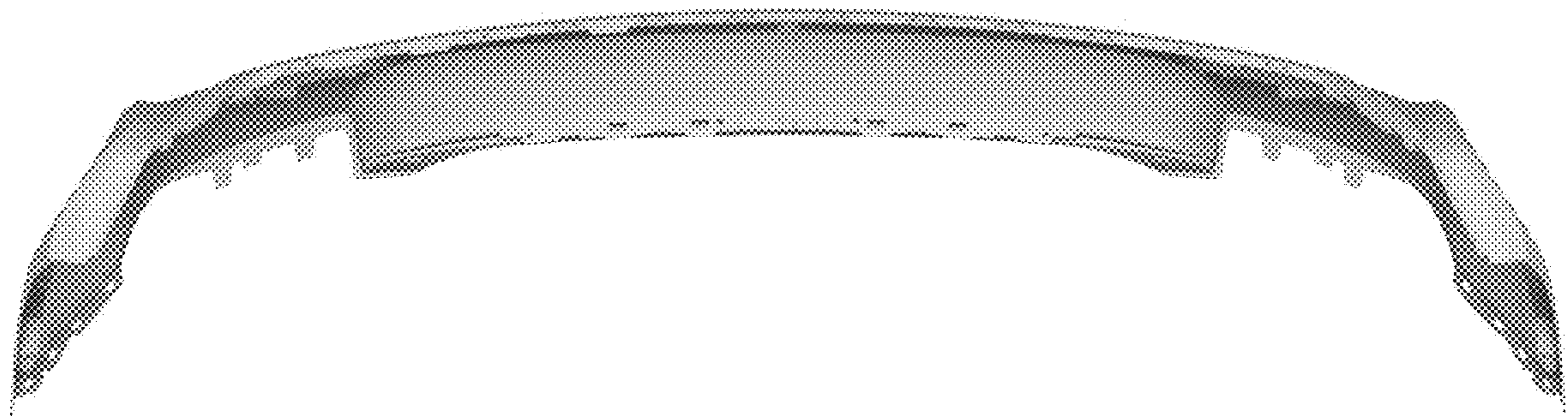


FIG. 8

