



US00D802493S

(12) **United States Design Patent** (10) **Patent No.:** **US D802,493 S**
Pruitt (45) **Date of Patent:** **** Nov. 14, 2017**

- (54) **BOLT-ON RADIATOR**
- (71) Applicant: **Heavy Duty Radiator LLC**, Romulus, MI (US)
- (72) Inventor: **John R. Pruitt**, Riverview, MI (US)
- (73) Assignee: **Heavy Duty Radiator LLC**, Romulus, MI (US)
- (**) Term: **15 Years**
- (21) Appl. No.: **29/572,477**
- (22) Filed: **Jul. 28, 2016**
- (51) **LOC (10) Cl.** **12-16**
- (52) **U.S. Cl.**
USPC **D12/166**
- (58) **Field of Classification Search**
USPC D12/164, 165, 166
CPC F28F 9/001; F28D 1/05366; F28D 1/0435
See application file for complete search history.

- 4,730,668 A 3/1988 LeMaster
- 4,756,361 A * 7/1988 Lesage F28F 1/32
165/149
- 4,776,417 A 10/1988 Takeuchi et al.
- 4,926,934 A 5/1990 Ivy
- 5,360,059 A * 11/1994 Olson F28F 9/001
165/149
- 5,613,551 A 3/1997 Rhodes
- 6,129,142 A 10/2000 Beldam
- 6,675,921 B2 1/2004 Brown
- 6,899,167 B2 * 5/2005 Martins F28D 1/0435
165/140
- 7,441,620 B2 10/2008 Riniker et al.
- 7,500,514 B2 * 3/2009 Heine F01P 11/08
165/140
- 7,503,380 B2 3/2009 Jakob
(Continued)

(56) **References Cited**

U.S. PATENT DOCUMENTS

- 294,707 A 3/1884 Wentworth
- 517,193 A 3/1894 Ratsey
- 1,344,351 A 6/1920 Norelius et al.
- 2,065,515 A 12/1936 Cornell, Jr.
- 3,123,170 A 3/1964 Bryant
- 3,165,151 A 1/1965 Astrup et al.
- 3,982,587 A * 9/1976 Tramontini F01P 11/02
165/149
- 4,137,982 A 2/1979 Crews et al.
- 4,140,177 A 2/1979 Ivie, Sr.
- 4,169,501 A 10/1979 Takeuchi et al.
- D263,461 S * 3/1982 Young D12/166
- 4,382,464 A 5/1983 Melnyk
- 4,420,058 A 12/1983 Sato et al.
- 4,540,044 A * 9/1985 Lenz F28F 9/001
165/149
- 4,619,313 A 10/1986 Rhodes et al.

FOREIGN PATENT DOCUMENTS

EP 1707421 A1 10/2006

Primary Examiner — Darlington Ly

(74) *Attorney, Agent, or Firm* — The Dobrusin Law Firm, P.C.

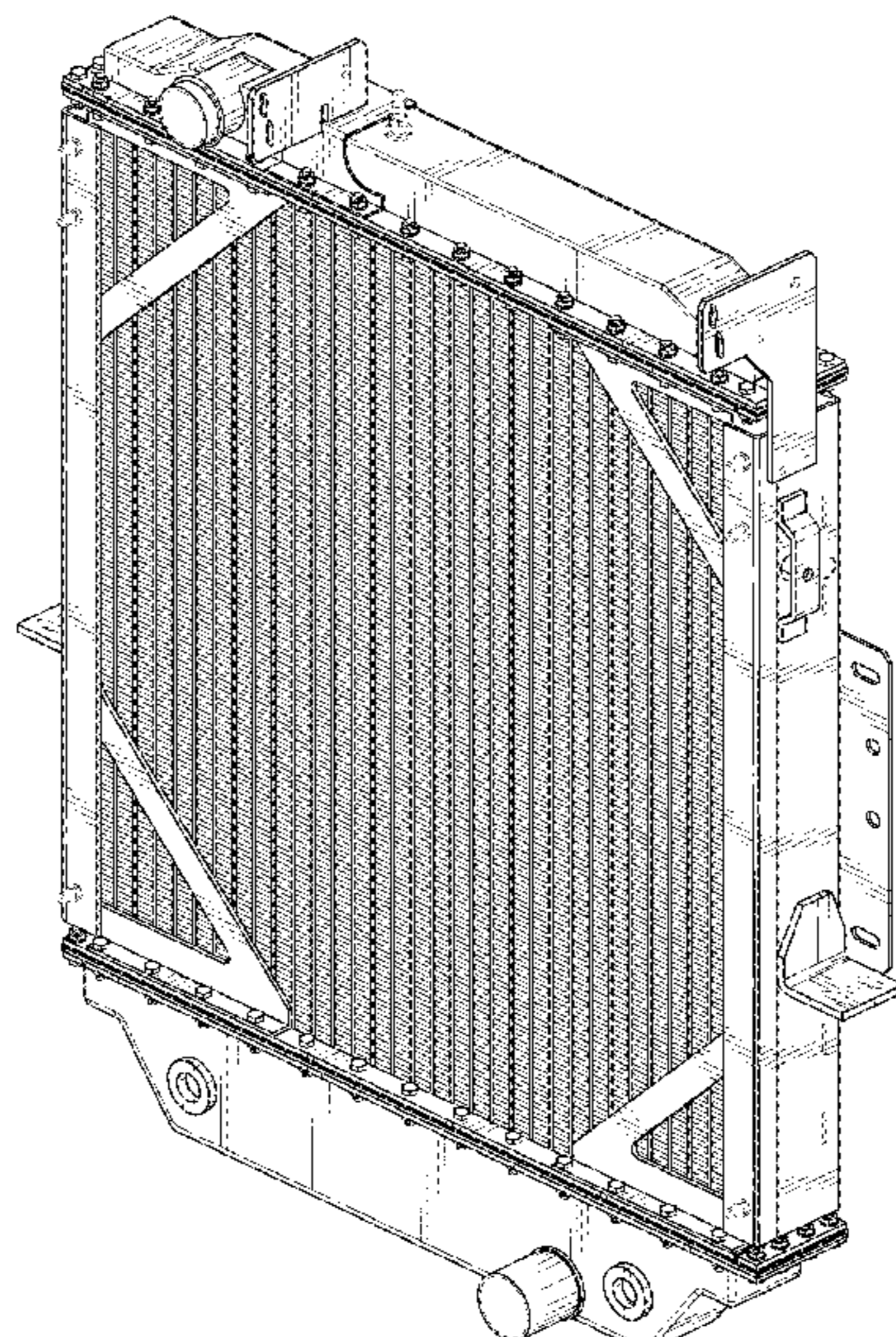
(57) **CLAIM**

The ornamental design for a bolt-on radiator, as shown and described.

DESCRIPTION

FIG. 1 is a top, front, and right side perspective view of a bolt-on radiator showing my new design; FIG. 2 is a front elevation view thereof; FIG. 3 is a rear elevation view thereof; FIG. 4 is a left side elevation view thereof; FIG. 5 is a right side elevation view thereof; FIG. 6 is a top plan view thereof; and, FIG. 7 is a bottom plan view thereof. The broken lines in the drawings illustrate portions of the bolt-on radiator that form no part of the claimed design.

1 Claim, 5 Drawing Sheets



(56)

References Cited

U.S. PATENT DOCUMENTS

7,694,724	B2 *	4/2010	Kolb	F28F 9/001 165/149
D619,511	S *	7/2010	Sullivan	D12/166
D621,016	S *	8/2010	Garcia	D23/330
7,942,223	B2	5/2011	Obayashi et al.	
D647,436	S *	10/2011	Sullivan	D12/166
8,376,073	B2 *	2/2013	Nantais	B60K 11/04 180/68.4
D686,543	S	7/2013	Weil	
8,646,554	B2	2/2014	Takahashi et al.	
D703,126	S *	4/2014	Tafe	D12/223
D717,218	S *	11/2014	Tafe	D12/166
D717,702	S *	11/2014	McCardle	D12/166
9,090,159	B2	7/2015	Pruitt	
D746,732	S *	1/2016	Pruitt	D12/166
D751,472	S *	3/2016	Pruitt	D12/166
2005/0029028	A1	2/2005	Steinmacher	
2006/0213640	A1	9/2006	Matsuoka et al.	
2008/0164015	A1	7/2008	Papapanu	
2010/0163324	A1	7/2010	Jyoutaki et al.	
2011/0155358	A1 *	6/2011	Galahroudi	F28F 9/0214 165/173

* cited by examiner

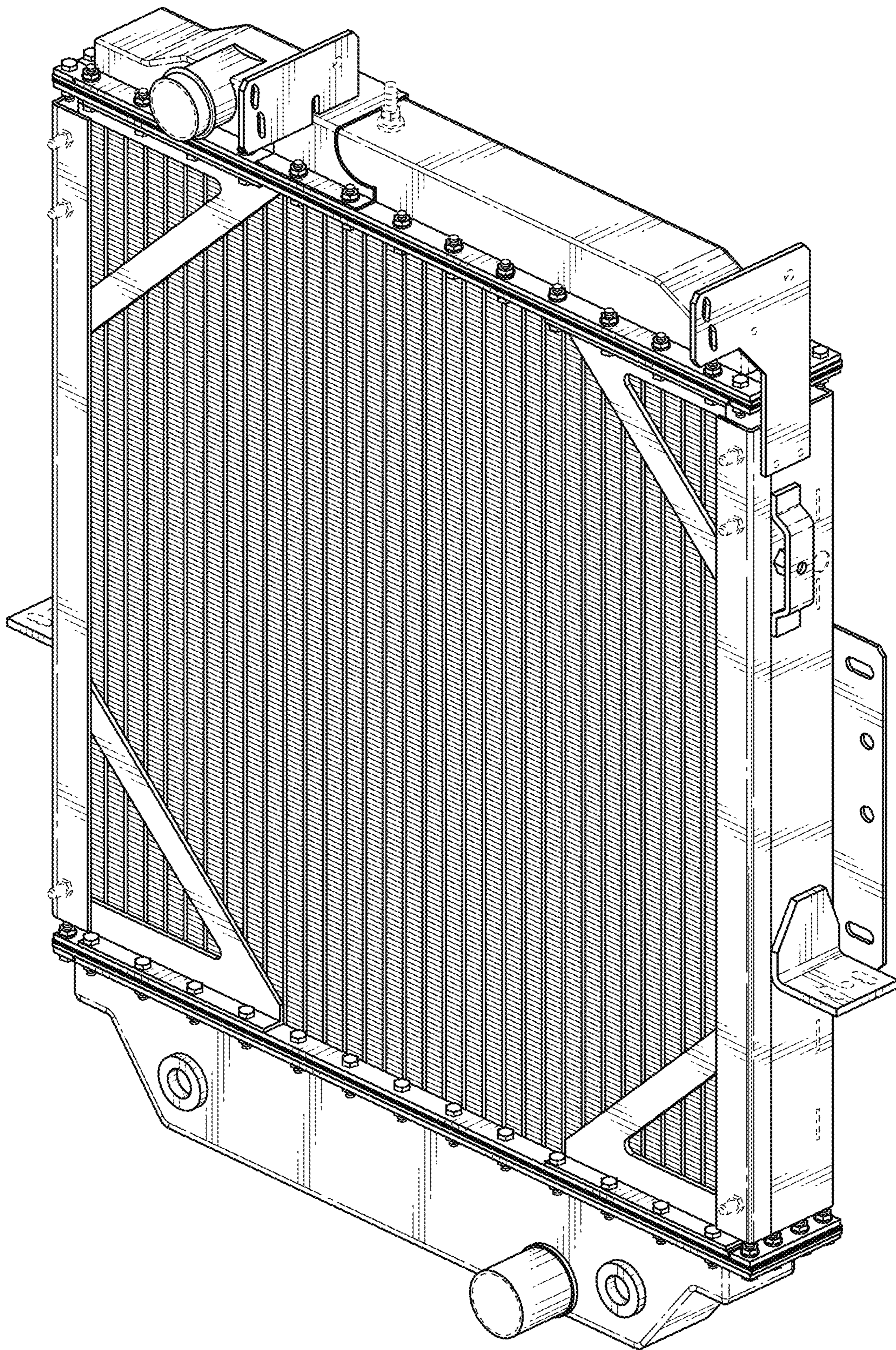


FIG. 1

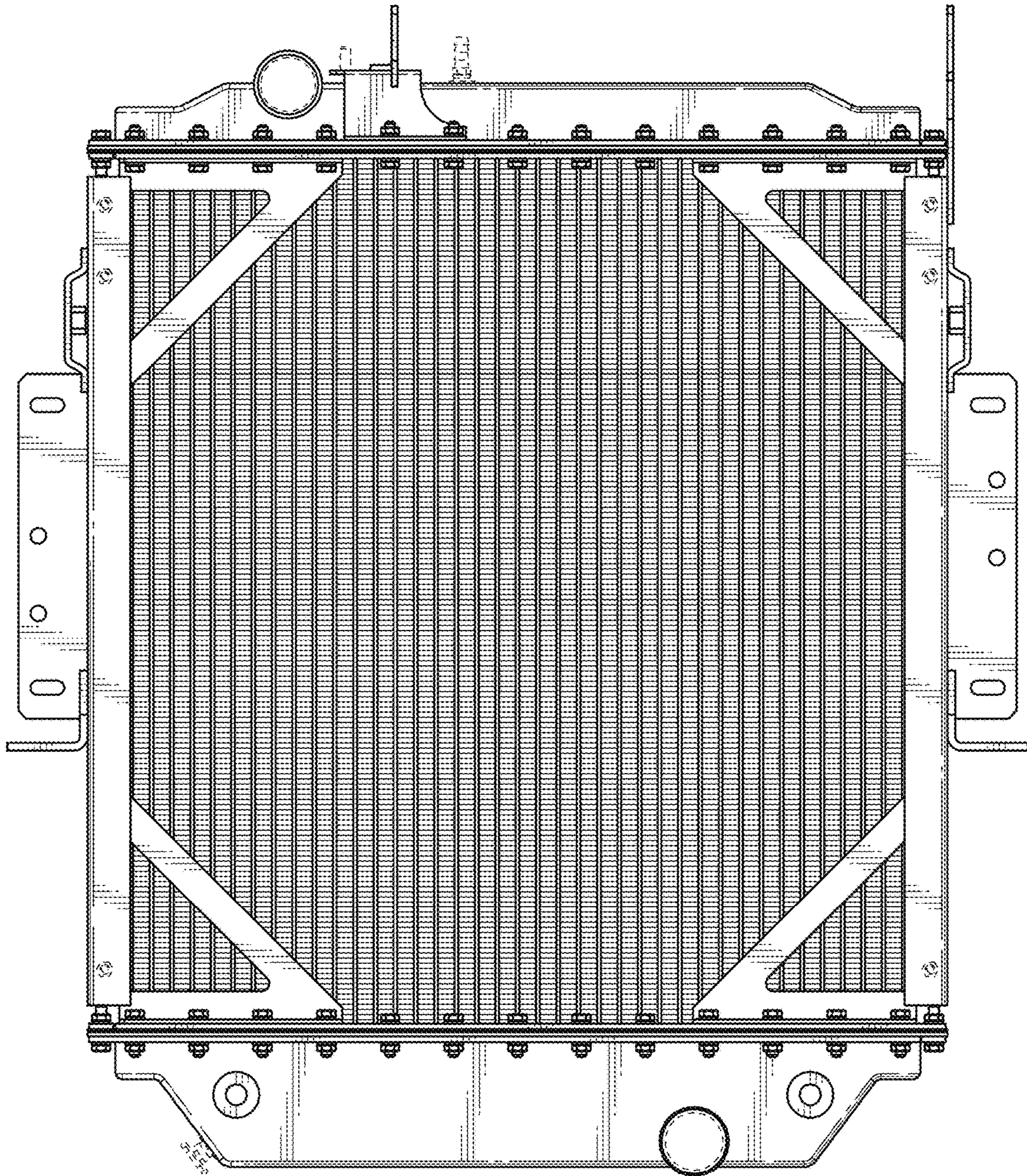


FIG. 2

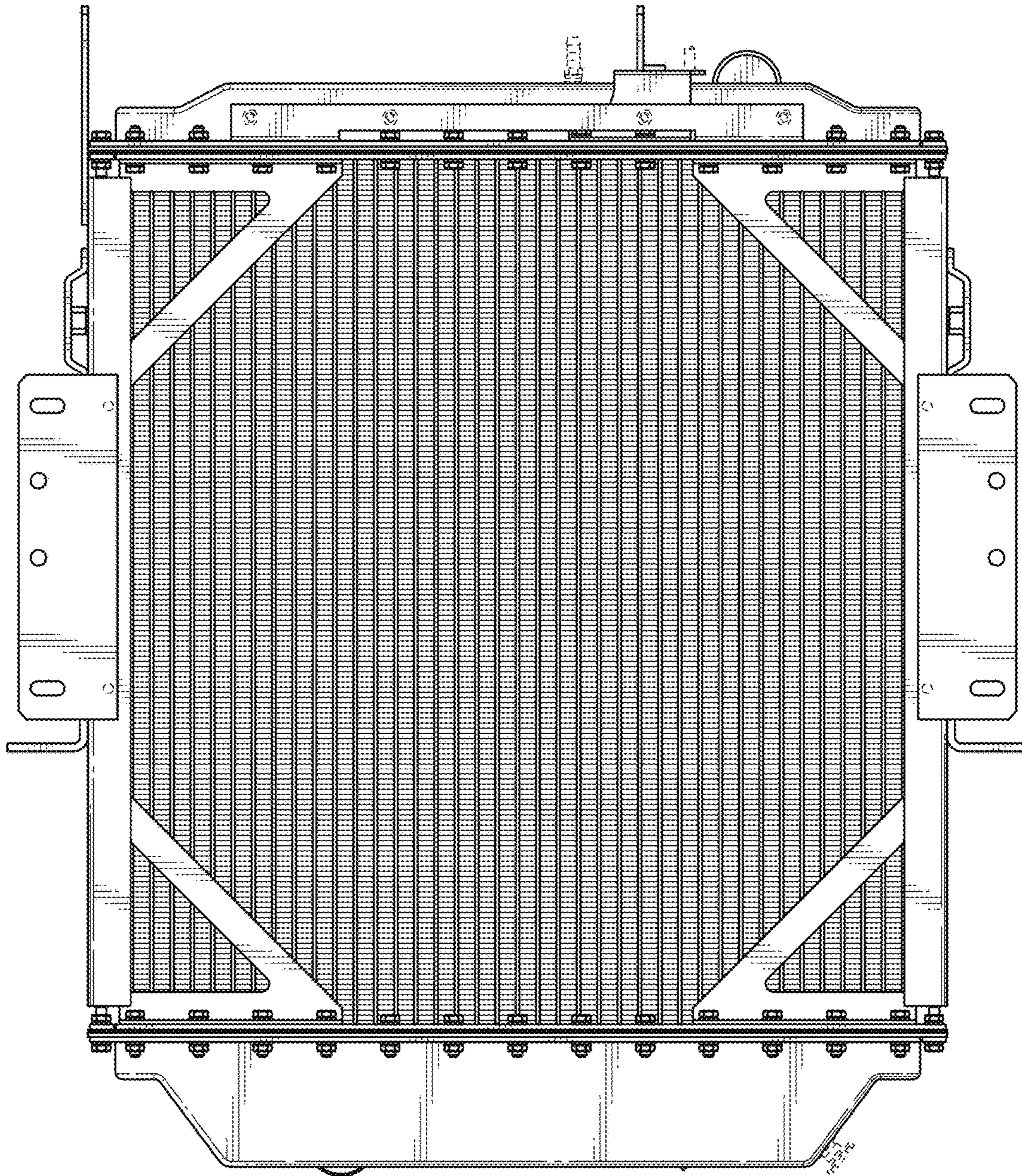


FIG. 3

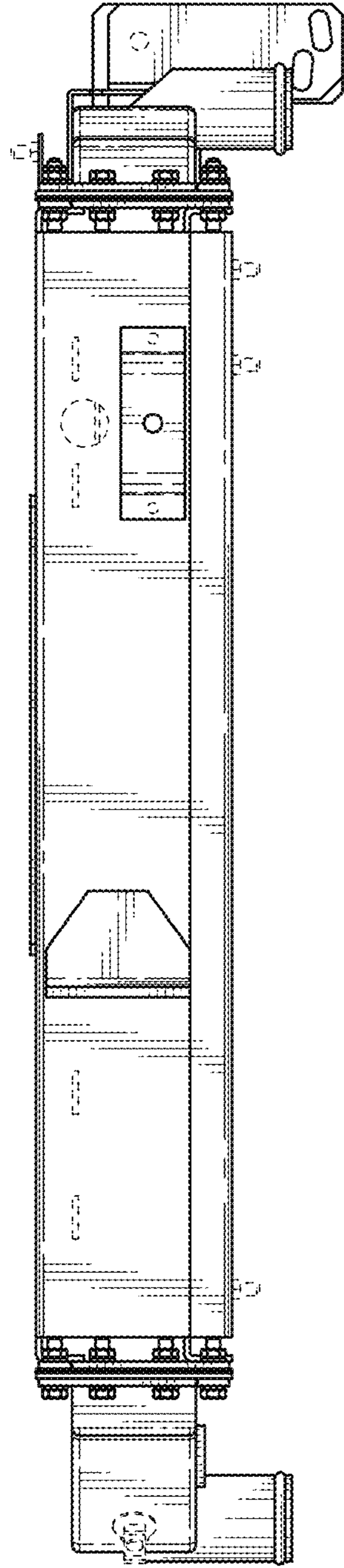


FIG. 4

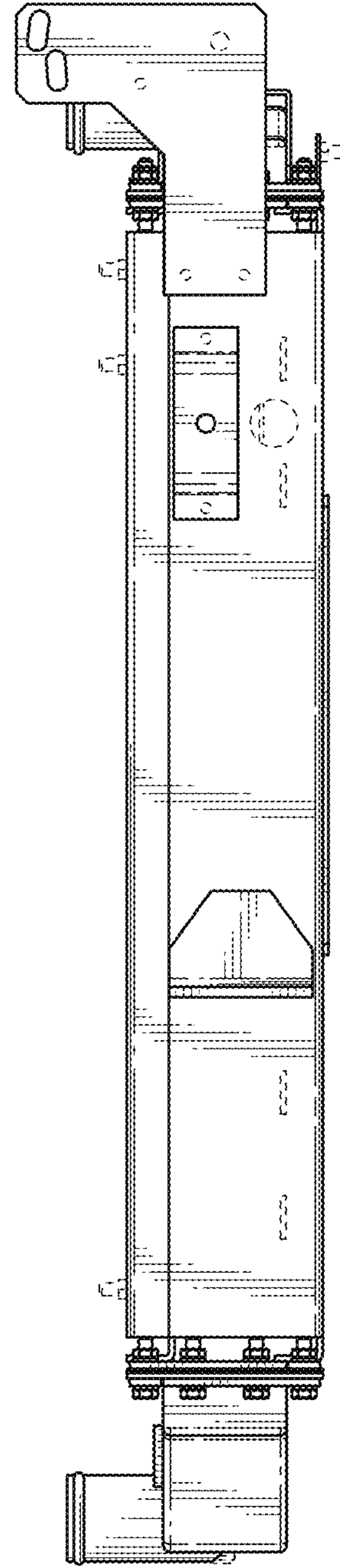


FIG. 5

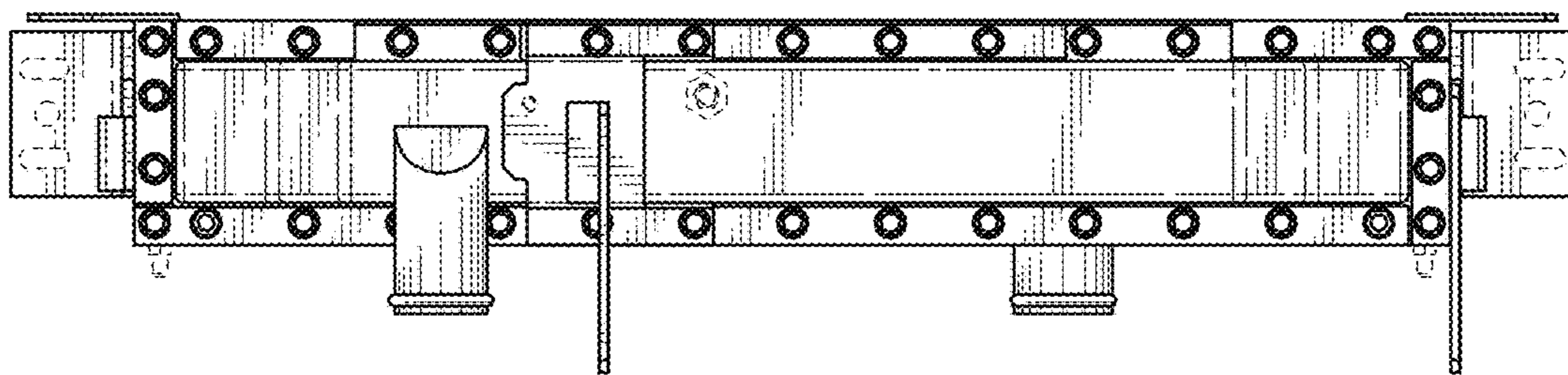


FIG. 6

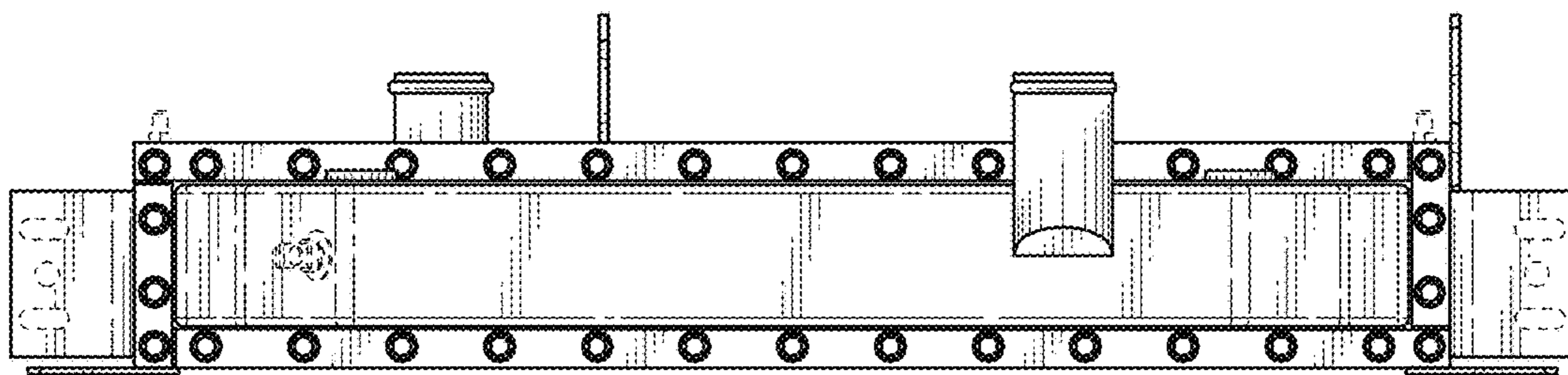


FIG. 7