



US00D802490S

(12) **United States Design Patent**  
**McFarland**

(10) **Patent No.:** **US D802,490 S**

(45) **Date of Patent:** **\*\* Nov. 14, 2017**

(54) **STOWABLE HITCH RECEIVER WITH PAD**

(71) Applicant: **Gary McFarland**, Santa Fe, TX (US)

(72) Inventor: **Gary McFarland**, Santa Fe, TX (US)

(\*\*) Term: **15 Years**

(21) Appl. No.: **29/554,252**

(22) Filed: **Feb. 9, 2016**

D771,526 S \* 11/2016 Baron ..... D12/162  
D784,863 S \* 4/2017 Rotenberg ..... D12/162  
2014/0000327 A1\* 1/2014 Madruga ..... E05B 65/0089  
70/466

\* cited by examiner

*Primary Examiner* — Katrina A Betton

(74) *Attorney, Agent, or Firm* — Kenneth A. Roddy

(57) **CLAIM**

The ornamental design for a stowable hitch receiver with pad, as shown and described.

**Related U.S. Application Data**

(63) Continuation-in-part of application No. 29/498,869, filed on Aug. 8, 2014, now Pat. No. Des. 749,020.

(51) **LOC (10) Cl.** ..... **12-16**

(52) **U.S. Cl.**  
USPC ..... **D12/162**

(58) **Field of Classification Search**  
USPC ..... D12/162, 161, 160, 159  
CPC . B60D 1/60; B60D 1/065; B60D 1/00; B60D 1/06

See application file for complete search history.

**DESCRIPTION**

FIG. 1 is a perspective view of a stowable hitch receiver with pad in accordance with a first embodiment, showing my new design from the front, top and left hand side;

FIG. 2 is a perspective view thereof showing my new design from the rear, bottom, and right hand side;

FIG. 3 is a front elevation view thereof;

FIG. 4 is a left side elevation view thereof;

FIG. 5 is a right side elevation view thereof;

FIG. 6 is a top plan view thereof;

FIG. 7 is a bottom plan view thereof;

FIG. 8 is a perspective view of a stowable hitch receiver with pad in accordance with a second embodiment, showing my new design from the front, top and left hand side;

FIG. 9 is a perspective view thereof showing my new design from the rear, bottom, and right hand side;

FIG. 10 is a front elevation view thereof;

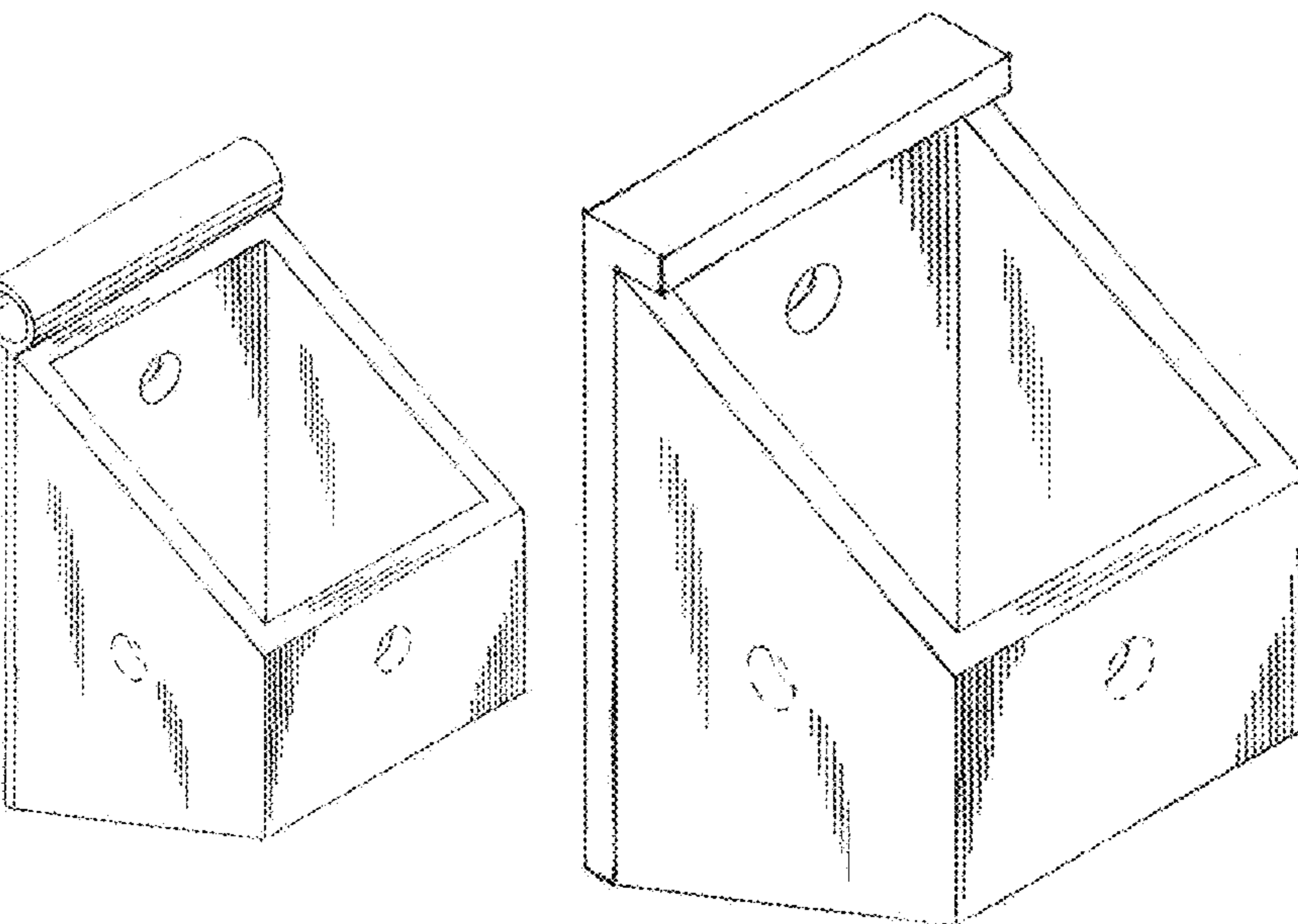
FIG. 11 is a left side elevation view thereof;

FIG. 12 is a right side elevation view thereof;

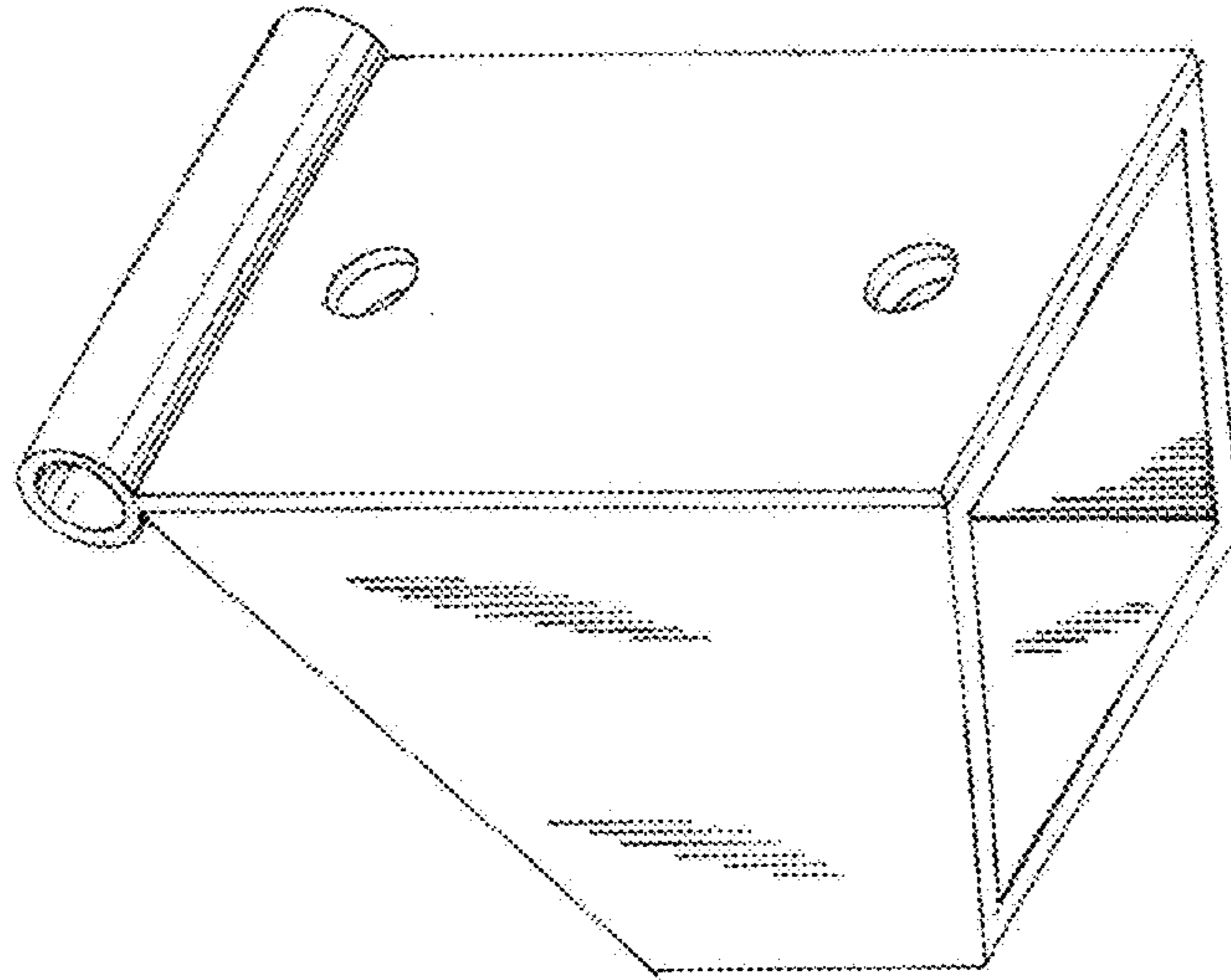
FIG. 13 is a top plan view thereof; and,

FIG. 14 is a bottom plan view thereof.

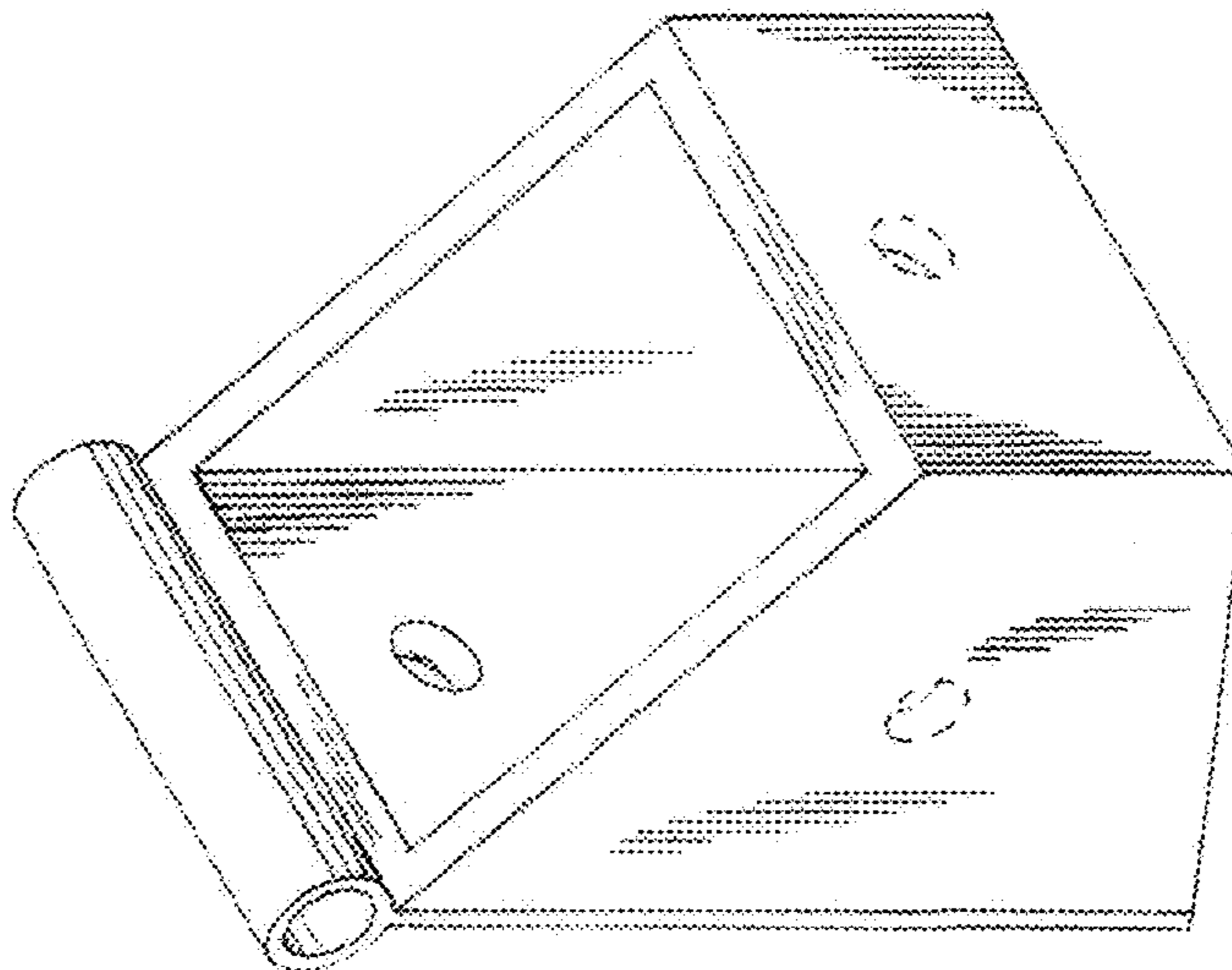
The dashed lines showing the location of holes forms no part of the claimed design.



**1 Claim, 6 Drawing Sheets**



*Fig. 2*



*Fig. 1*

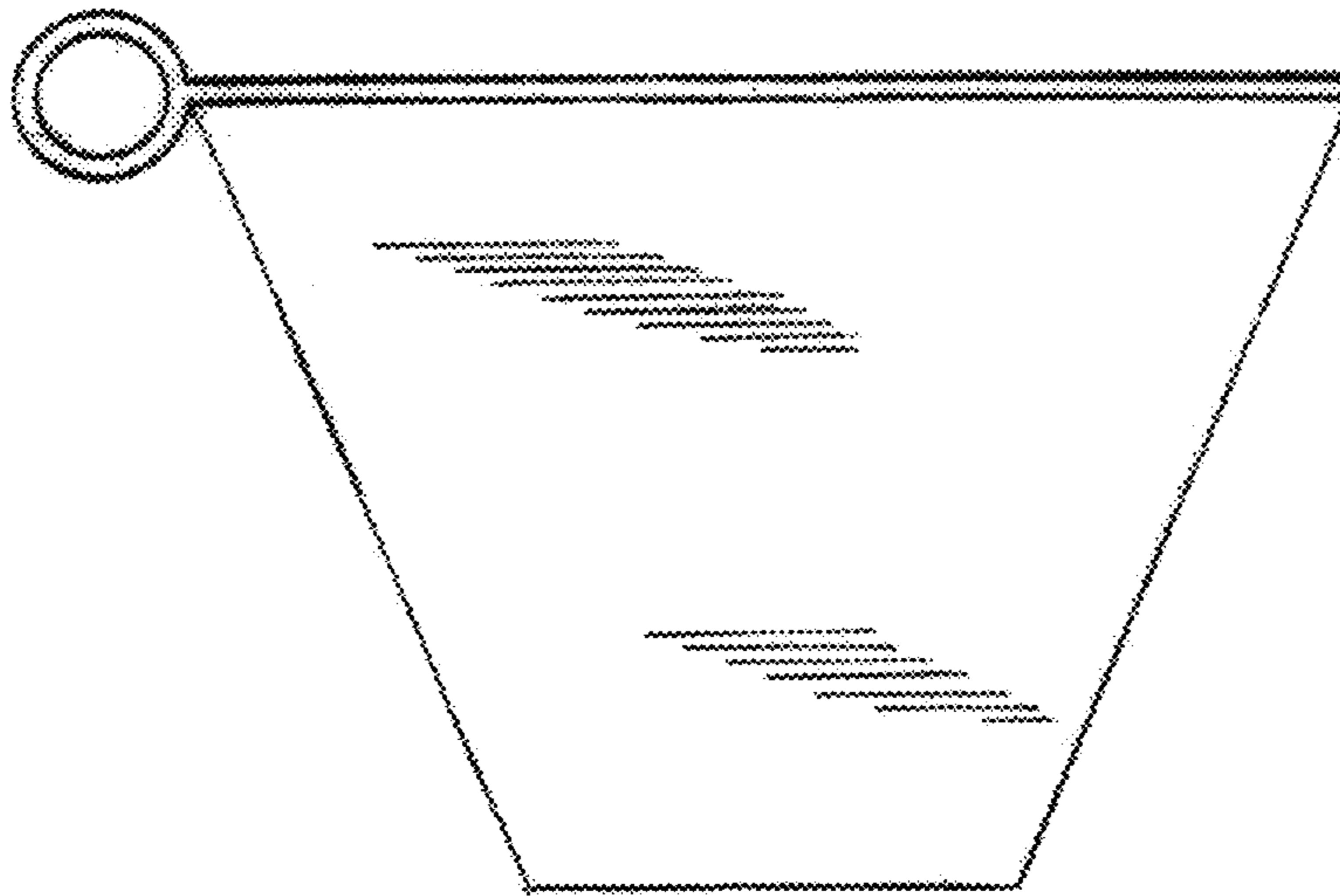


Fig. 5

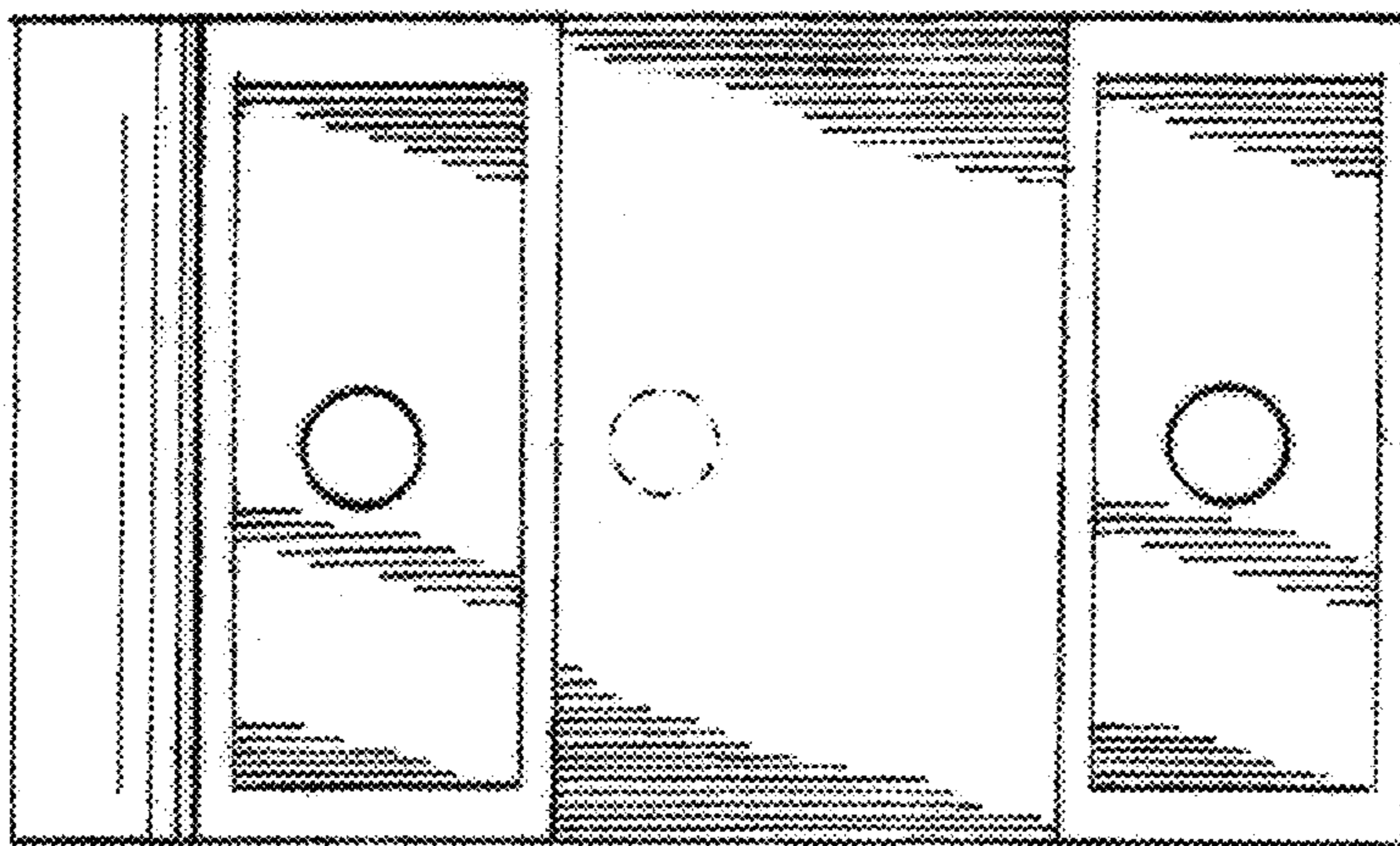


Fig. 3

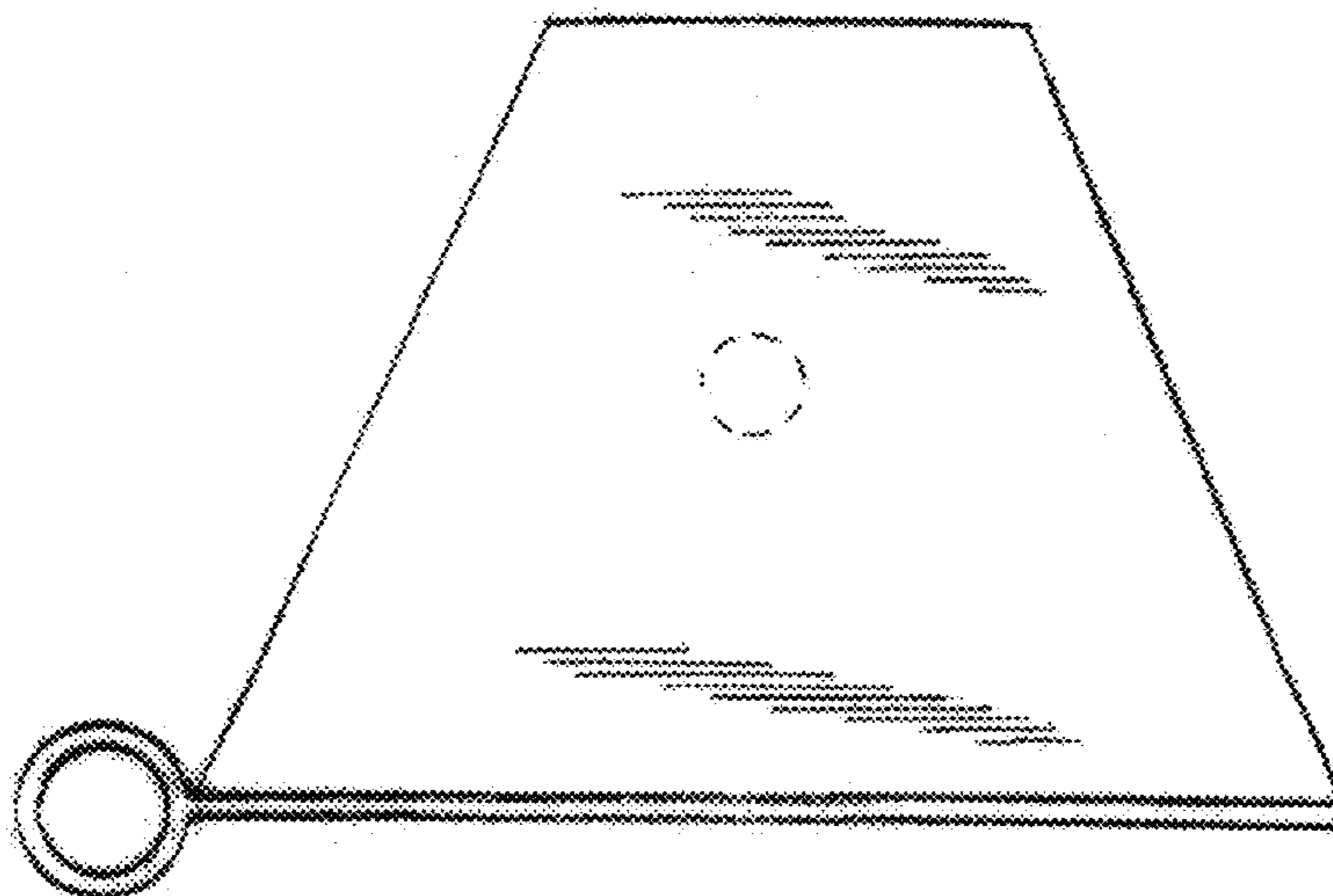
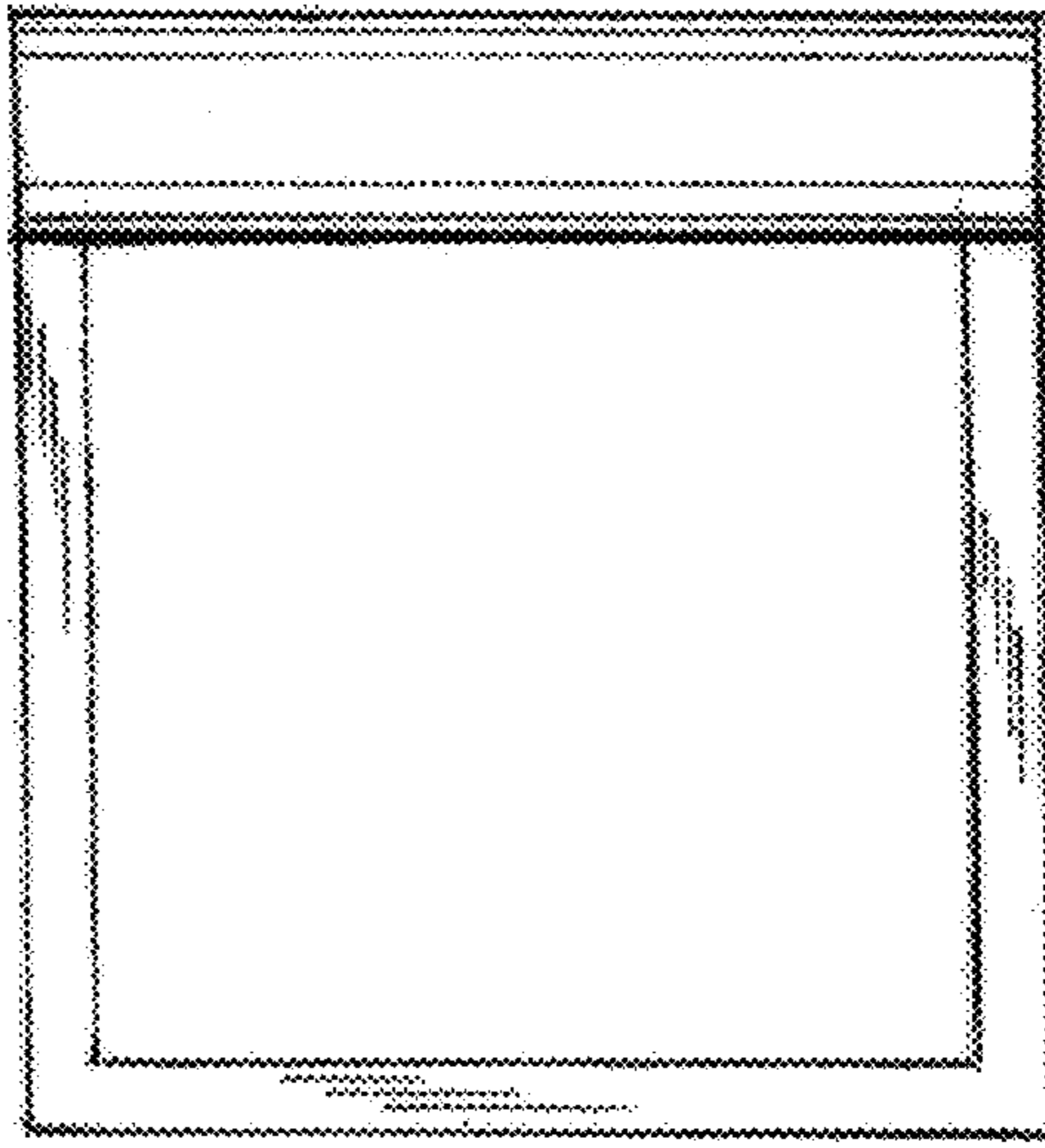
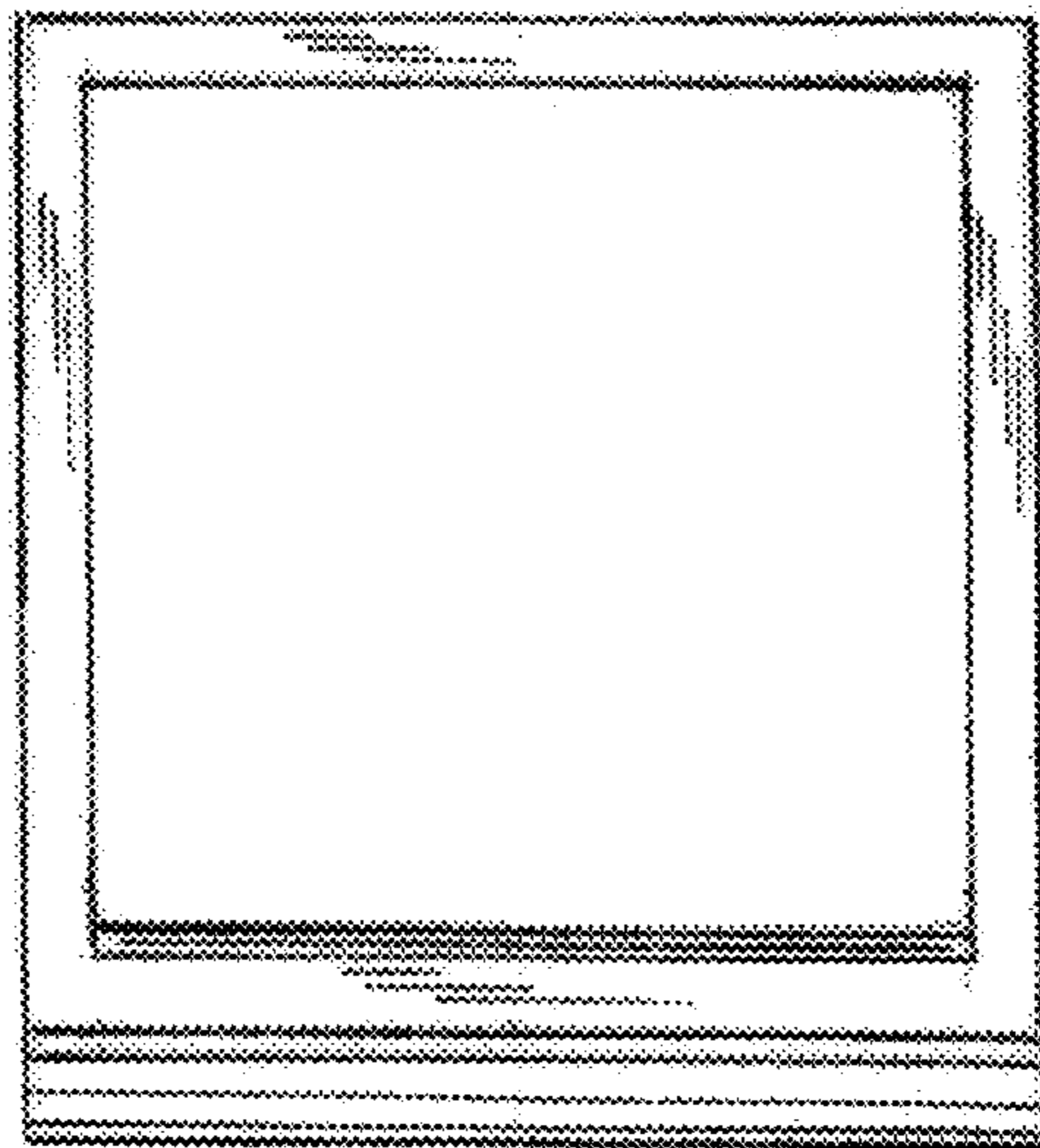


Fig. 4

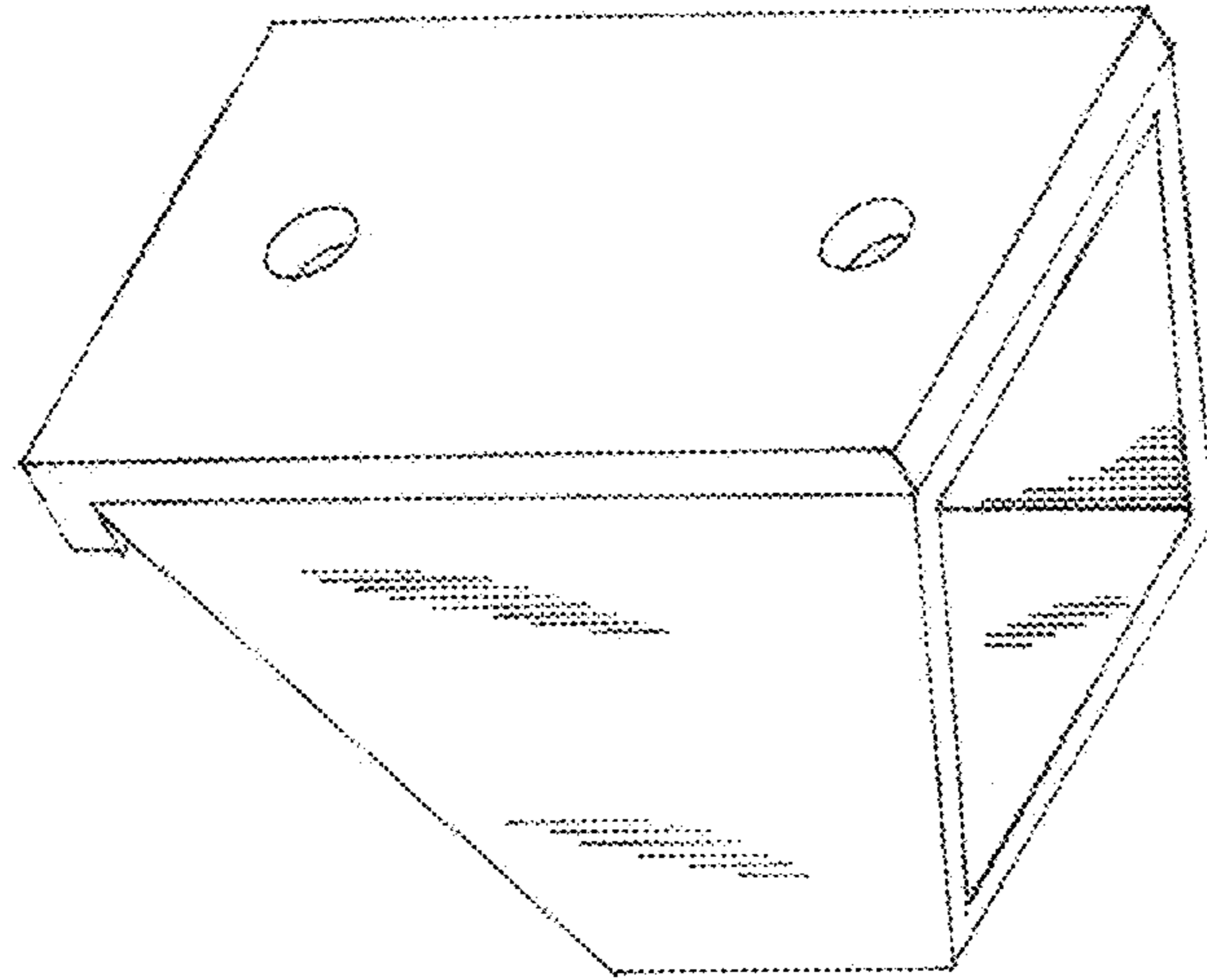




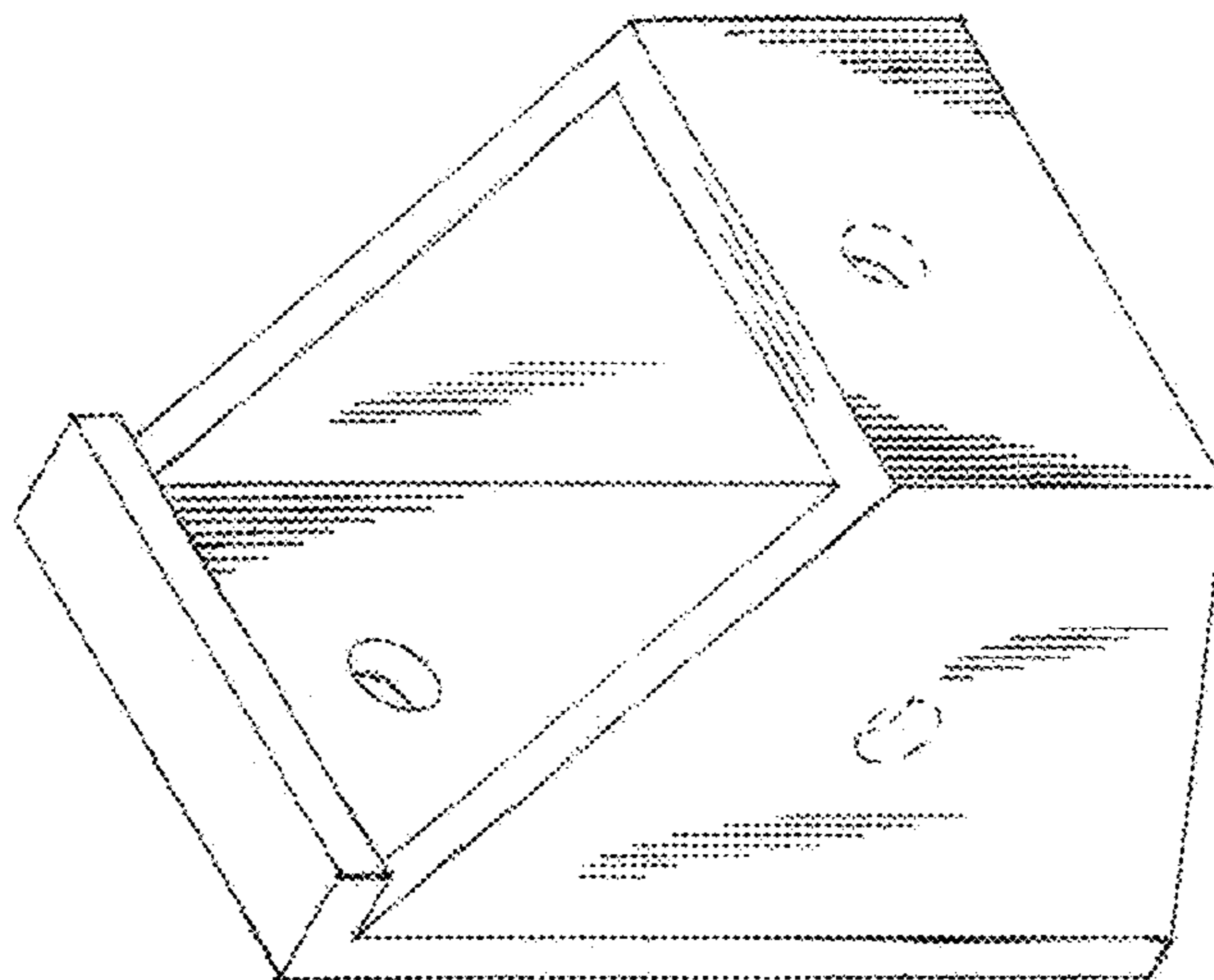
*Fig. 6*



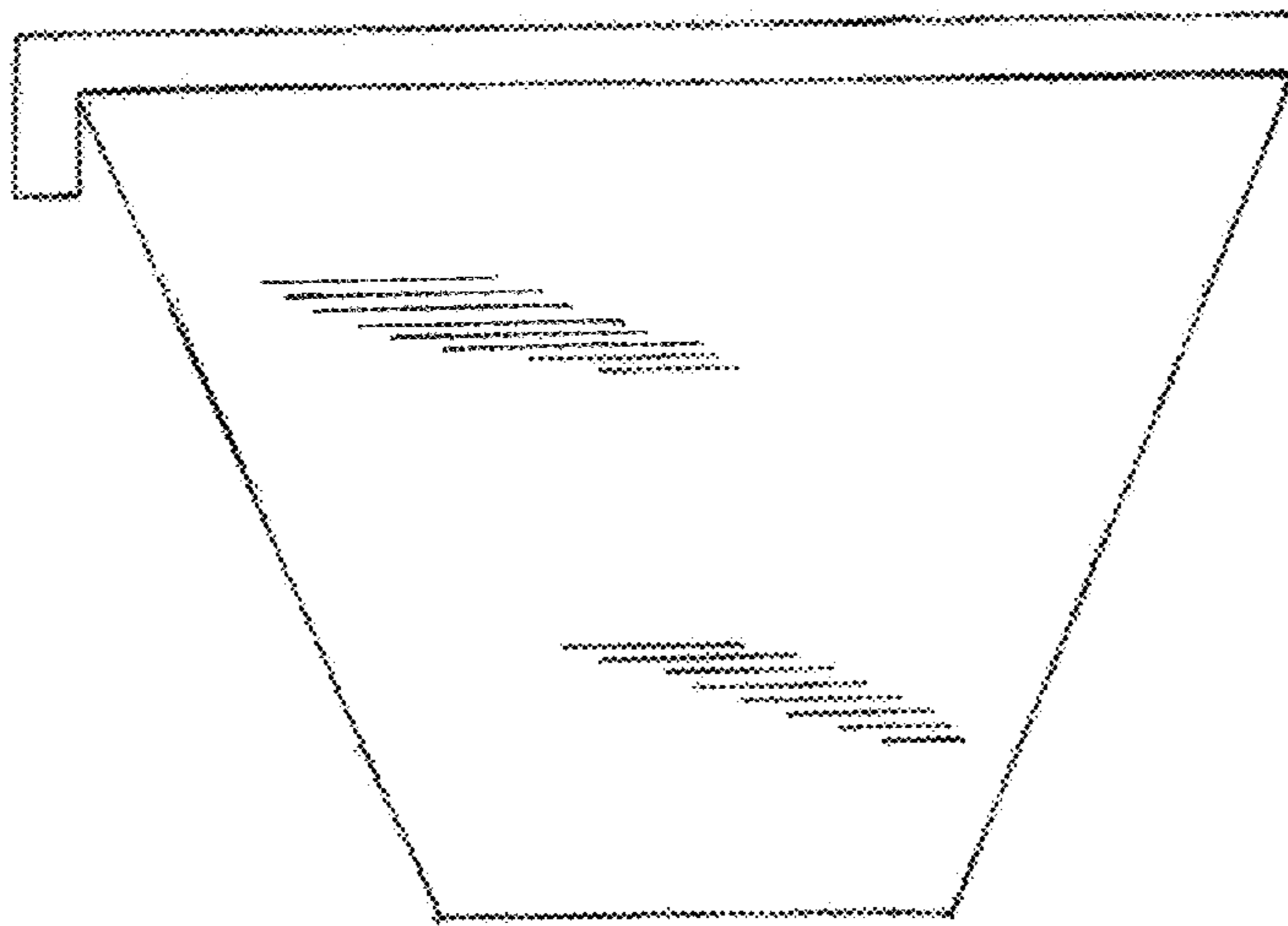
*Fig. 7*



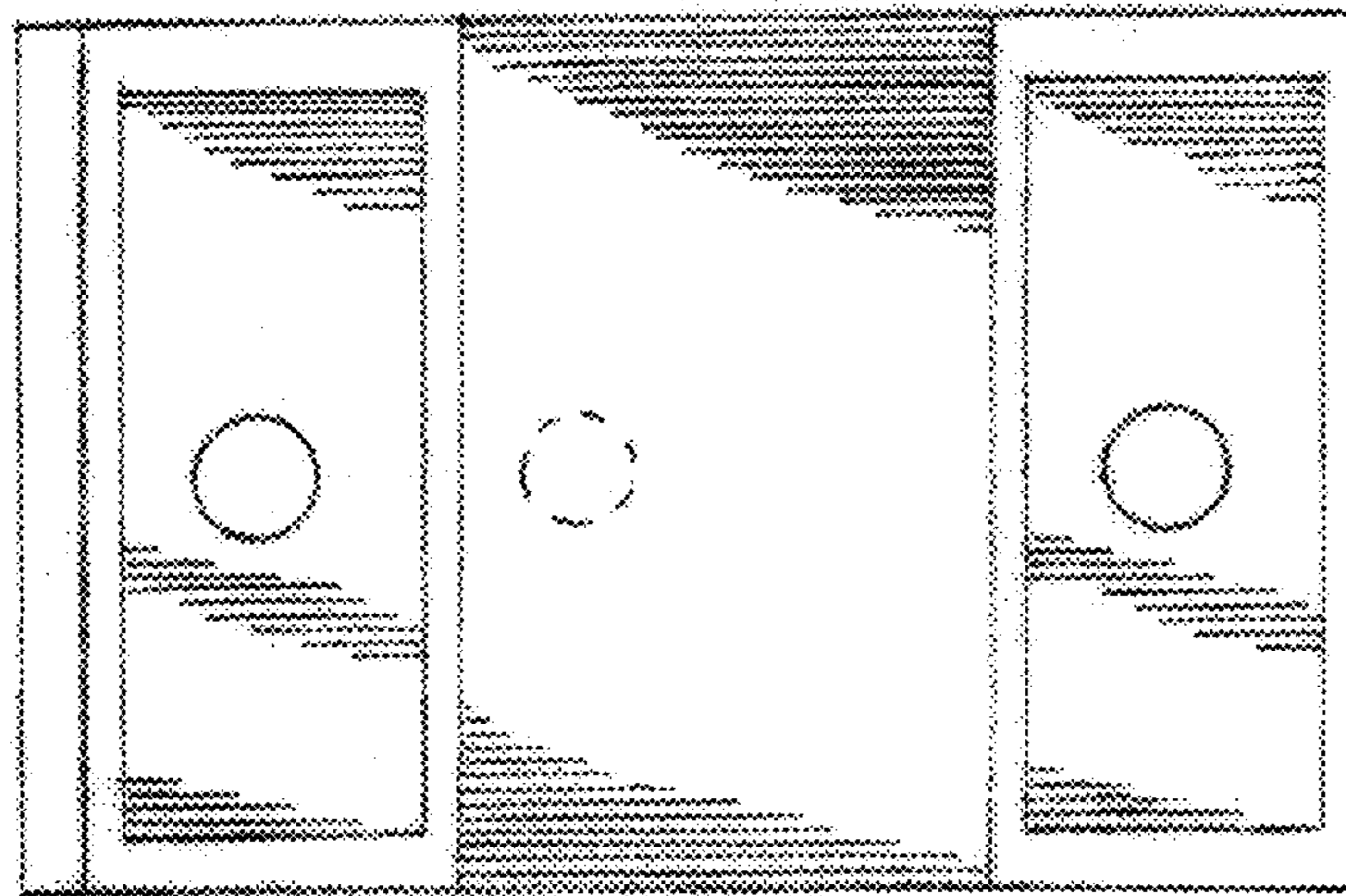
*Fig. 9*



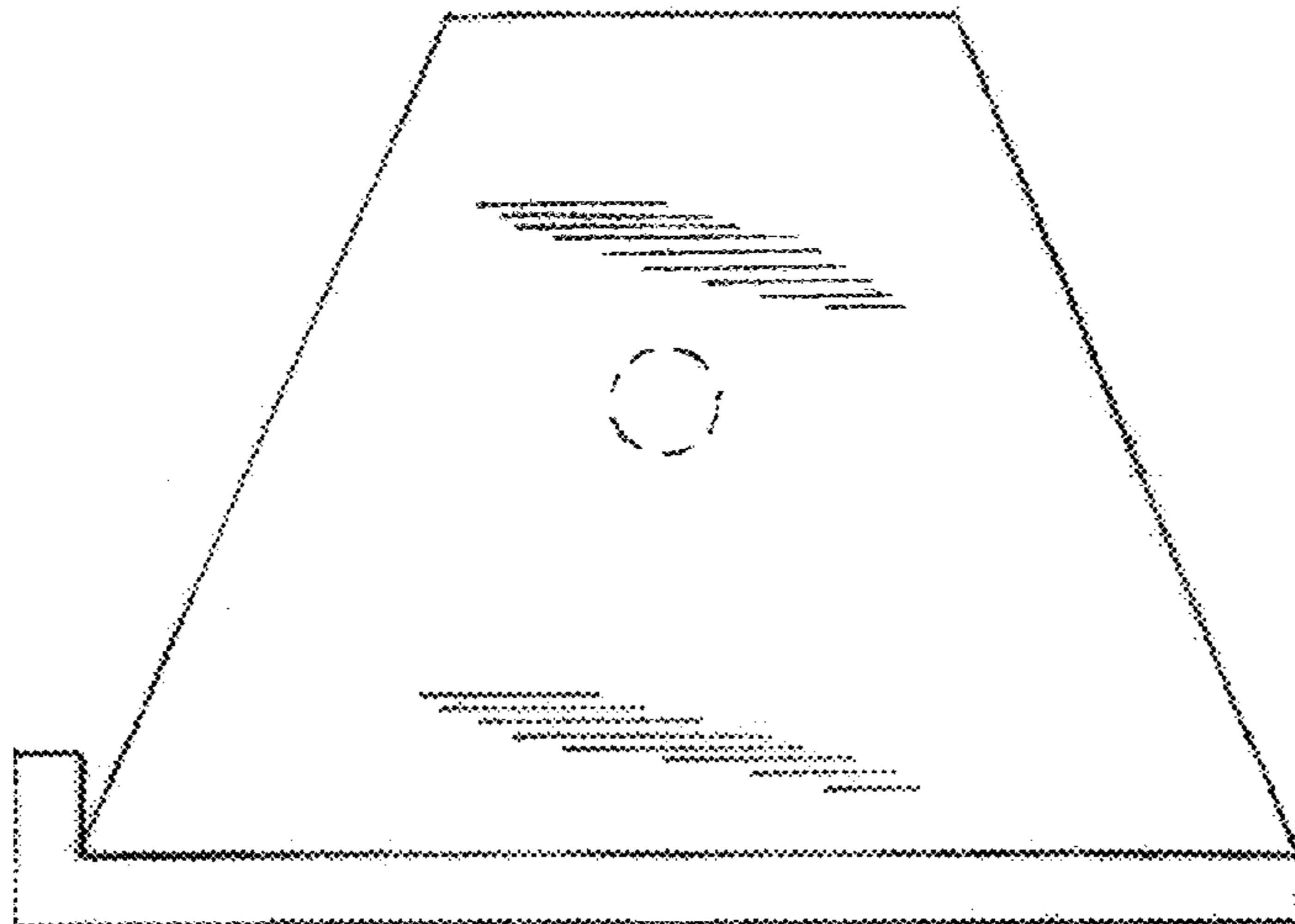
*Fig. 8*



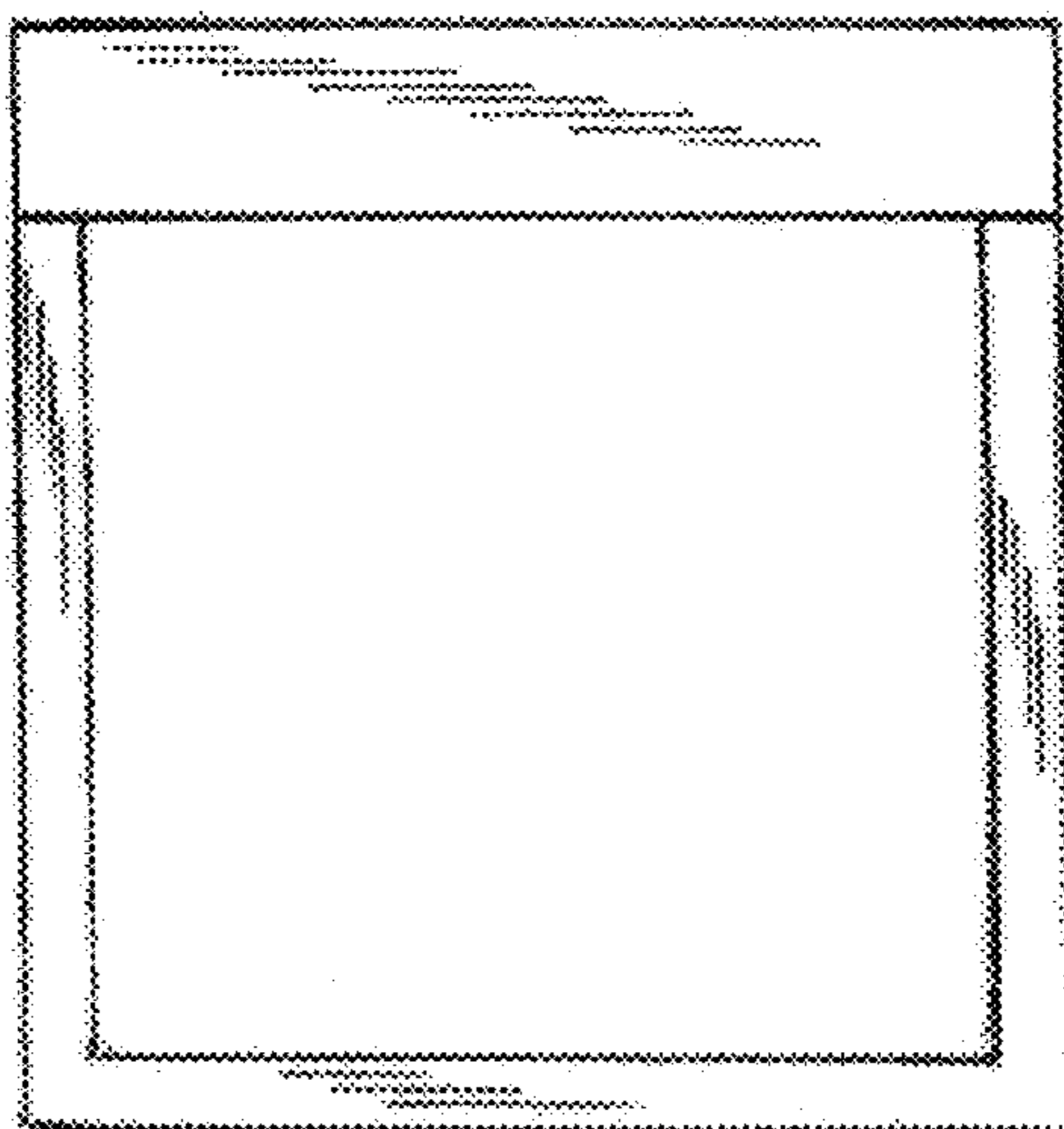
*Fig. 12*



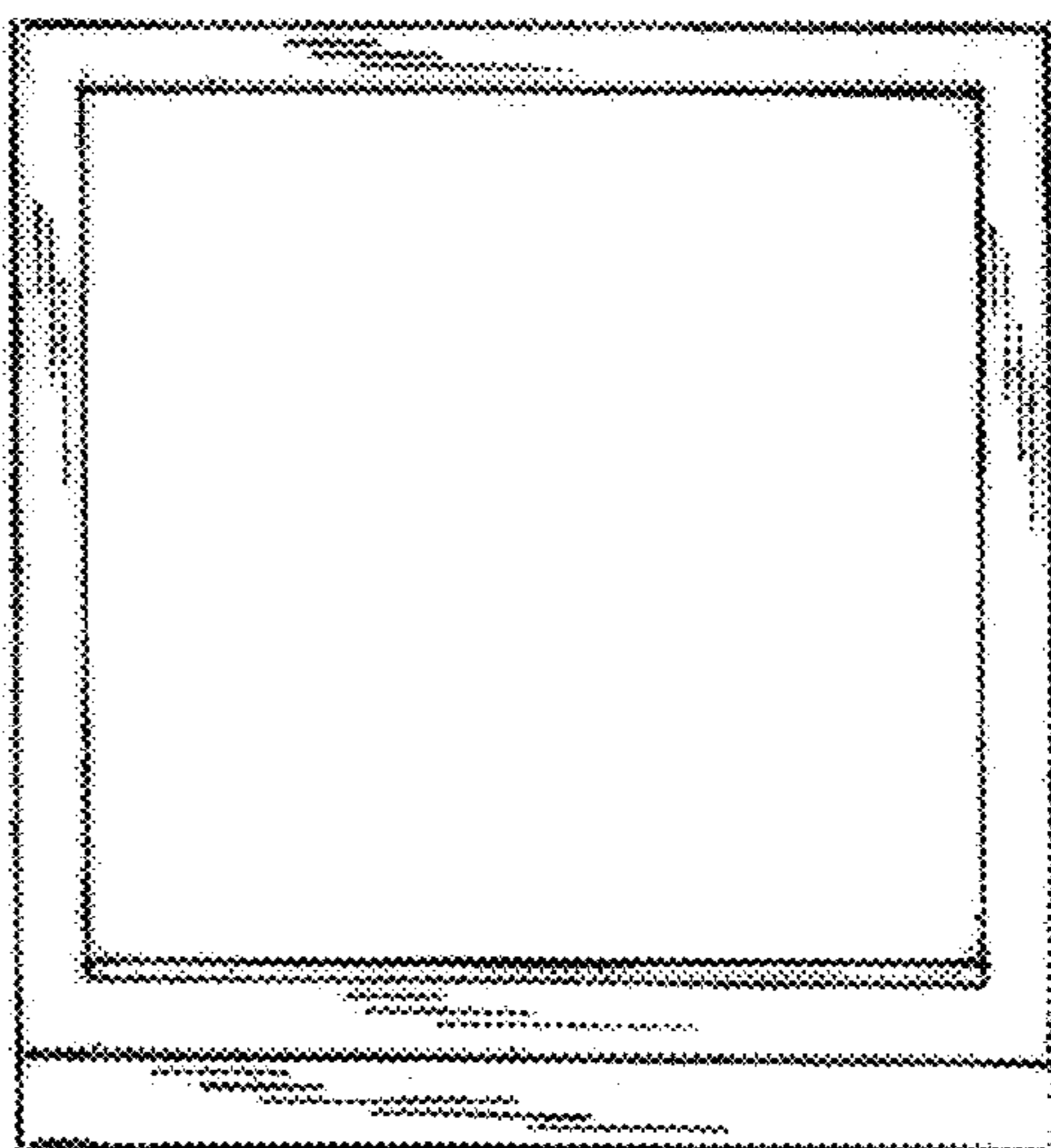
*Fig. 10*



*Fig. 11*



*Fig. 13*



*Fig. 14*