



US00D802488S

(12) **United States Design Patent** (10) **Patent No.:** **US D802,488 S**  
**Scott** (45) **Date of Patent:** **\*\* Nov. 14, 2017**

(54) **SPROCKET JAMMER**  
(71) Applicant: **Steven Richard Scott**, Curlew, WA (US)  
(72) Inventor: **Steven Richard Scott**, Curlew, WA (US)  
(73) Assignee: **Motion Pro, INC.**, Loomis, CA (US)  
(\*\*) Term: **15 Years**  
(21) Appl. No.: **29/577,591**  
(22) Filed: **Sep. 14, 2016**  
(51) **LOC (10) Cl.** ..... **12-11**  
(52) **U.S. Cl.**  
USPC ..... **D12/127**  
(58) **Field of Classification Search**  
USPC ..... D12/110, 114, 126, 127  
CPC ..... B62J 13/00; B62M 9/16; F16H 7/18  
See application file for complete search history.

8,096,908 B2 \* 1/2012 Oishi ..... B62M 9/10  
474/160  
D789,436 S \* 6/2017 McCurry ..... D16/134  
D793,913 S \* 8/2017 McGarry ..... D12/127  
D794,512 S \* 8/2017 McGarry ..... D12/127

\* cited by examiner

*Primary Examiner* — Darlington Ly  
(74) *Attorney, Agent, or Firm* — Larry B. Guernsey;  
Patent Law Office of Larry Guernsey

(57) **CLAIM**

The ornamental design for a sprocket jammer, as shown and described.

**DESCRIPTION**

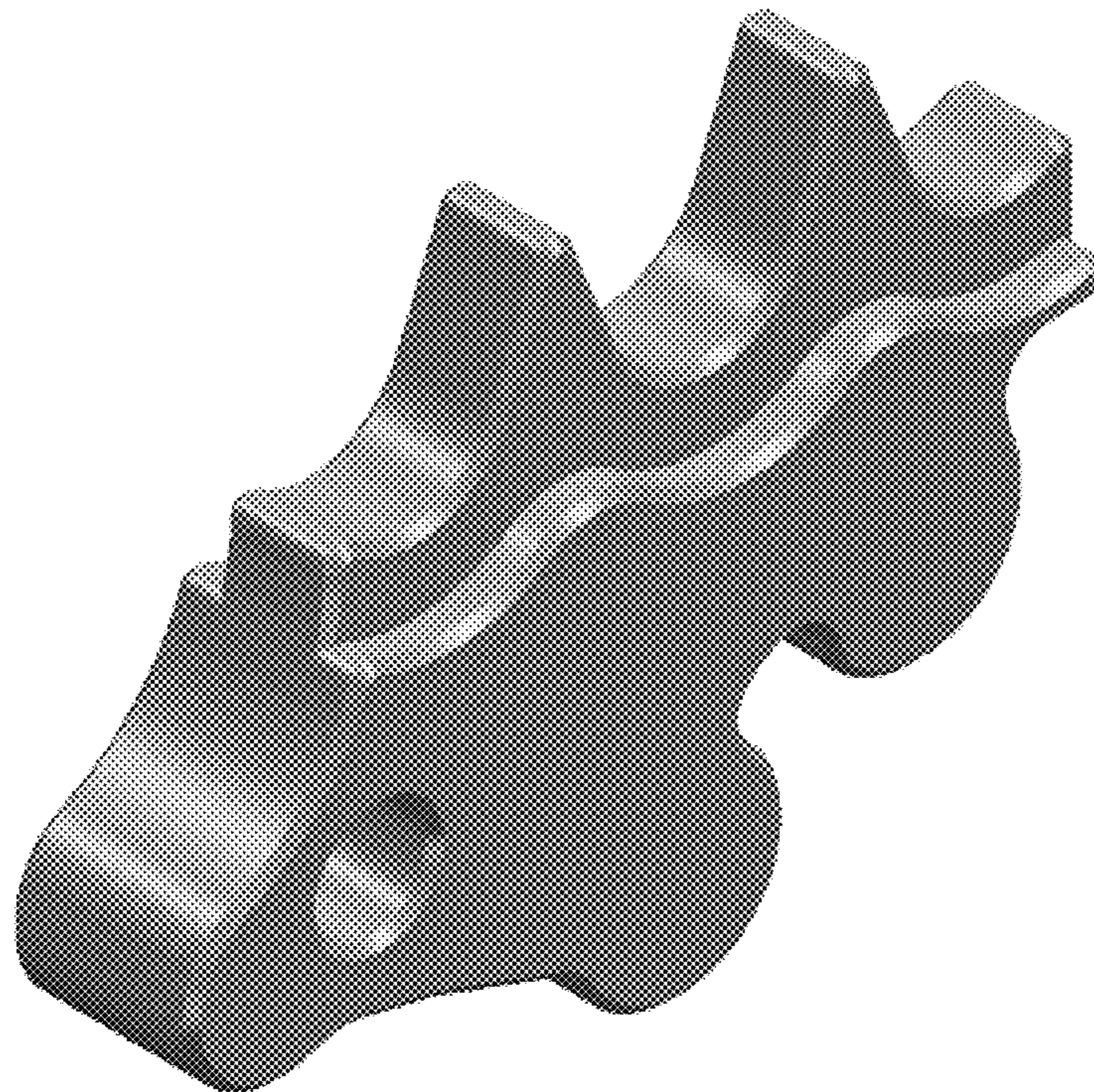
FIG. 1 is a top plan view of a sprocket jammer showing my new design;  
FIG. 2 is a front elevation view thereof;  
FIG. 3 is a right side elevation view thereof;  
FIG. 4 is a rear elevation view thereof;  
FIG. 5 is a left side elevation view thereof;  
FIG. 6 is a bottom plan view thereof;  
FIG. 7 is a front, bottom, and right side perspective view thereof;  
FIG. 8 is a front, bottom, and left side perspective view thereof;  
FIG. 9 is a front, top, and right side perspective view thereof;  
and,  
FIG. 10 is a front, top, and left side perspective view thereof.

(56) **References Cited**

U.S. PATENT DOCUMENTS

D288,421 S \* 2/1987 Hess ..... D12/123  
D366,017 S \* 1/1996 Boone ..... D12/123  
5,569,107 A \* 10/1996 Mu ..... B62M 9/10  
474/160  
D424,983 S \* 5/2000 Liang ..... D12/122  
D472,843 S \* 4/2003 Marquez-Pickering ..... D11/81  
D532,720 S \* 11/2006 McGarry ..... D12/127  
D600,600 S \* 9/2009 McGarry ..... D12/127  
D601,465 S \* 10/2009 McGarry ..... D12/127

**1 Claim, 10 Drawing Sheets**



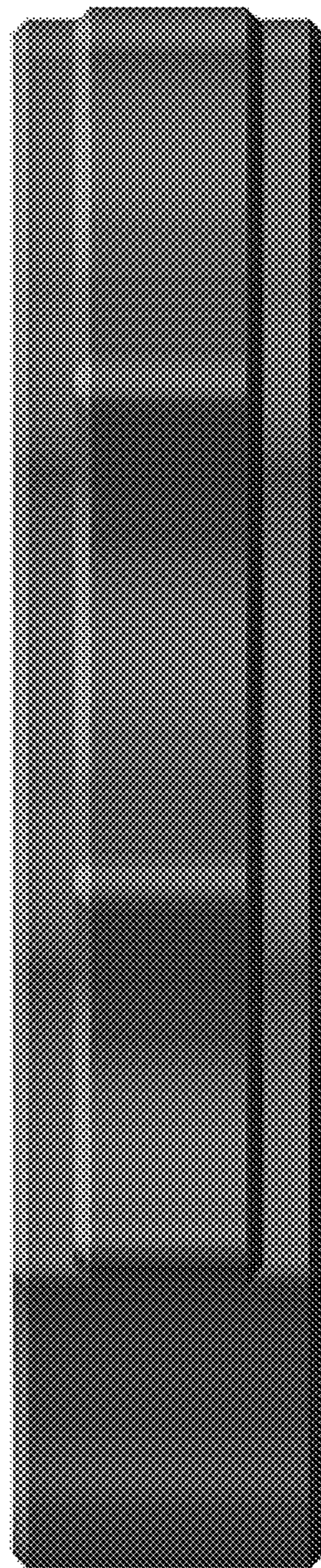


FIGURE 1

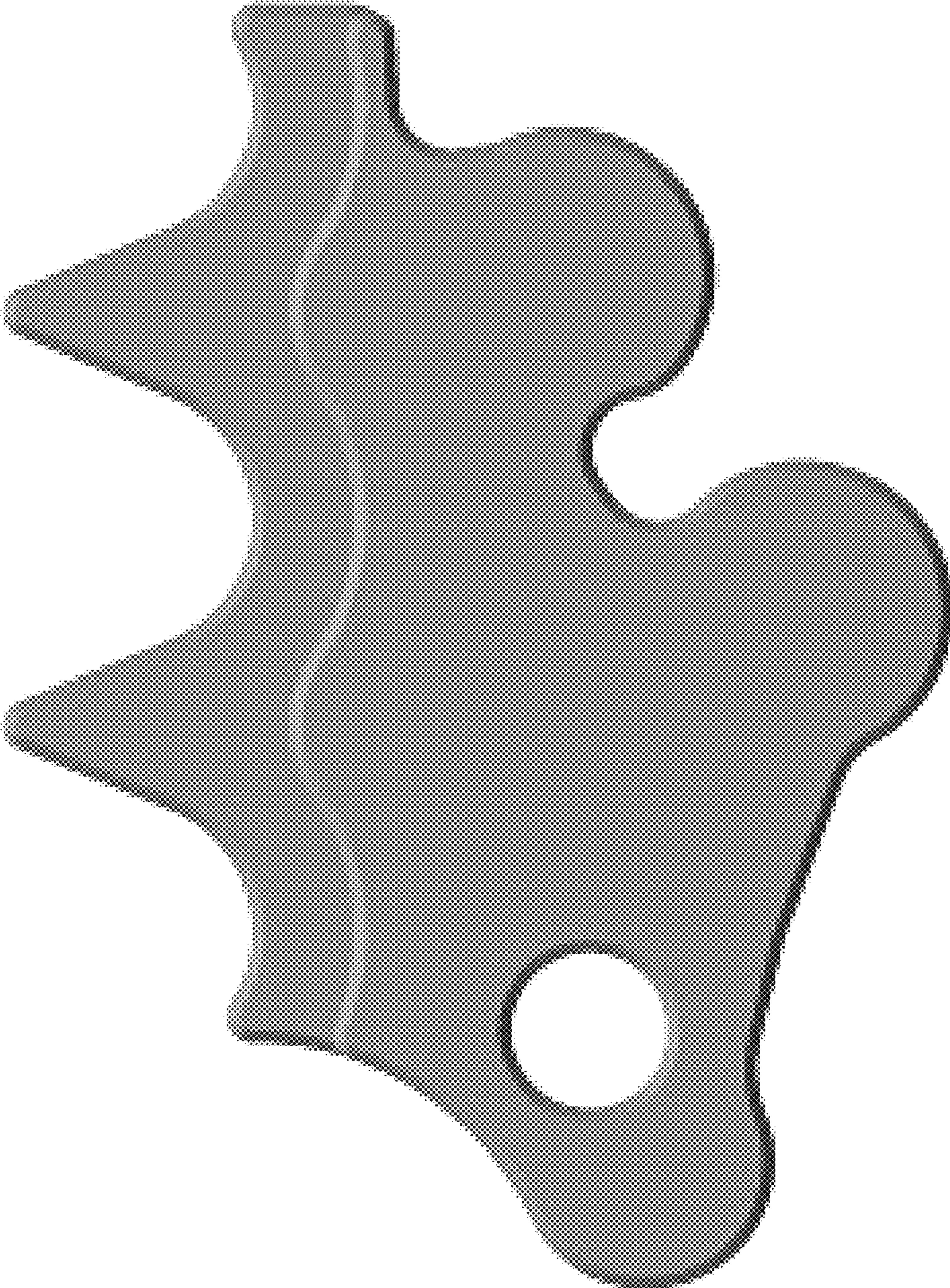


FIGURE 2

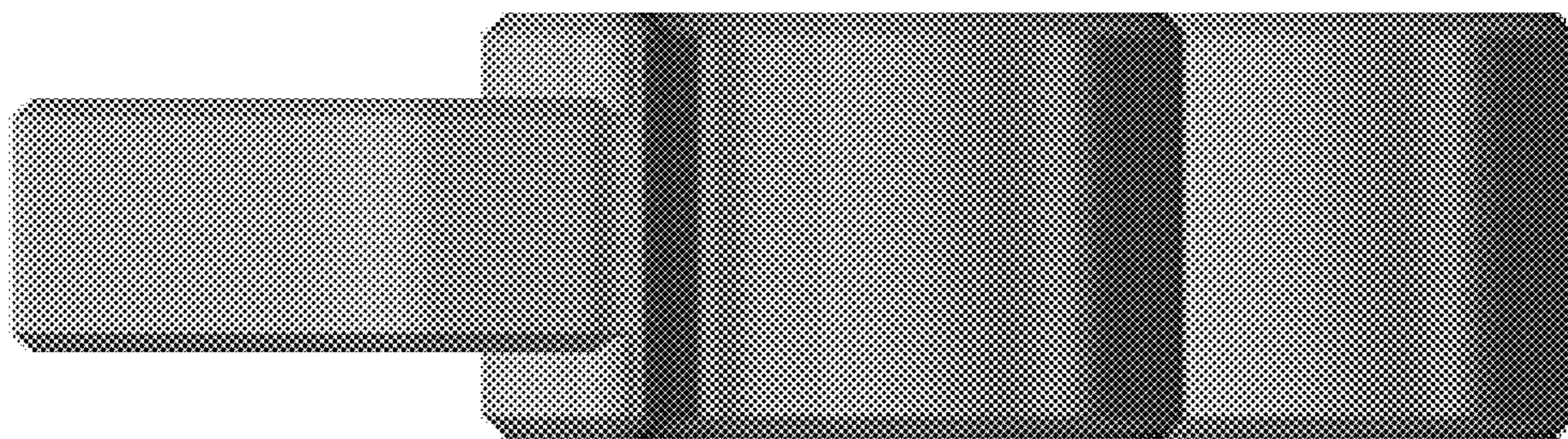


FIGURE 3

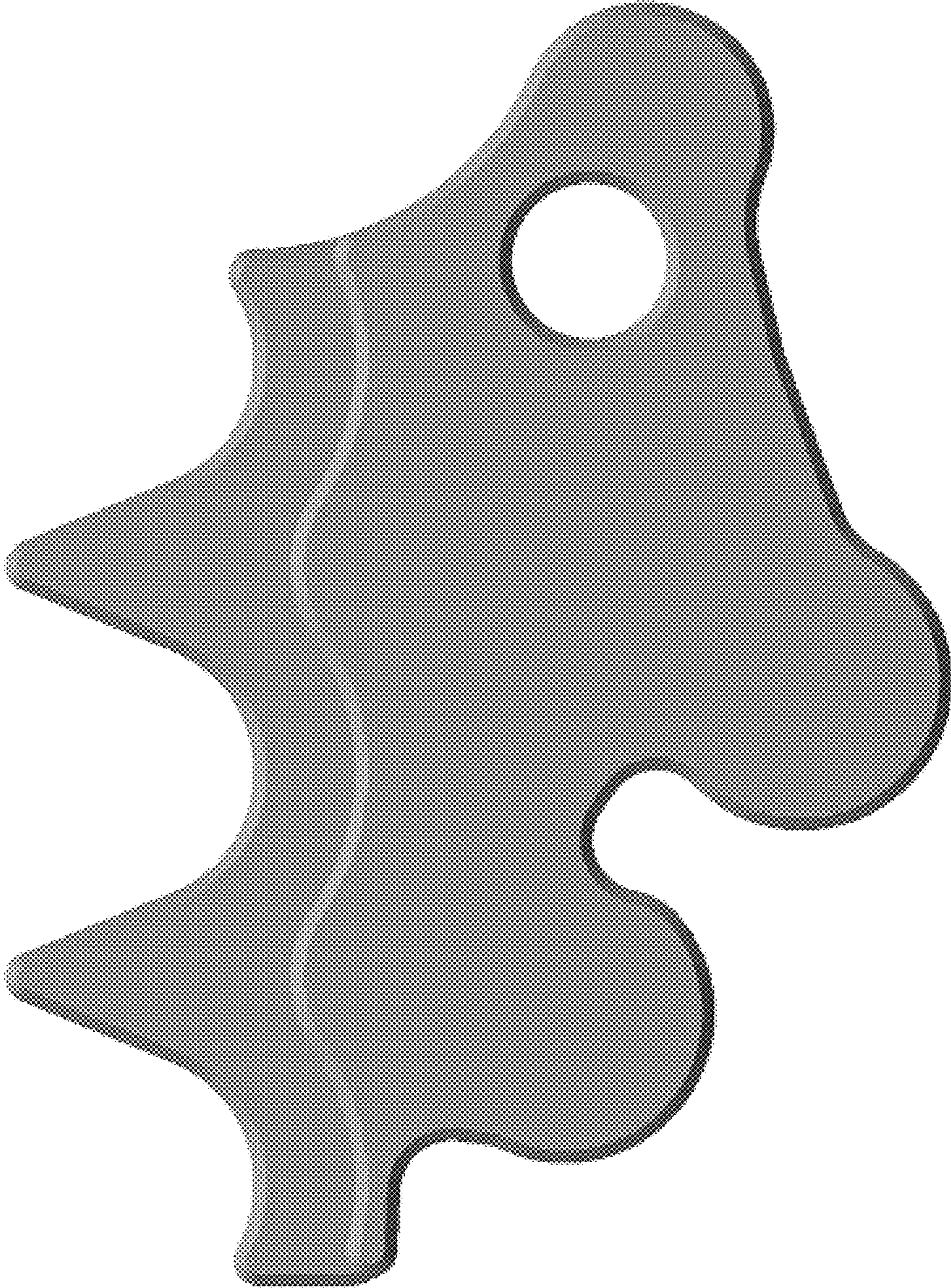


FIGURE 4

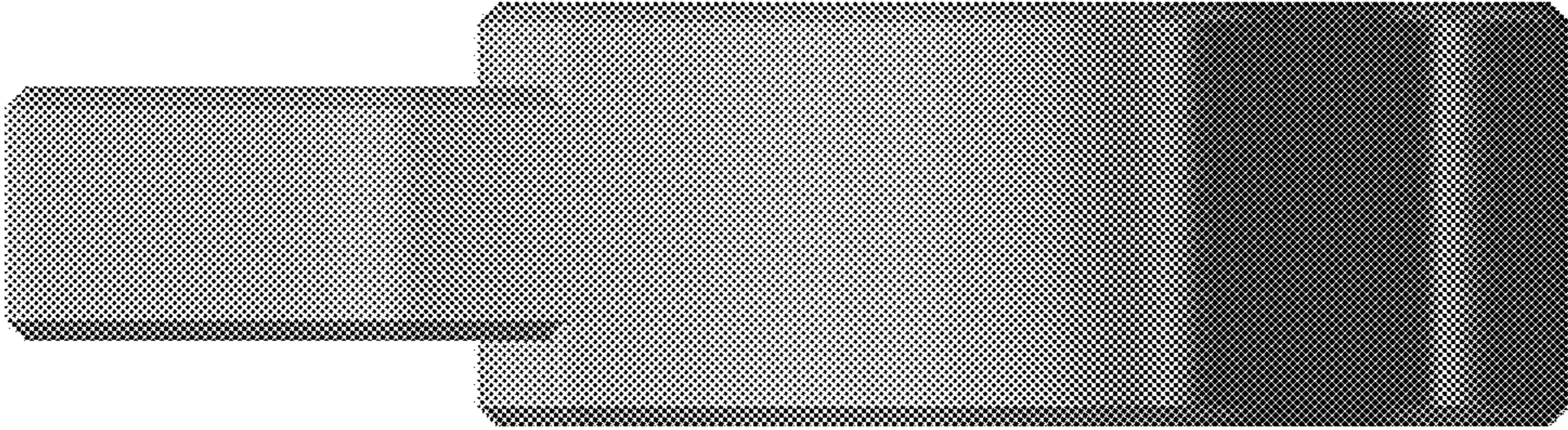


FIGURE 5

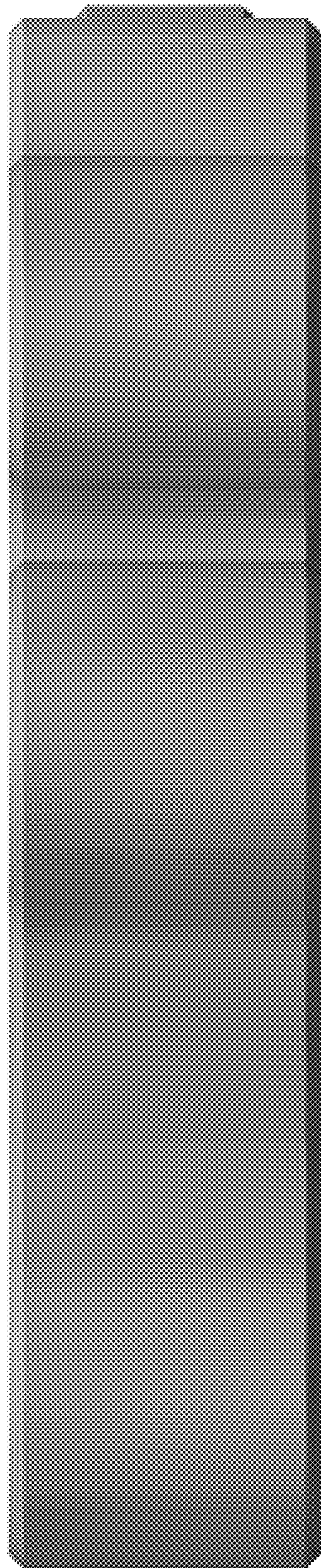


FIGURE 6

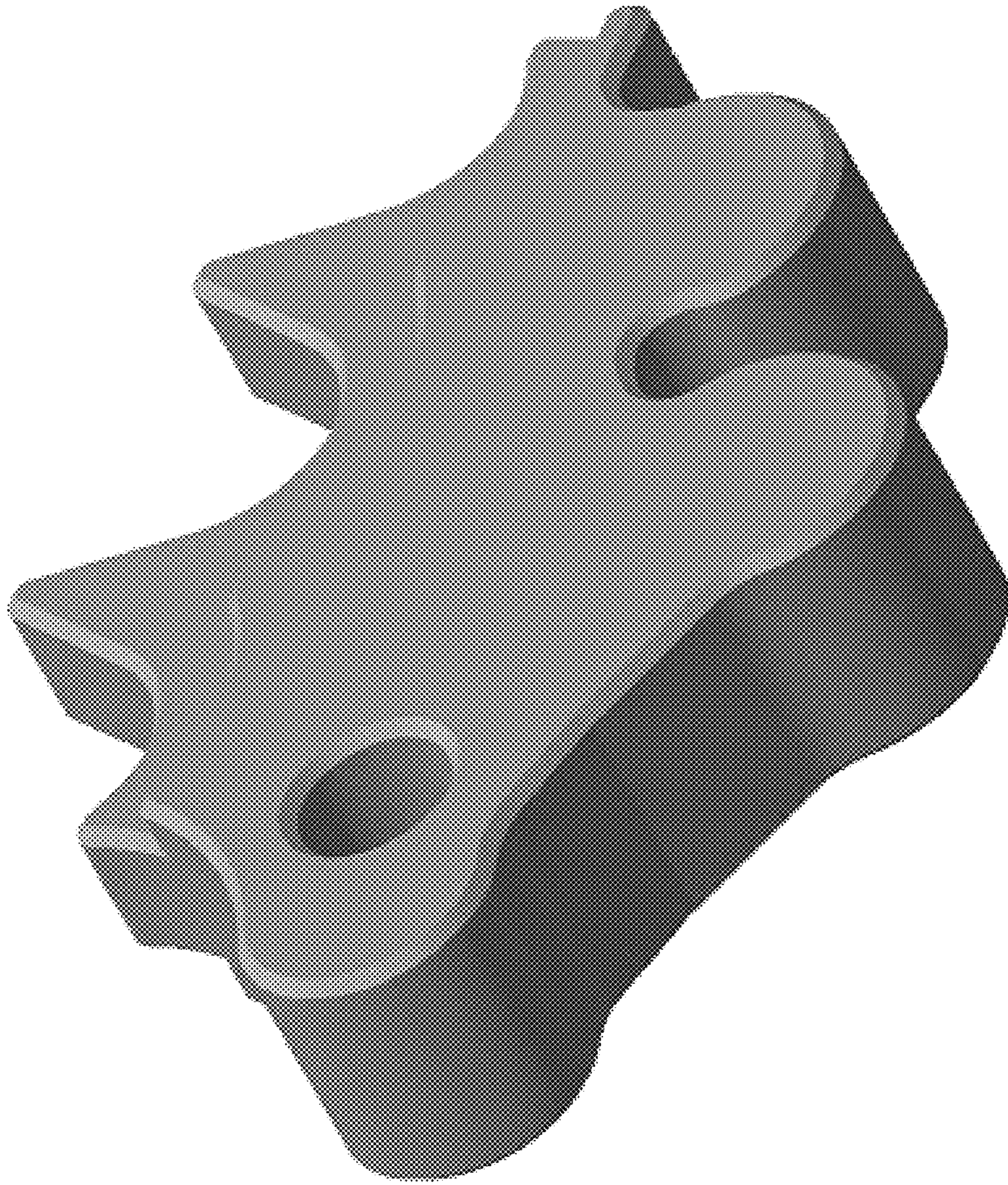


FIGURE 7



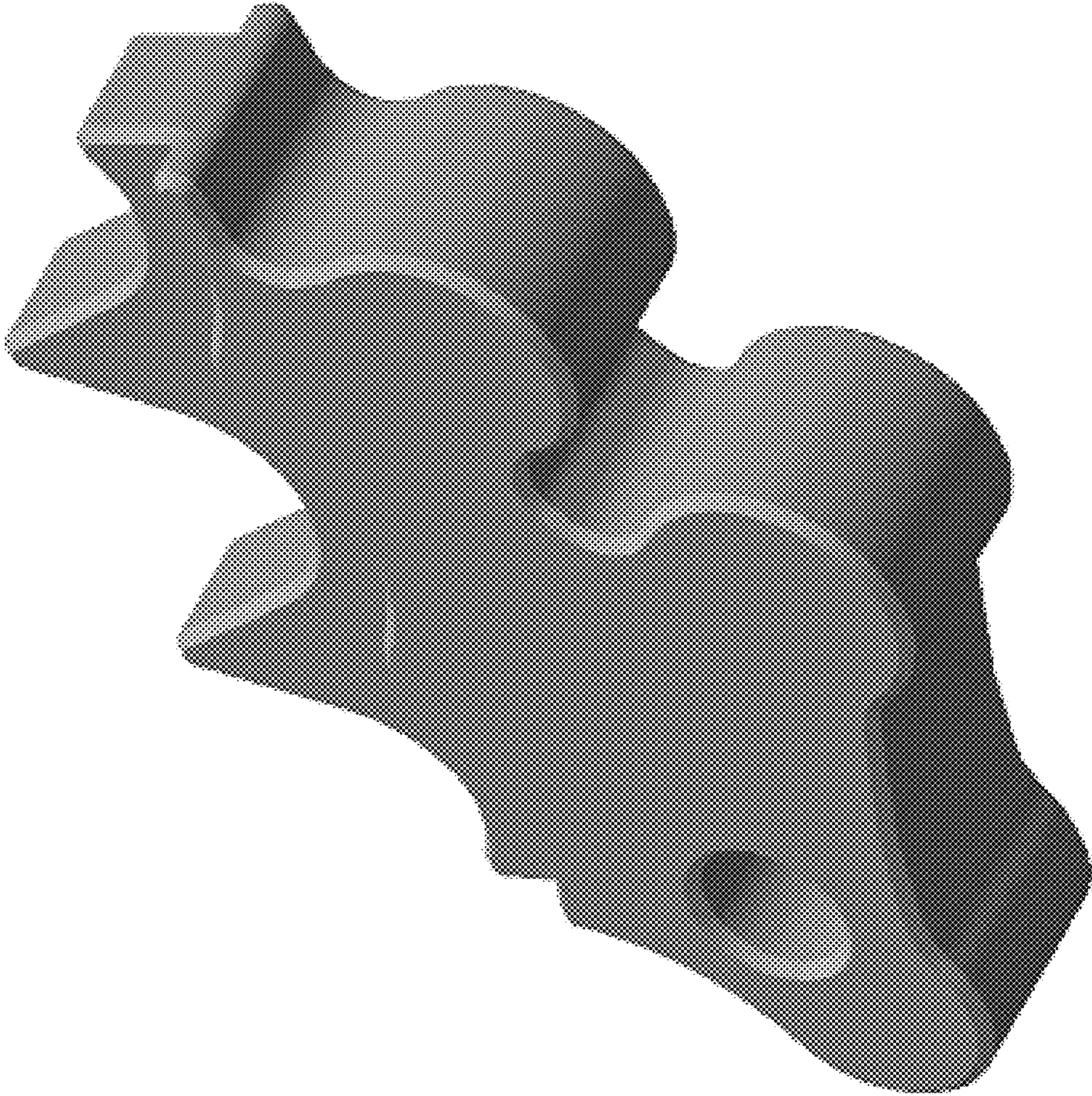


FIGURE 8

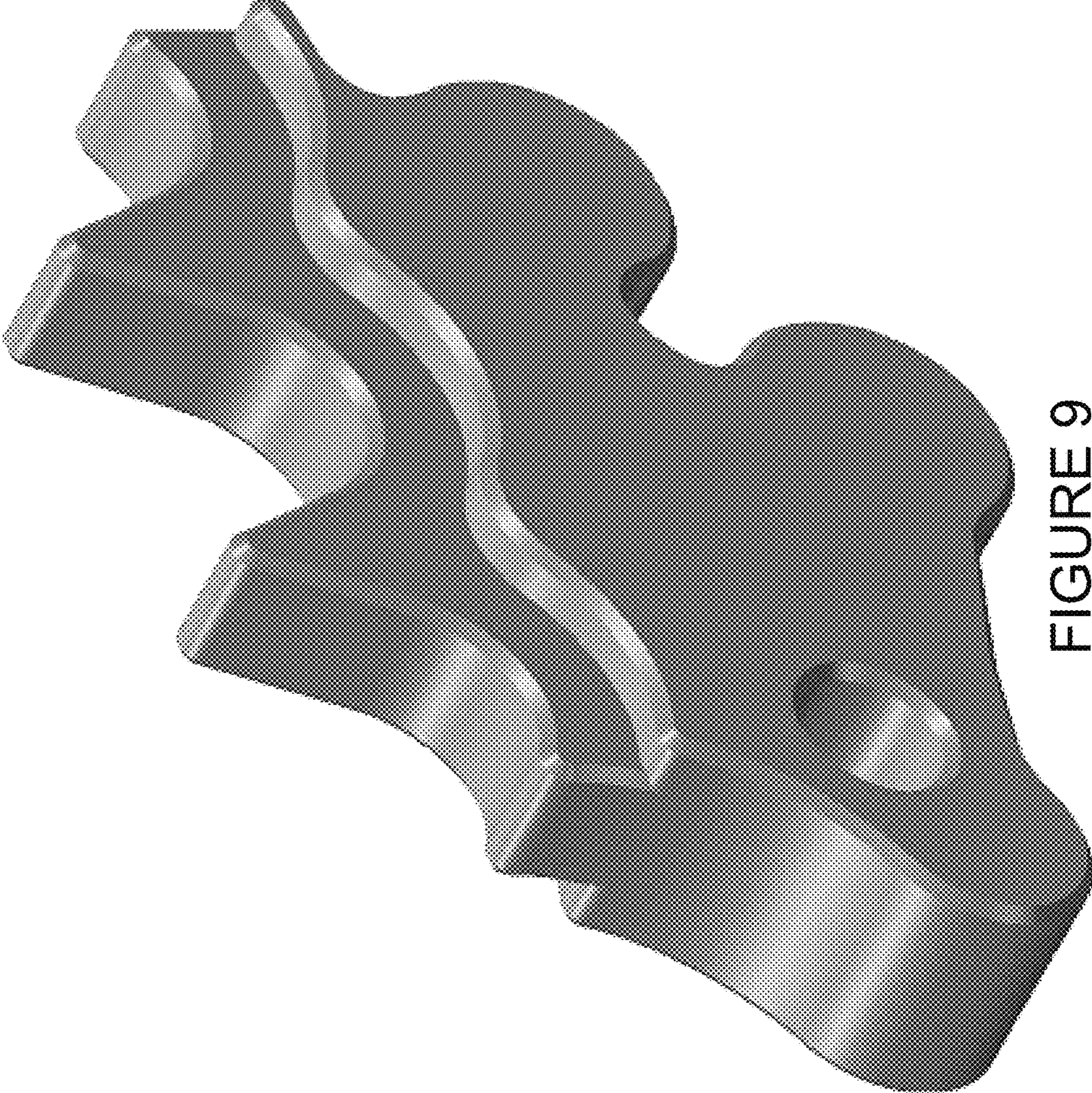


FIGURE 9

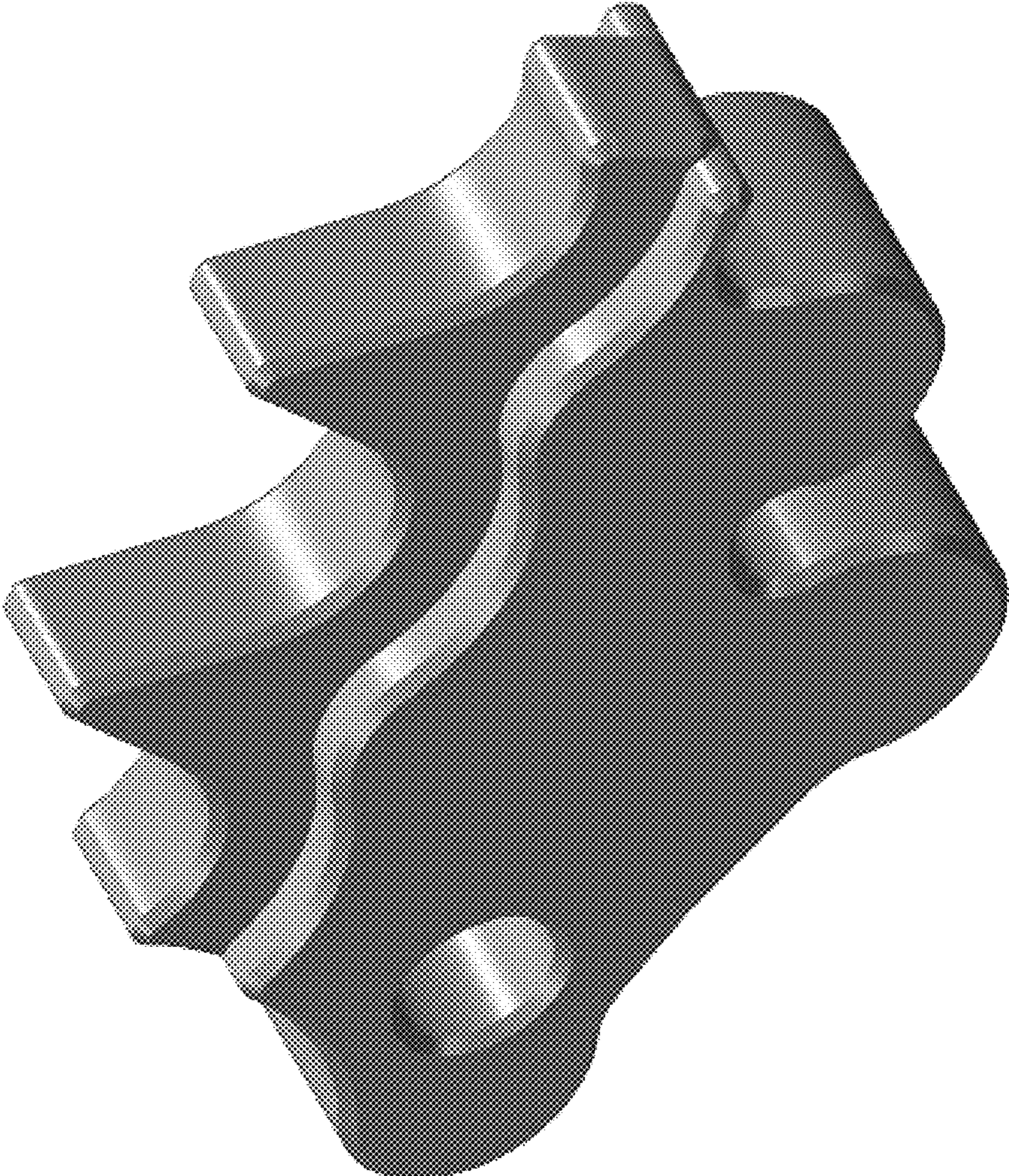


FIGURE 10