



US00D802484S

(12) **United States Design Patent**  
**Barkan**

(10) **Patent No.:** **US D802,484 S**

(45) **Date of Patent:** **\*\* Nov. 14, 2017**

(54) **AUTOMOTIVE BODY**

(71) Applicant: **Elad Barkan**, Karmiel (IL)

(72) Inventor: **Elad Barkan**, Karmiel (IL)

(\*\*) Term: **15 Years**

(21) Appl. No.: **29/620,007**

(22) Filed: **May 23, 2016**

(51) **LOC (10) Cl.** ..... **12-08**

(52) **U.S. Cl.**  
USPC ..... **D12/93**

(58) **Field of Classification Search**  
USPC ..... D12/86, 90-93, 98, 175, 177, 181, 184,  
D12/190, 196, 221  
CPC ..... B62D 35/00; B62D 35/001  
See application file for complete search history.

(56) **References Cited**

**U.S. PATENT DOCUMENTS**

D318,823 S *	8/1991	Wada	.....	D12/91
D318,829 S *	8/1991	Wada	.....	D12/96
D396,666 S *	8/1998	Allen	.....	D12/93
D419,919 S *	2/2000	McGovern	.....	D12/91
D430,068 S *	8/2000	Castiglione	.....	D12/98
D463,759 S *	10/2002	Okonkwo	.....	D12/98

D494,105 S *	8/2004	Hall	.....	D12/98
D551,127 S *	9/2007	Kruger	.....	D12/98
D564,946 S *	3/2008	Kruger	.....	D12/98
D566,004 S *	4/2008	Teague	.....	D12/86
D584,999 S *	1/2009	Sperling	.....	D12/98
D612,767 S *	3/2010	Barkan	.....	D12/86
D712,787 S *	9/2014	Mogami	.....	D12/91
D755,082 S *	5/2016	Gillam	.....	D12/98
D763,137 S *	8/2016	Rodriguez	.....	D12/98
D763,738 S *	8/2016	Dewitt	.....	D12/98

\* cited by examiner

*Primary Examiner* — George D Kirschbaum

*Assistant Examiner* — Joseph Kukella

(57) **CLAIM**

The ornamental design for an automotive body.

**DESCRIPTION**

FIG. 1—Is a perspective view showing both the front and left side of an automotive body, showing my new design.

FIG. 2.—Is a left side elevation view thereof;

FIG. 3.—Is a right side elevation view thereof;

FIG. 4.—Is a front elevation view thereof;

FIG. 5.—Is a back elevation view thereof; and,

FIG. 6.—Is a top view plan thereof.

In the drawings, the broken lines depict environmental subject matter only and form no part of the claimed design.

**1 Claim, 6 Drawing Sheets**

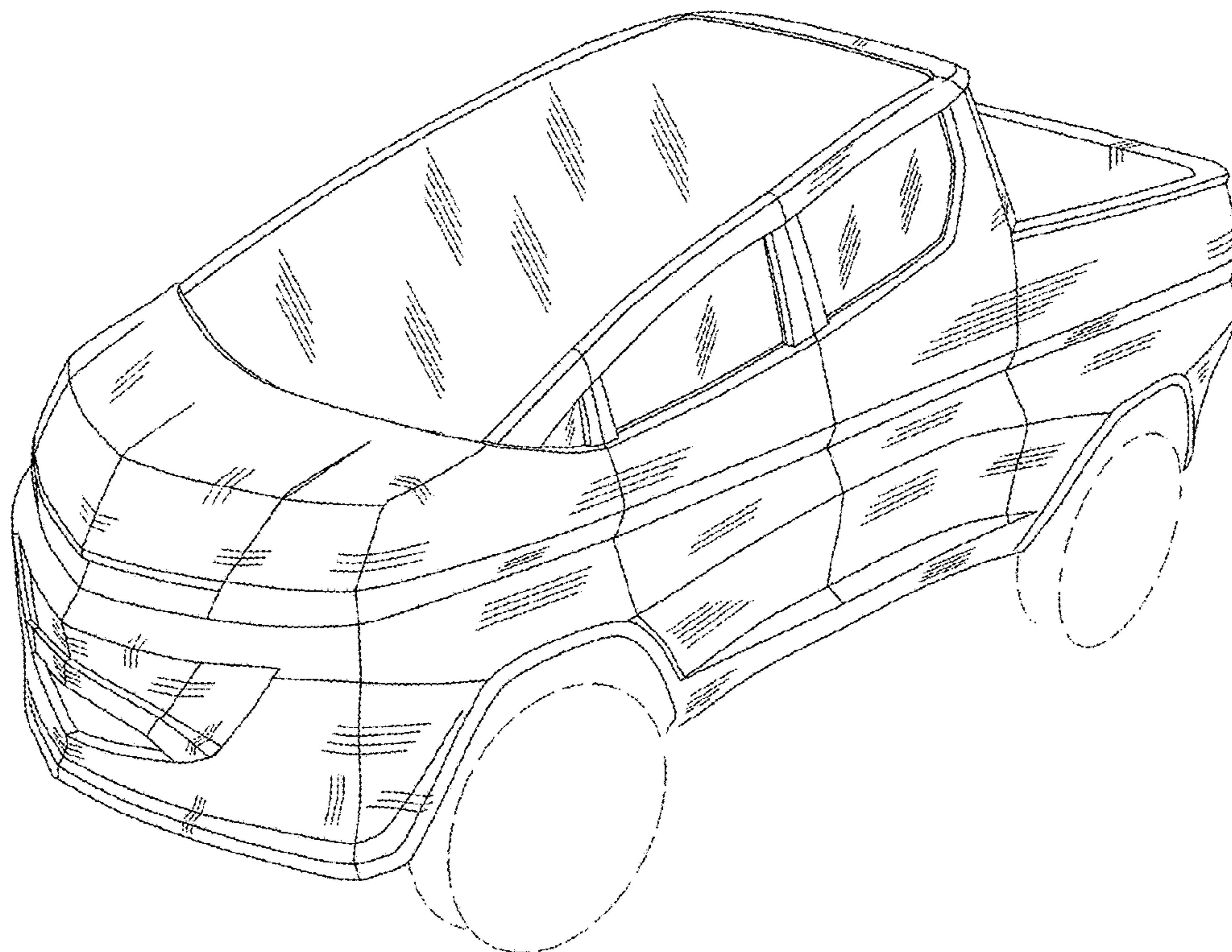


Fig. 1

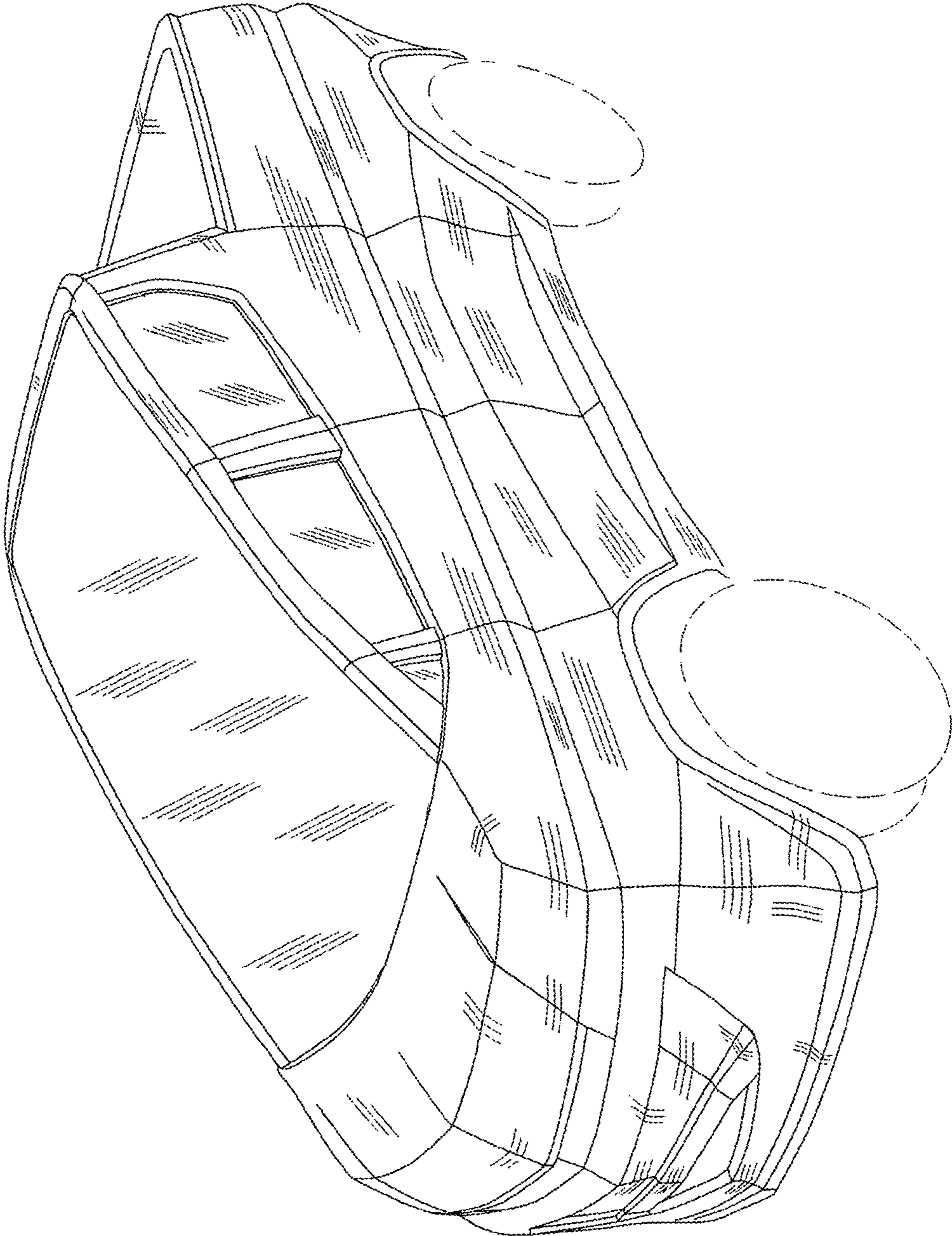


Fig. 2

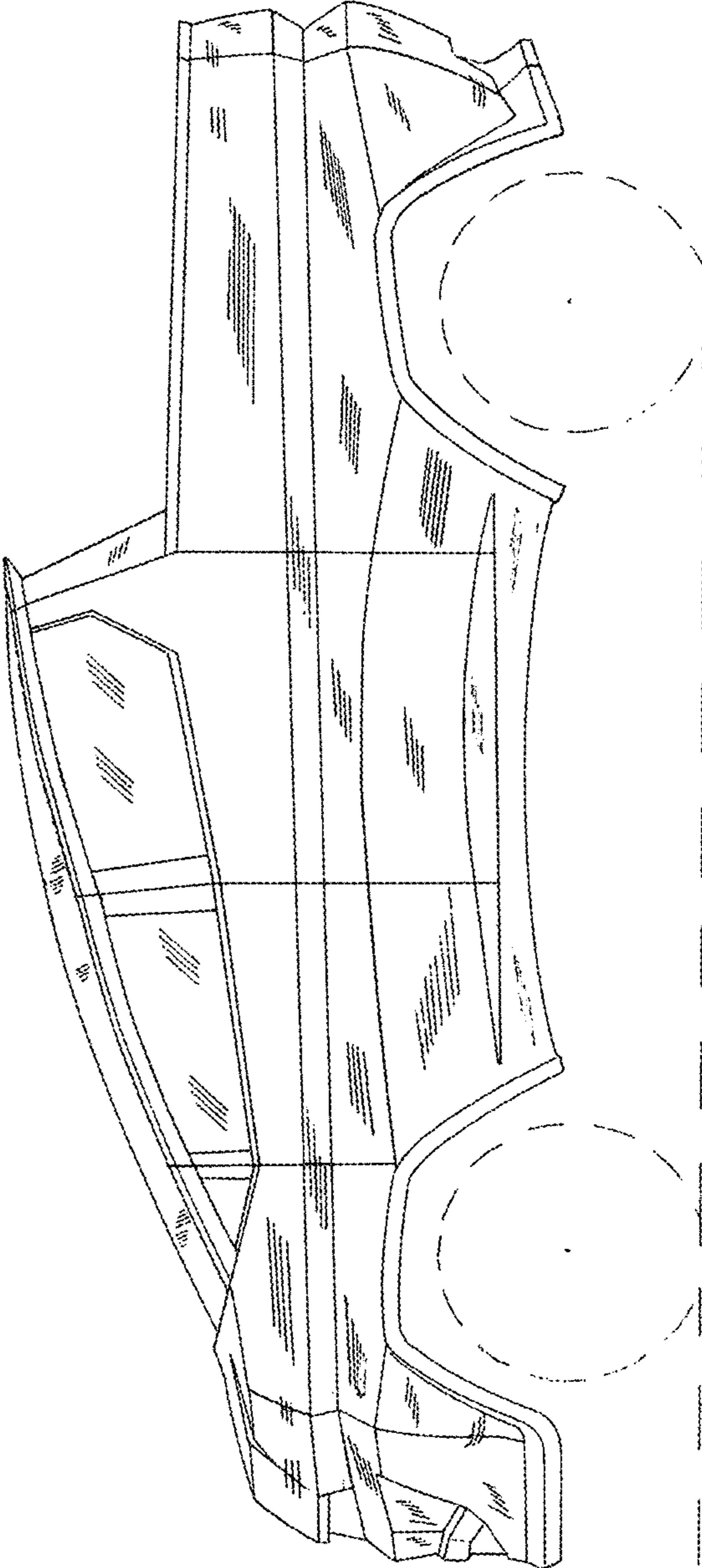




Fig. 3

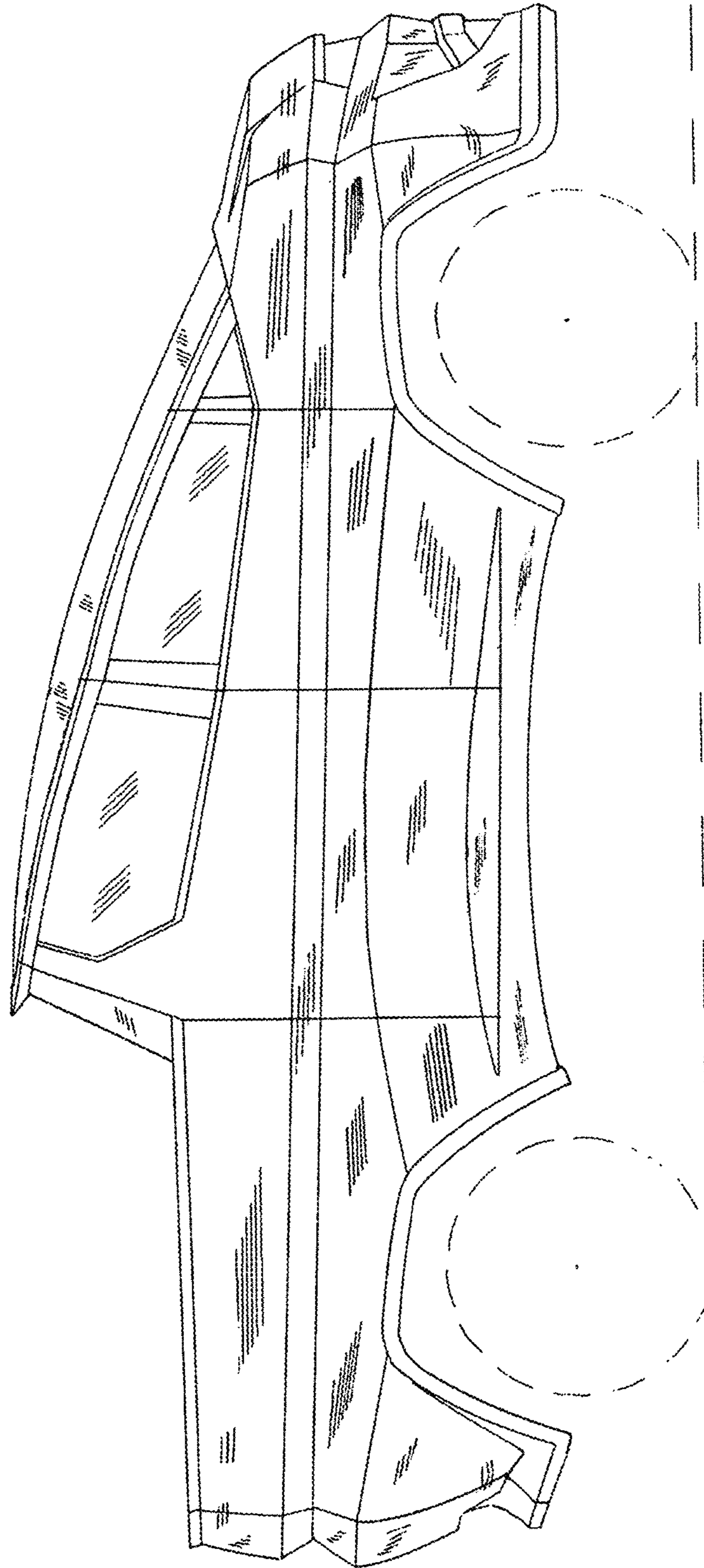


Fig. 4

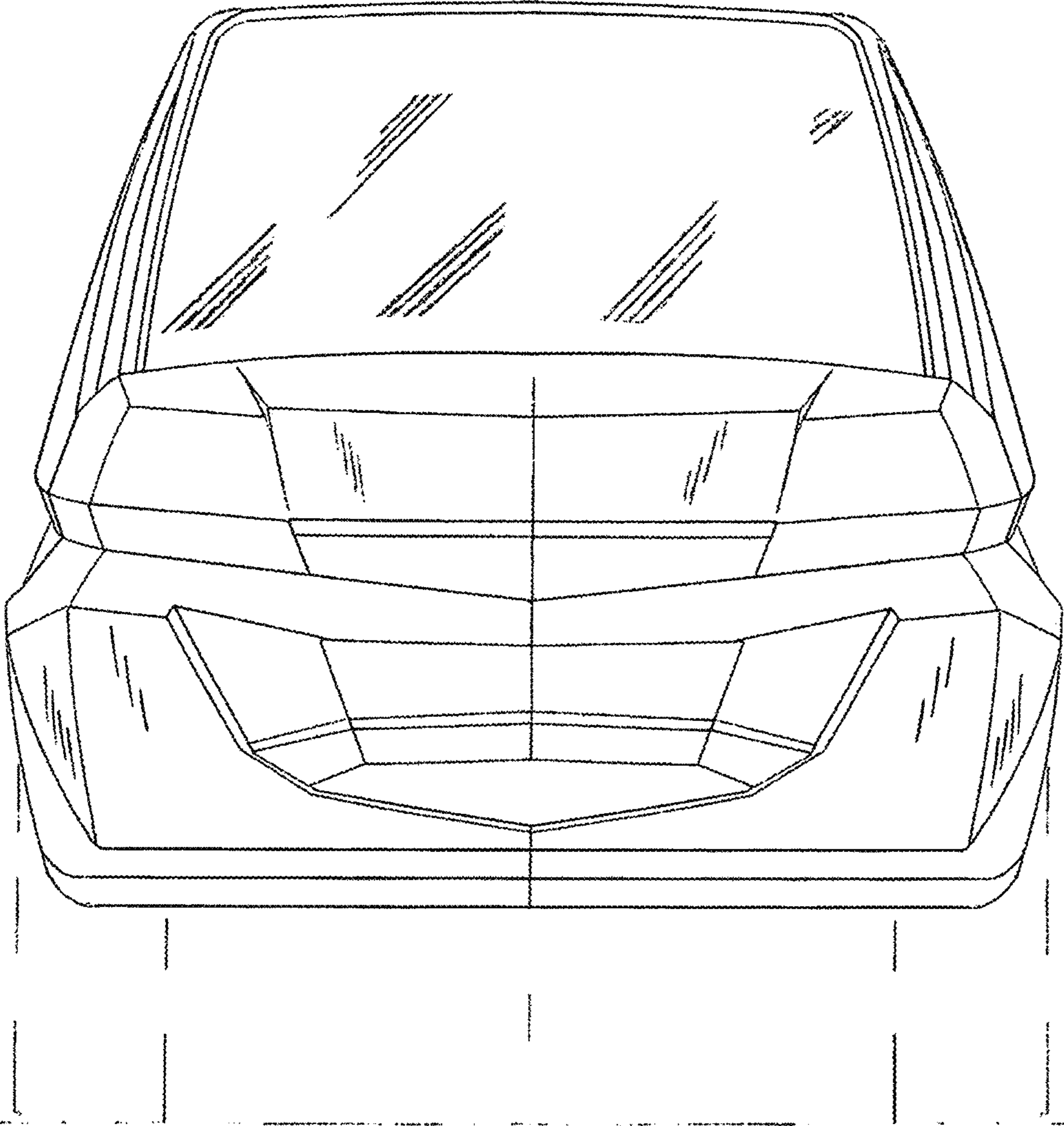


Fig. 5

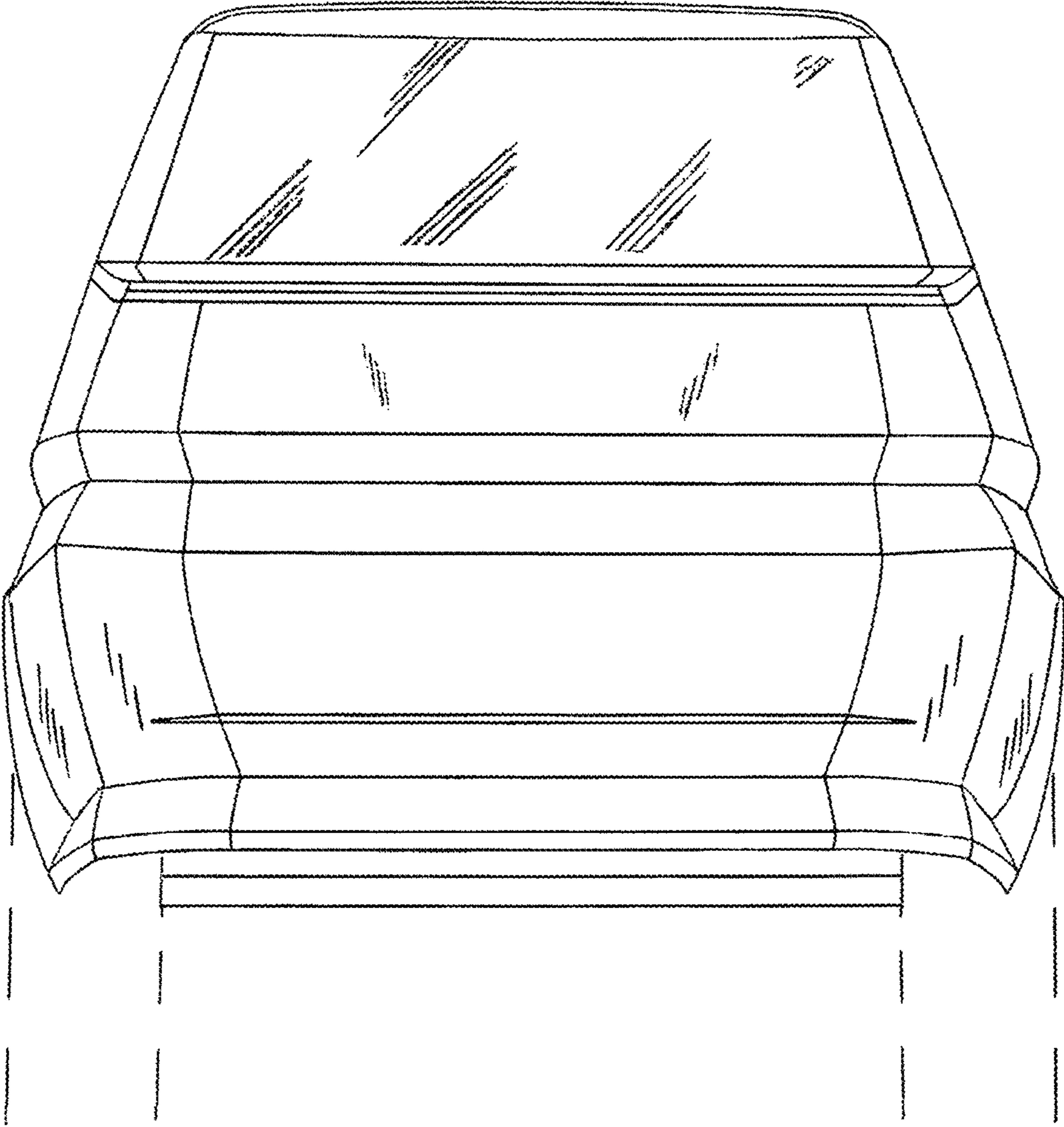


Fig. 6

