



US00D802481S

(12) **United States Design Patent**  
**Zhang et al.**

(10) **Patent No.:** **US D802,481 S**

(45) **Date of Patent:** **\*\* Nov. 14, 2017**

(54) **AUTOMOBILE**

(71) Applicant: **Guangzhou Automobile Group Co., Ltd.**, Guangzhou, Guangdong Province (CN)

(72) Inventors: **Fan Zhang**, Guangzhou (CN); **Zhiqiang Gao**, Guangzhou (CN); **Ka Dan**, Guangzhou (CN); **Chuanquan Shen**, Guangzhou (CN); **Qunfeng Zhang**, Guangzhou (CN); **Xiaojian Tang**, Guangzhou (CN); **Fang Wang**, Guangzhou (CN)

(73) Assignee: **GUANGZHOU AUTOMOBILE GROUP CO., LTD.**, Guangzhou (CN)

(\*\*) Term: **15 Years**

(21) Appl. No.: **29/578,659**

(22) Filed: **Sep. 23, 2016**

(30) **Foreign Application Priority Data**

Mar. 31, 2016 (CN) ..... 201630103733.8

(51) **LOC (10) Cl.** ..... **12-08**

(52) **U.S. Cl.**  
USPC ..... **D12/91**

(58) **Field of Classification Search**  
USPC ..... D12/90-92, 164, 169, 196;  
296/181.1-181.5; D21/548, 560  
CPC ..... B60Y 2306/01; B60K 11/085  
See application file for complete search history.

(56) **References Cited**

**U.S. PATENT DOCUMENTS**

D466,051 S \* 11/2002 Stoddard ..... D12/91  
D506,955 S \* 7/2005 Allen ..... D12/163

D532,717 S \* 11/2006 Dolan ..... D12/91  
D542,181 S \* 5/2007 Dolan ..... D12/91  
D586,697 S \* 2/2009 Nagode ..... D12/91  
D713,308 S \* 9/2014 Galante ..... D12/196  
D725,550 S \* 3/2015 Wolff ..... D12/91  
D727,210 S \* 4/2015 Grake ..... D12/91  
D733,004 S \* 6/2015 Huang ..... D12/91  
D734,230 S \* 7/2015 Wheel ..... D12/196  
D751,005 S \* 3/2016 Galante ..... D12/164  
D752,481 S \* 3/2016 Frascella ..... D12/91  
D760,137 S \* 6/2016 Galante ..... D12/196

**OTHER PUBLICATIONS**

Motortrend: Announced May 18, 2015 [online], site visited Jun. 21, 2017. Available from Internet URL: <http://www.motortrend.com/cars/ford/explorer/2015/>. \*

\* cited by examiner

*Primary Examiner* — John Windmuller

*Assistant Examiner* — Melvin L Davis

(74) *Attorney, Agent, or Firm* — Ladas & Parry LLP

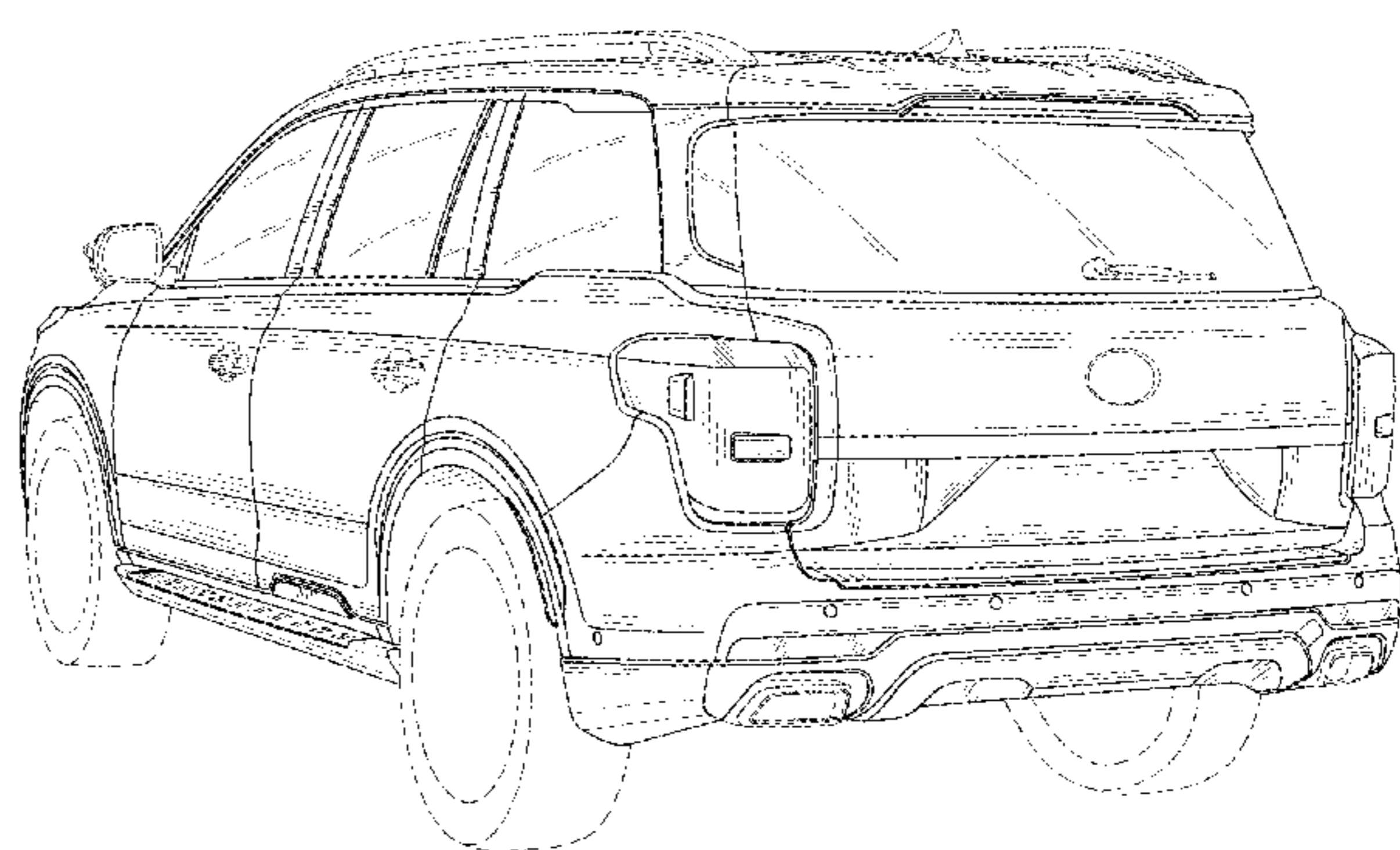
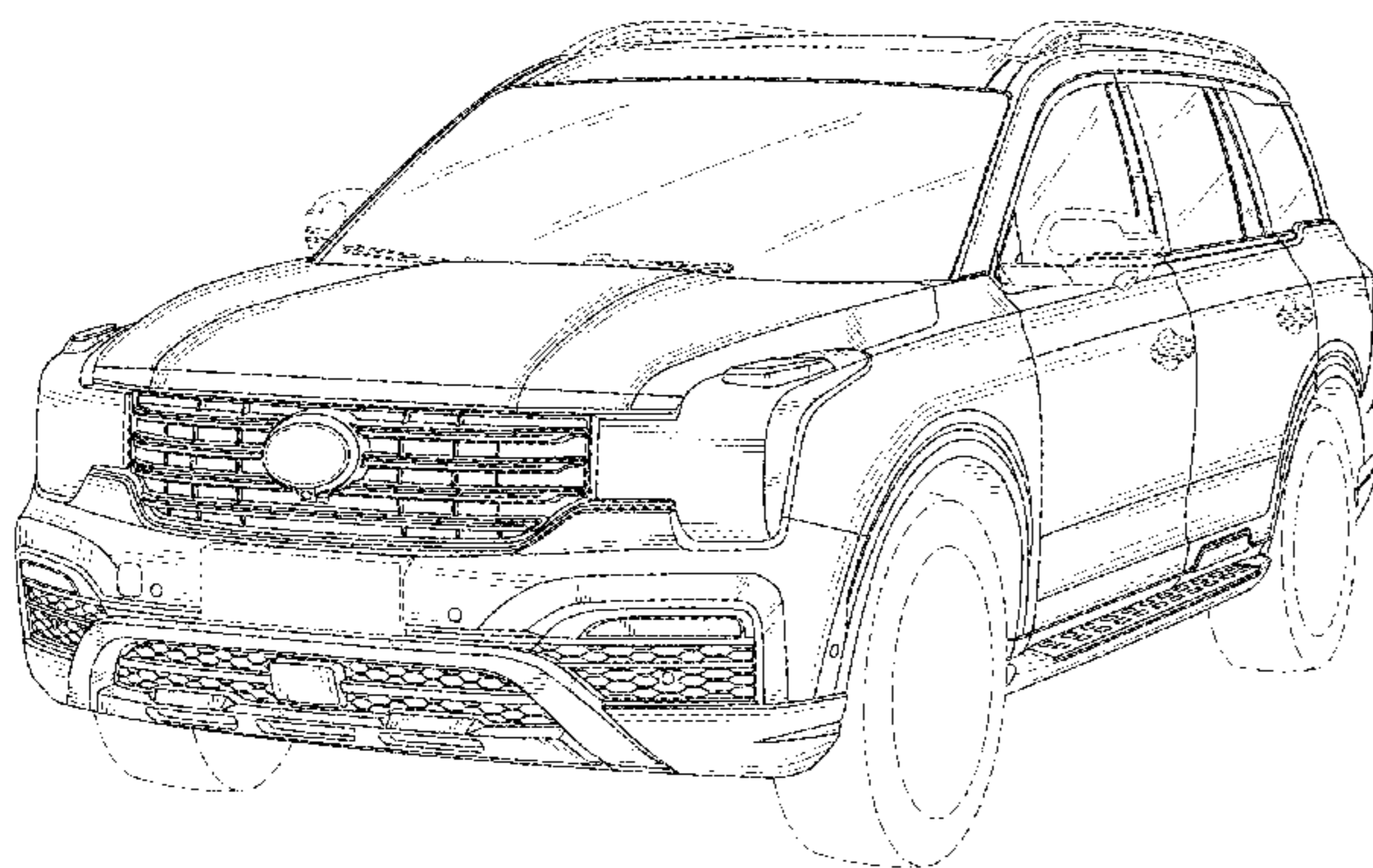
(57) **CLAIM**

The ornamental design for an automobile, as shown and described.

**DESCRIPTION**

FIG. 1 is a perspective view of an automobile showing our new design;  
FIG. 2 is a rear perspective view thereof;  
FIG. 3 is a Front View thereof;  
FIG. 4 is a Rear View thereof;  
FIG. 5 is a Left Side View thereof;  
FIG. 6 is a Right Side View thereof; and,  
FIG. 7 is a Top View thereof.  
The broken lines in the drawings shown represent portions of the automobile that form no part of the claimed design.

**1 Claim, 7 Drawing Sheets**



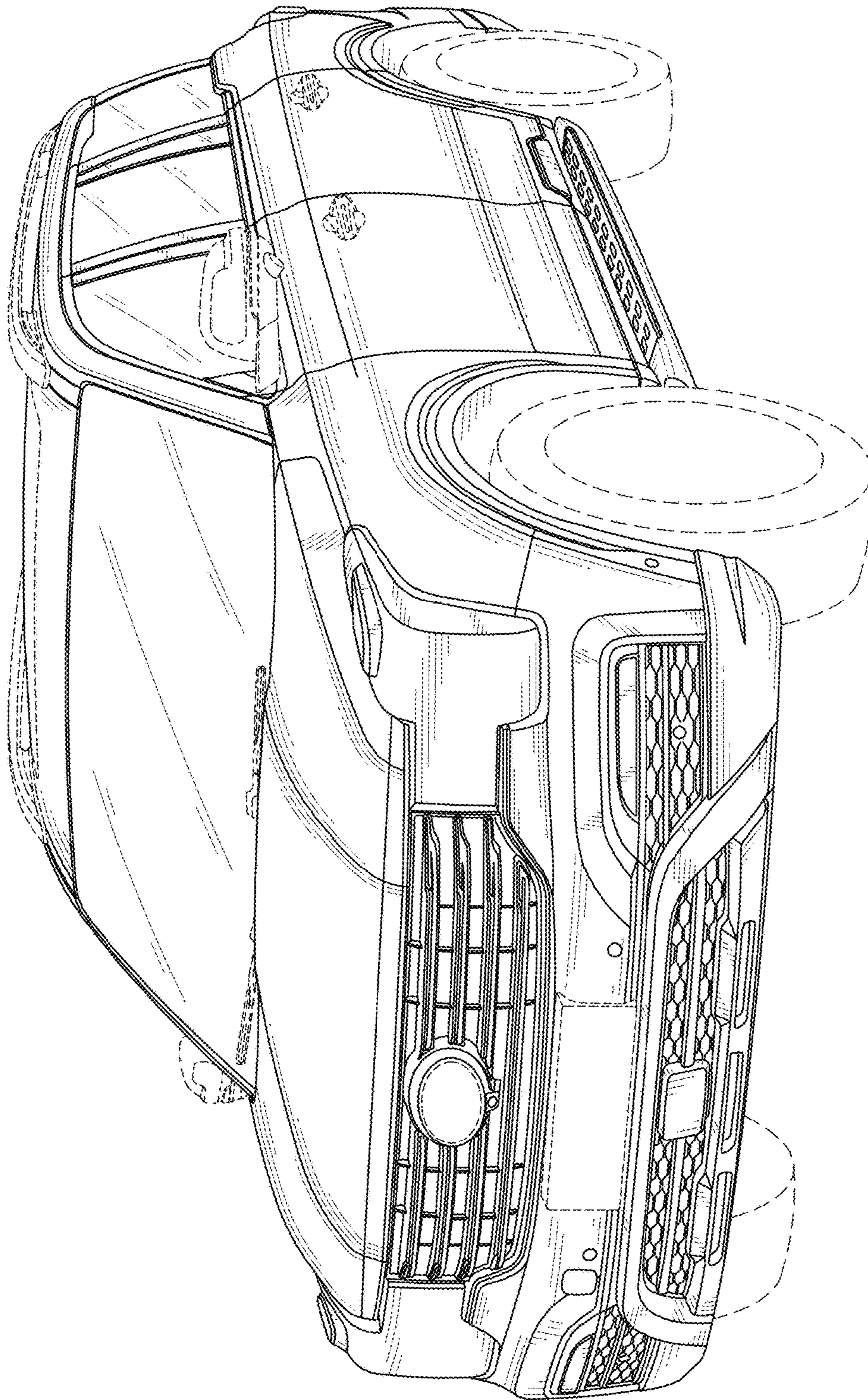


FIG. 1

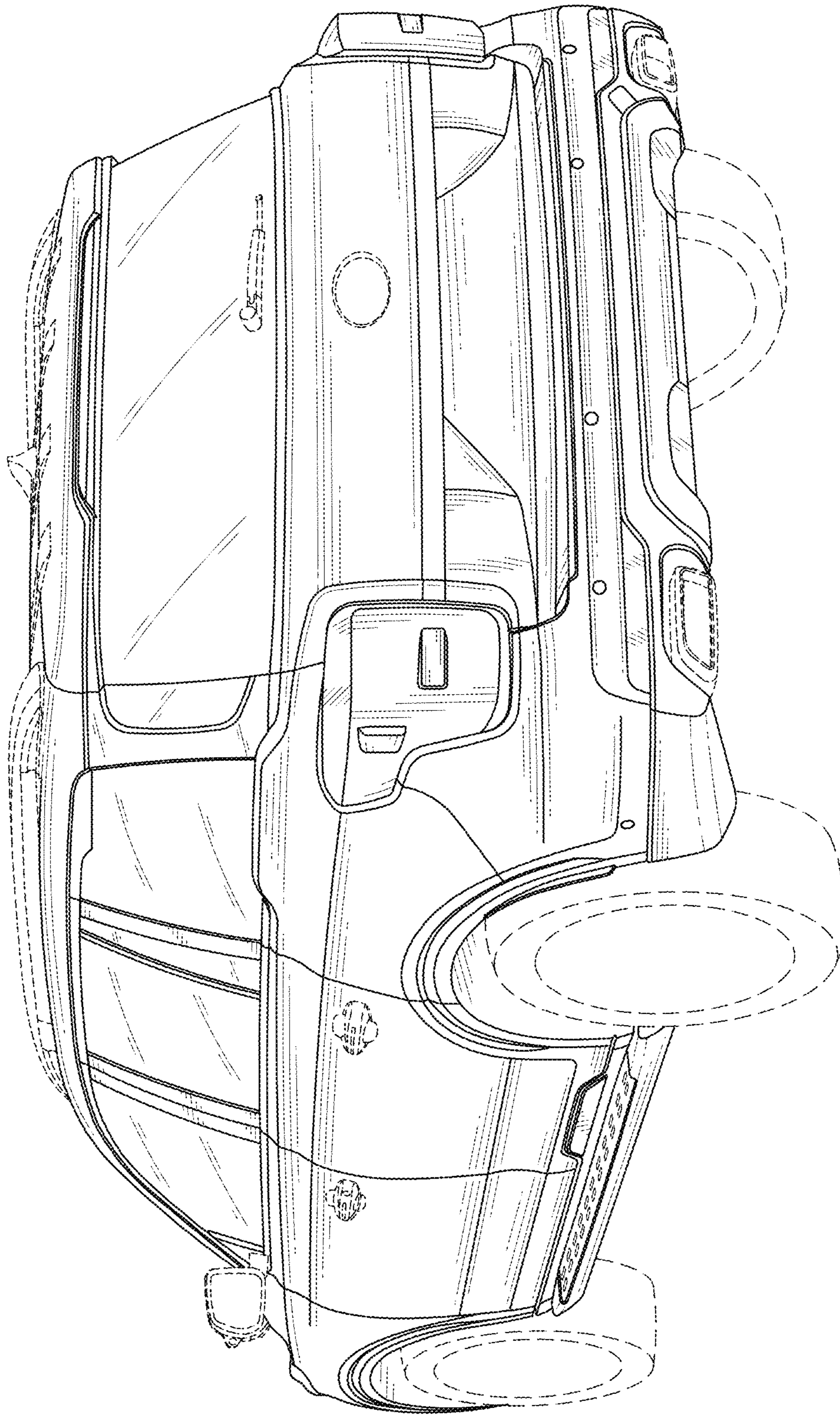


FIG. 2

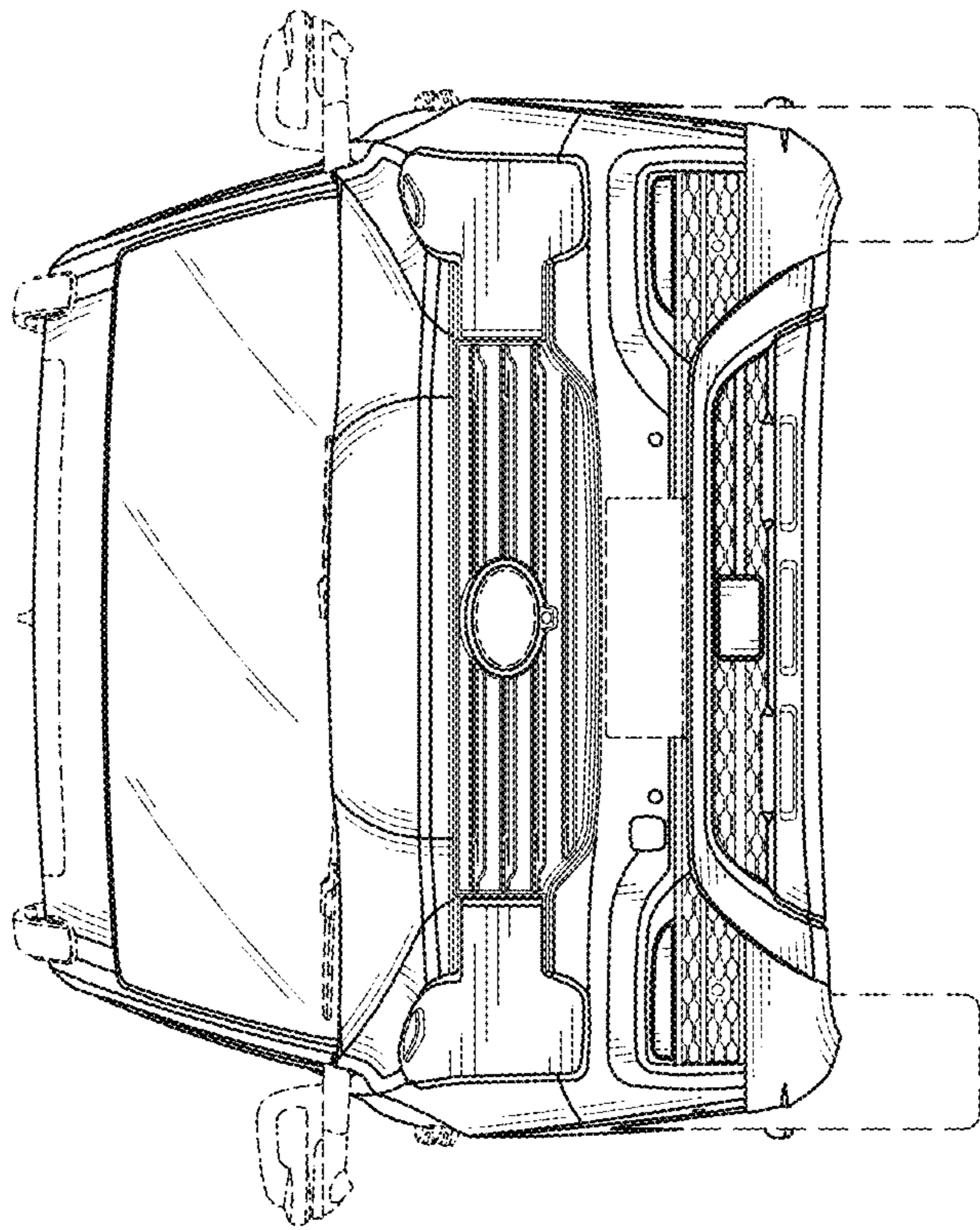


FIG. 3

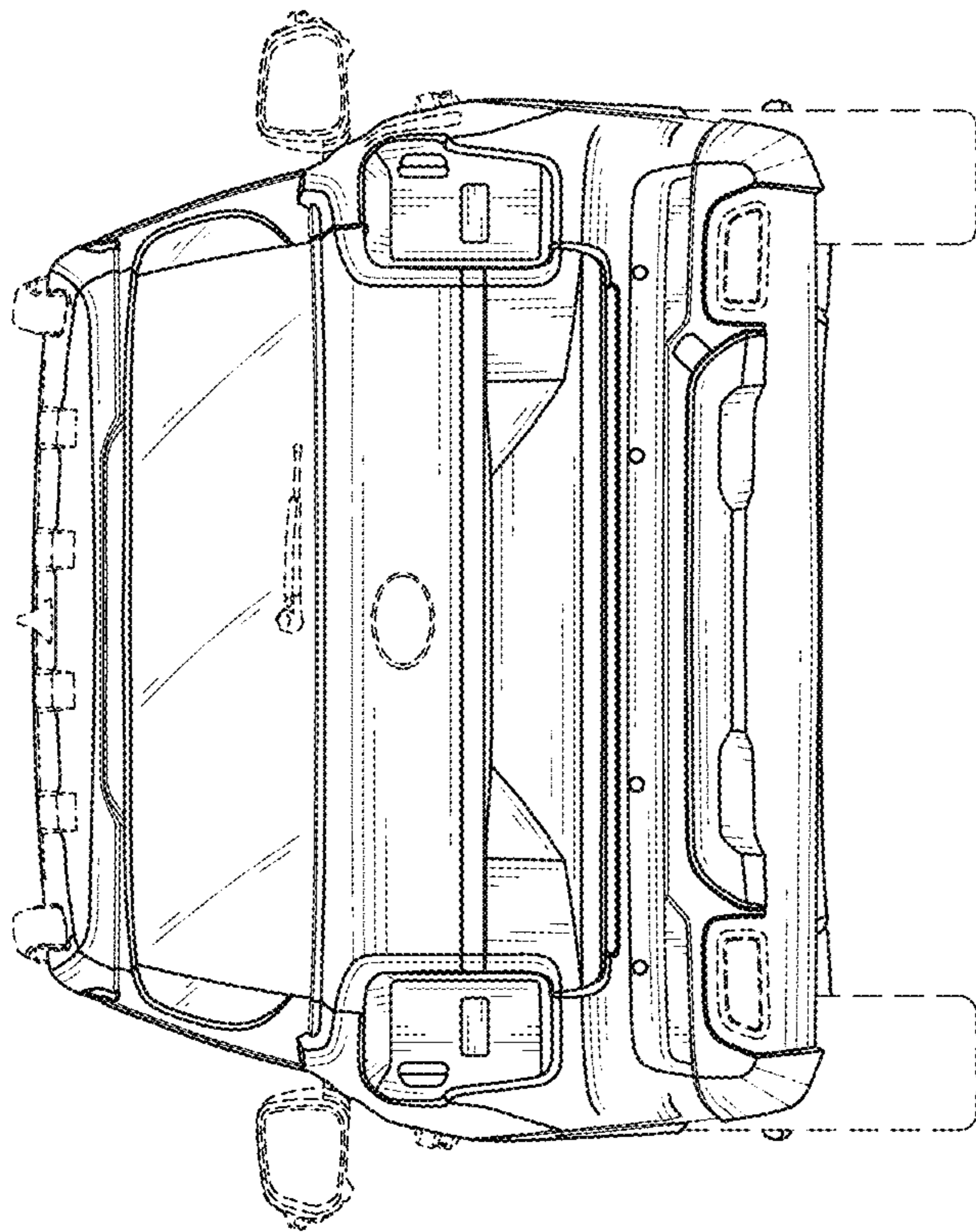


FIG. 4

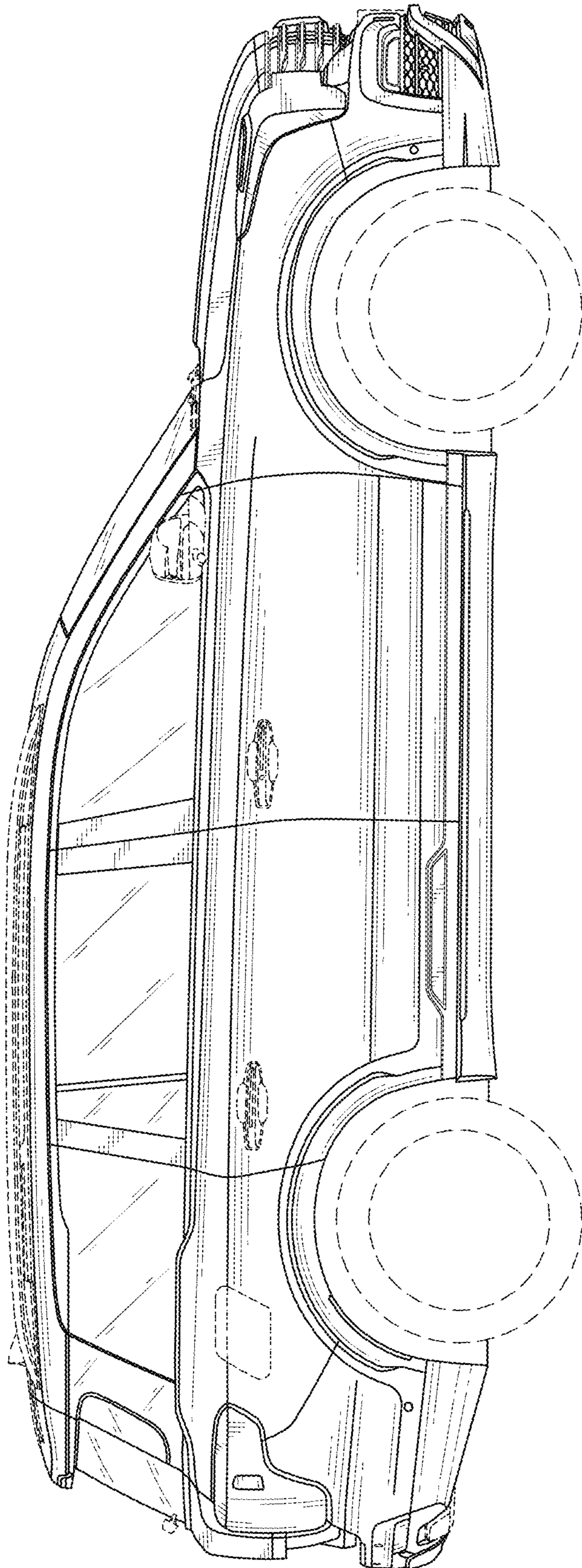


FIG. 5

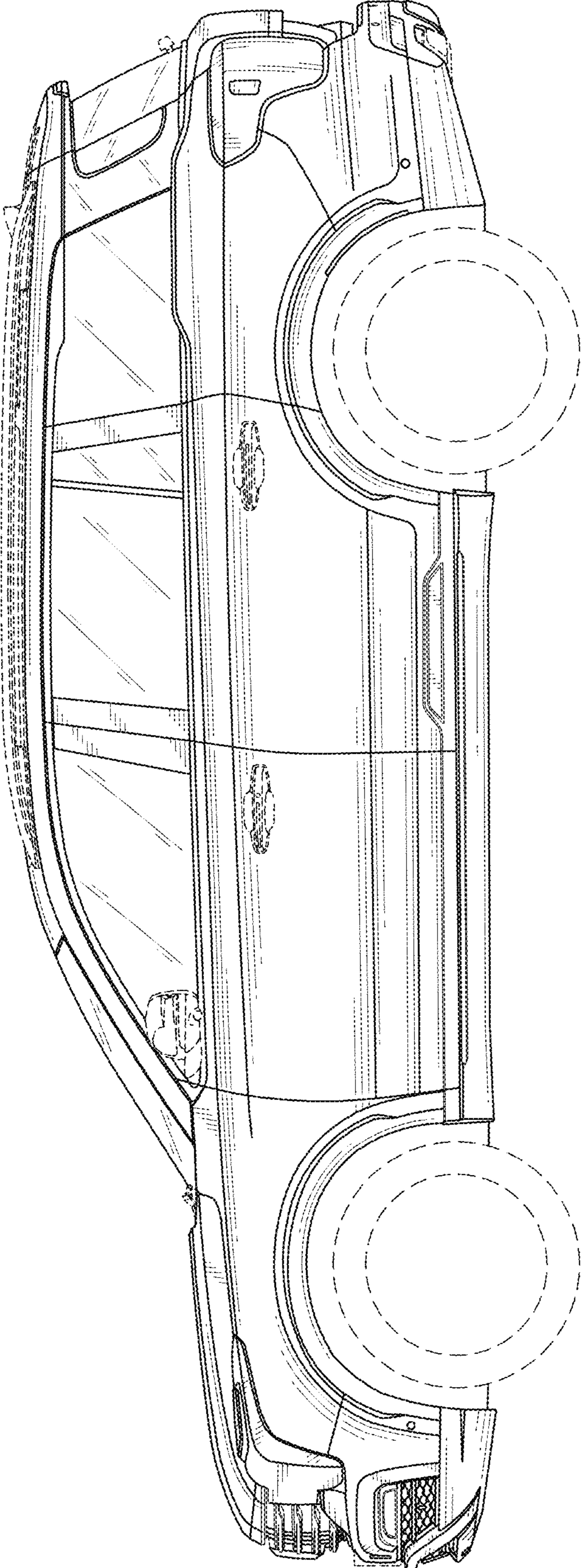


FIG. 6

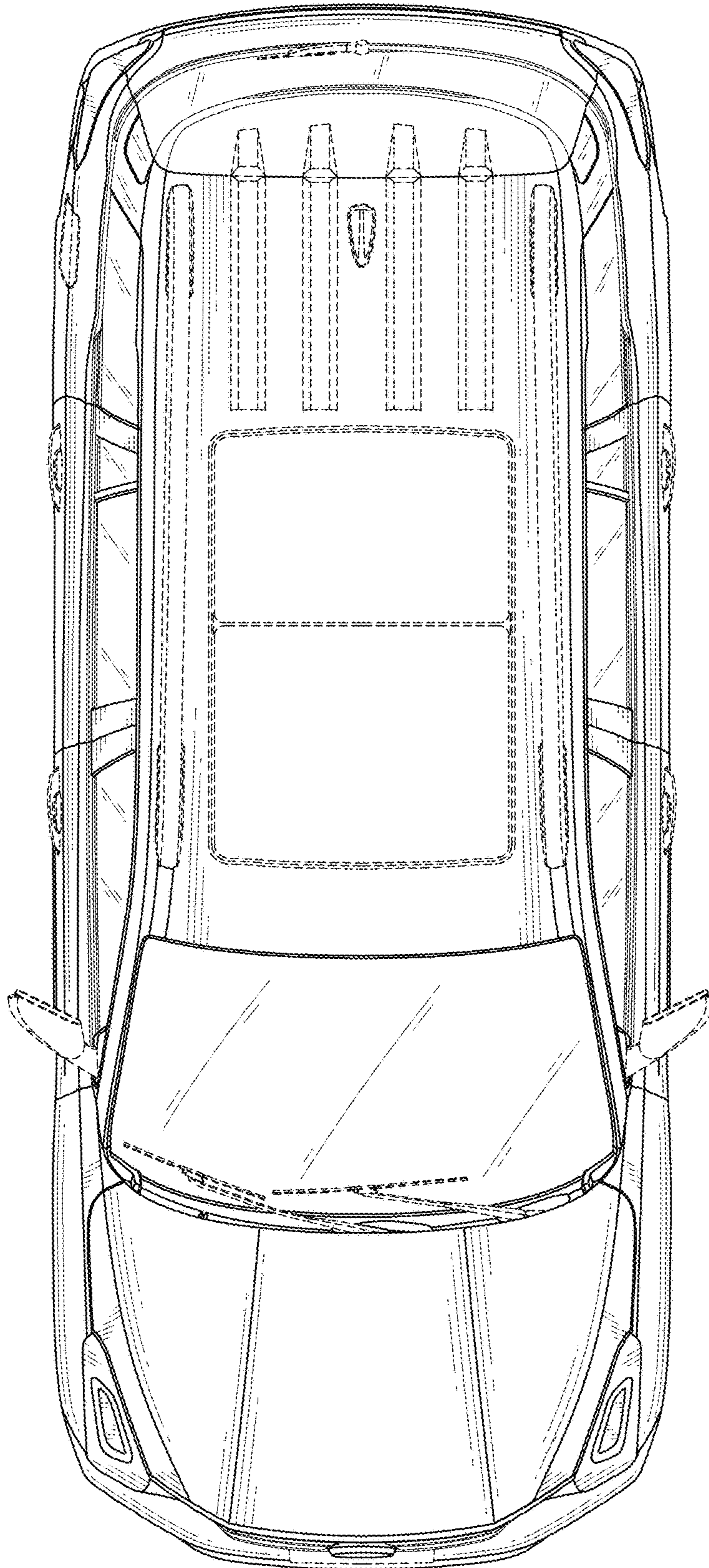


FIG. 7