



US00D802471S

(12) **United States Design Patent** (10) **Patent No.:** **US D802,471 S**  
**Moore** (45) **Date of Patent:** **\*\* Nov. 14, 2017**

(54) **UPSIDE DOWN HOLIDAY STOCKING**  
(71) Applicant: **James Lee Moore**, Arlington, MA (US)  
(72) Inventor: **James Lee Moore**, Arlington, MA (US)  
(\*\*) Term: **15 Years**  
(21) Appl. No.: **29/584,599**  
(22) Filed: **Nov. 16, 2016**  
(51) **LOC (10) Cl.** ..... **11-05**  
(52) **U.S. Cl.**  
USPC ..... **D11/126**  
(58) **Field of Classification Search**  
USPC ..... D11/117, 121, 126, 130, 131, 132  
CPC ..... A47G 33/00; A47G 33/08; B44C 5/00;  
B44C 5/04; B44C 7/00; A41B 11/00;  
A41B 11/001  
See application file for complete search history.

6,662,377 B2 \* 12/2003 Williams ..... A41B 11/005  
156/212  
D498,429 S \* 11/2004 Sotomura ..... D11/126  
D498,702 S \* 11/2004 Hale ..... D11/126  
D573,059 S \* 7/2008 LaSpada ..... D11/121  
D581,313 S \* 11/2008 Requate ..... D11/125  
D603,292 S \* 11/2009 D'Agosta ..... D11/126  
D616,931 S \* 6/2010 Staller ..... D19/4  
D636,544 S \* 4/2011 Spurgeon ..... D11/126  
D727,672 S \* 4/2015 Price ..... D11/126  
D739,765 S \* 9/2015 Bryant ..... D11/126

\* cited by examiner

*Primary Examiner* — Elizabeth J Oswecki  
(74) *Attorney, Agent, or Firm* — Dunlap Bennett & Ludwig PLLC

(57) **CLAIM**

The ornamental design for an upside-down holiday stocking, as shown and described.

**DESCRIPTION**

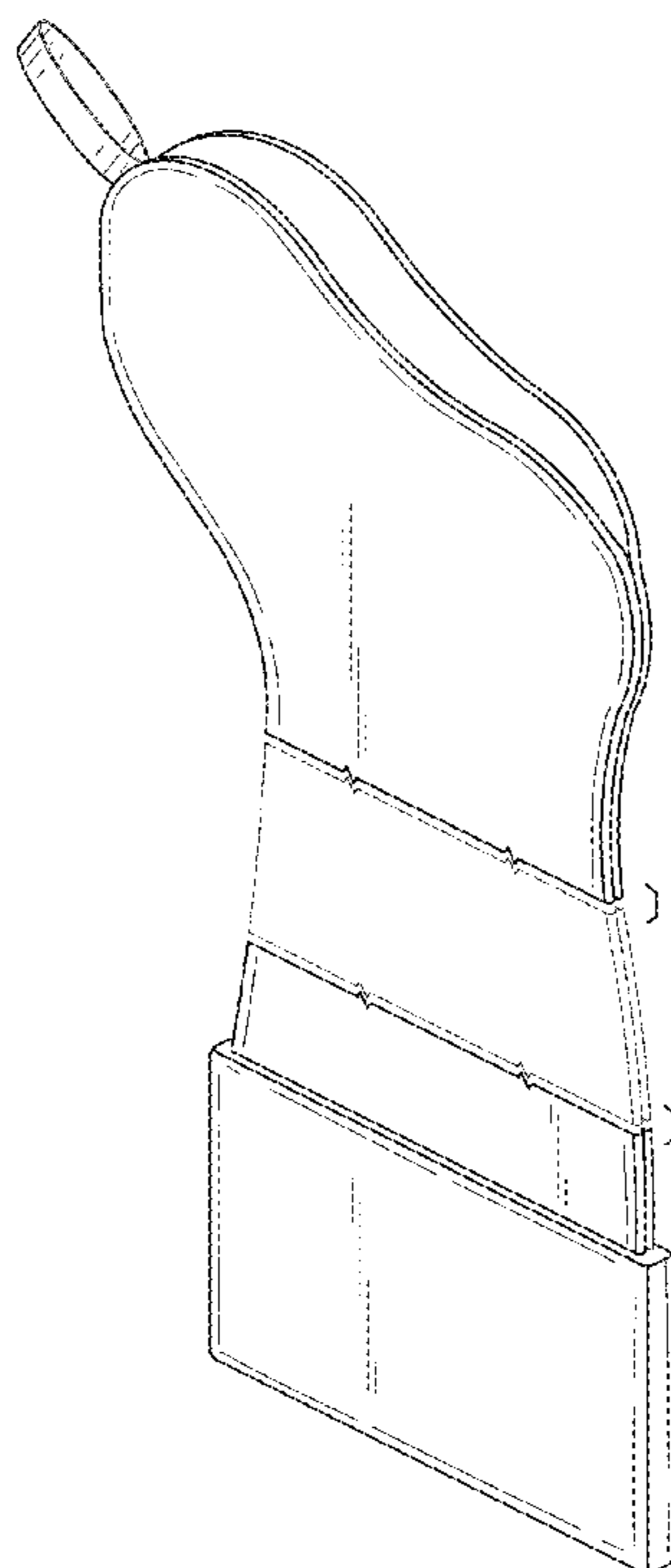
FIG. 1 is a front perspective view of an upside-down holiday stocking showing my new design;  
FIG. 2 is a front elevation view thereof;  
FIG. 3 is a rear elevation view thereof;  
FIG. 4 is a left side elevation view thereof;  
FIG. 5 is a right side elevation view thereof;  
FIG. 6 is a top plan view thereof; and,  
FIG. 7 is a bottom plan view thereof.  
The upside-down holiday stocking is shown broken away in FIGS. 1-7 to indicate that no particular length is claimed. The broken line portion of the upside-down holiday stocking forms no part of the claimed design.

(56) **References Cited**

U.S. PATENT DOCUMENTS

D122,183 S \* 8/1940 Kingson ..... D11/126  
D126,831 S \* 4/1941 Francis ..... D11/126  
D159,218 S \* 7/1950 Margolin ..... D11/126  
D194,002 S \* 11/1962 Pines ..... D11/126  
4,132,309 A \* 1/1979 Shaylor ..... B65D 85/18  
206/278  
D315,636 S \* 3/1991 Grande ..... D11/126  
D316,232 S \* 4/1991 D'Agosta ..... D11/126  
D381,927 S \* 8/1997 Riggall ..... D11/126  
5,832,539 A \* 11/1998 Williams ..... A41B 11/005  
12/142 G  
D411,135 S \* 6/1999 Jackson ..... D11/117  
D432,451 S \* 10/2000 Turgeon ..... D11/126

**1 Claim, 5 Drawing Sheets**



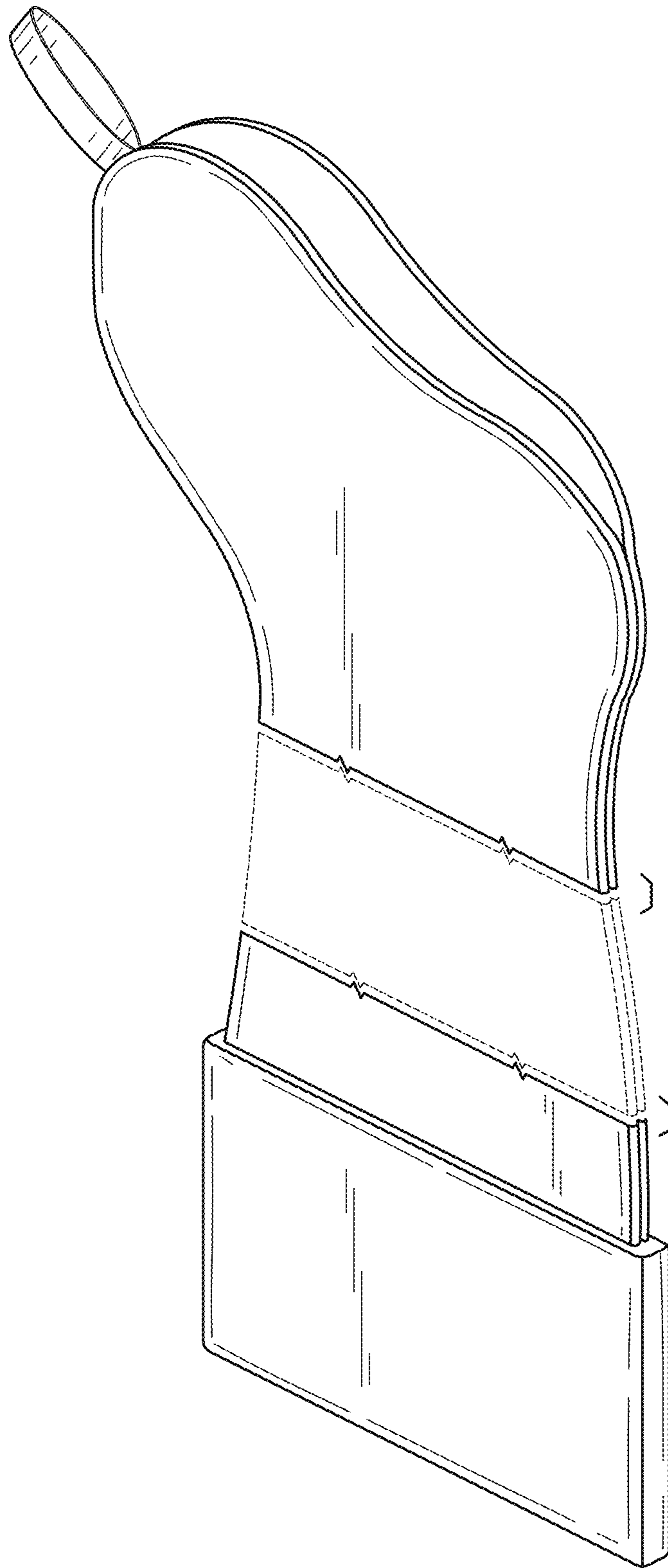


FIG. 1

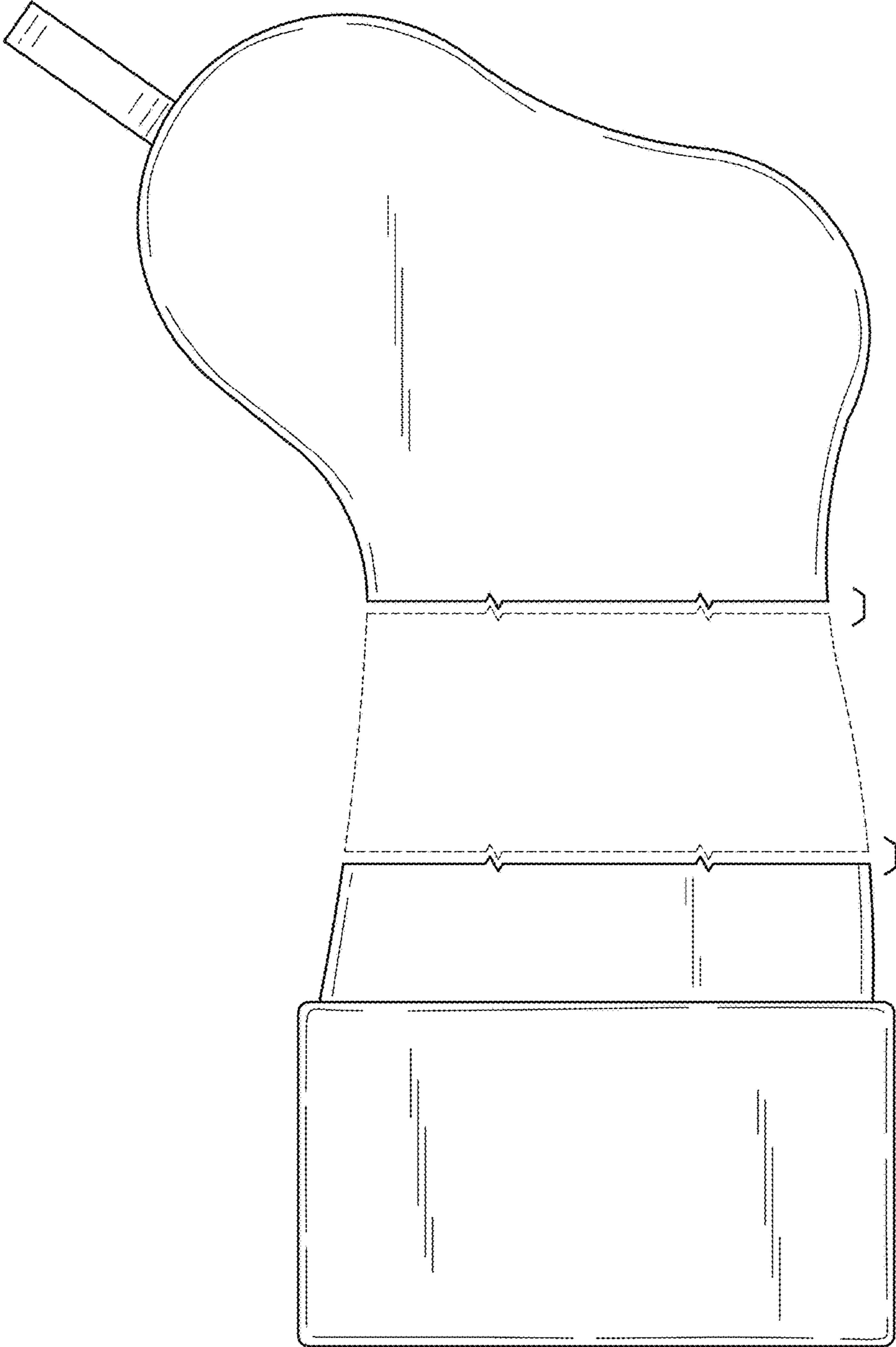


FIG. 2

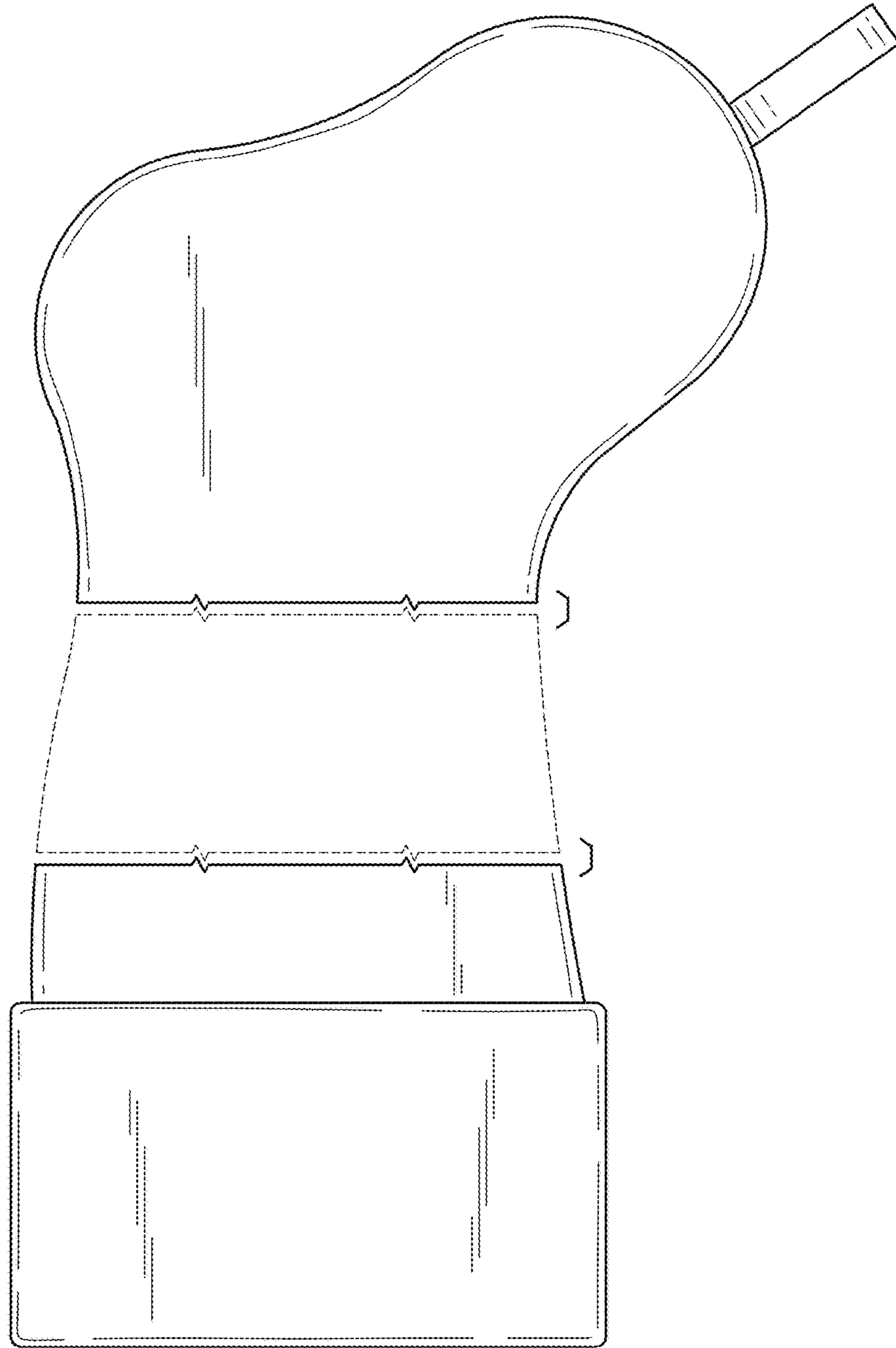


FIG. 3

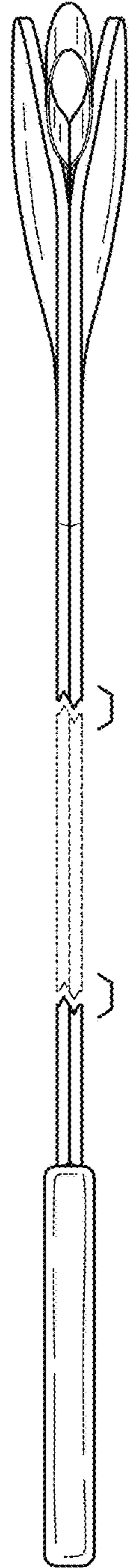


FIG. 4

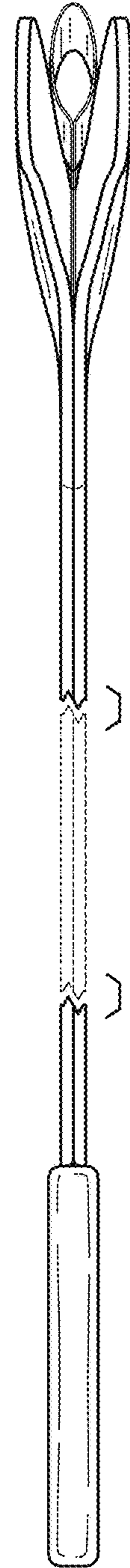


FIG. 5

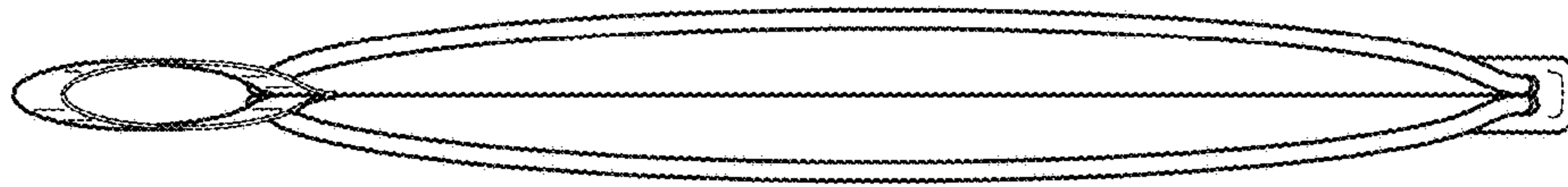


FIG. 6

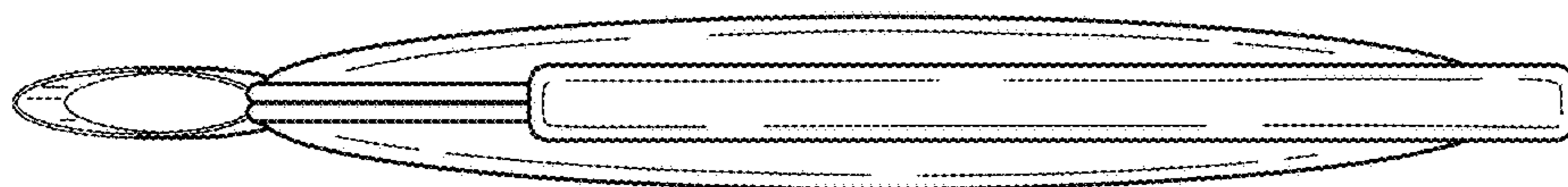


FIG. 7