



US00D802469S

(12) **United States Design Patent** (10) **Patent No.:** **US D802,469 S**
Letney (45) **Date of Patent:** **** Nov. 14, 2017**

(54) **UNITY CROSS ASSEMBLY**
(71) Applicant: **Michael James Letney**, Tulsa, OK
(US)
(72) Inventor: **Michael James Letney**, Tulsa, OK
(US)

D164,852 S 10/1951 Gibson
2,712,191 A 7/1955 Hillenbrand
D196,923 S 11/1963 Josephson
D216,371 S * 12/1969 Winchell D11/81
3,992,812 A 11/1976 Horowitz
(Continued)

(**) Term: **15 Years**

FOREIGN PATENT DOCUMENTS
WO 2010038057 4/2010

(21) Appl. No.: **29/572,752**

OTHER PUBLICATIONS

(22) Filed: **Jul. 29, 2016**

Living, Loving, Laughing (Live Well, Laugh Often, and Alove With All of Your Heart!); A Wedding Post—The Sand Ceremony; Feb. 2, 2010; <http://youthinkyoucanblog.com/2011/02/10/a-wedding-post-the-sand-ceremony/> Country where published: United States.

(51) **LOC (10) Cl.** **11-03**

(52) **U.S. Cl.**
USPC **D11/96**

(58) **Field of Classification Search**
USPC D11/1, 2, 3, 7, 8, 40, 43, 44, 79, 81, 96,
D11/99, 121, 175; 63/13, 14.1, 3;
D99/23, 25–27, 5; 428/3
CPC A44C 1/00; A44C 11/002; A44C 23/00;
A44C 25/001; A44C 25/005; A44C
25/007; A44C 25/008; A44C 3/001; A44C
3/005; A44C 5/0061; A44C 7/005; A47G
33/02
See application file for complete search history.

(Continued)
Primary Examiner — Ian Simmons
Assistant Examiner — Mark Cavanna
(74) *Attorney, Agent, or Firm* — Head, Johnson,
Kachigian & Wilkinson, PC

(57) **CLAIM**

The ornamental design for a unity cross assembly, as shown and described.

(56) **References Cited**

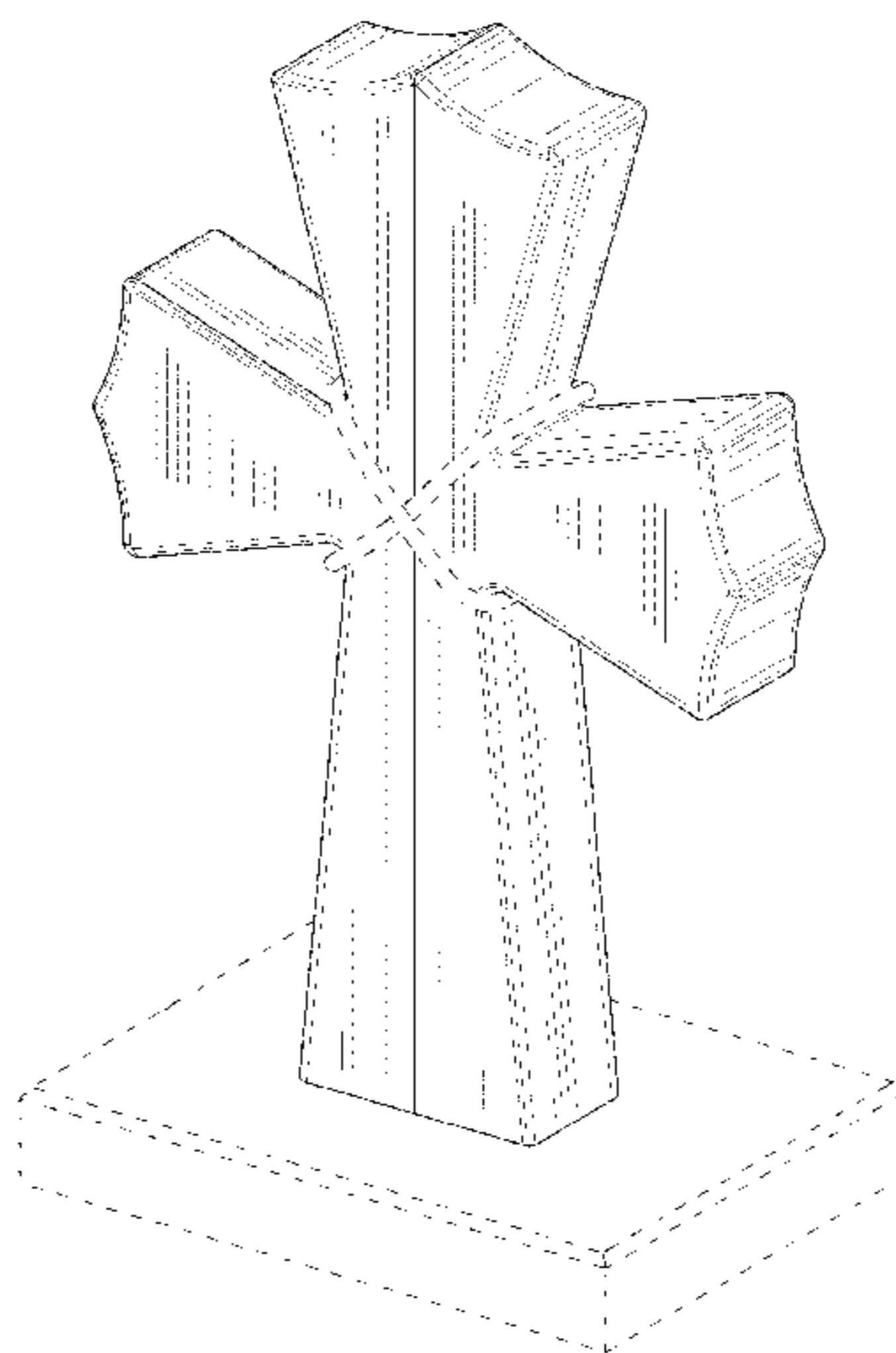
DESCRIPTION

U.S. PATENT DOCUMENTS

274,638 A 3/1883 Mould
D50,803 S * 5/1917 Baker D11/110
1,258,147 A 3/1918 Sargent
1,473,530 A 11/1923 Walrow
D67,289 S 5/1925 Ladewich
D97,686 S 12/1935 Schwennesen
2,030,356 A 2/1936 Dibb
2,080,317 A 5/1937 Jaeckel
D115,794 S * 7/1939 Reiff D11/81
D116,859 S * 9/1939 McDonald D11/96
D119,993 S * 4/1940 Brandt D11/81
D133,983 S 10/1942 Cruise et al.
2,355,154 A 8/1944 Goudreau
2,533,778 A 12/1950 Eckhardt

FIG. 1 is a front perspective view of a unity cross assembly showing our new design;
FIG. 2 is a front view thereof;
FIG. 3 is a back view thereof;
FIG. 4 is a right view thereof;
FIG. 5 is a left view thereof;
FIG. 6 is a top view thereof; and,
FIG. 7 is a bottom view thereof.
The broken lines are included for the purpose of illustrating portions of the unity cross assembly that form no part of the claimed design.

1 Claim, 6 Drawing Sheets



(56)

References Cited

U.S. PATENT DOCUMENTS

D248,459 S * 7/1978 Newman D11/96
 D255,279 S * 6/1980 Graves D11/96
 D256,398 S 8/1980 Mitchell
 4,525,821 A 6/1985 Garcia
 D283,408 S * 4/1986 Martin D11/81
 D299,579 S * 1/1989 Jones D11/96
 D328,380 S * 7/1992 Skomski D99/26
 5,255,170 A * 10/1993 Plamp A47G 33/02
 362/121
 5,390,510 A 2/1995 Tirio-Cloonan
 D365,781 S 1/1996 Osborn
 5,588,253 A 12/1996 Boodley et al.
 5,628,413 A 5/1997 Lu et al.
 5,693,380 A 12/1997 O'Connell
 D395,126 S * 6/1998 VonZwehl D99/26
 D396,929 S * 8/1998 Vinson D11/96
 D416,513 S * 11/1999 Tavone D11/96
 D454,999 S * 3/2002 Villafana D99/26
 D475,169 S * 5/2003 Glotfelty D99/27
 D505,529 S 5/2005 Mitchell
 D507,689 S * 7/2005 Schmitt D99/26
 D527,510 S 8/2006 Thomas
 D563,828 S 3/2008 Meijer
 D578,275 S 10/2008 Shantz et al.
 D589,225 S 3/2009 Wilburn
 D590,574 S 4/2009 Pawlik
 D596,067 S * 7/2009 Gersh D11/89
 D600,156 S * 9/2009 Gersh D11/89
 D611,221 S * 3/2010 Parks D99/5

D615,449 S * 5/2010 Hayden D11/96
 D619,926 S 7/2010 Letney
 D638,605 S 5/2011 Schmitcke et al.
 D638,741 S * 5/2011 Barbalace D11/96
 7,980,095 B1 * 7/2011 Masterson A44C 5/2095
 63/3.1
 8,038,309 B2 10/2011 Yang
 D661,864 S 6/2012 Swayzer
 D663,095 S 7/2012 Naimi
 8,226,877 B2 7/2012 Fischer
 D666,120 S * 8/2012 Austin D11/96
 8,418,344 B1 4/2013 Letney
 D686,385 S 7/2013 Letney
 D715,683 S 10/2014 Letney
 D715,684 S 10/2014 Letney
 9,186,013 B1 11/2015 Letney
 D745,793 S * 12/2015 Kroll D99/23
 9,301,633 B2 4/2016 Letney
 D784,737 S * 4/2017 Kroll D99/27
 2010/0012661 A1 1/2010 Chou
 2010/0087120 A1 4/2010 Norman
 2011/0121971 A1 * 5/2011 Ross A47G 33/02
 340/541

OTHER PUBLICATIONS

Shopinspiration.com, "1-The Unity Cross"; Jun. 6, 2007; <http://web.archive.org/web/20110607151852/http://shopinspiration.com/1-The-Unity-Cross-792119900301.htm> Country where published: United States.

* cited by examiner

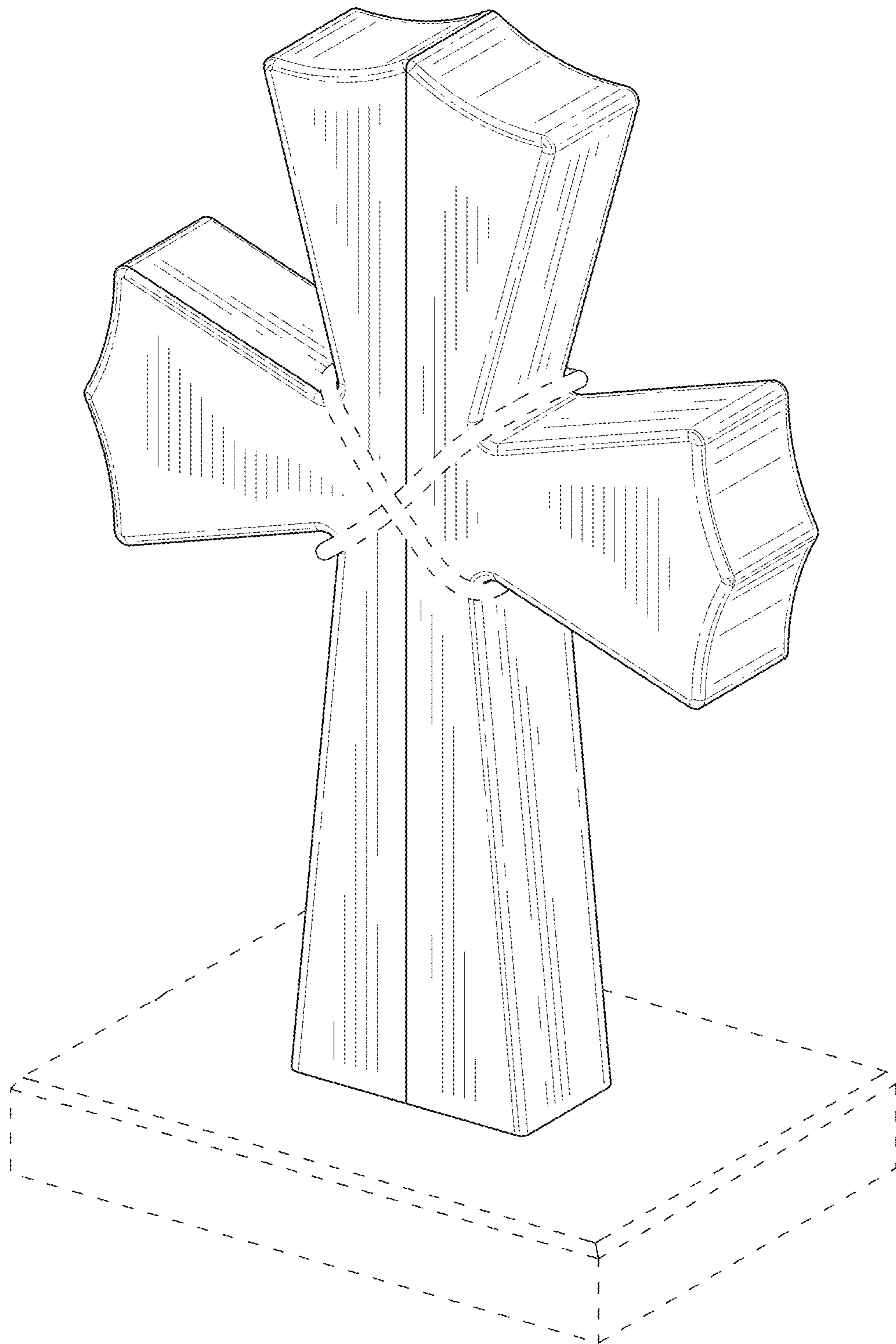


FIG. 1

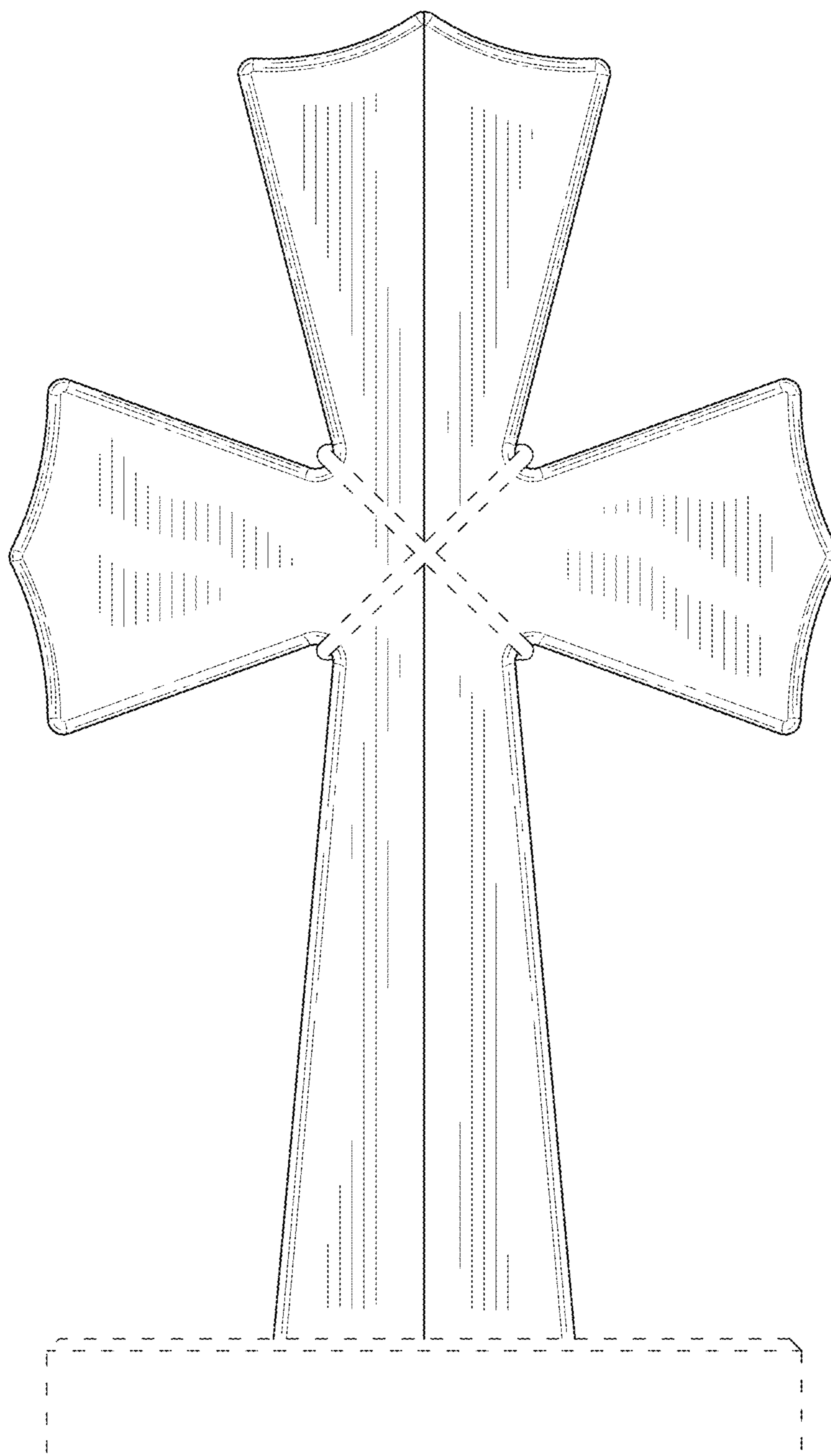


FIG. 2

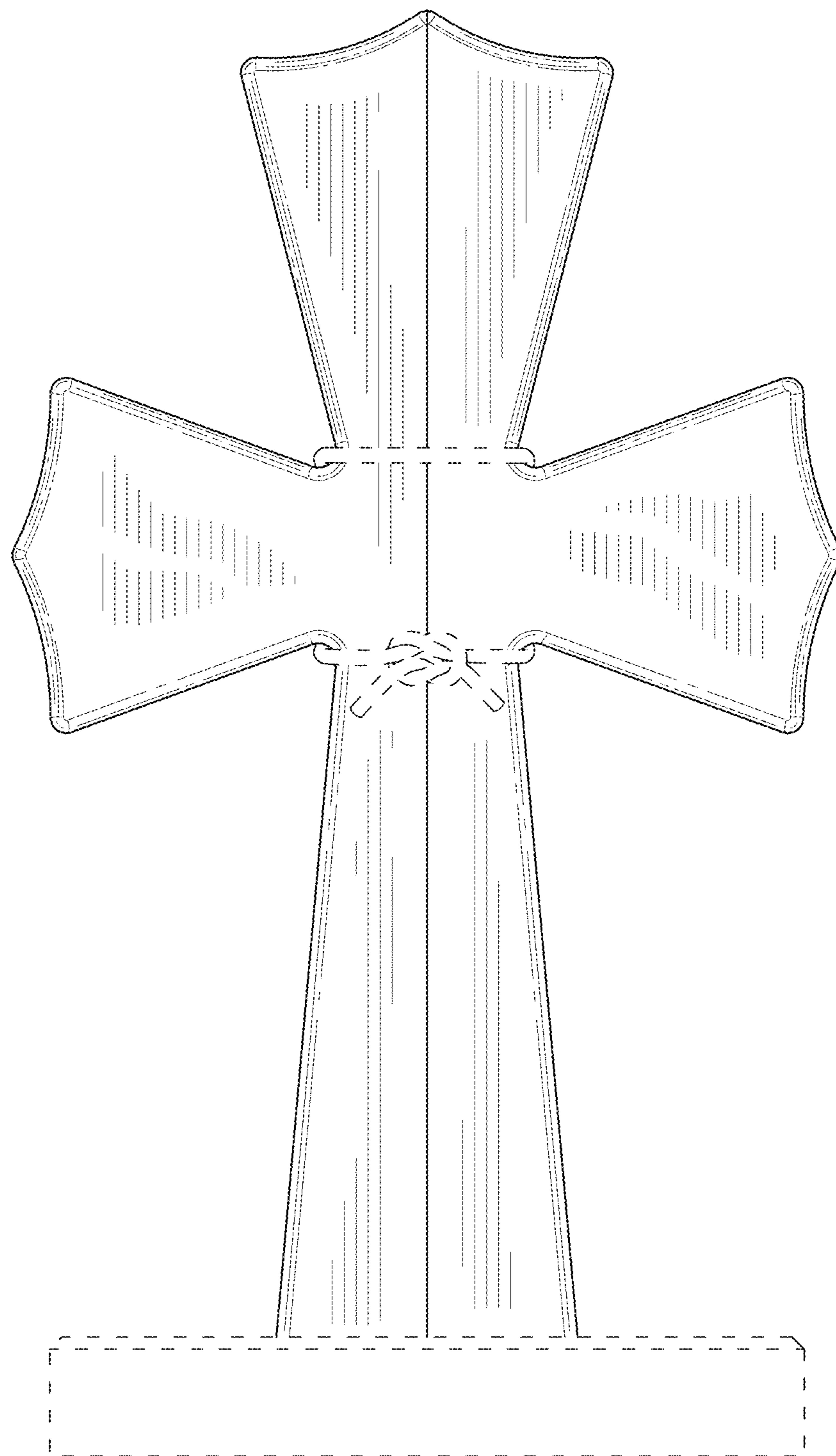


FIG. 3

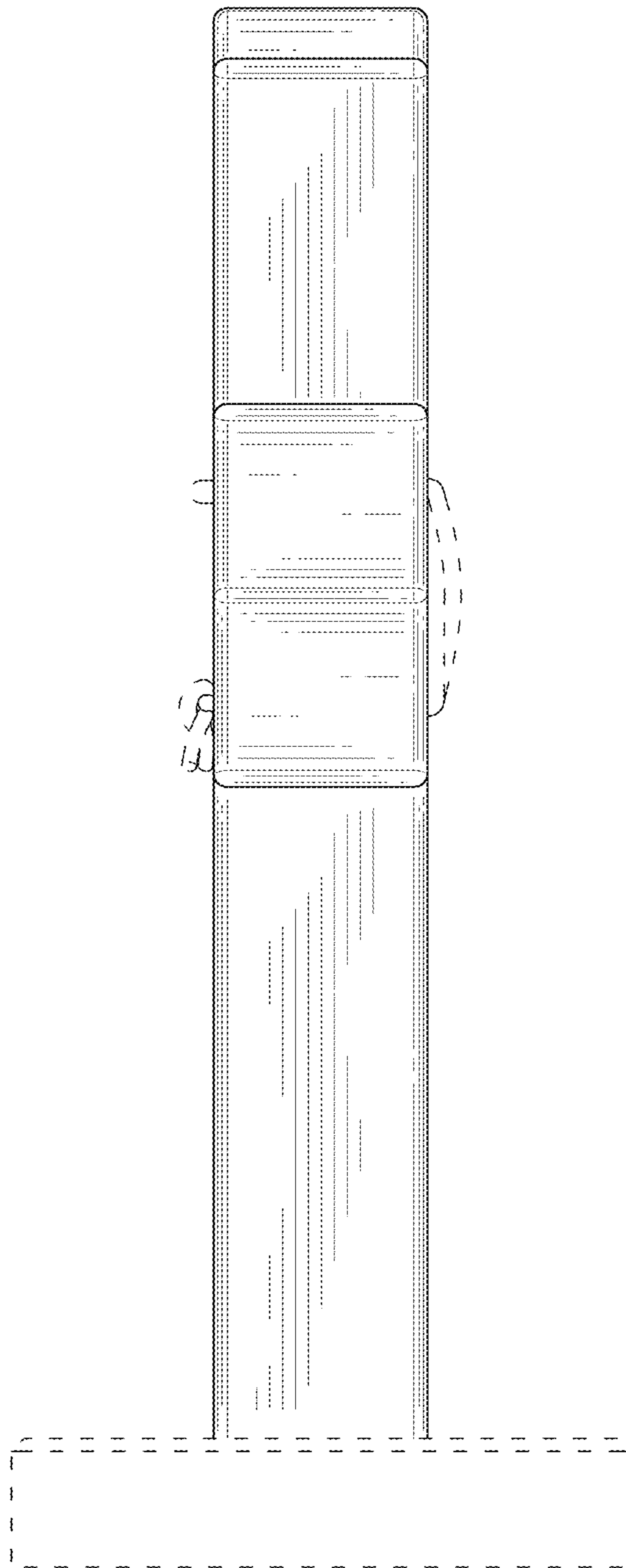


FIG. 4

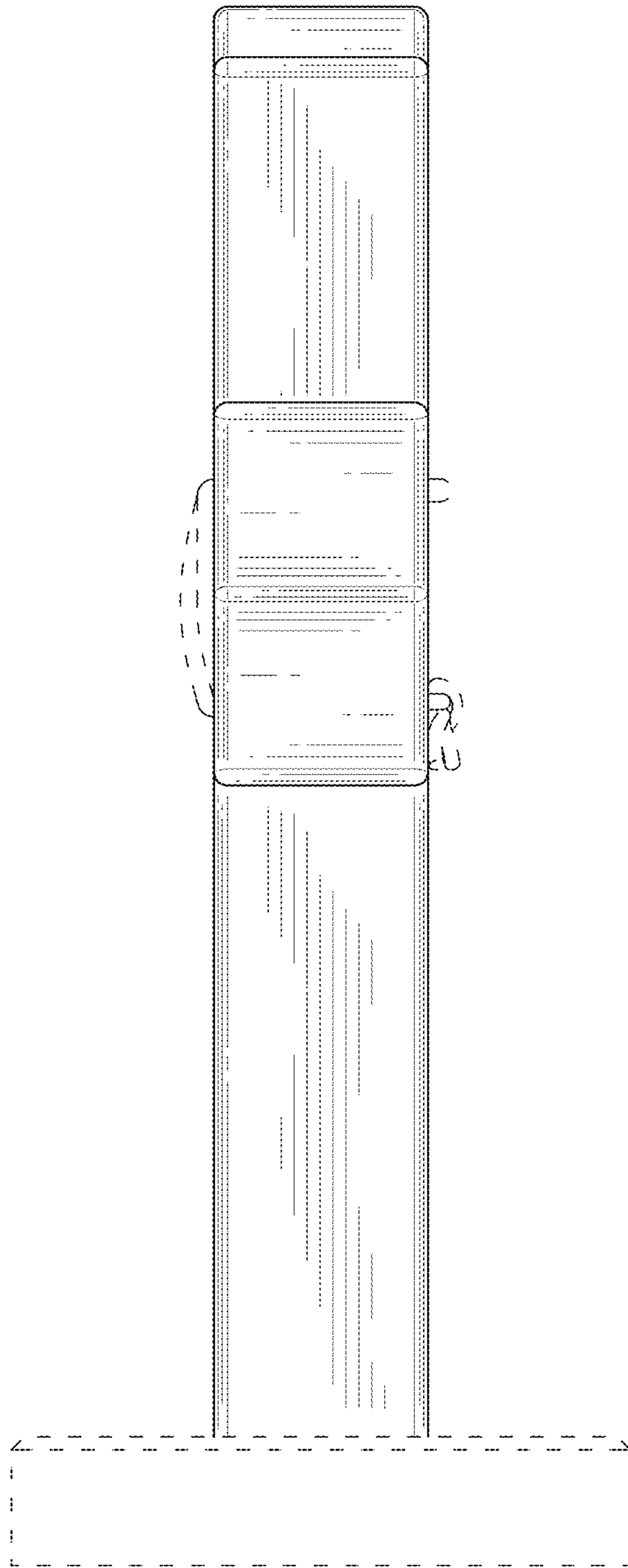


FIG. 5

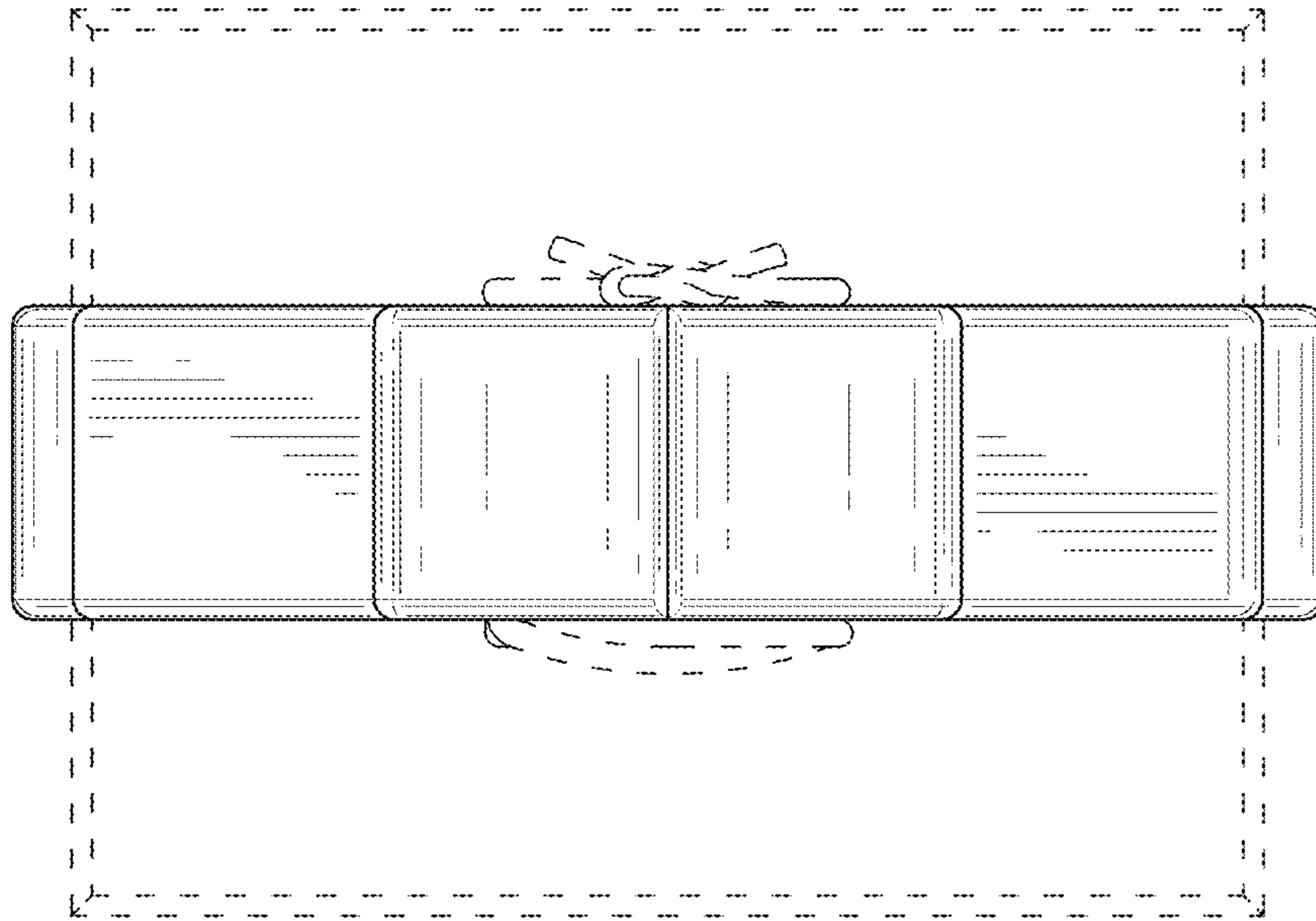


FIG. 6

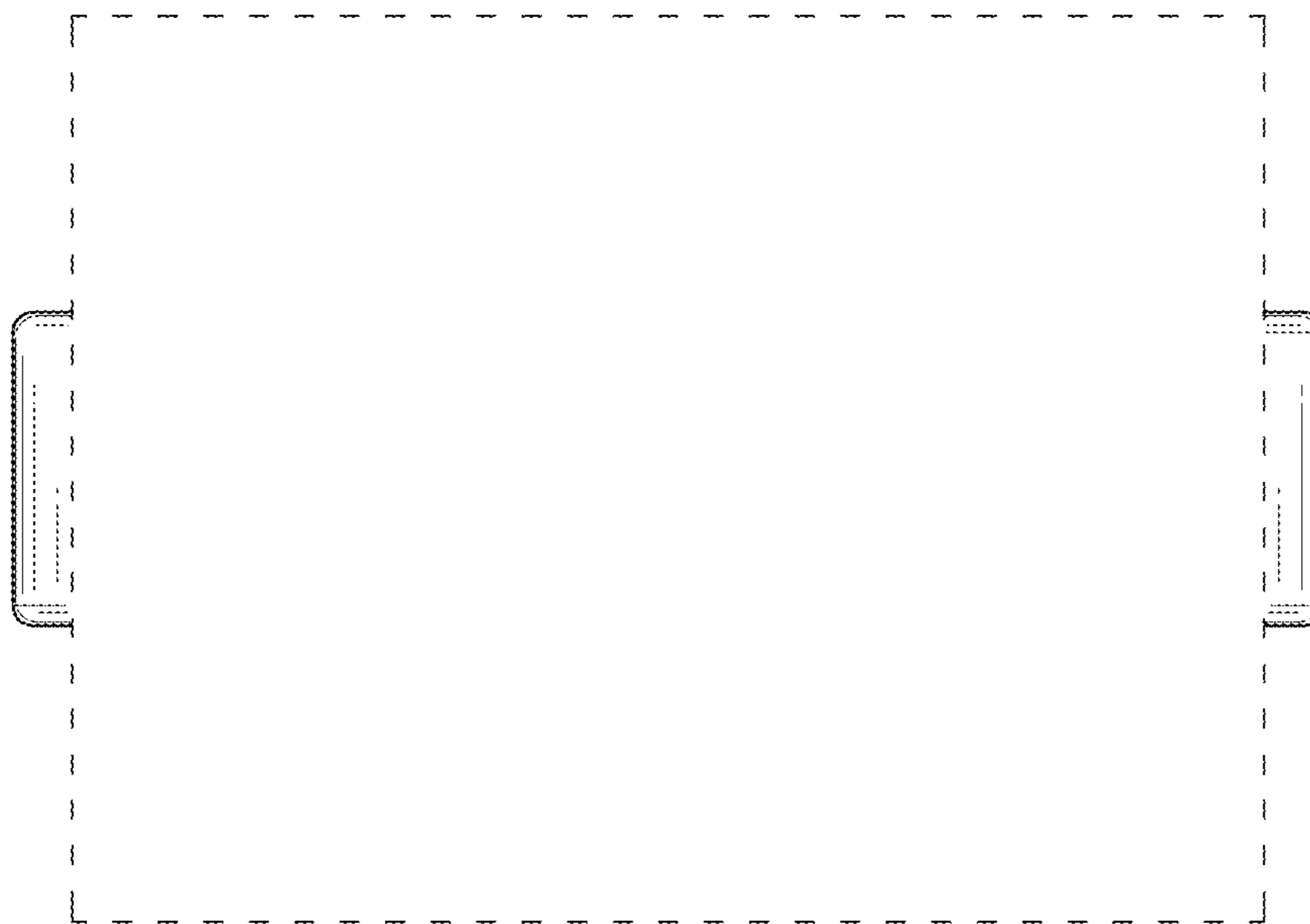


FIG. 7