



US00D802468S

(12) **United States Design Patent** (10) **Patent No.:** **US D802,468 S**
Barden (45) **Date of Patent:** **** Nov. 14, 2017**

(54) **BROOCH**

(71) Applicant: **Hollie Bonneville Barden**, London (GB)
(72) Inventor: **Hollie Bonneville Barden**, London (GB)
(73) Assignee: **DE BEERS DIAMOND JEWELERS LTD.**, London (GB)

(**) Term: **15 Years**

(21) Appl. No.: **29/602,171**

(22) Filed: **Apr. 28, 2017**

Related U.S. Application Data

(62) Division of application No. 29/560,721, filed on Apr. 8, 2016, now Pat. No. Des. 792,263, which is a division of application No. 29/503,098, filed on Sep. 23, 2014, now Pat. No. Des. 771,515.

(30) **Foreign Application Priority Data**

Apr. 3, 2014 (EM) 001410955-0001
Apr. 3, 2014 (EM) 002439638-0001
Apr. 3, 2014 (EM) 002439638-0002
Apr. 3, 2014 (EM) 002439638-0003
Apr. 3, 2014 (EM) 002439638-0004

(51) **LOC (10) Cl.** **11-01**

(52) **U.S. Cl.**
USPC **D11/40**

(58) **Field of Classification Search**
USPC ... D11/1, 2, 7, 8, 26, 34, 40-48, 74, 75, 77, D11/78, 79-86, 91, 92, 63, 67
CPC .. A44C 1/00; A44C 3/00; A44C 3/001; A44C 3/002; A44C 3/004; A44C 5/00; A44C 5/0007; A44C 9/00; A44C 15/005; A44C 15/0055; A44C 25/00; A44C 25/001; A44C 25/002; A44C 25/004; A44C 25/005; A44C 25/007

See application file for complete search history.

(56) **References Cited**

U.S. PATENT DOCUMENTS

2,119,039 A 5/1938 Herbert
D112,038 S * 11/1938 Cooper D11/40
D132,523 S * 5/1942 Gerstenzang D11/67
D138,870 S * 9/1944 Drell D11/222
D138,882 S * 9/1944 Drell D11/227
D140,951 S * 4/1945 Katz D11/67
D142,087 S * 8/1945 Johnson D11/40

(Continued)

OTHER PUBLICATIONS

[Online] http://www.debeers.com/media/catalog/product/j/5/j5bu10b02w_01_2.jpg. Retrieved Sep. 12, 2017.*

(Continued)

Primary Examiner — Melanie Pellegrini
(74) *Attorney, Agent, or Firm* — Porzio Bromberg & Newman P.C.

(57) **CLAIM**

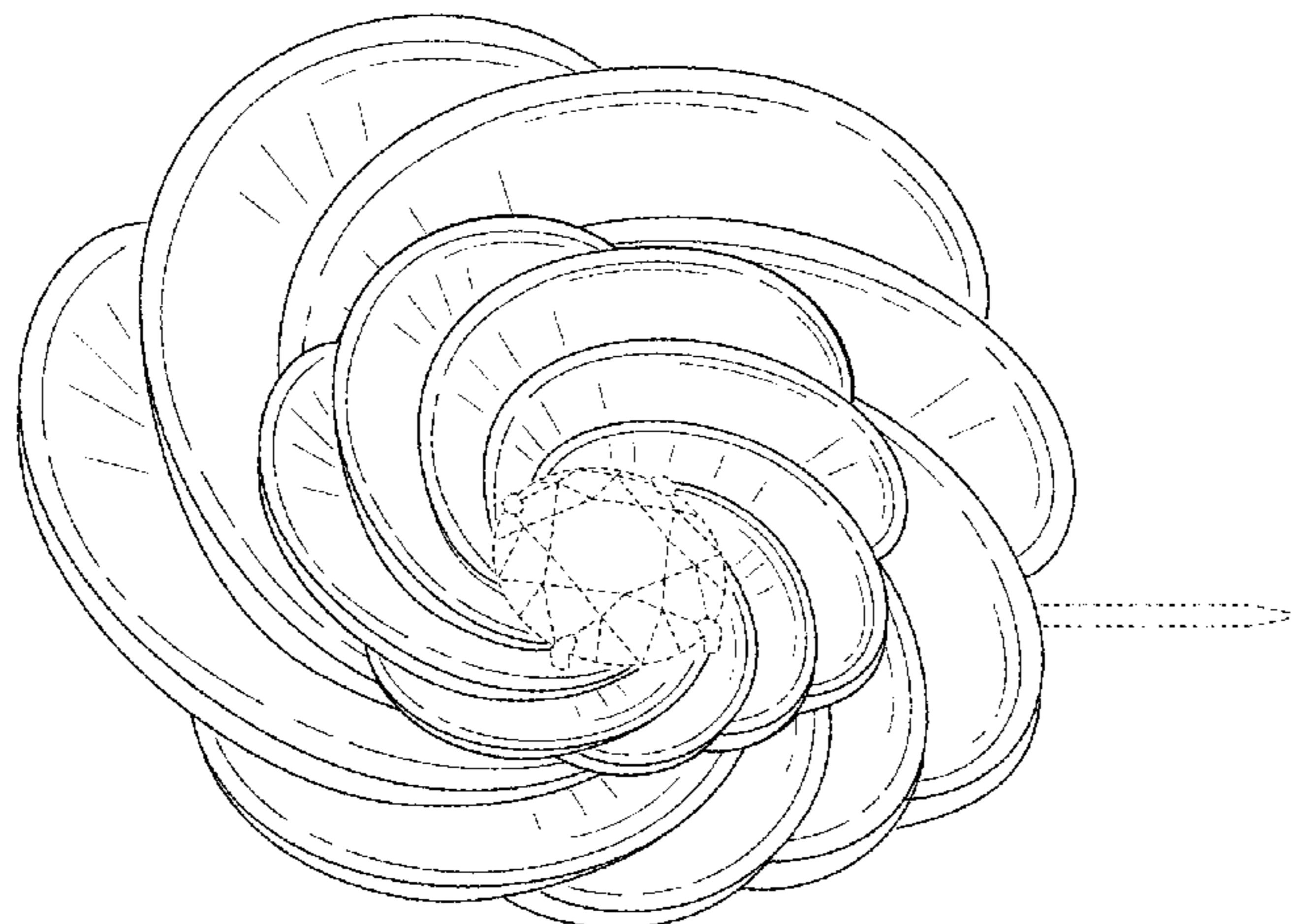
I claim, the ornamental design for a brooch, as shown and described.

DESCRIPTION

FIG. 1 is a perspective view of a brooch showing my new design;
FIG. 2 is a front view thereof;
FIG. 3 is a rear view thereof;
FIG. 4 is a right side view thereof;
FIG. 5 is a left side view thereof;
FIG. 6 is a top view thereof; and,
FIG. 7 is a bottom view thereof.

The broken lines shown in the drawings illustrate portions of the brooch that form no part of the claimed design.

1 Claim, 5 Drawing Sheets



(56)

References Cited

U.S. PATENT DOCUMENTS

D144,253 S * 3/1946 Mersereau D11/57
D151,362 S 10/1948 Katz
D151,363 S 10/1948 Katz
D164,811 S * 10/1951 Philippe D11/67
D248,741 S 8/1978 Barr
D351,119 S * 10/1994 McMullin D11/1
D387,300 S * 12/1997 Morrison D11/40
D534,454 S 1/2007 Karachi-Langane
D546,728 S 7/2007 Hardy
D557,170 S 12/2007 Hardy
D652,339 S 1/2012 Zander
D662,850 S 7/2012 Daniel
D665,296 S 8/2012 Fillon
D666,117 S 8/2012 Le Bail
D691,911 S 10/2013 Hardy
D709,788 S 7/2014 Samanta
D713,754 S 9/2014 Pasquetti
D734,197 S 10/2015 Argyraki
D792,263 S * 7/2017 Barden D11/26
2013/0263627 A1 10/2013 Bissierier

OTHER PUBLICATIONS

[Online] <https://i.pinimg.com/736x/54/6e/32/546e32366d4884642970a183fee0f0a5.jpg>. Retrieved Sep. 12, 2017.*

[Online] http://www.debeers.com/media/catalog/product/cache/1/image/700x/9df78eab33525d08d6e5fb8d27136e95/1/j1bu40b30w_O_1_2.jpg. Retrieved Apr. 18, 2017.

* cited by examiner

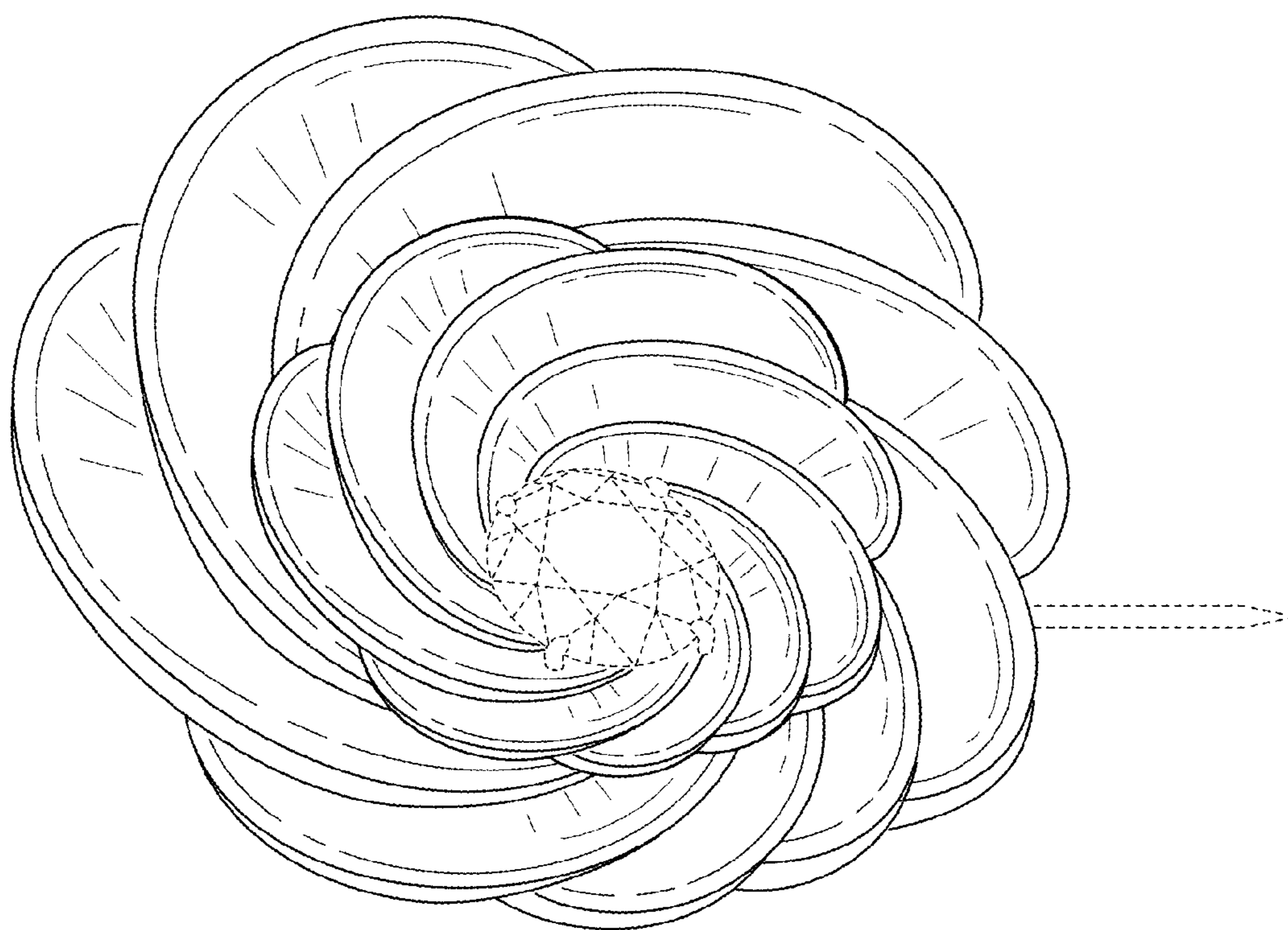


FIG. 1

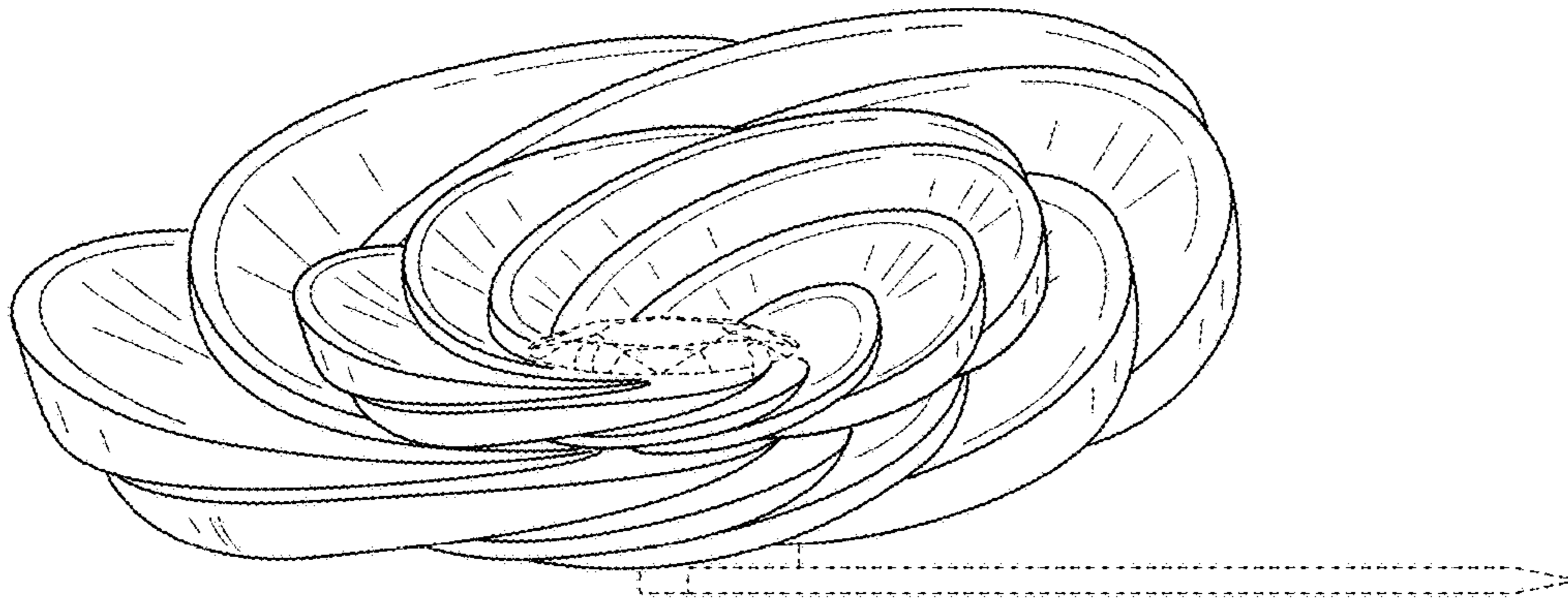


FIG. 2

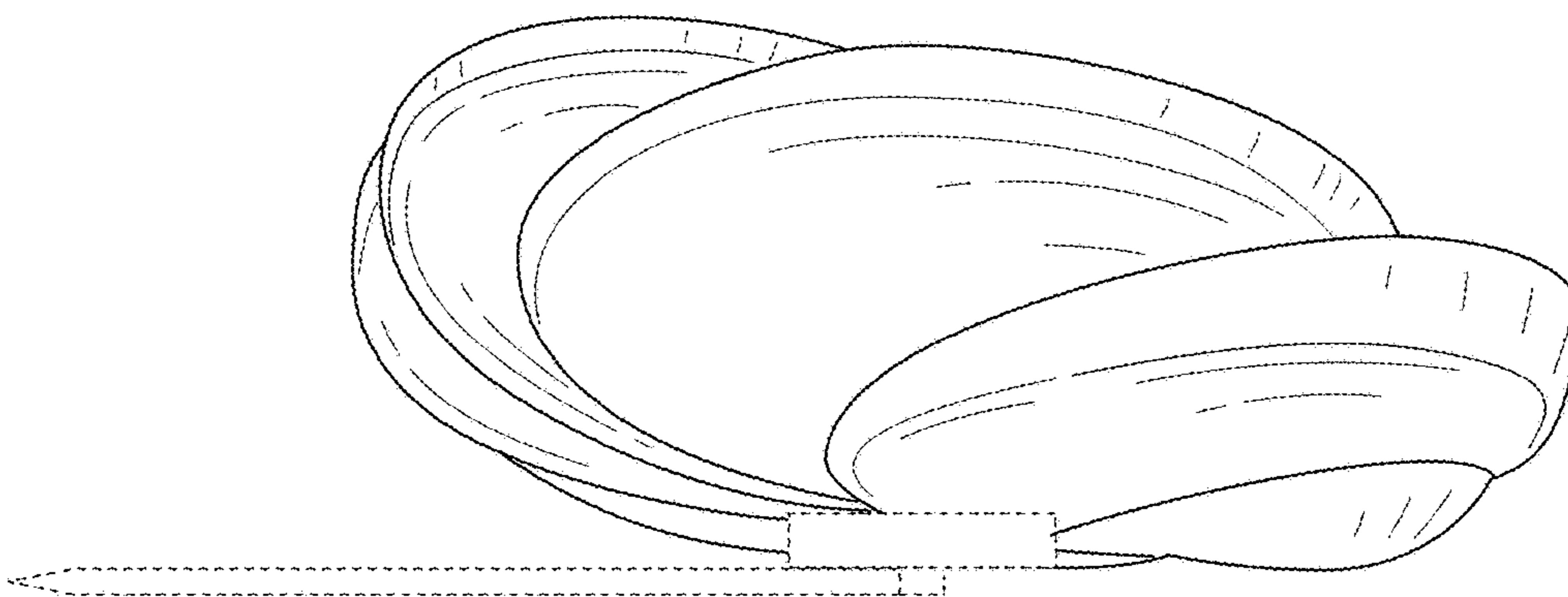


FIG. 3

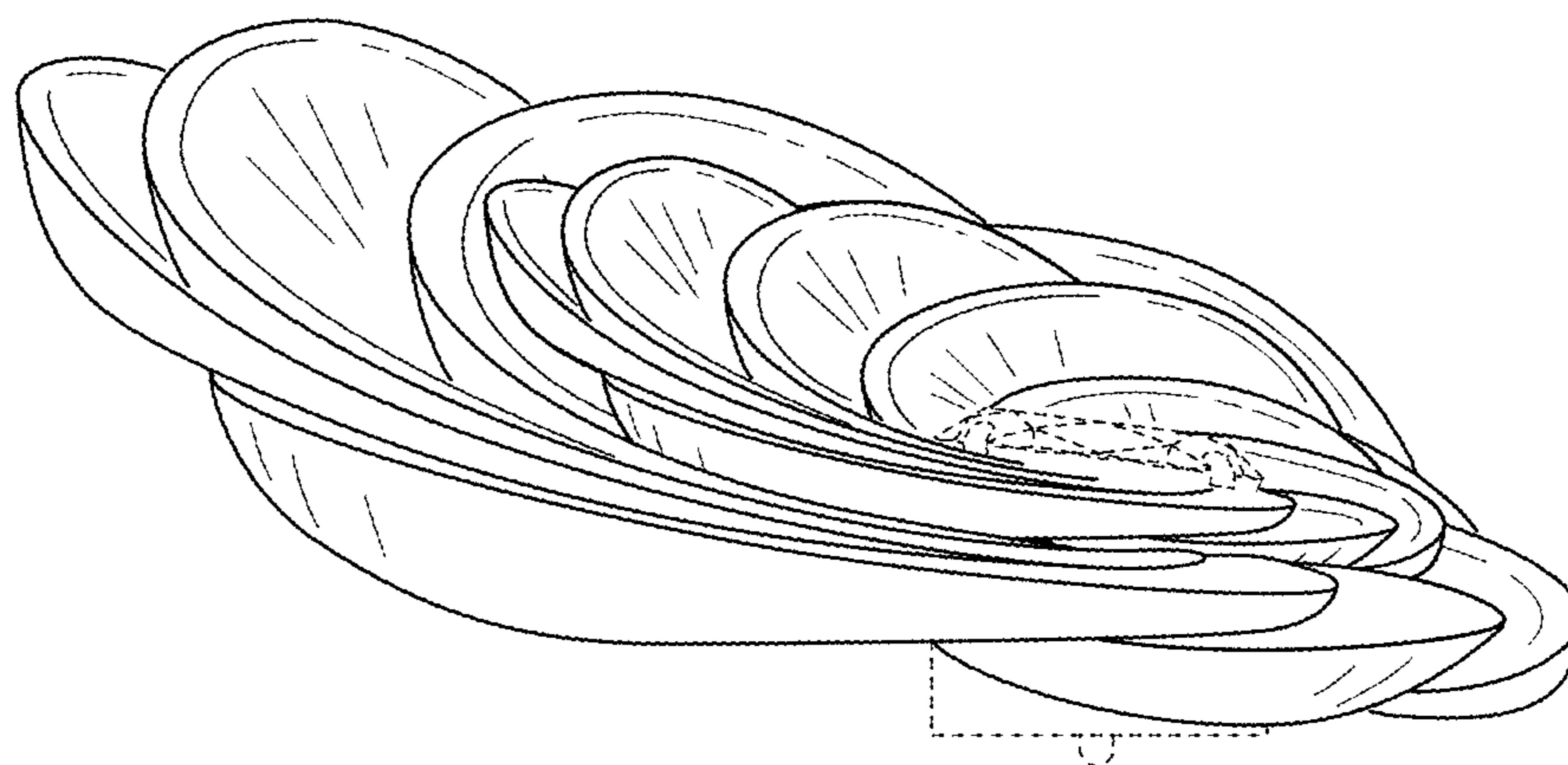


FIG. 4

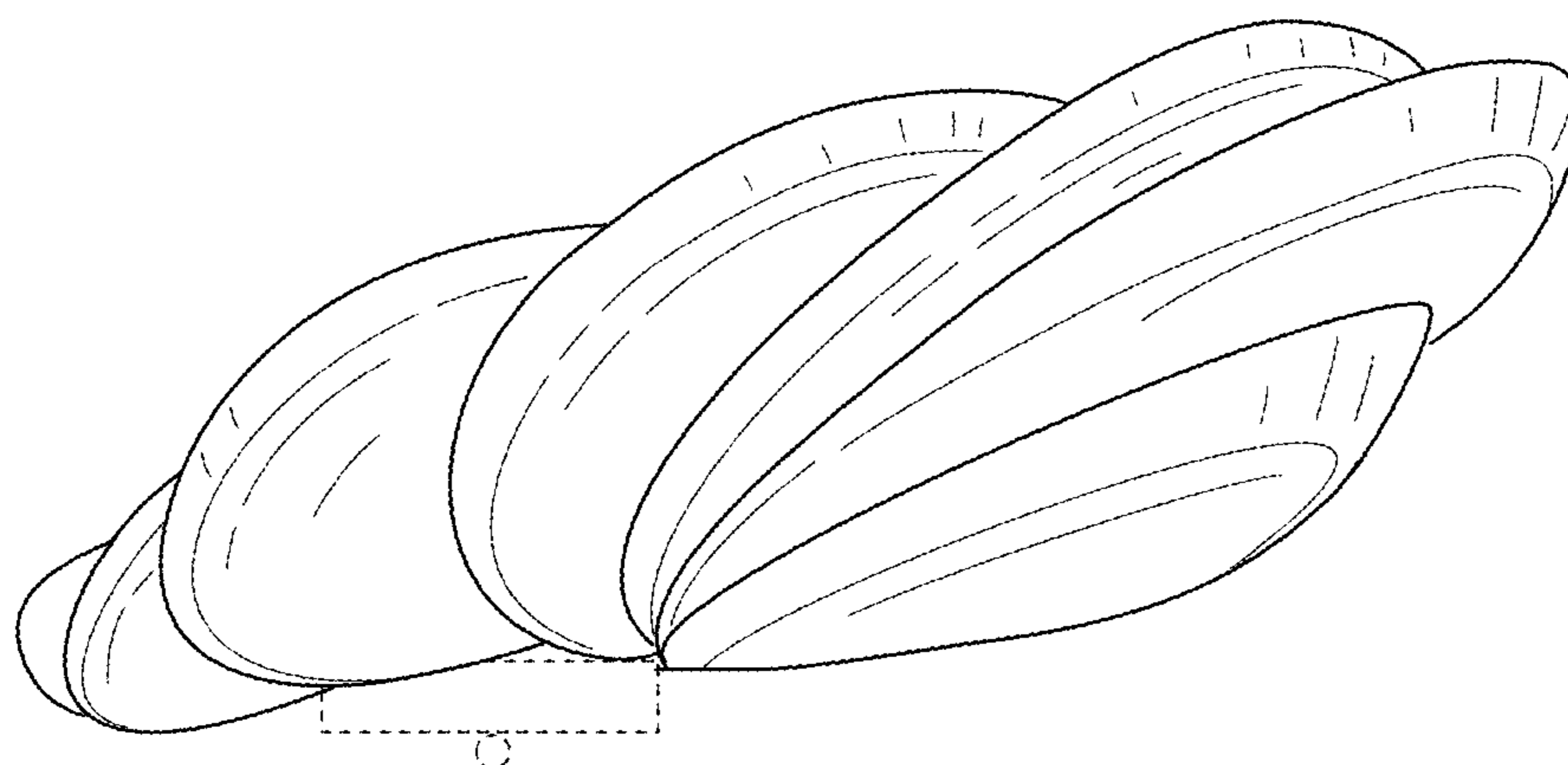


FIG. 5

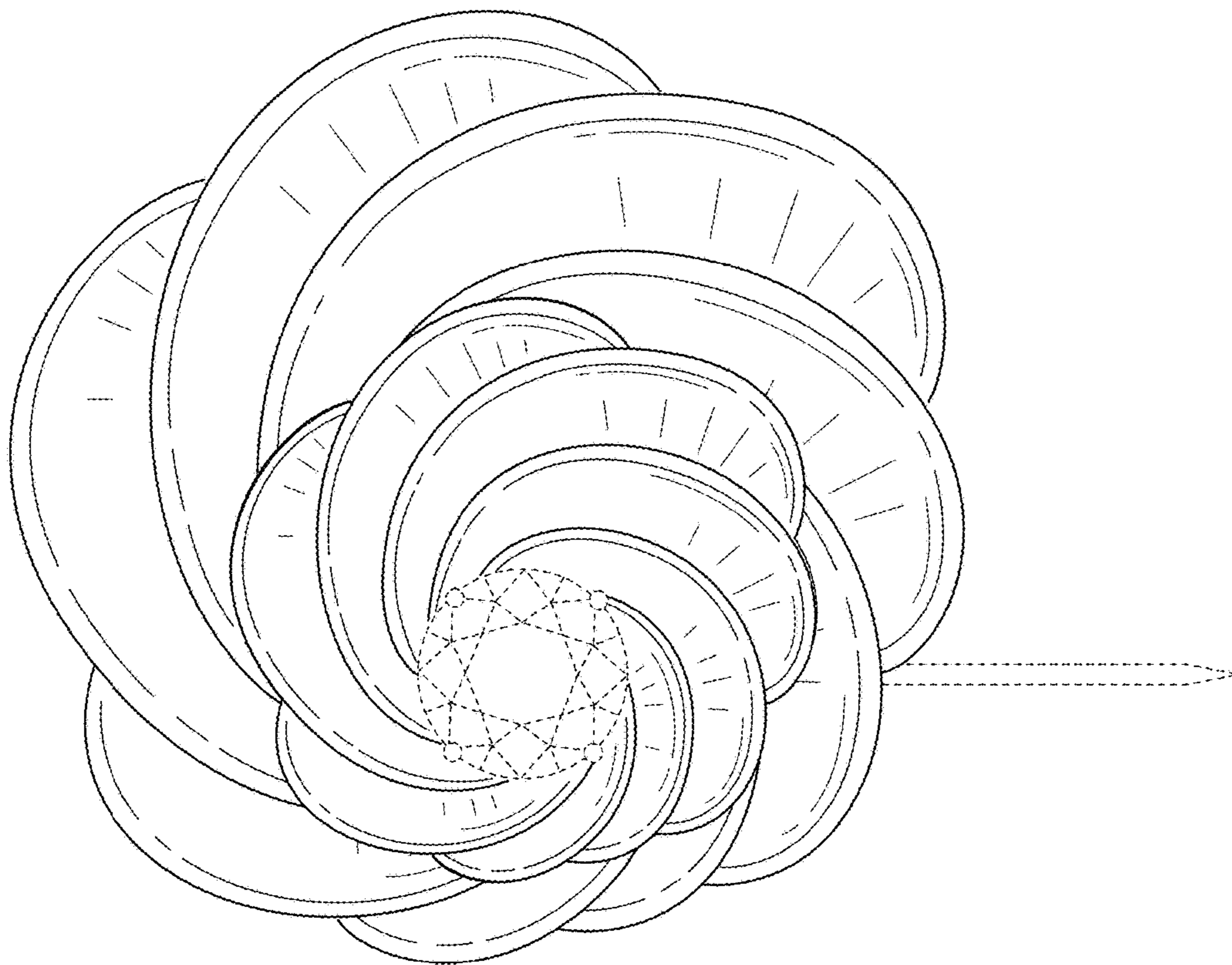


FIG. 6

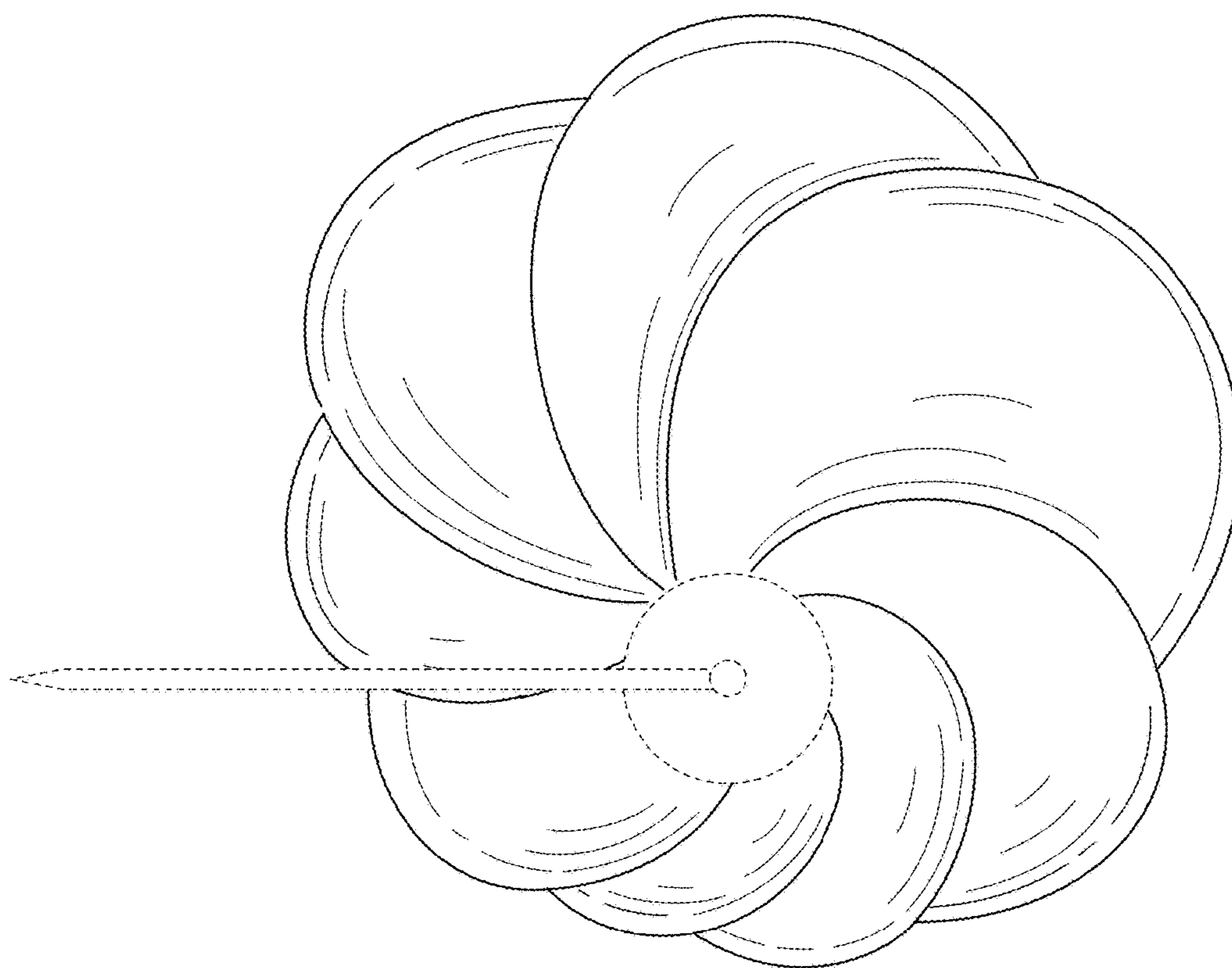


FIG. 7