



US00D802467S

(12) **United States Design Patent**  
**Novak**

(10) **Patent No.:** **US D802,467 S**

(45) **Date of Patent:** **\*\* Nov. 14, 2017**

(54) **WATCH STRAP**

(71) Applicant: **Smart Strappers LLC**, Spring Park, MN (US)

(72) Inventor: **Jason Novak**, Chicago, IL (US)

(73) Assignee: **SMART STRAPPERS LLC**, Spring Park, MN (US)

(\*\*) Term: **15 Years**

(21) Appl. No.: **29/586,841**

(22) Filed: **Dec. 7, 2016**

(51) **LOC (10) Cl.** ..... **11-01**

(52) **U.S. Cl.**  
USPC ..... **D11/3**

(58) **Field of Classification Search**  
USPC ..... D11/1-6; D10/30-32, 38, 39, 46, 70, D10/128; D14/344; D24/167, 169, 186, D24/187; D3/215, 217, 218  
CPC ..... A44C 5/00; A44C 5/0007; A44C 5/0015; A44C 5/0023; A44C 5/003; A44C 5/0038; A44C 5/0046; A44C 5/0053; A44C 5/0061; A44C 5/0069; A44C 5/0076; A44C 5/02; A44C 5/022; A44C 5/025; A44C 5/027; A44C 5/04; A44C 5/06; A44C 5/08; A44C 11/00; A44C 13/00; A44C 15/00; G06F 1/163  
See application file for complete search history.

(56) **References Cited**

**U.S. PATENT DOCUMENTS**

- 5,065,376 A 11/1991 Choulat
- 5,092,067 A \* 3/1992 Prout ..... A44C 5/0015  
40/633
- D362,946 S \* 10/1995 Polenberg ..... D11/3
- D377,154 S \* 1/1997 Rumo ..... D11/3
- D377,914 S \* 2/1997 Riley ..... D11/3

- D378,901 S \* 4/1997 Riley ..... D11/3
  - D379,327 S \* 5/1997 Navera ..... D11/3
  - 5,631,879 A 5/1997 Pequignet
  - D515,944 S \* 2/2006 Ohki ..... D10/32
- (Continued)

**OTHER PUBLICATIONS**

Amazon.com "*Life Trak Band*," located at <http://www.amazon.com/LifeTrak-LTKSS005-Parent-Life-Trak-Band/dp/B00GZHSUMM> (Jan. 5, 2016).  
(Continued)

*Primary Examiner* — Cynthia Ramirez  
*Assistant Examiner* — Llorellys Martinez-Rivera  
(74) *Attorney, Agent, or Firm* — Leydig, Voit & Mayer, Ltd.

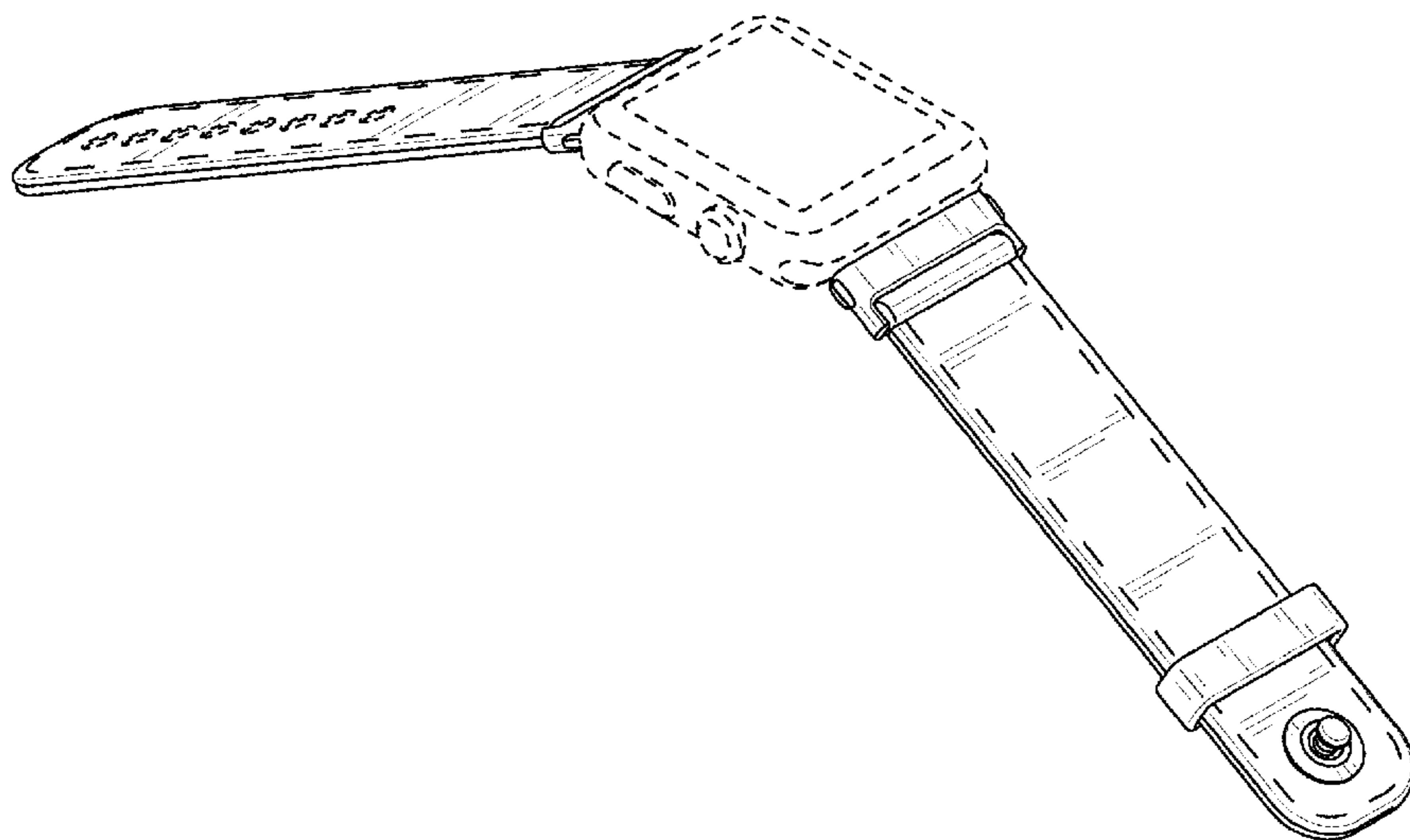
(57) **CLAIM**

The ornamental design for a watch strap, as shown and described.

**DESCRIPTION**

FIG. 1 is a perspective view taken from the front, top, and left side of a watch strap in accordance with my new design. FIG. 2 is a left side elevation view of the watch strap of FIG. 1.  
FIG. 3 is a right side elevation view of the watch strap of FIG. 1.  
FIG. 4 is a front elevation view of the watch strap of FIG. 1.  
FIG. 5 is a rear elevation view of the watch strap of FIG. 1.  
FIG. 6 is a top elevation view of the watch strap of FIG. 1; and,  
FIG. 7 is a bottom elevation view of the watch strap of FIG. 1.  
The broken lines shown in the figures depict portions of the watch strap that form no part of the claimed design. The long dashes along the perimeters of the watch straps depict stitching.

**1 Claim, 6 Drawing Sheets**



(56)

**References Cited**

U.S. PATENT DOCUMENTS

7,703,974 B2 4/2010 Bouille  
D737,159 S \* 8/2015 Akana ..... D10/32  
D746,707 S \* 1/2016 Akana ..... D10/39  
D758,900 S \* 6/2016 Garner ..... D10/70  
D789,822 S \* 6/2017 Akana ..... D11/3  
D790,366 S \* 6/2017 Nuovo ..... D10/70  
2009/0173760 A1 7/2009 Good  
2010/0243688 A1 9/2010 Gutierrez et al.  
2014/0083133 A1 3/2014 Lee et al.  
2017/0181510 A1\* 6/2017 Novak ..... A44C 5/147

OTHER PUBLICATIONS

Mashable, “12 Unique Apple Watch Bands We Want on Our Wrists,” located at <http://mashable.com/2014/09/11/apple-watch-bands/#JFzn6Y39GGqE> (Jan. 5, 2016).

\* cited by examiner

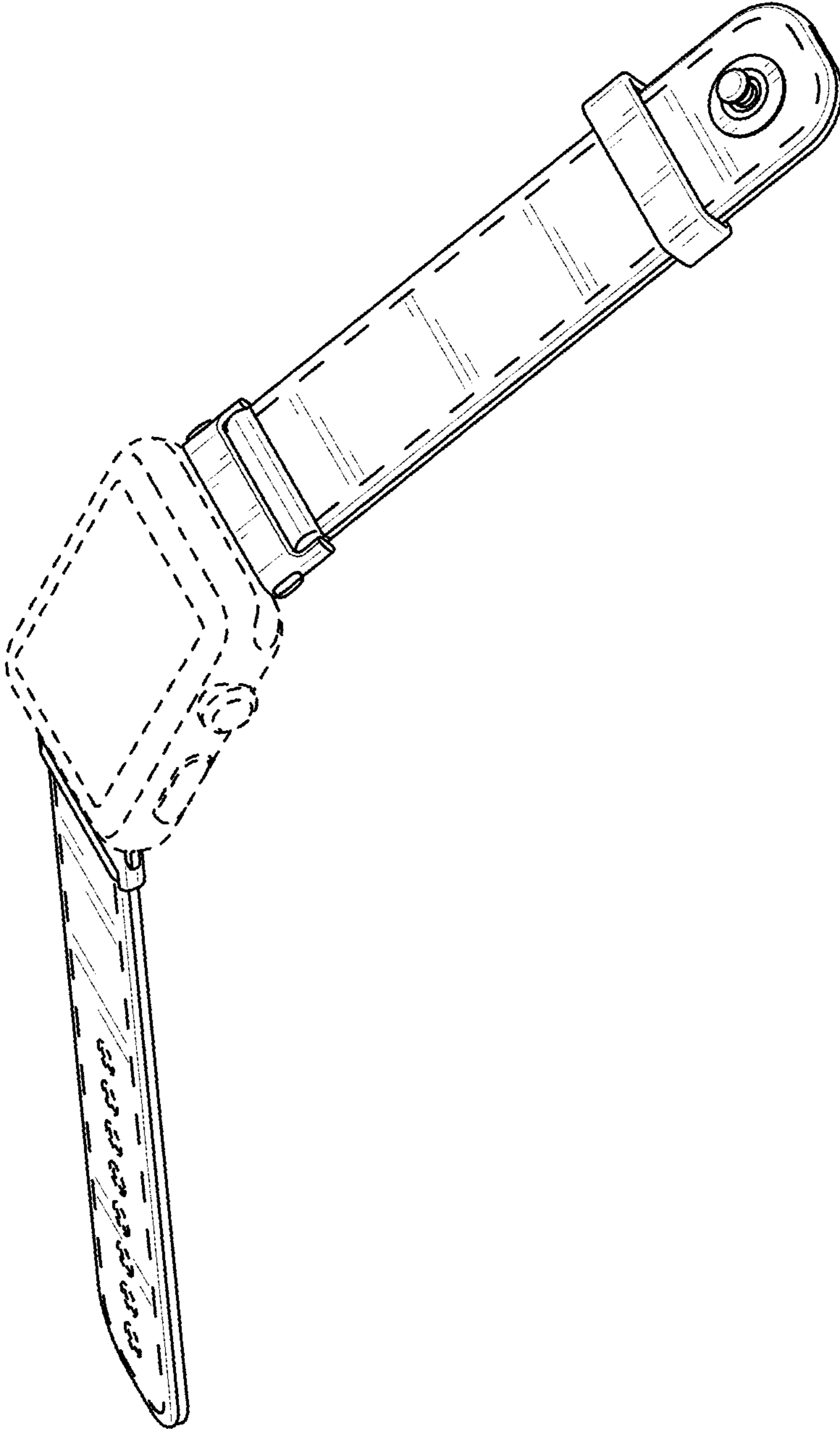


FIG. 1

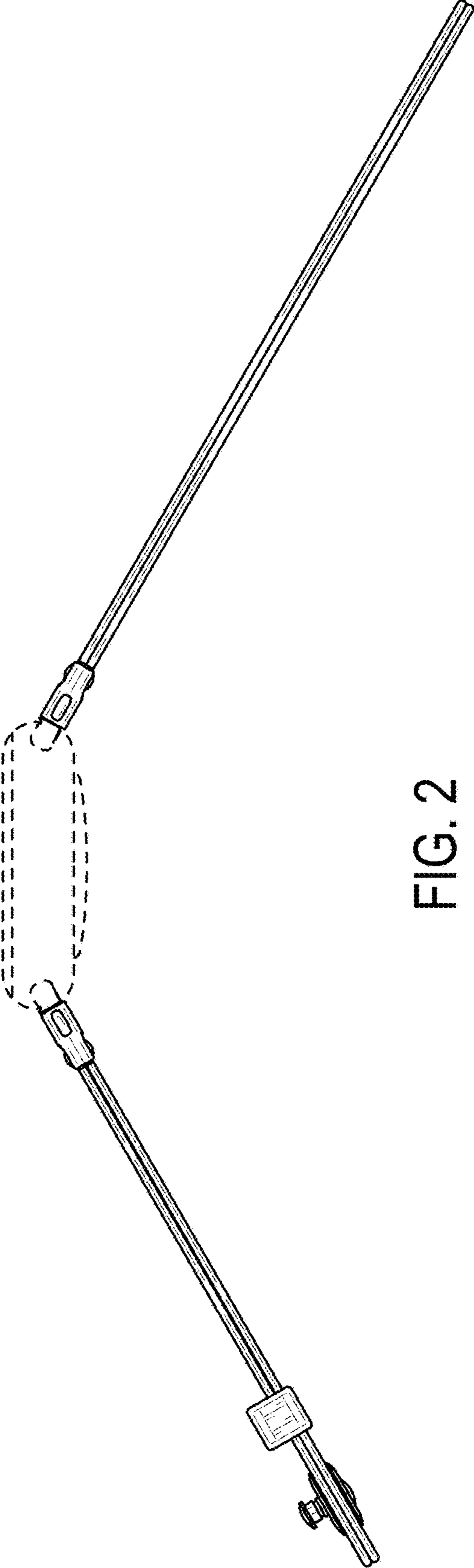


FIG. 2

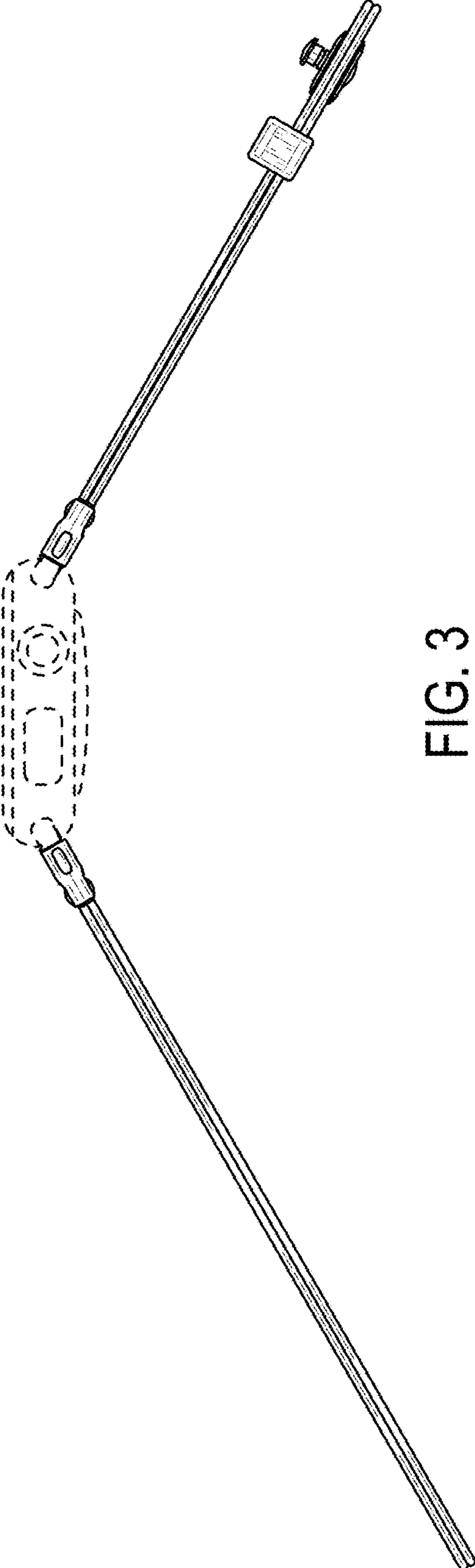


FIG. 3

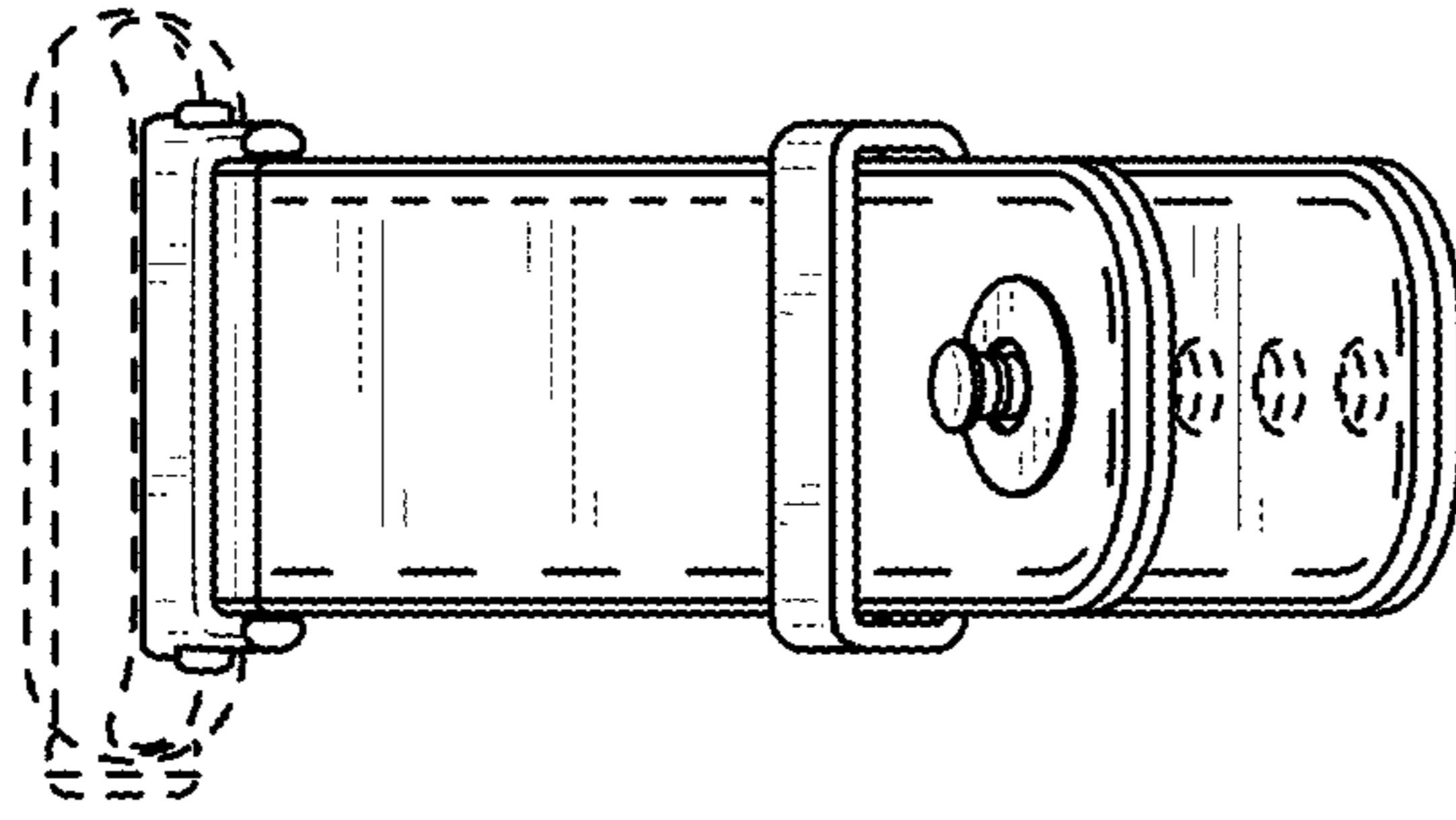


FIG. 5

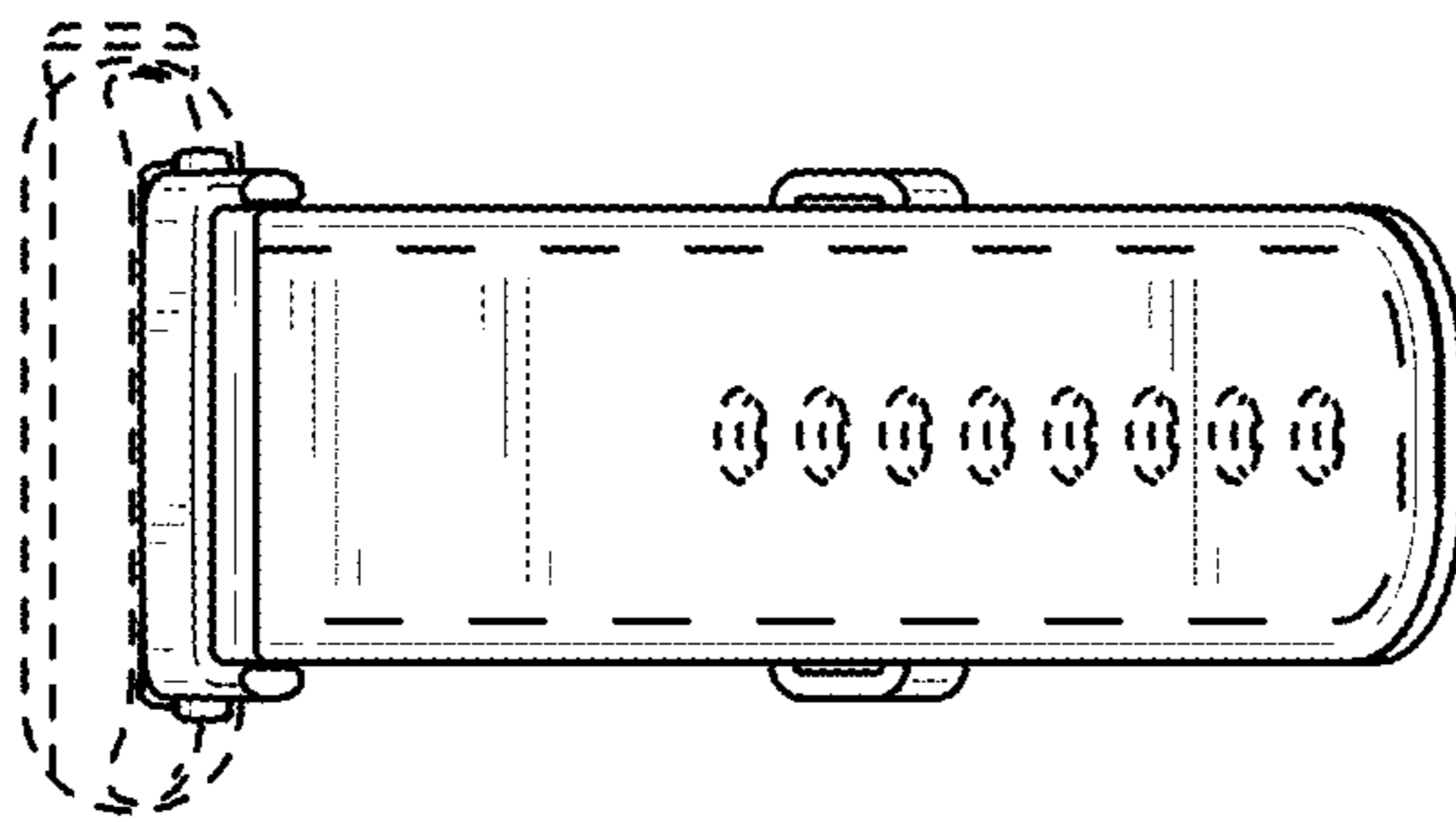


FIG. 4

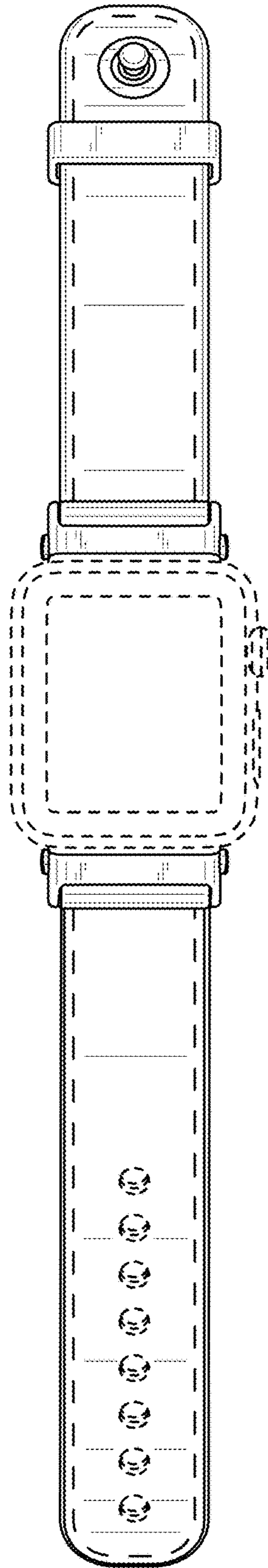


FIG. 6

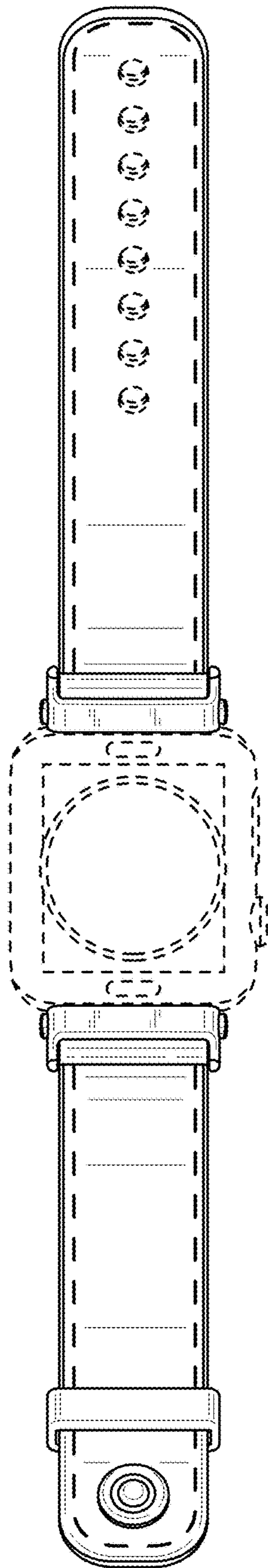


FIG. 7