



US00D802464S

(12) **United States Design Patent** (10) **Patent No.:** **US D802,464 S**
Barden (45) **Date of Patent:** **** Nov. 14, 2017**

- (54) **WATCH**
- (71) Applicant: **Hollie Bonneville Barden**, London (GB)
- (72) Inventor: **Hollie Bonneville Barden**, London (GB)
- (73) Assignee: **DE BEERS DIAMOND JEWELERS LTD.**, London (GB)
- (**) Term: **15 Years**
- (21) Appl. No.: **29/602,168**
- (22) Filed: **Apr. 28, 2017**

15/0025; A44C 15/003; A44C 25/00; A44C 25/001; A44C 25/002; A44C 25/004; A44C 25/005; A44C 25/007
See application file for complete search history.

(56) **References Cited**

U.S. PATENT DOCUMENTS

D14,704 S *	2/1884	Chatellier	D11/76
2,119,039 A	5/1938	Herbert		
D138,870 S *	9/1944	Johnson	D11/40
D138,882 S *	9/1944	Katz	D11/227

(Continued)

OTHER PUBLICATIONS

[Online] <http://www.lifestyleasia.com/416883/weekly-obsession-de-beers-aria-collection-cuffs/>. Posted online Nov. 5, 2014. Retrieved Sep. 13, 2017.*

(Continued)

Primary Examiner — Melanie Pellegrini
(74) *Attorney, Agent, or Firm* — Porzio Bromberg & Newman P.C.

Related U.S. Application Data

- (62) Division of application No. 29/560,721, filed on Apr. 8, 2016, now Pat. No. Des. 792,263, which is a division of application No. 29/503,098, filed on Sep. 23, 2014, now Pat. No. Des. 771,515.

Foreign Application Priority Data

- Apr. 3, 2014 (EM) 001410955-0001
- Apr. 3, 2014 (EM) 002439638-0001
- Apr. 3, 2014 (EM) 002439638-0002
- Apr. 3, 2014 (EM) 002439638-0003
- Apr. 3, 2014 (EM) 002439638-0004

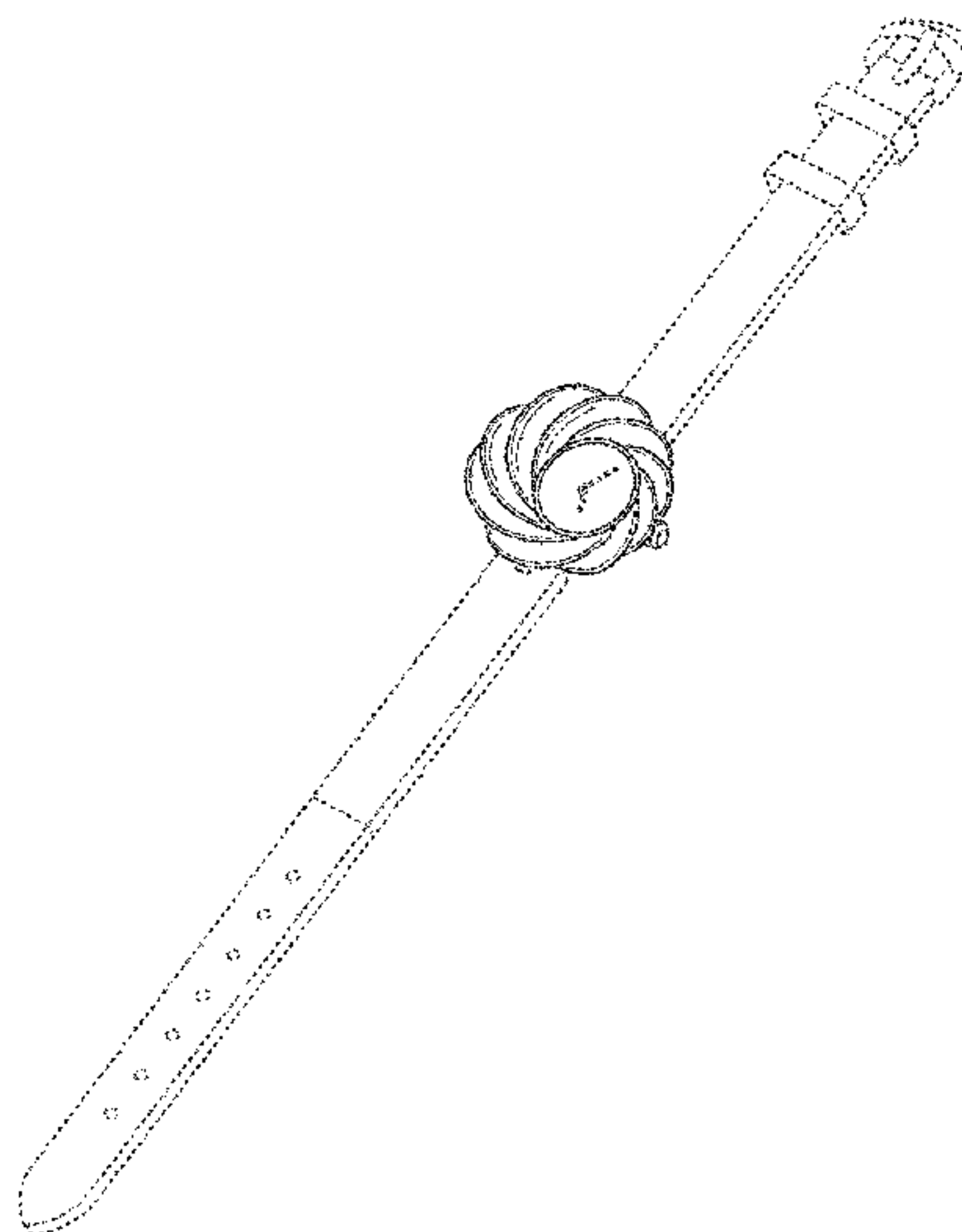
(57) **CLAIM**

I claim, the ornamental design for a watch, as shown and described.

DESCRIPTION

FIG. 1 is a perspective view of a watch showing my new design;
FIG. 2 is a top view thereof;
FIG. 3 is a bottom view thereof;
FIG. 4 is a right side view thereof;
FIG. 5 is a left side view thereof;
FIG. 6 is a front view thereof; and,
FIG. 7 is a rear view thereof.
The broken lines shown in the drawings illustrate portions of the watch that form no part of the claimed design.

1 Claim, 6 Drawing Sheets



(56)

References Cited

U.S. PATENT DOCUMENTS

D145,614 S * 9/1946 McMullin D10/36
D151,362 S 10/1948 Katz
D151,363 S 10/1948 Katz
D164,811 S * 10/1951 Gerstenzang D11/67
D248,741 S 8/1978 Barr
D279,359 S * 6/1985 Szigeti D10/126
D343,797 S * 2/1994 Santiccioli D10/128
D351,119 S * 10/1994 McMullin D11/1
D387,300 S * 12/1997 Morrison D11/40
D534,454 S 1/2007 Karachi-Langane
D546,728 S 7/2007 Hardy
D557,170 S 12/2007 Hardy
D630,960 S * 1/2011 Vogeli D10/128
D652,339 S 1/2012 Zander
D662,850 S 7/2012 Daniel
D665,296 S 8/2012 Fillon
D666,117 S 8/2012 Le Bail
D691,911 S 10/2013 Hardy

D709,788 S 7/2014 Samanta
D713,754 S 9/2014 Pasquetti
D734,197 S 7/2015 Argyraki
D758,214 S * 6/2016 Gueit D10/36
D792,263 S * 7/2017 Barden D11/26
2013/0263627 A1 10/2013 Bissierier

OTHER PUBLICATIONS

[Online] <https://i.pinimg.com/736x/3b/5a/83/3b5a83d953cd25d095abe537b6dc8fb9.jpg>. Retrieved Sep. 13, 2017.*
[Online] <http://fashionmaxi.com/wp-content/uploads/2015/03/Most-Beautiful-Luxury-Watches-2015-For-Girls-25.jpg>. Retrieved Sep. 13, 2017.*
[Online] http://www.debeers.com/media/catalog/product/cache/1/image/700x/9df78eab33525d08d6e5fb8d27136e95/i/1/j1/bu40b30w__O_1_2.jpg. Retrieved Apr. 18, 2017.

* cited by examiner

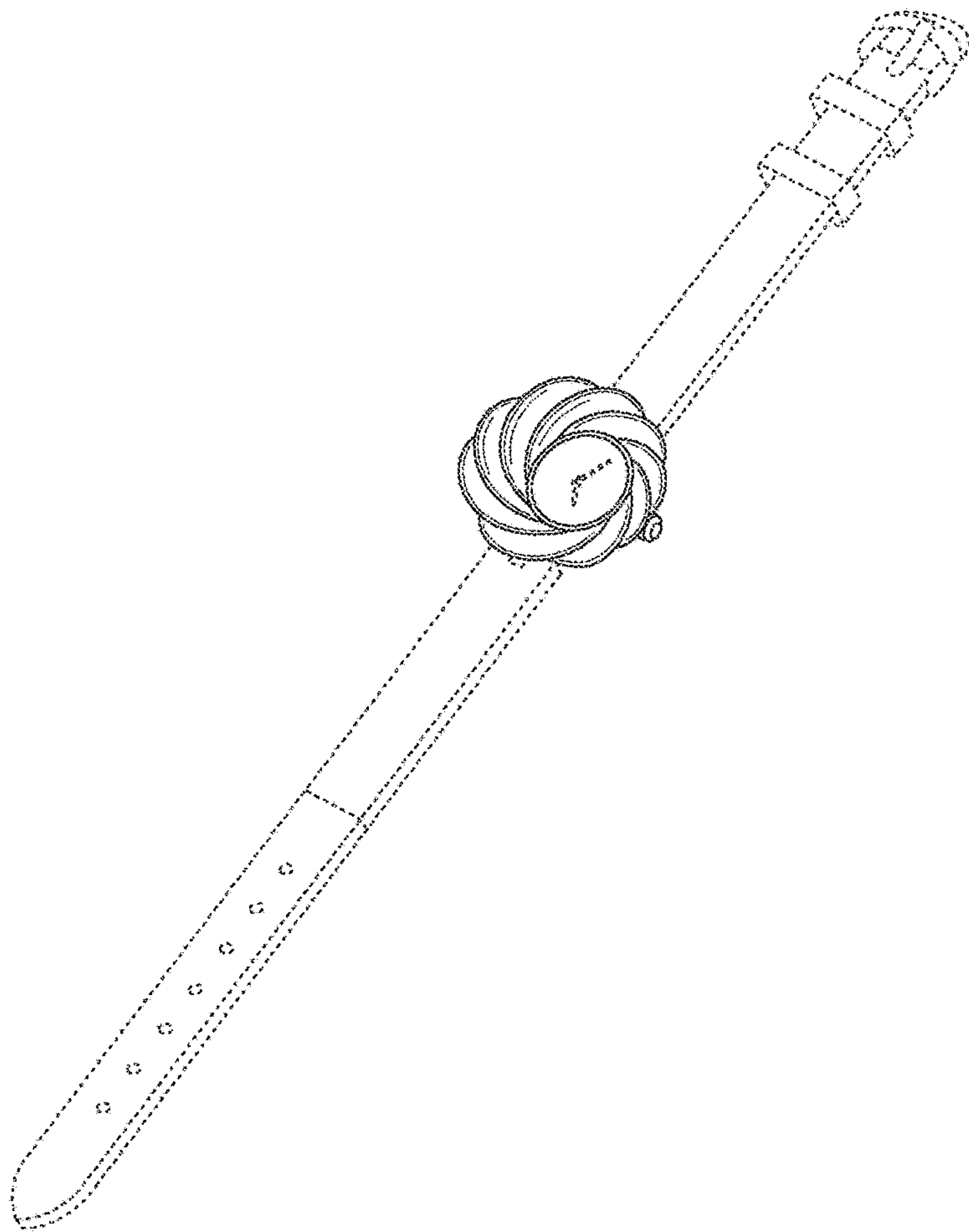


FIG. 1

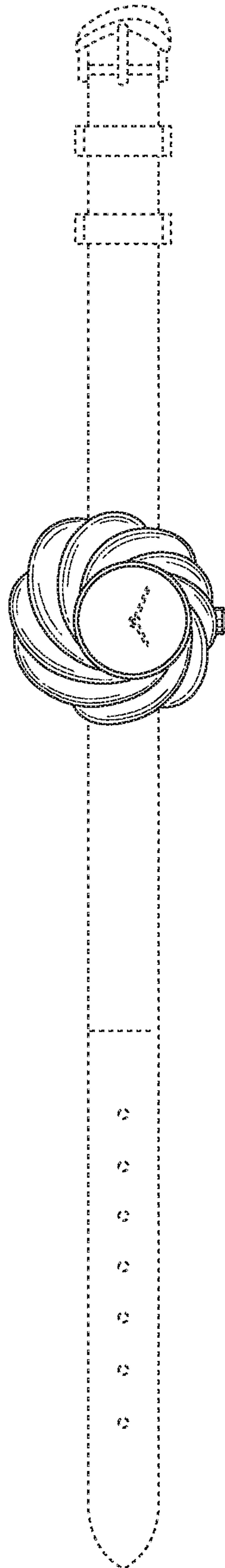


FIG. 2

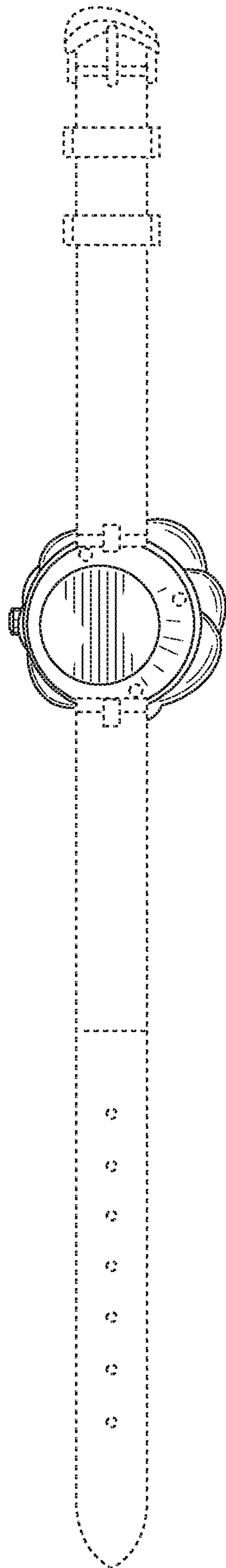


FIG. 3

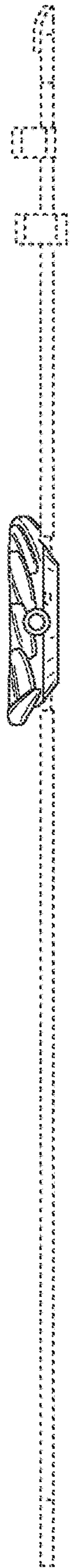


FIG. 4

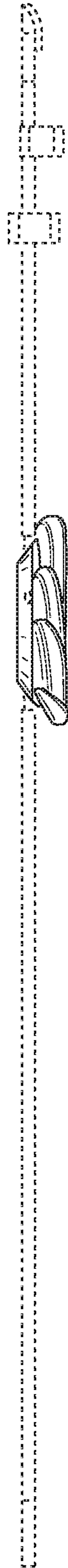


FIG. 5

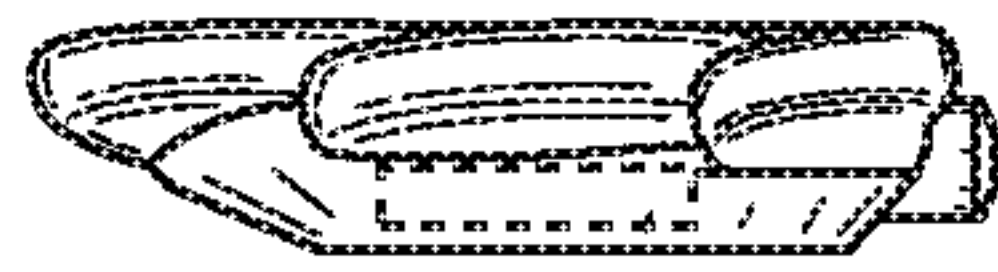


FIG. 6

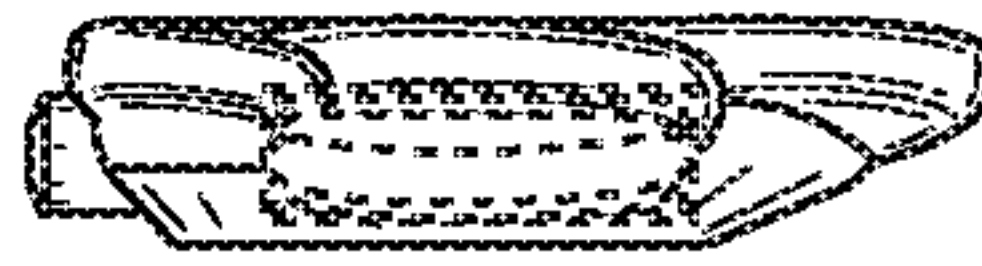


FIG. 7