



US00D802463S

(12) **United States Design Patent** (10) **Patent No.:** **US D802,463 S**  
**Siminoff et al.** (45) **Date of Patent:** **\*\* Nov. 14, 2017**

(54) **AUDIO/VIDEO DOORBELL**

(71) Applicant: **BOT Home Automation, Inc.**, Santa Monica, CA (US)  
(72) Inventors: **James Siminoff**, Pacific Palisades, CA (US); **John Modestine**, Los Angeles, CA (US); **Christopher Loew**, Palo Alto, CA (US)

(\*\*) Term: **15 Years**

(21) Appl. No.: **29/587,654**

(22) Filed: **Dec. 14, 2016**

(51) **LOC (10) Cl.** ..... **10-05**

(52) **U.S. Cl.**  
USPC ..... **D10/118.2**

(58) **Field of Classification Search**  
USPC ..... D10/104.1, 108, 116.1, 118, 118.2, D10/121-126; D16/202, 203, 208, 209, D16/215  
CPC ... G08B 3/00; G08B 3/10; G08B 7/00; G08B 7/06  
See application file for complete search history.

(56) **References Cited**

**U.S. PATENT DOCUMENTS**

D366,262 S *	1/1996	Inaba	.....	D10/104.1
D450,043 S *	11/2001	Mosebrook	.....	D13/164
D531,160 S *	10/2006	Yukikado	.....	D14/159
D562,306 S *	2/2008	Jeong	.....	D14/159
D616,321 S *	5/2010	Skaf	.....	D10/104.1
D621,795 S *	8/2010	Tsui	.....	D13/171
D706,729 S *	6/2014	Joshi	.....	D10/106.8
D707,186 S *	6/2014	Sloan	.....	D10/106.8
D707,188 S *	6/2014	Joshi	.....	D10/106.8
D746,711 S *	1/2016	Li	.....	D10/106.1
D765,530 S *	9/2016	Scalisi	.....	D10/118.2

**OTHER PUBLICATIONS**

U.S. Appl. No. 29/558,148, filed Mar. 15, 2016 (pending unpublished U.S. Patent Application).  
Website Printout from <https://ring.com/elite> (first published Sep. 2016).  
U.S. Appl. No. 29/577,668, filed Sep. 14, 2016 (pending unpublished U.S. Patent Application).

\* cited by examiner

*Primary Examiner* — George D Kirschbaum  
*Assistant Examiner* — Joseph Kukella

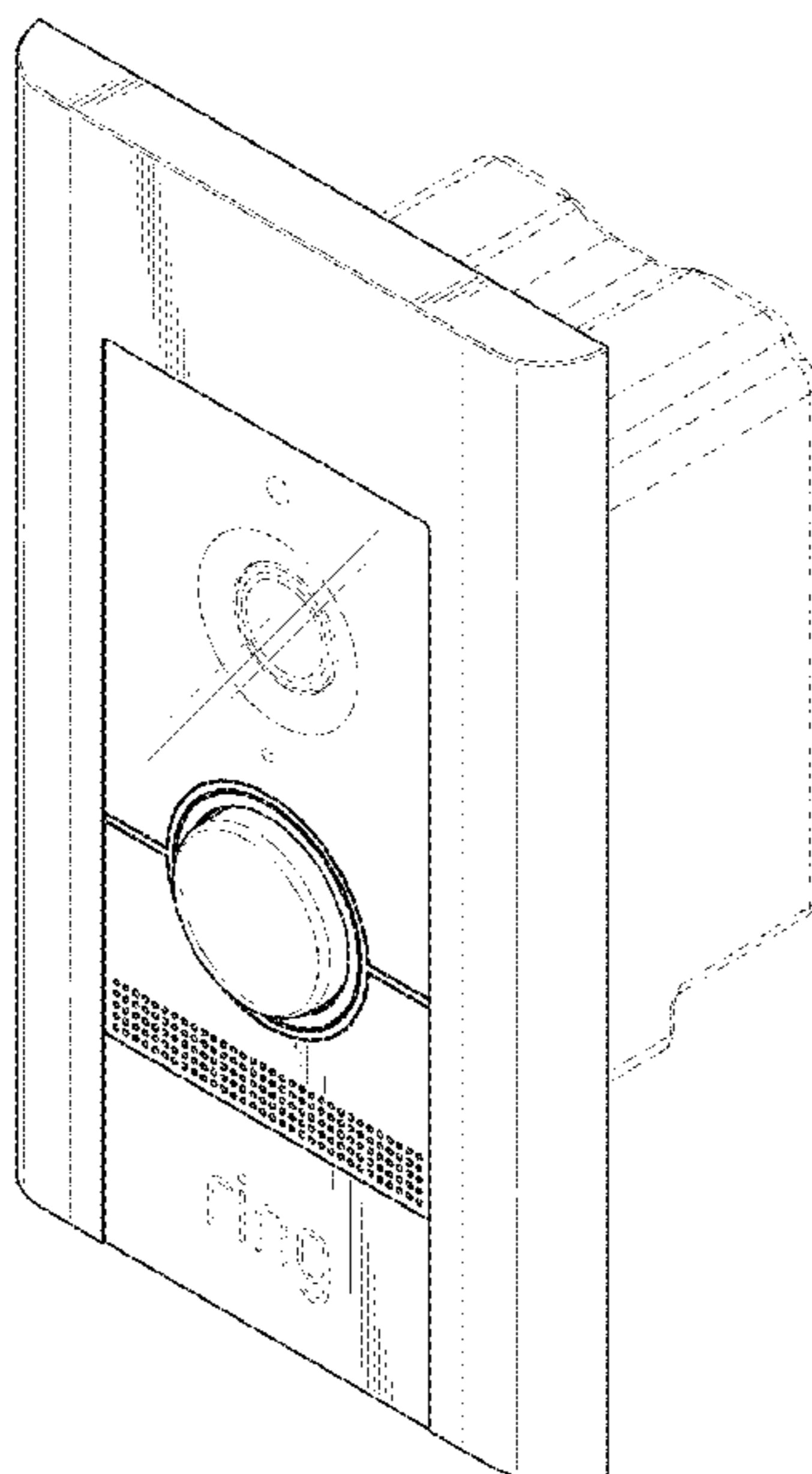
(57) **CLAIM**

The ornamental design for an audio/video doorbell, as shown and described.

**DESCRIPTION**

FIG. 1 is a front perspective view of the A/V doorbell according to the present design;  
FIG. 2 is a front elevational view of the A/V doorbell of FIG. 1;  
FIG. 3 is a rear elevational view of the A/V doorbell of FIG. 1;  
FIG. 4 is a right-side elevational view of the A/V doorbell of FIG. 1;  
FIG. 5 is a left-side elevational view of the A/V doorbell of FIG. 1;  
FIG. 6 is a top plan view of the A/V doorbell of FIG. 1;  
FIG. 7 is a bottom plan view of the A/V doorbell of FIG. 1; and,  
FIG. 8 is a front perspective view of the A/V doorbell of FIG. 1 engaged with a junction box, which is shown only to illustrate an example environment for the A/V doorbell.  
In the drawings, the broken lines depict environmental subject matter only and form no part of the claimed design.

**1 Claim, 7 Drawing Sheets**



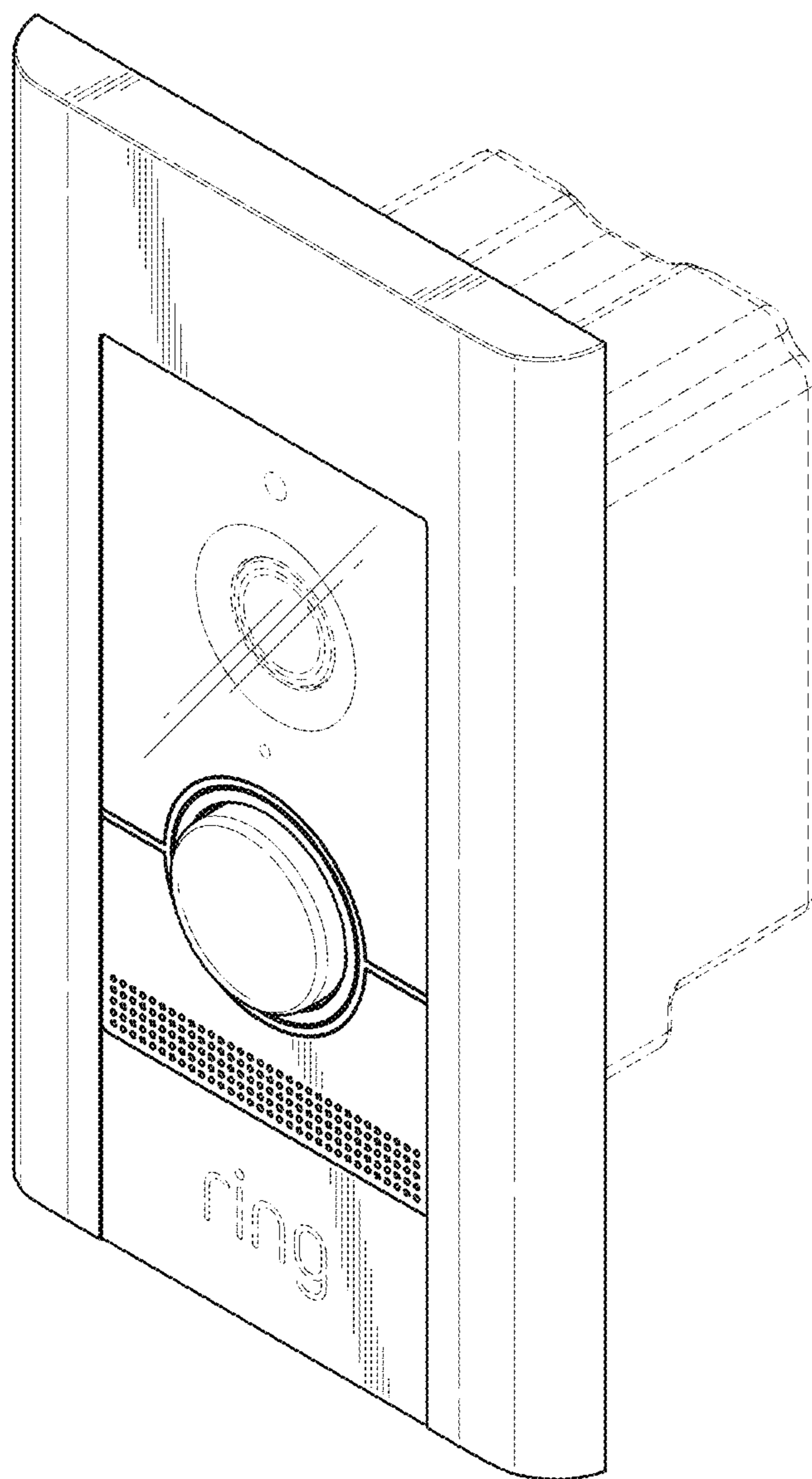


FIG. 1

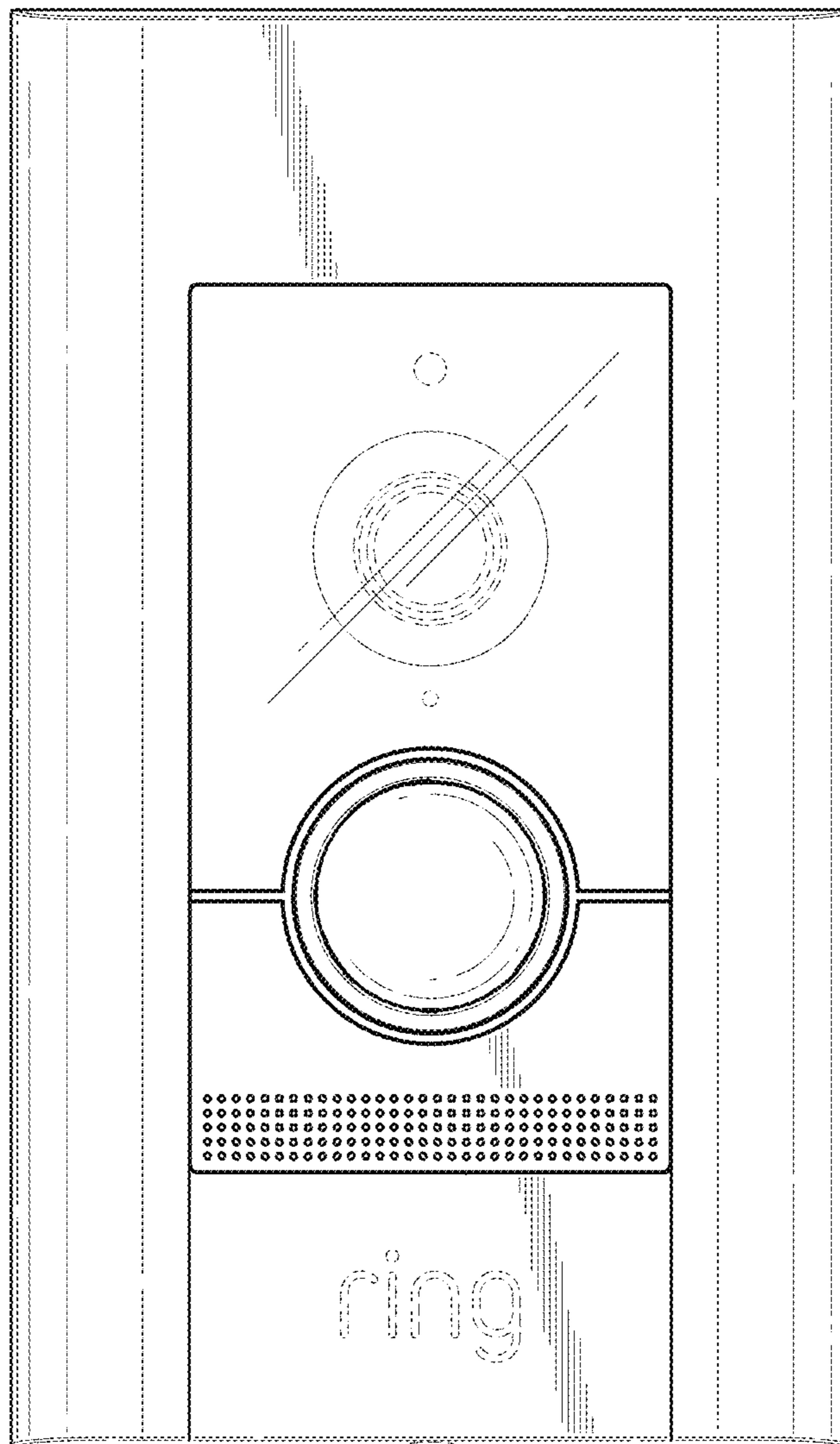


FIG. 2

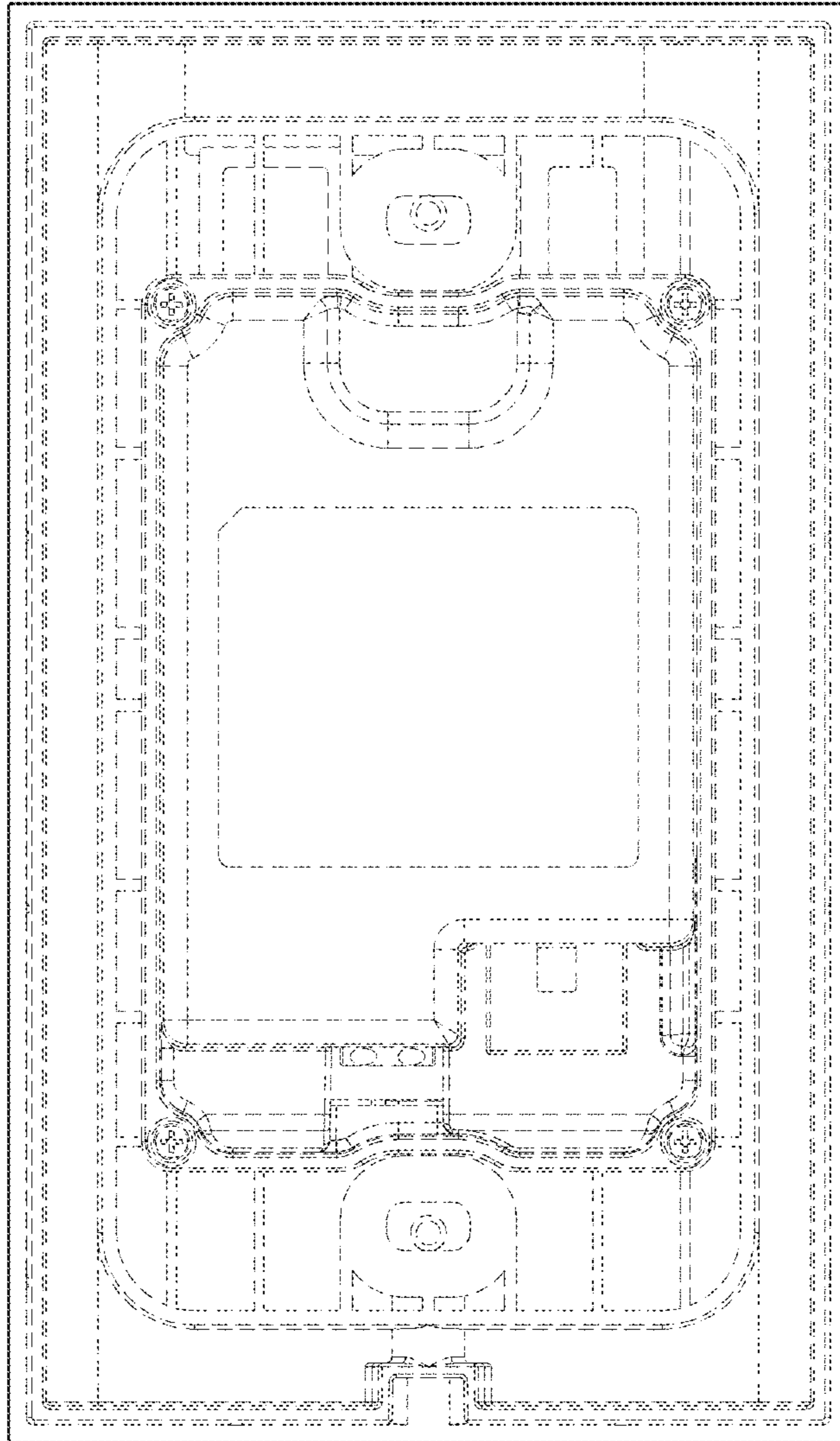


FIG. 3

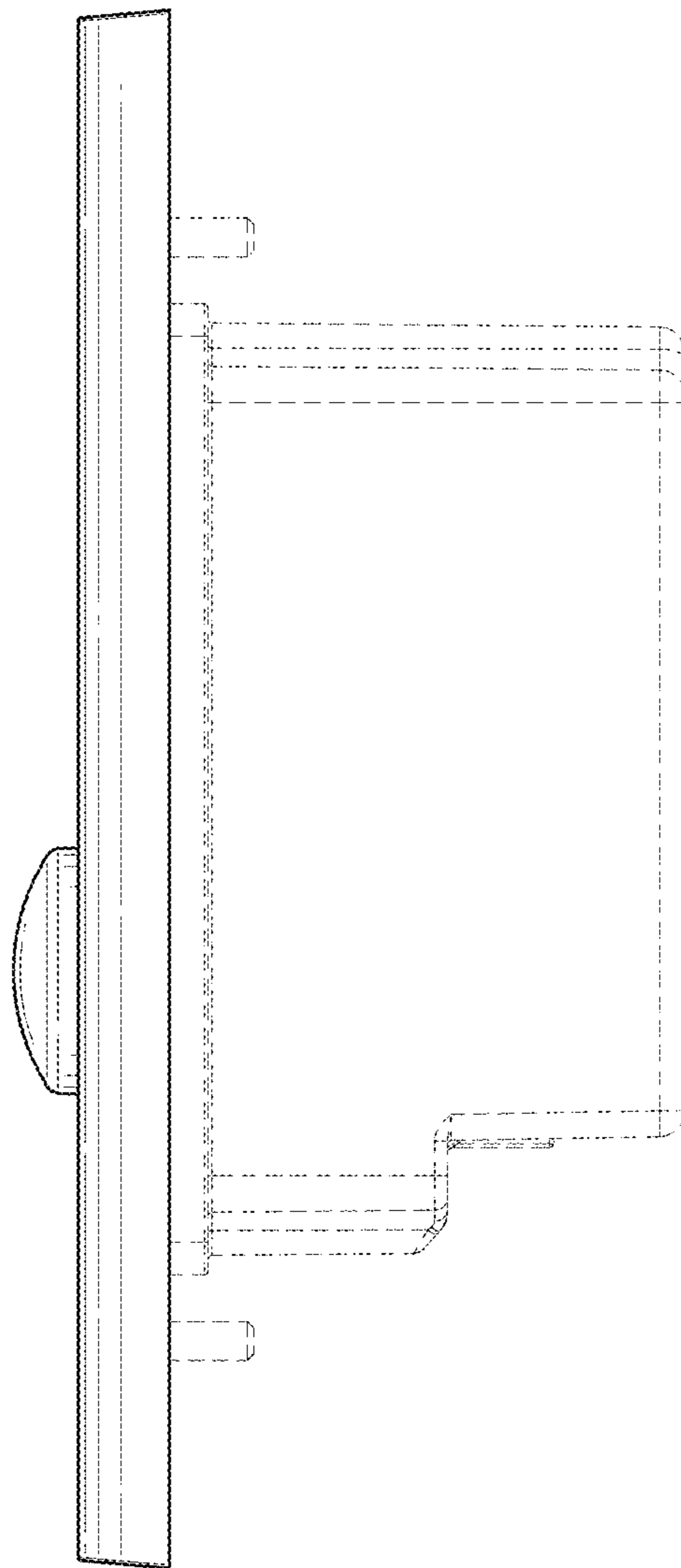


FIG. 4



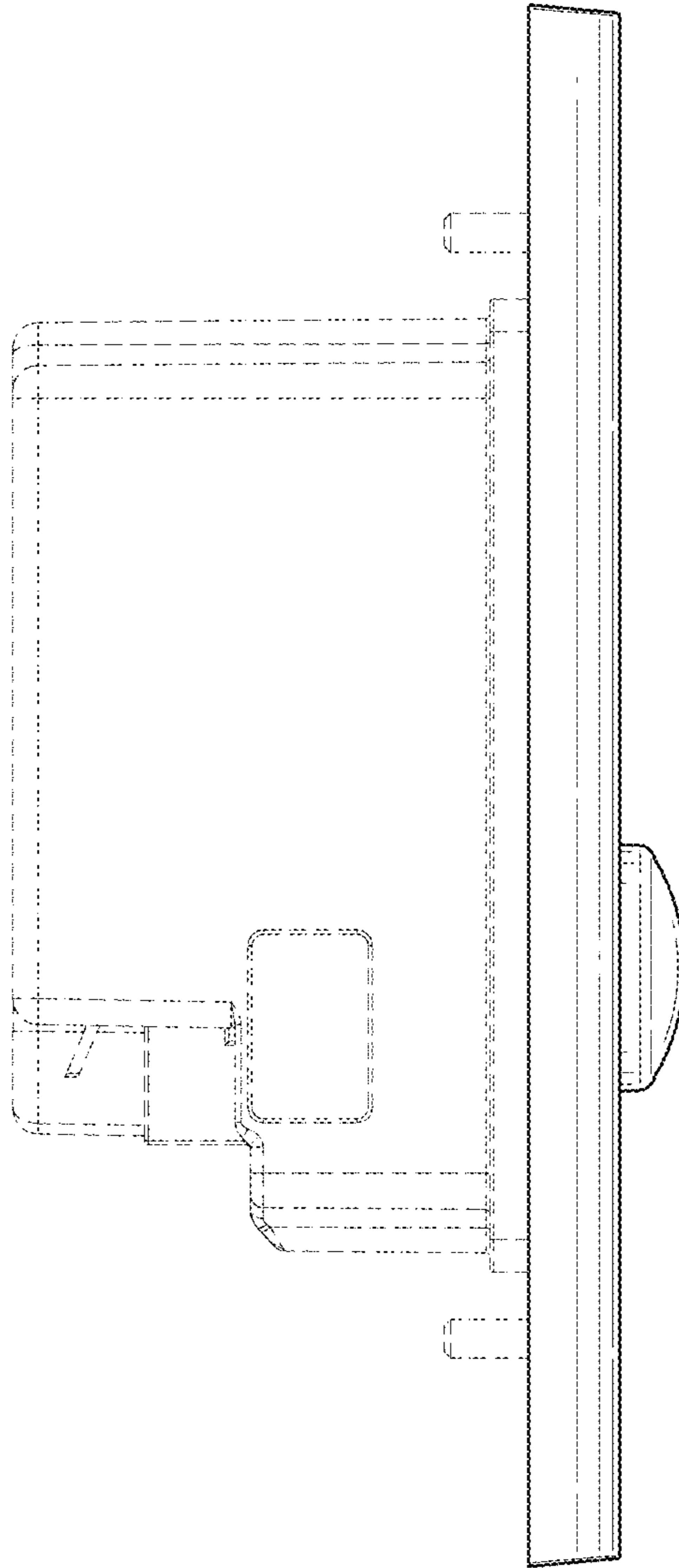


FIG. 5

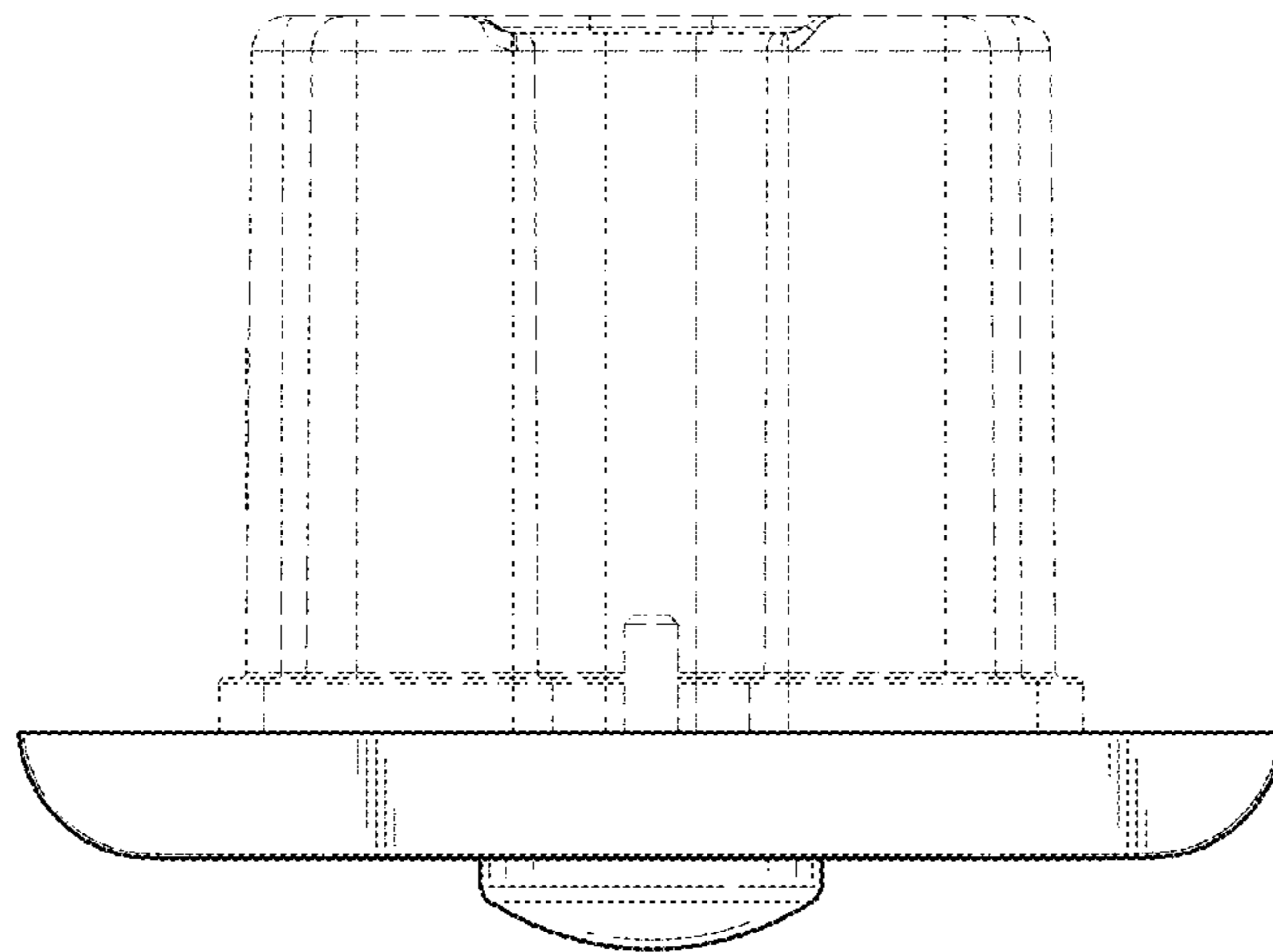


FIG. 6

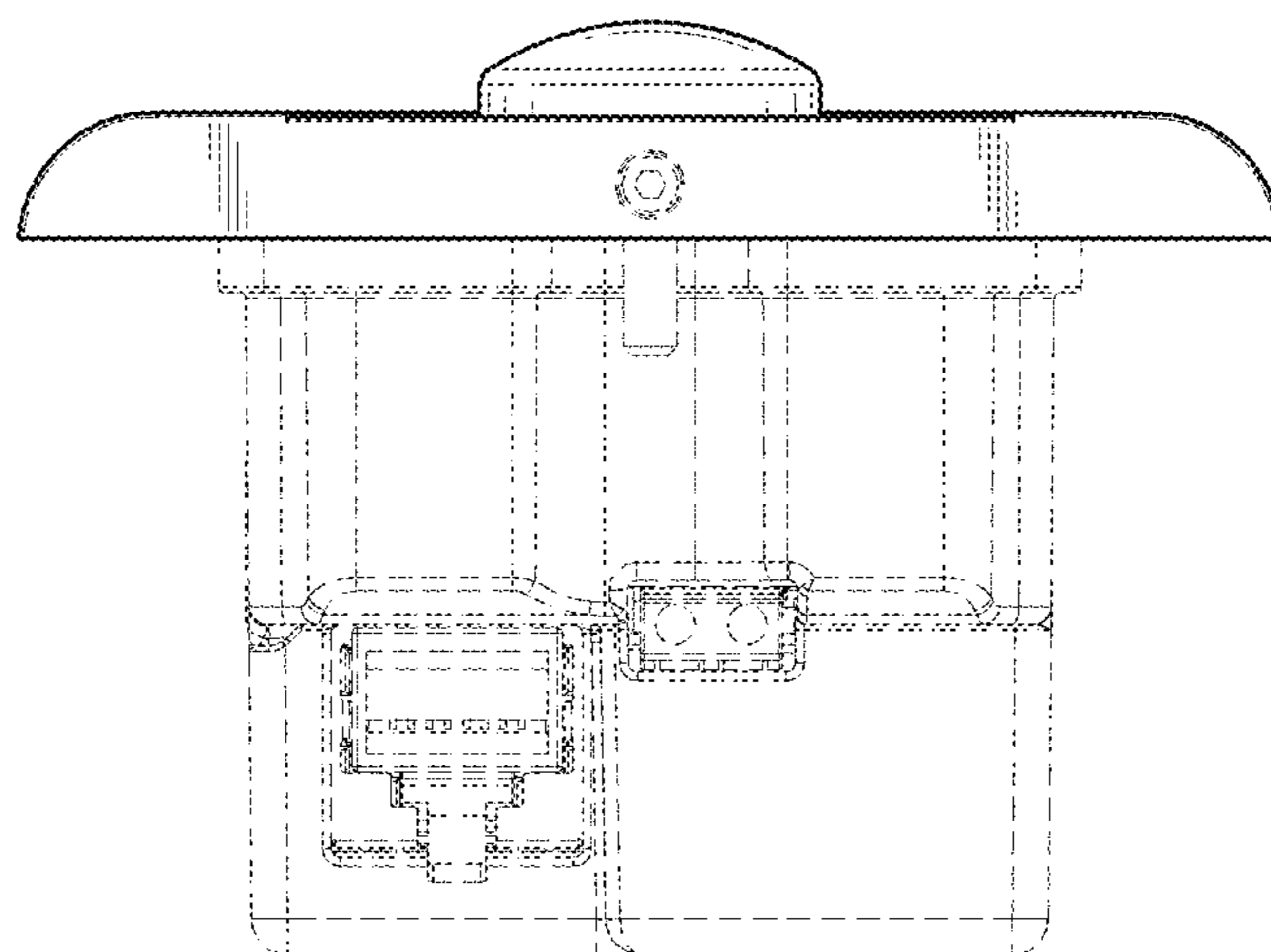


FIG. 7

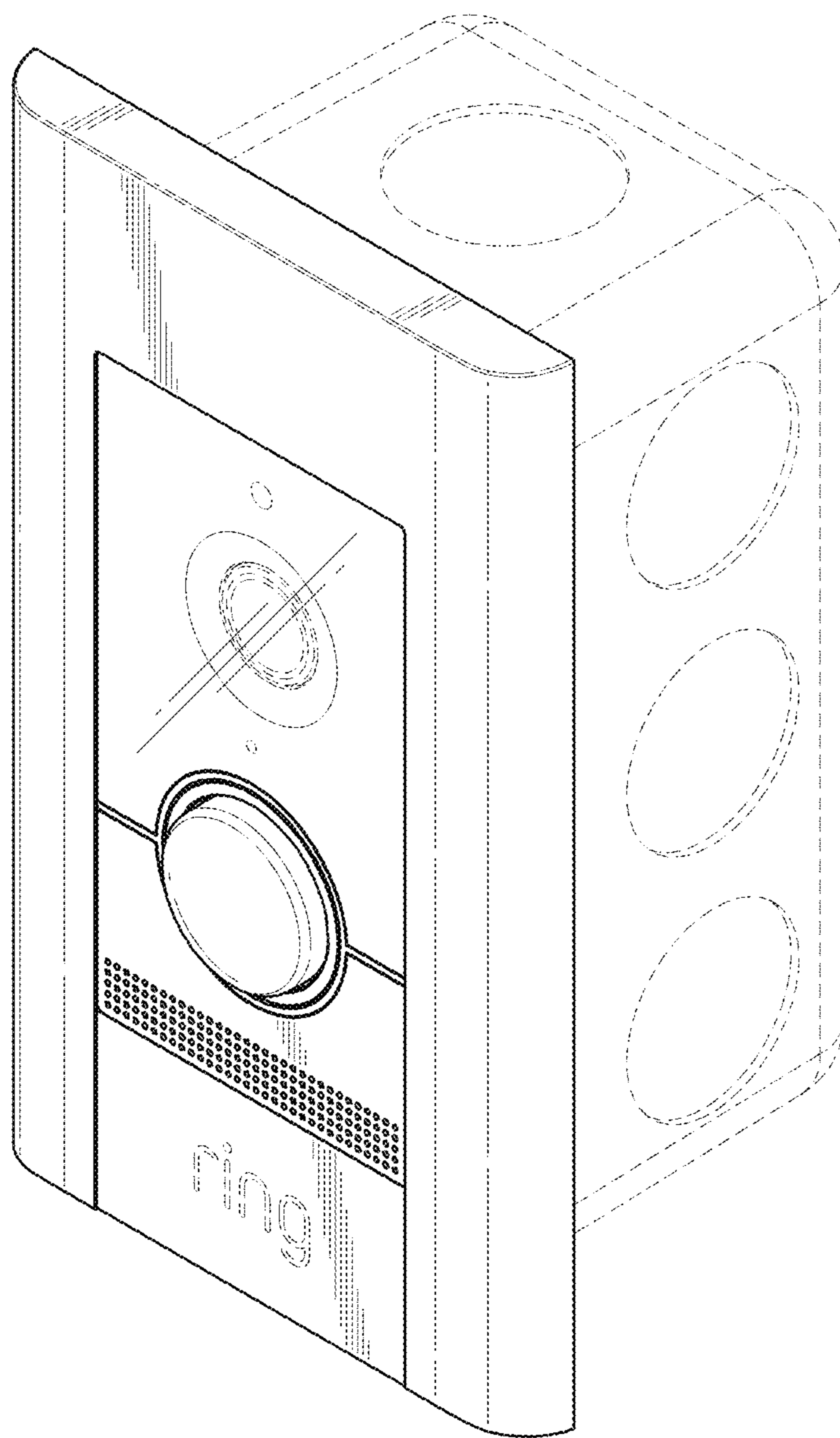


FIG. 8