



US00D802461S

(12) **United States Design Patent** (10) **Patent No.:** **US D802,461 S**
John et al. (45) **Date of Patent:** **** Nov. 14, 2017**

(54) **COVER FOR PHOTODIODE AND ELECTRIC METER**

- (71) Applicant: **GE Lighting Solutions, LLC**, East Cleveland, OH (US)
- (72) Inventors: **Ashbeel Younas John**, Montreal (CA); **Justin E Foster**, East Cleveland, OH (US); **Louis Bacon**, Lachine (CA); **Youcef Chaoua**, Lachine (CA); **Victor Isac**, Lachine (CA)
- (73) Assignee: **GE Lighting Solutions, LLC**, East Cleveland, OH (US)
- (**) Term: **15 Years**
- (21) Appl. No.: **29/601,620**
- (22) Filed: **Apr. 24, 2017**

Related U.S. Application Data

- (62) Division of application No. 29/548,803, filed on Dec. 16, 2015, now Pat. No. Des. 784,834.
- (51) **LOC (10) Cl.** **10-04**
- (52) **U.S. Cl.**
USPC **D10/99**
- (58) **Field of Classification Search**
USPC D10/46, 75, 78-80, 106.1-106.9, 116.1, D10/118, 118.1, 118.2, 119.1, 121, 125, D10/126, 132; D8/401; D14/155, 159, D14/172, 188, 204, 209, 217, 219, 230; D13/123, 133, 146-149, 153, 154, 156, D13/158, 183; D26/24, 51, 61, 63, 65, D26/72, 80
CPC G08B 15/00; G08B 17/06; G08B 17/10; G08B 17/103; G08B 17/107; G08B 21/12; G08B 21/22; H04M 11/02; H04M 11/025; H04N 7/186

See application file for complete search history.

(56) **References Cited**

U.S. PATENT DOCUMENTS

1,932,044	A *	10/1933	Mylius	G01R 11/04 220/293
2,030,094	A *	2/1936	Bradshaw	G01R 11/04 361/666
2,313,881	A *	3/1943	Lewis	G01R 11/04 220/302
2,461,247	A *	2/1949	Wormull	B65D 39/12 215/292
D213,466	S *	3/1969	Moran et al.	D10/100
D343,803	S *	2/1994	Ouellette	D10/100
D348,017	S *	6/1994	Poleshuk	D10/96
D354,113	S *	1/1995	Nortier	D23/233
D381,281	S *	7/1997	Miller	D10/100
D412,859	S *	8/1999	Thiel	D10/103

(Continued)

Primary Examiner — George D Kirschbaum

Assistant Examiner — Joseph Kukella

(74) *Attorney, Agent, or Firm* — Peter T. DiMauro; GE Global Patent Operation

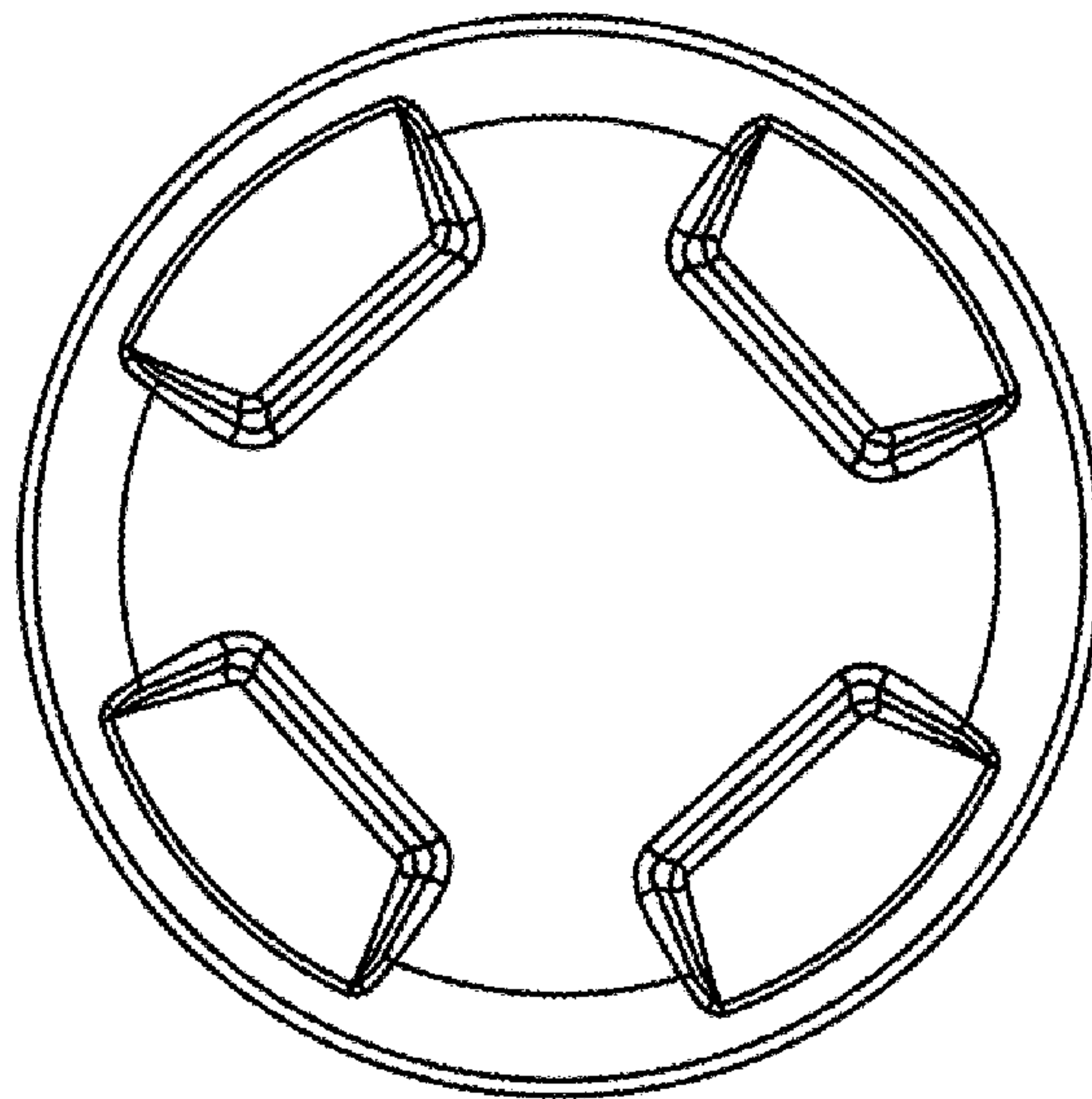
(57) **CLAIM**

The ornamental design for a cover for photosensor and electric meter, as shown and described.

DESCRIPTION

FIG. 1 is a top view of the cover according to an embodiment of the new design;
 FIG. 2 is a front elevational view thereof;
 FIG. 3 is a left side elevational view thereof;
 FIG. 4 is a right side elevational view thereof;
 FIG. 5 is a back elevational view thereof;
 FIG. 6 is a bottom view thereof; and,
 FIG. 7 is a perspective view thereof.
 In the drawings, the broken lines depict environmental subject matter only and form no part of the claimed design.

1 Claim, 2 Drawing Sheets



(56)

References Cited

U.S. PATENT DOCUMENTS

D429,655 S * 8/2000 Cowan D10/103
6,688,327 B1 * 2/2004 Baker F16K 27/12
137/375
D596,570 S * 7/2009 Spivey D13/133
7,821,776 B2 * 10/2010 Loy G01R 11/24
174/66

* cited by examiner

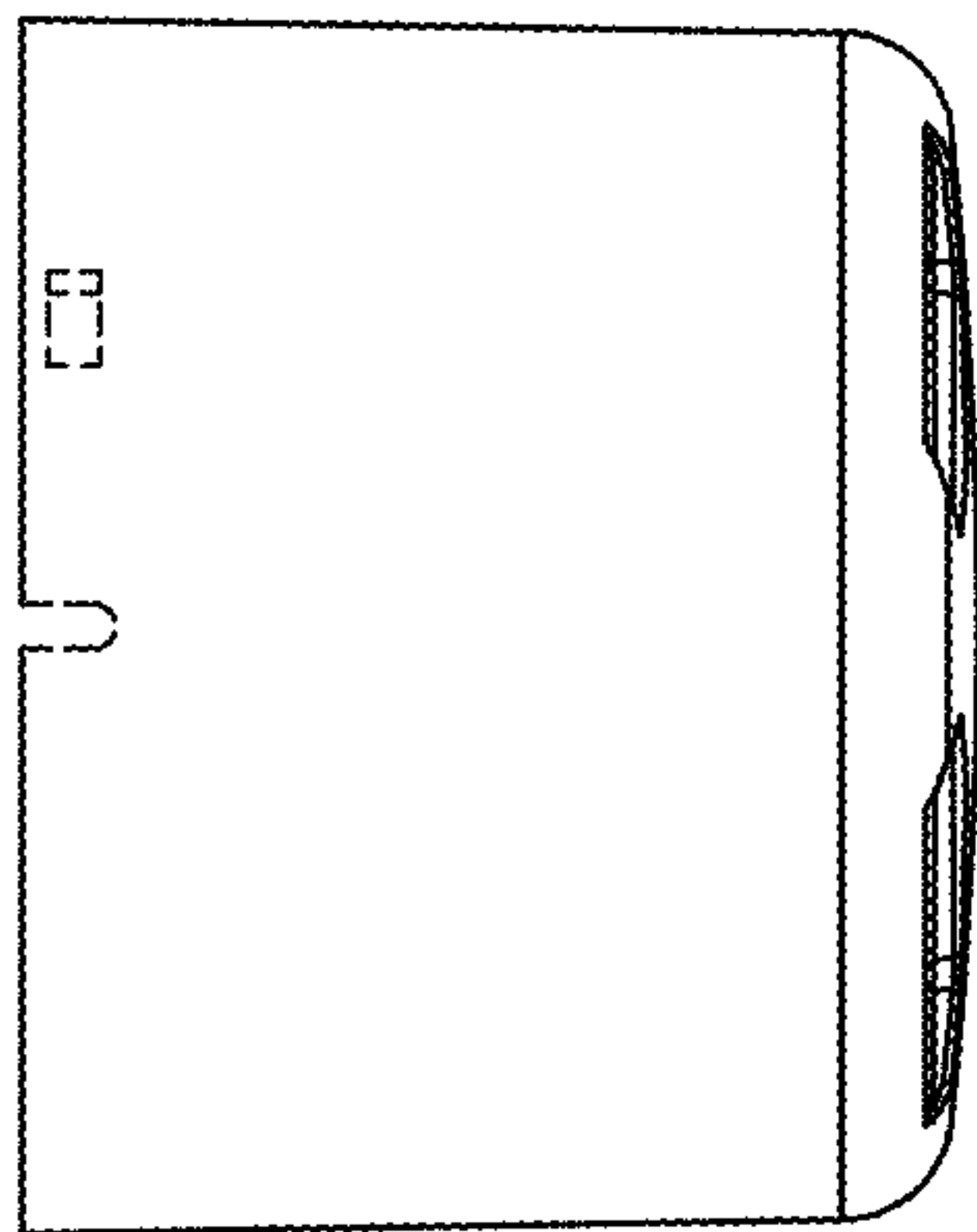


FIG. 3

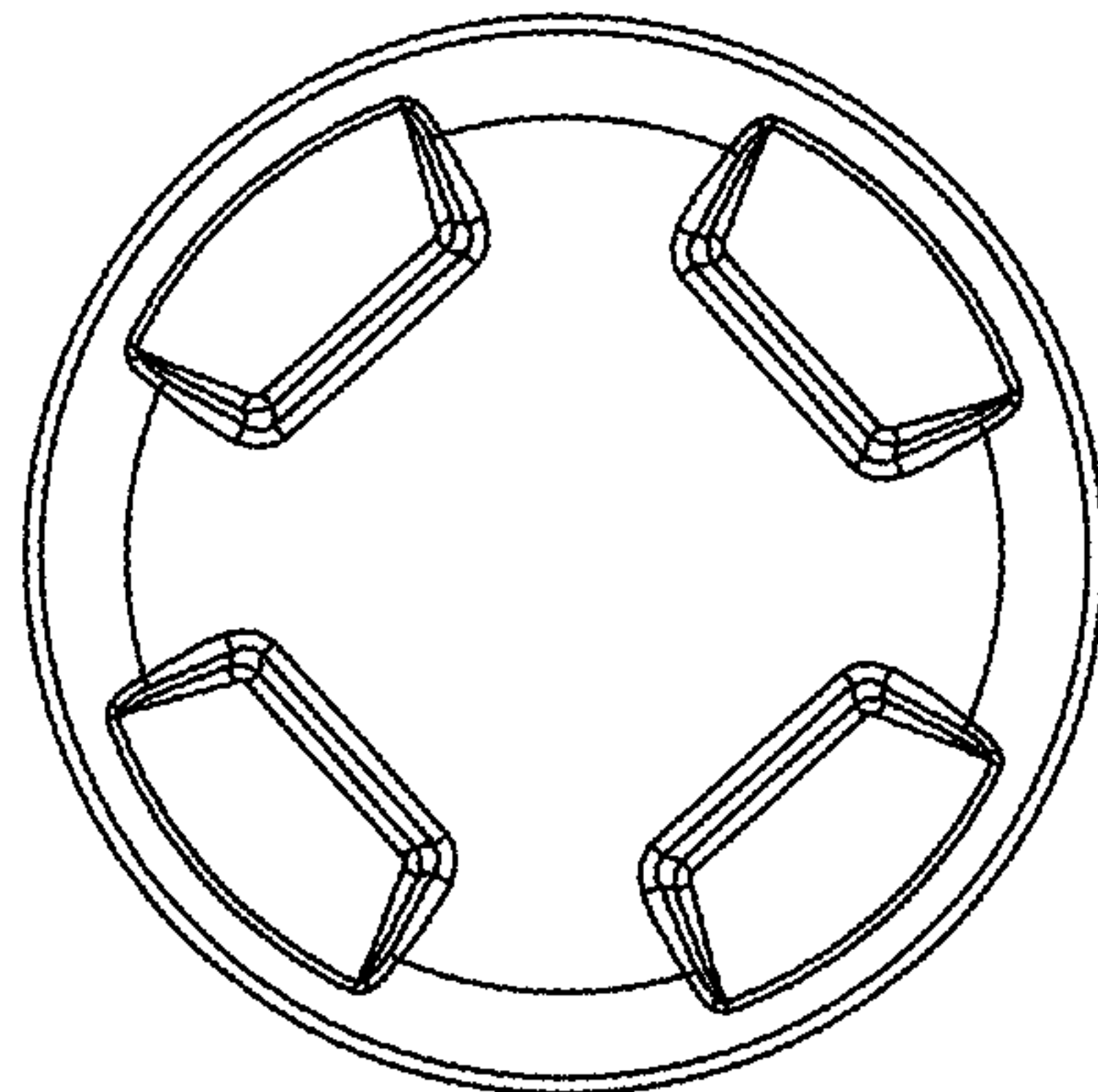


FIG. 1



FIG. 4

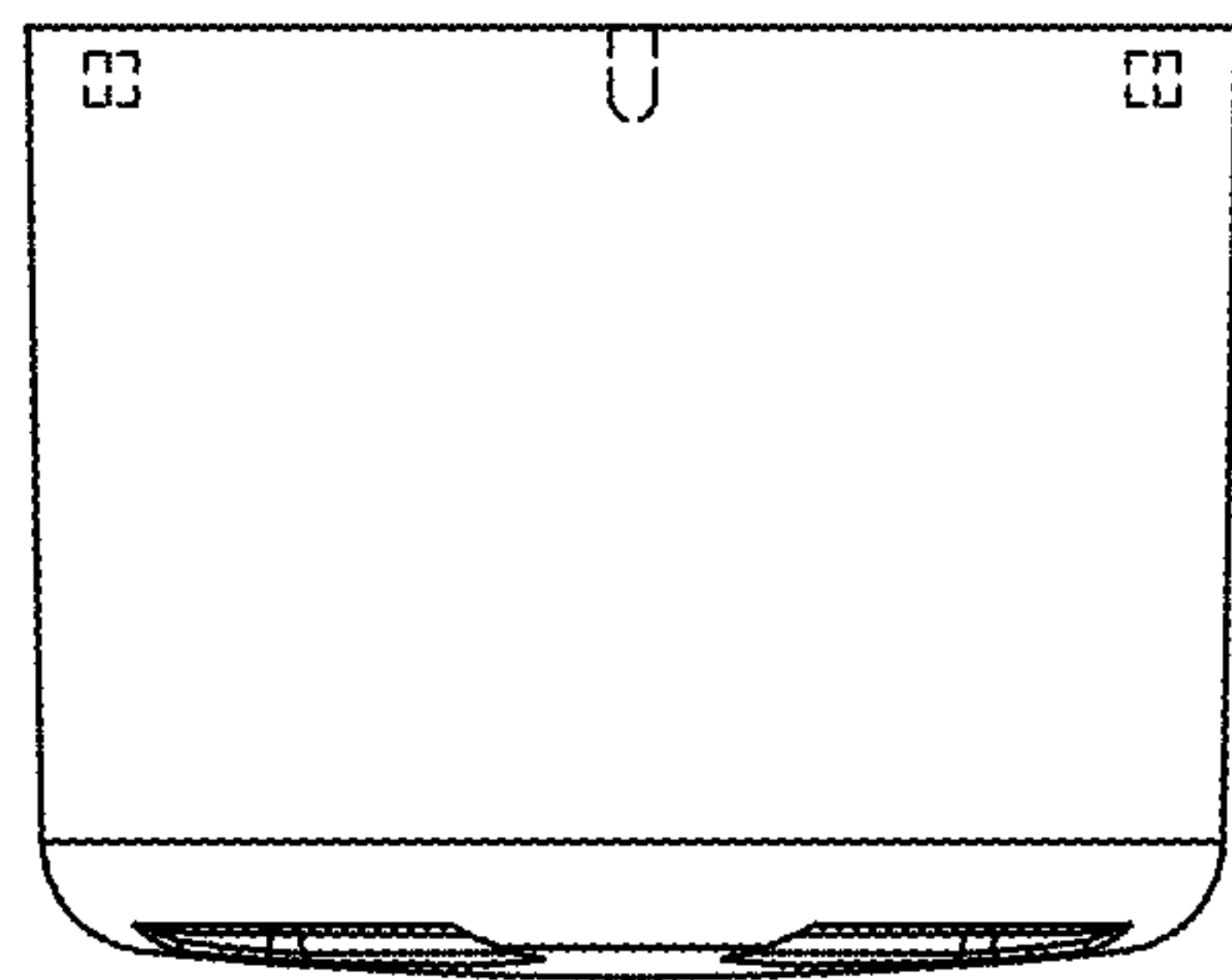


FIG. 5

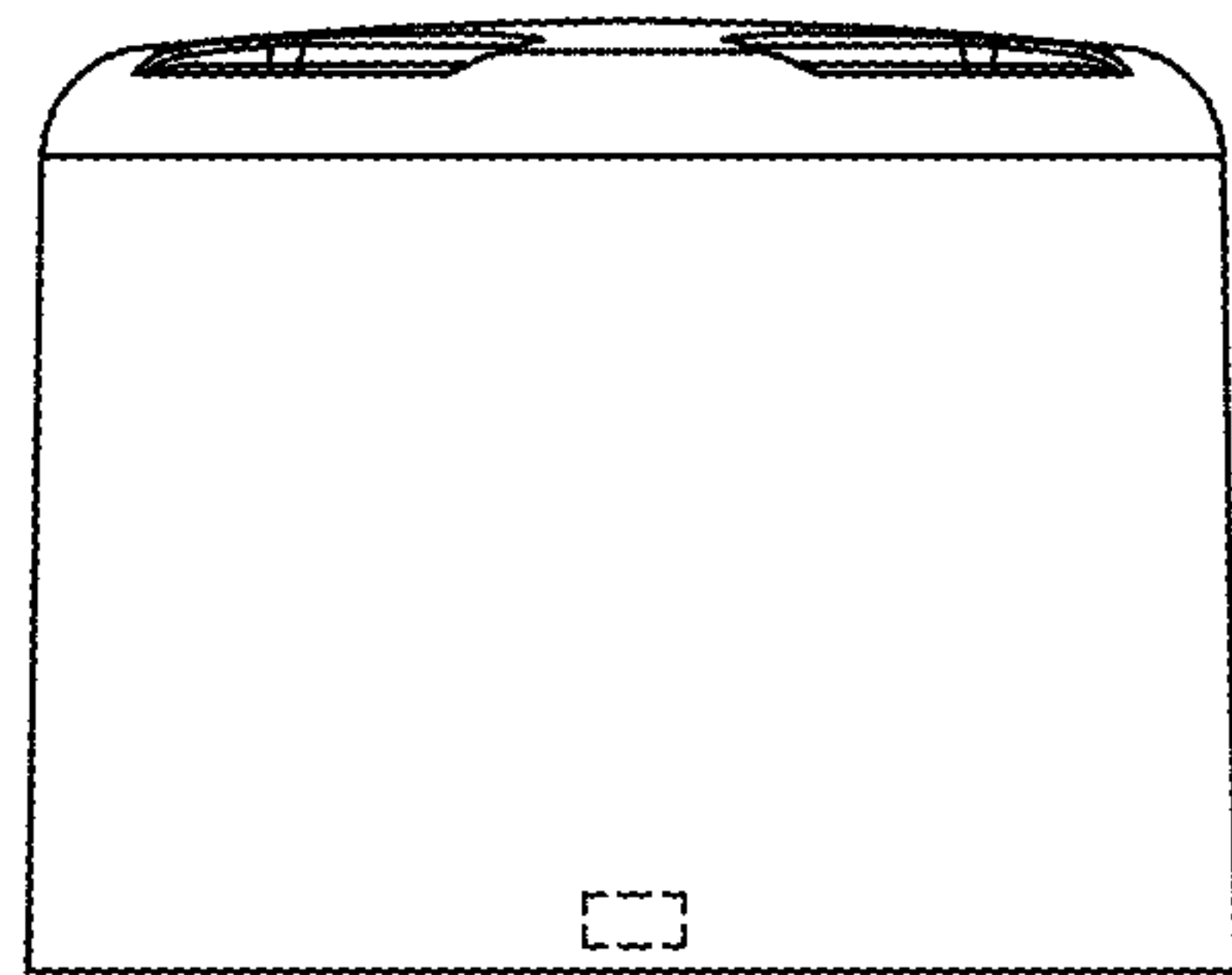


FIG. 2

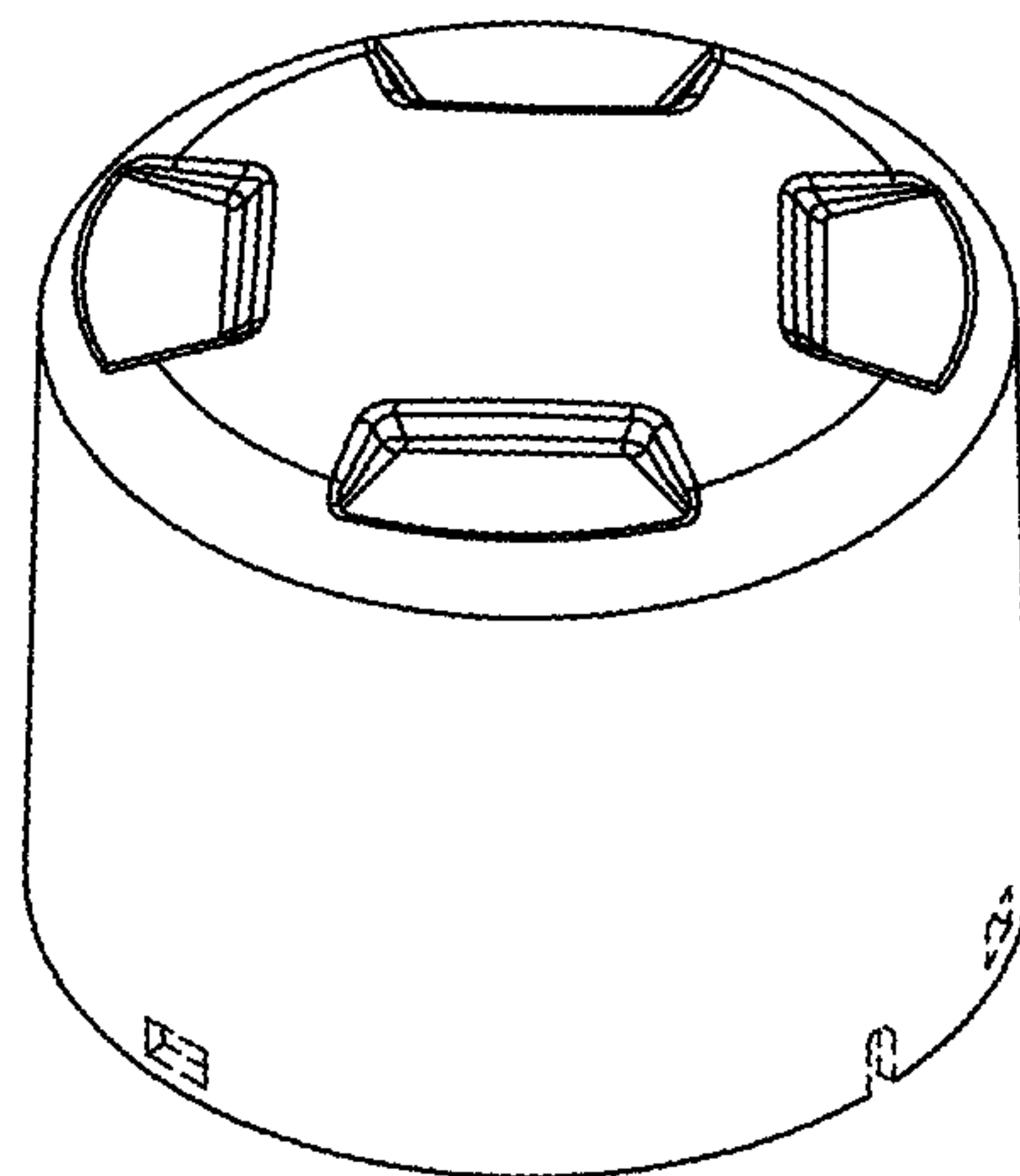
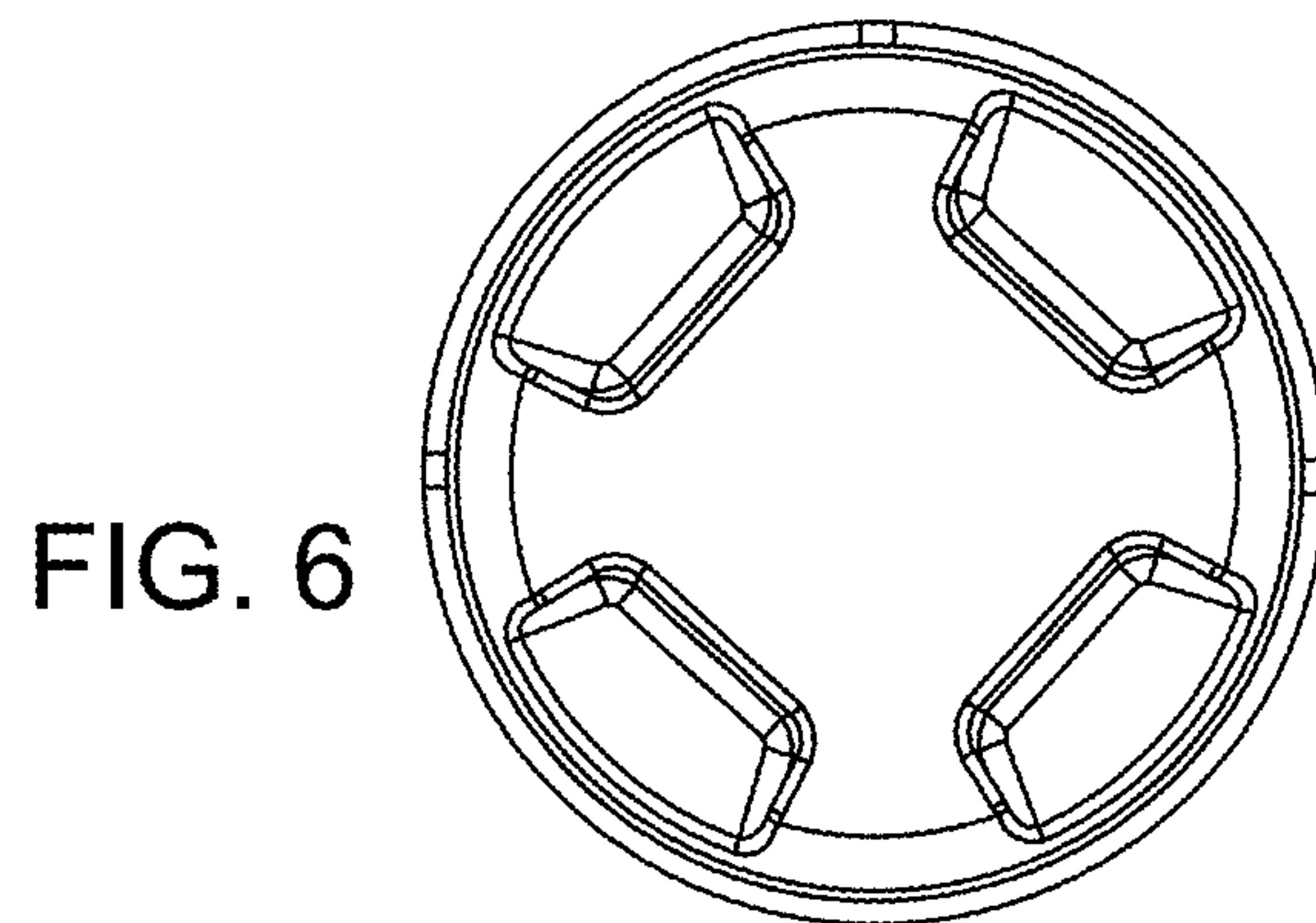


FIG. 7