



US00D802460S

(12) **United States Design Patent** (10) **Patent No.:** **US D802,460 S**  
**Nguyen et al.** (45) **Date of Patent:** **\*\* Nov. 14, 2017**

(54) **SMART WATER METER**

CPC ... G01F 1/662; G01F 1/40; G01F 1/42; G01F 1/44; G01F 1/46; G01F 1/06; G01F 1/07; G01F 1/10; G01F 3/02; G01F 3/12; G01F 15/063; G01F 15/06; G01F 15/14; G01F 15/18; Y10T 137/0413; Y10T 137/2224; Y10T 137/6851; Y10T 137/6966

See application file for complete search history.

(71) Applicant: **RYNAN TECHNOLOGIES PTE LTD.**, Singapore (SG)

(72) Inventors: **My T. Nguyen**, Travin (VN); **Luong V. Truong**, Chau Tranh District (VN); **Cuong Q. Hong**, Travin (VN); **Anh T. Duong**, Phu Quoc Island (VN); **Hien H. Nguyen**, Long My District (VN); **An Trinh**, Travin (VN); **Trieu T. Le**, Hon Dat District (VN); **Thong A. Nguyen**, Travin (VN); **Khang M. Duong**, Can Tho (VN)

(56) **References Cited**

U.S. PATENT DOCUMENTS

D348,018 S \* 6/1994 Poleshuk ..... D10/99

\* cited by examiner

*Primary Examiner* — Antoine D Davis

(74) *Attorney, Agent, or Firm* — Altera Law Group, LLC

(73) Assignee: **RYNAN TECHNOLOGIES PTE LTD.**, Singapore (SG)

(\*\*) Term: **15 Years**

(57) **CLAIM**

(21) Appl. No.: **29/564,029**

The ornamental design for a smart water meter, as shown and described.

(22) Filed: **May 10, 2016**

(30) **Foreign Application Priority Data**

**DESCRIPTION**

Nov. 12, 2015 (CA) ..... 165253  
Nov. 12, 2015 (CA) ..... 165254  
Nov. 12, 2015 (CA) ..... 165255

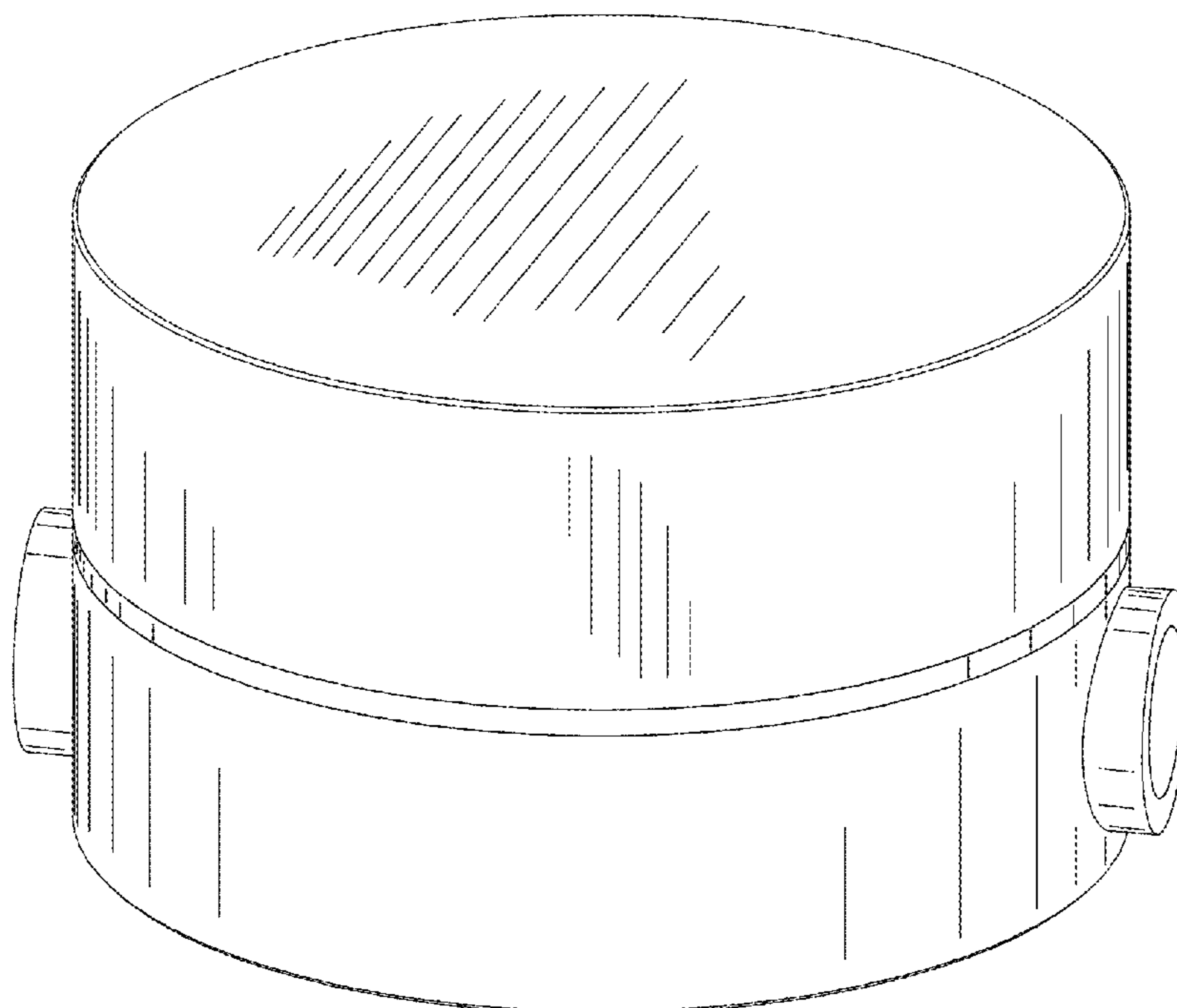
FIG. 1 is a perspective view of the smart water meter.  
FIG. 2 is a front view thereof.  
FIG. 3 is a back view thereof.  
FIG. 4 is a top view thereof.  
FIG. 5 is a bottom view thereof.  
FIG. 6 is a left side view thereof; and,  
FIG. 7 is a right side view thereof.

(51) **LOC (10) Cl.** ..... **10-04**

(52) **U.S. Cl.**  
USPC ..... **D10/99**

(58) **Field of Classification Search**  
USPC ..... D10/99

**1 Claim, 7 Drawing Sheets**



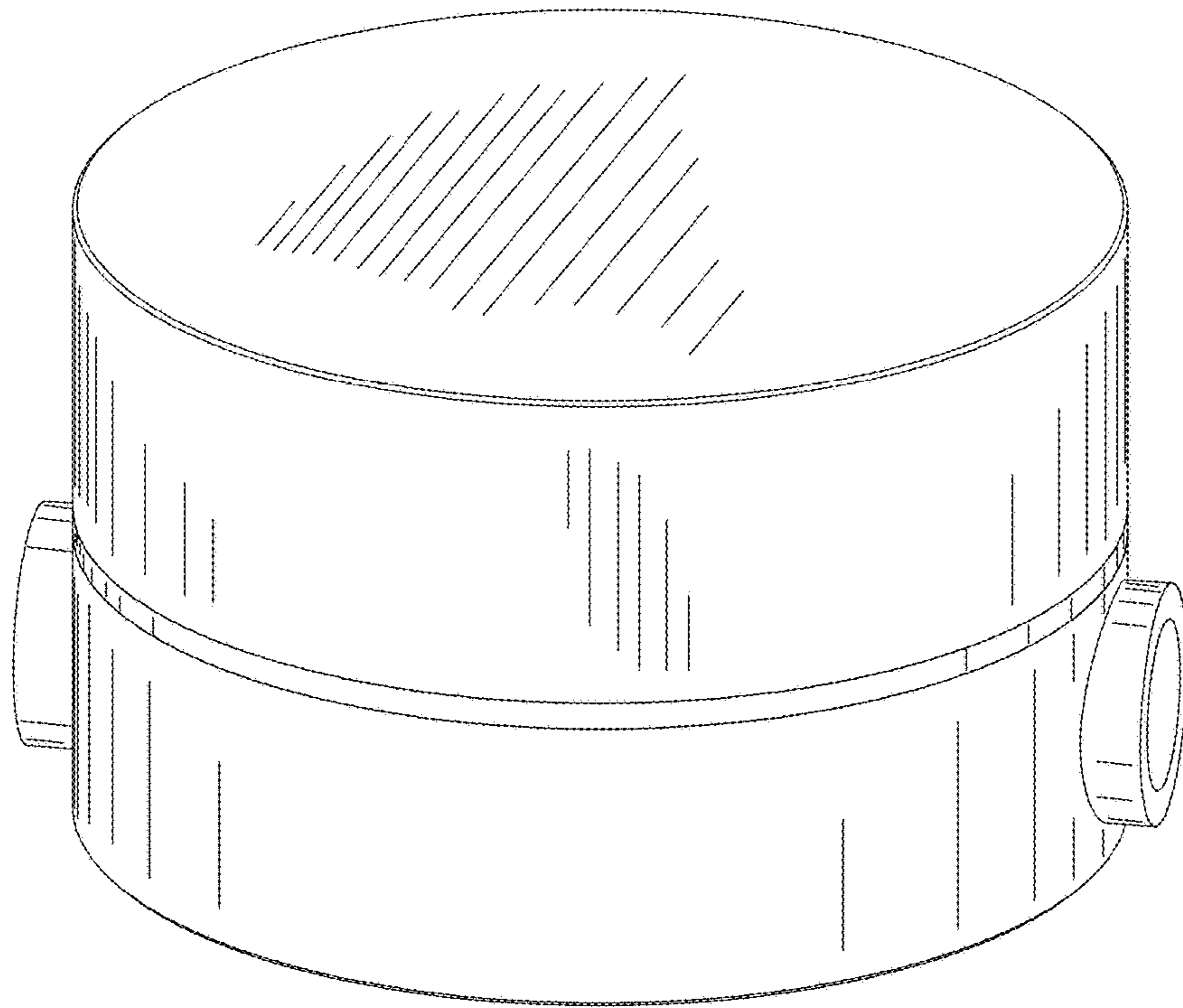


Fig. 1

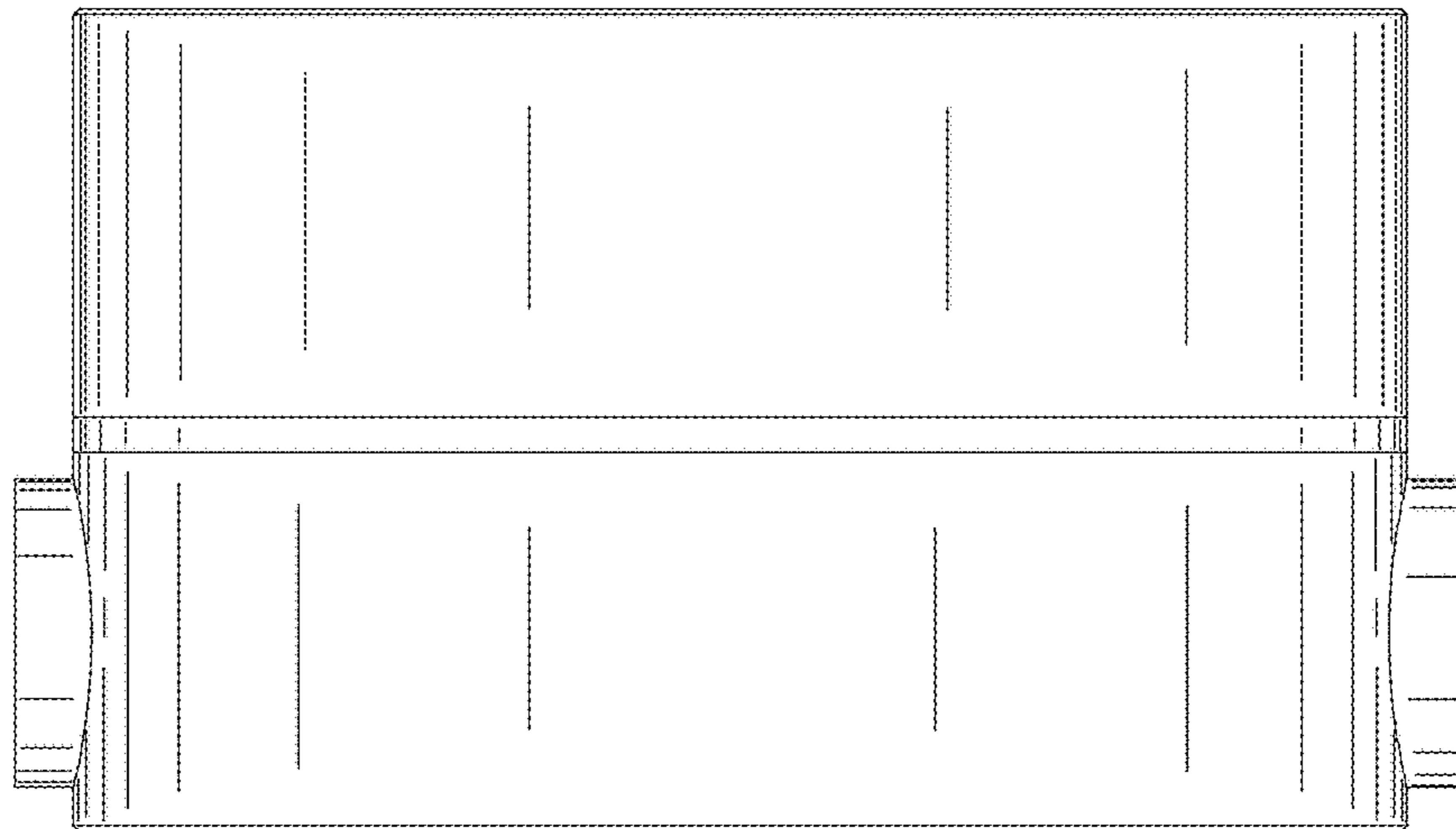


Fig. 2

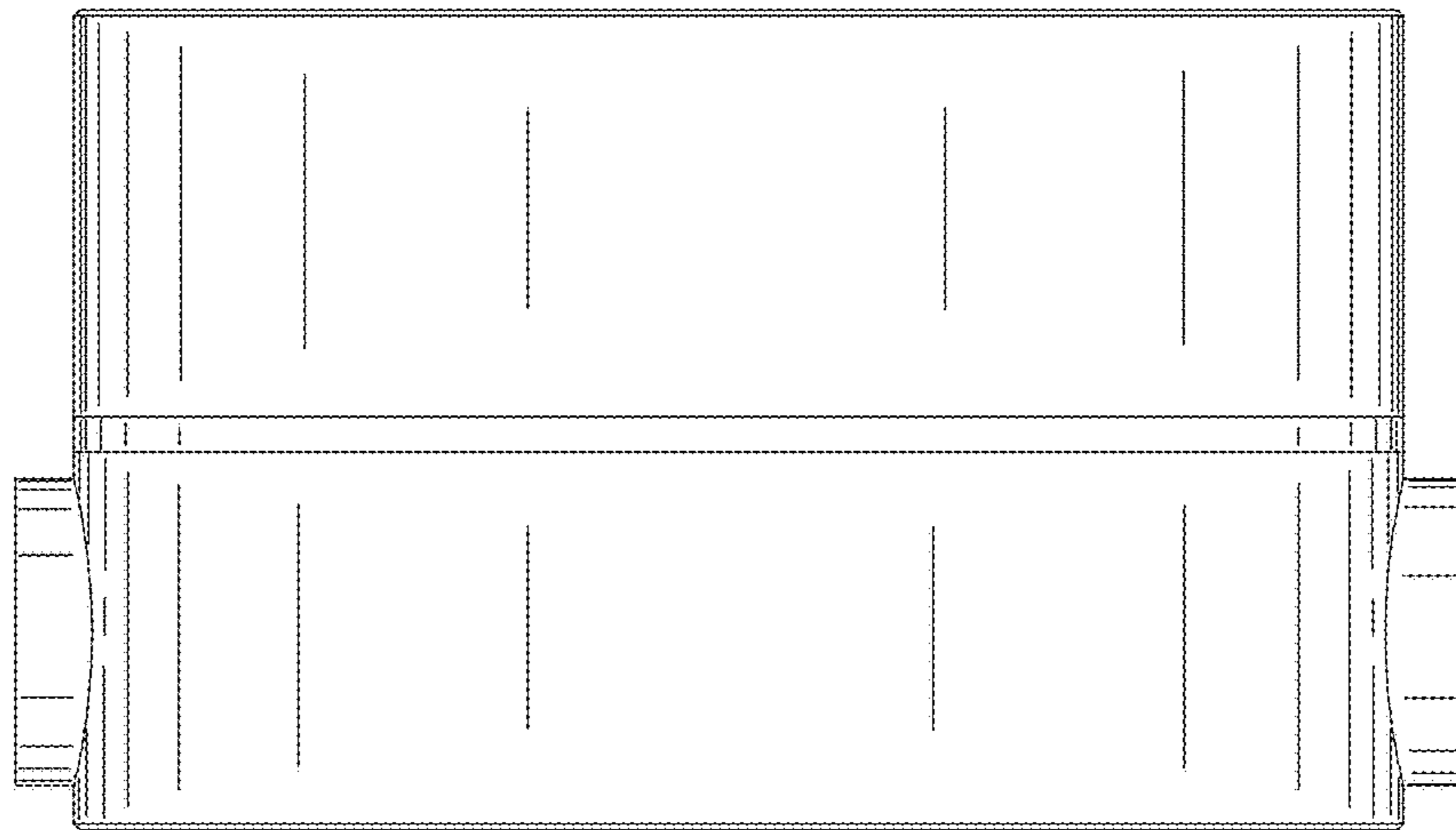
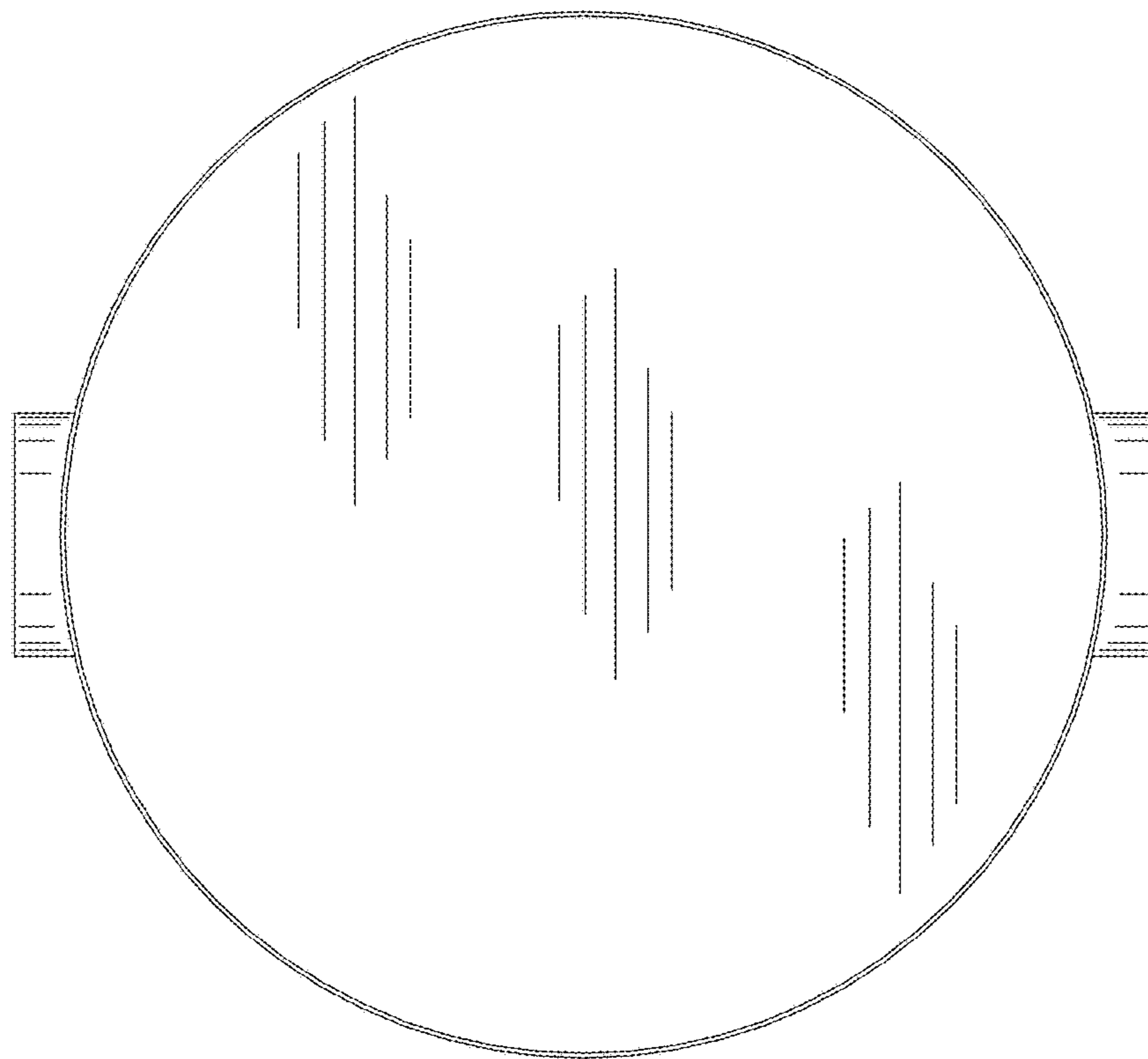
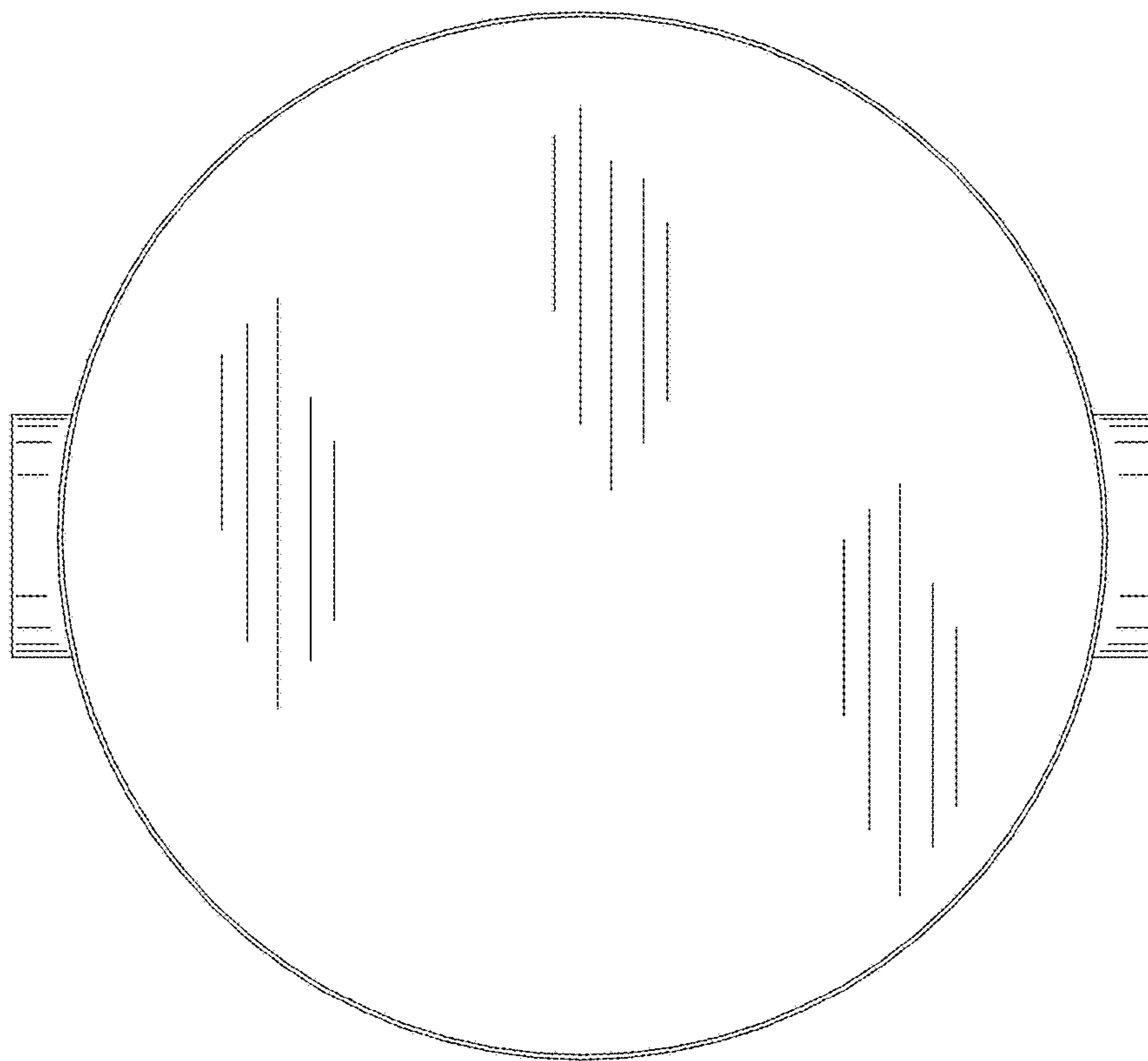


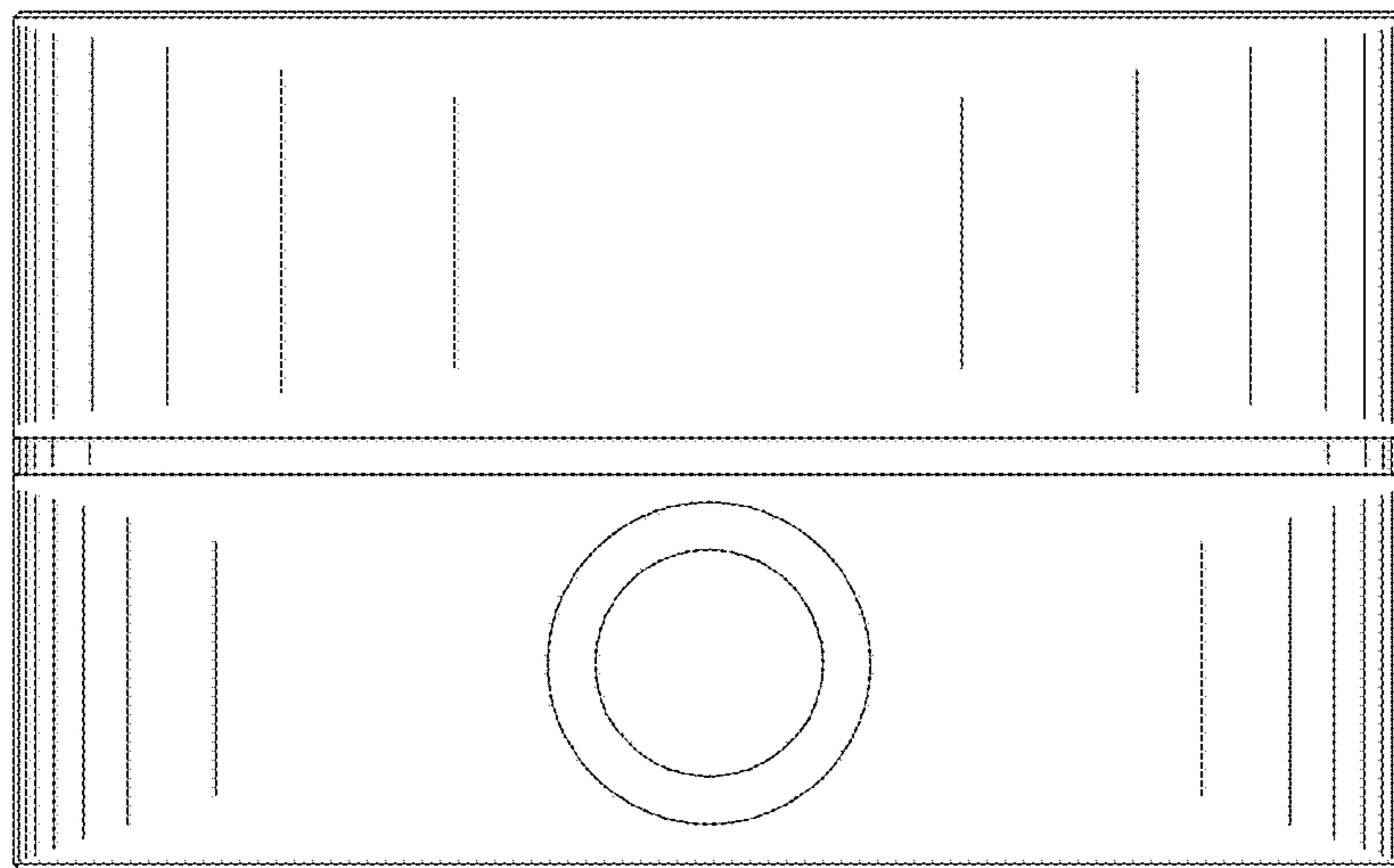
Fig. 3



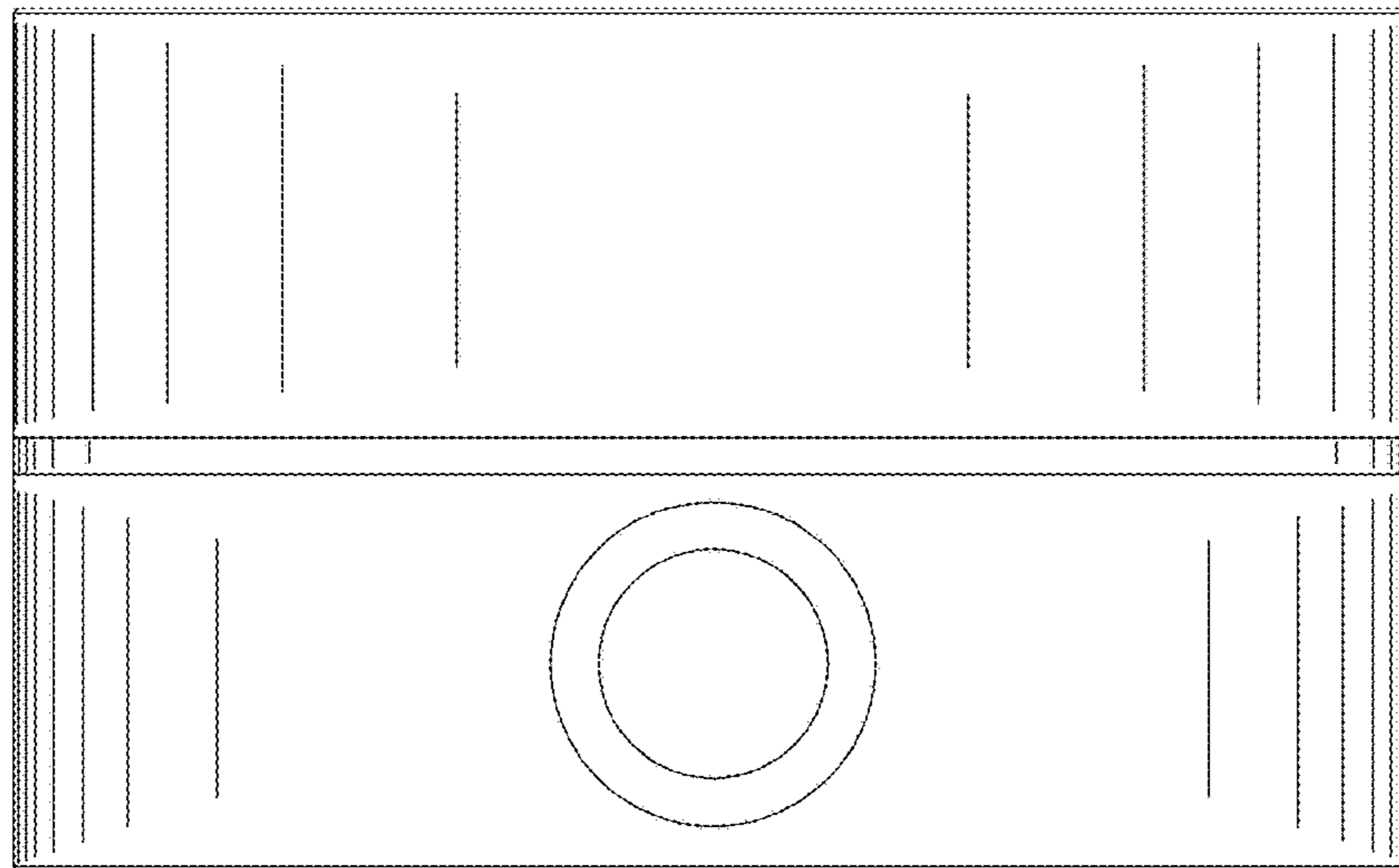
**Fig. 4**



**Fig. 5**



**Fig. 6**



**Fig. 7**