



US00D802458S

(12) **United States Design Patent**
Lorenzen

(10) **Patent No.:** **US D802,458 S**

(45) **Date of Patent:** **** Nov. 14, 2017**

(54) **SCALE**

(71) Applicant: **FRANCOTYP POSTALIA GMBH,**
Berlin (DE)

(72) Inventor: **Matthias Lorenzen,** Berlin (DE)

(73) Assignee: **Francotyp-Postalia GmbH,** Berlin
(DE)

(**) Term: **15 Years**

(21) Appl. No.: **29/564,383**

(22) Filed: **May 12, 2016**

(30) **Foreign Application Priority Data**

Dec. 1, 2015 (EM) 1443386-0001
Dec. 1, 2015 (EM) 1443386-0002

(51) **LOC (10) Cl.** **10-04**

(52) **U.S. Cl.**
USPC **D10/91**

(58) **Field of Classification Search**

USPC D10/91
CPC G01G 1/18; G01G 1/185; G01G 1/20;
G01G 1/22; G01G 1/24; G01G 1/243;
G01G 1/246; G01G 1/26; G01G 1/28;
G01G 1/29; G01G 1/30; G01G 1/32;
G01G 1/34; G01G 1/36; G01G 1/38;
G01G 1/40; G01G 1/42

See application file for complete search history.

(56) **References Cited**

U.S. PATENT DOCUMENTS

D256,343 S * 8/1980 Gard D10/91
4,219,089 A * 8/1980 Gard G01G 3/1406
177/128

D289,744 S * 5/1987 Bungener D10/91
D305,103 S * 12/1989 Kennedy D10/91
D506,941 S * 7/2005 Leisinger D10/91
D655,213 S * 3/2012 Pan D10/91
D727,766 S * 4/2015 Wu D10/91

* cited by examiner

Primary Examiner — Antoine D Davis

(74) *Attorney, Agent, or Firm* — Laurence A. Greenberg;
Werner H. Stemer; Ralph E. Locher

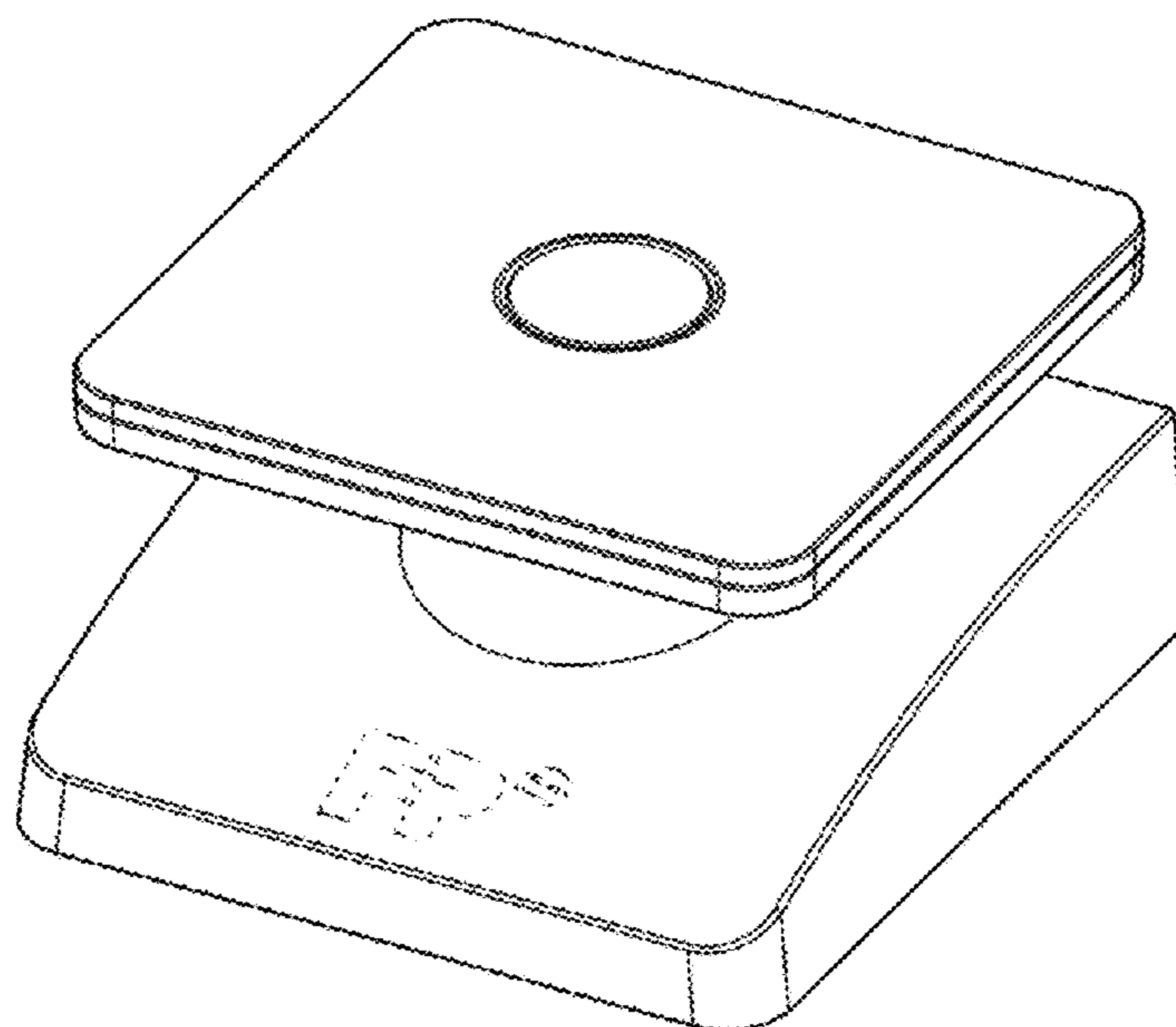
(57) **CLAIM**

The ornamental design for a scale, as shown and described.

DESCRIPTION

FIG. 1 is a front perspective view of the scale showing my new invention;
FIG. 2 is a top plan view thereof;
FIG. 3 is a right side elevation view thereof;
FIG. 4 is a left side elevation view thereof;
FIG. 5 is a front elevation view thereof;
FIG. 6 is a rear elevation view thereof;
FIG. 7 is a front perspective view of a slightly modified embodiment of the scale showing my new invention;
FIG. 8 is a top plan view thereof;
FIG. 9 is a right side elevation view thereof;
FIG. 10 is a left side elevation view thereof;
FIG. 11 is a front elevation view thereof; and,
FIG. 12 is a rear elevation view thereof.
The broken line showing of structural features is included for the purpose of illustrating non-claimed subject matter and forms no part of the claimed design.

1 Claim, 6 Drawing Sheets



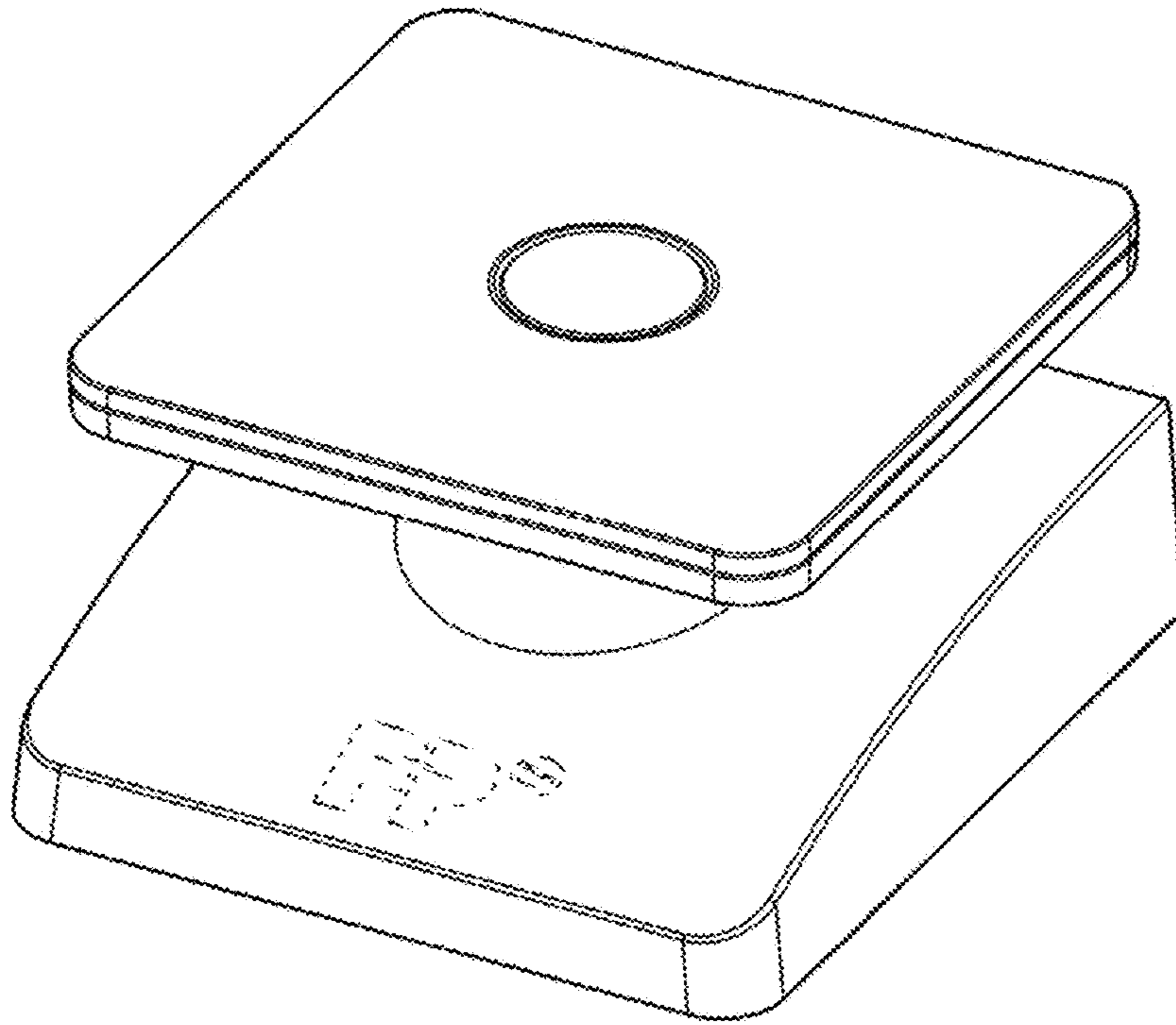


FIG. 1

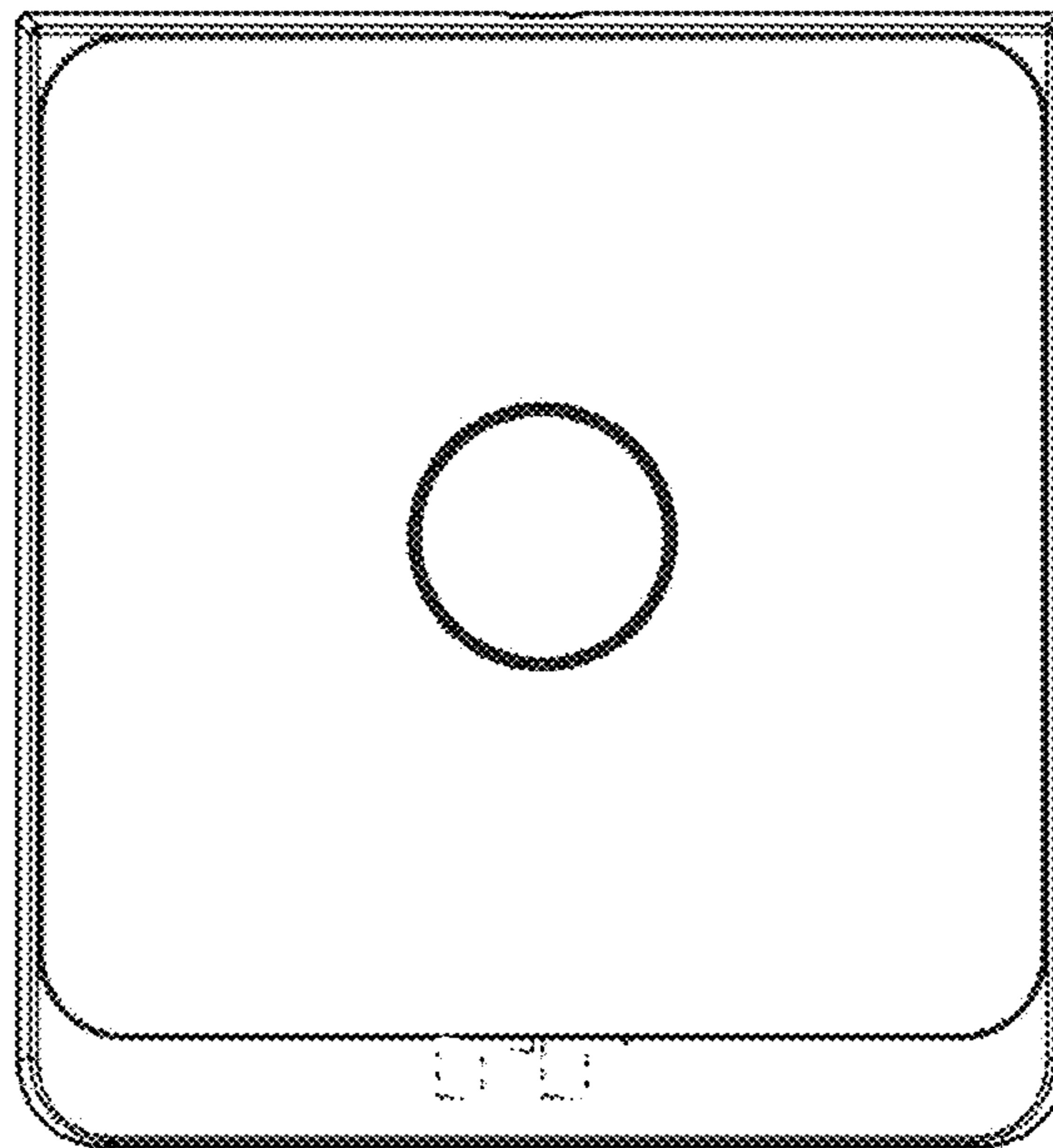


FIG. 2

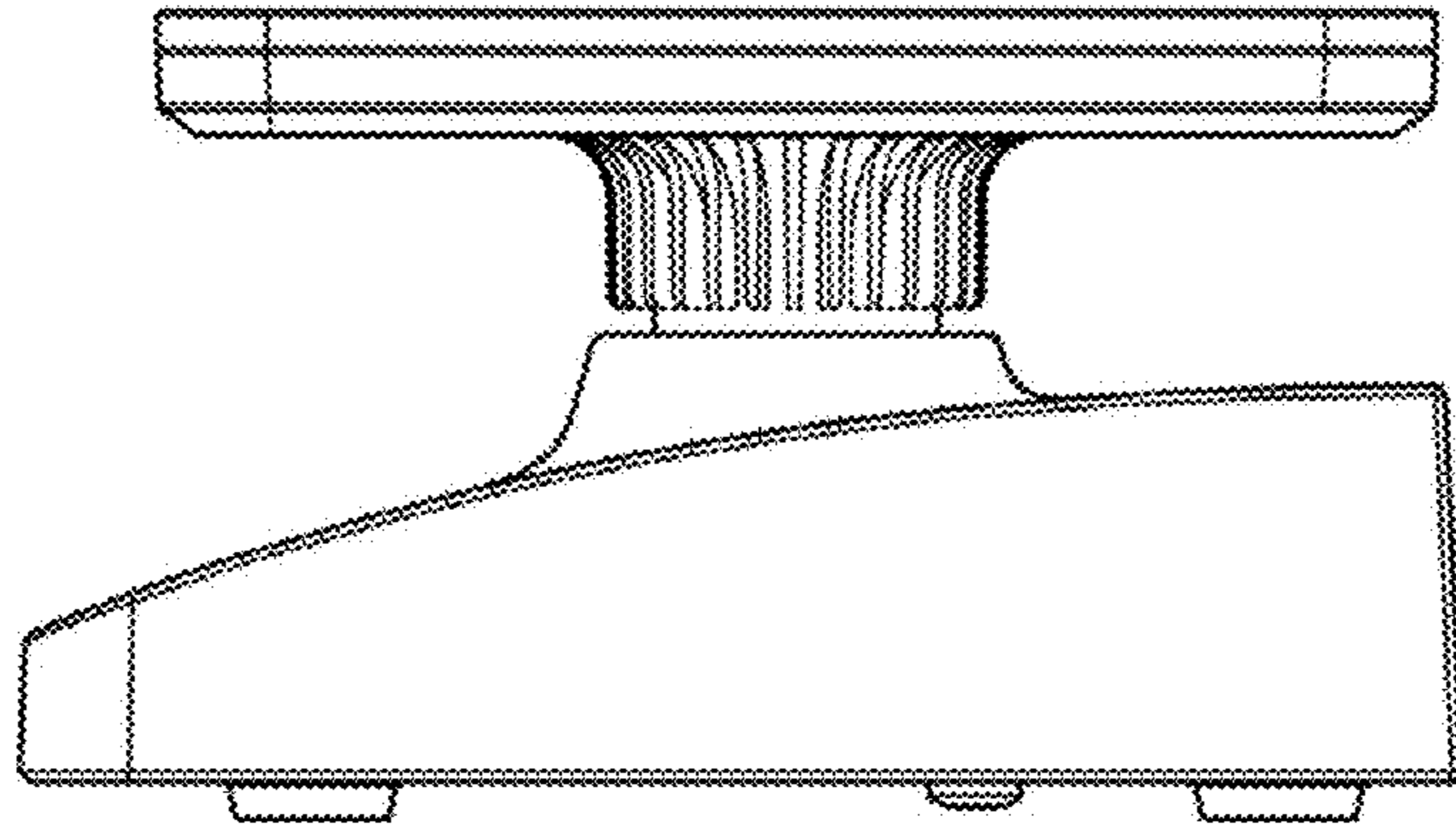


FIG. 3

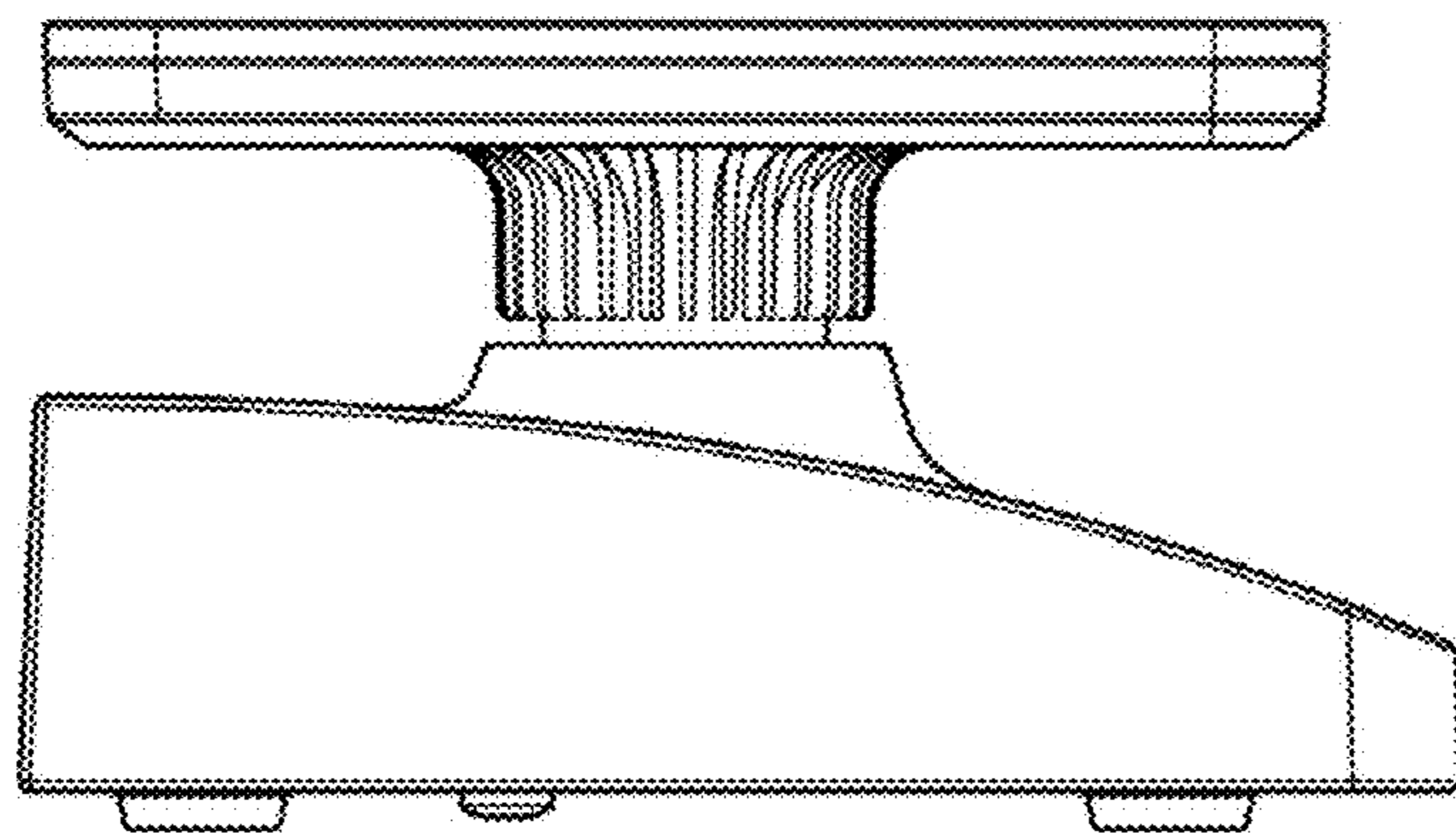


FIG. 4

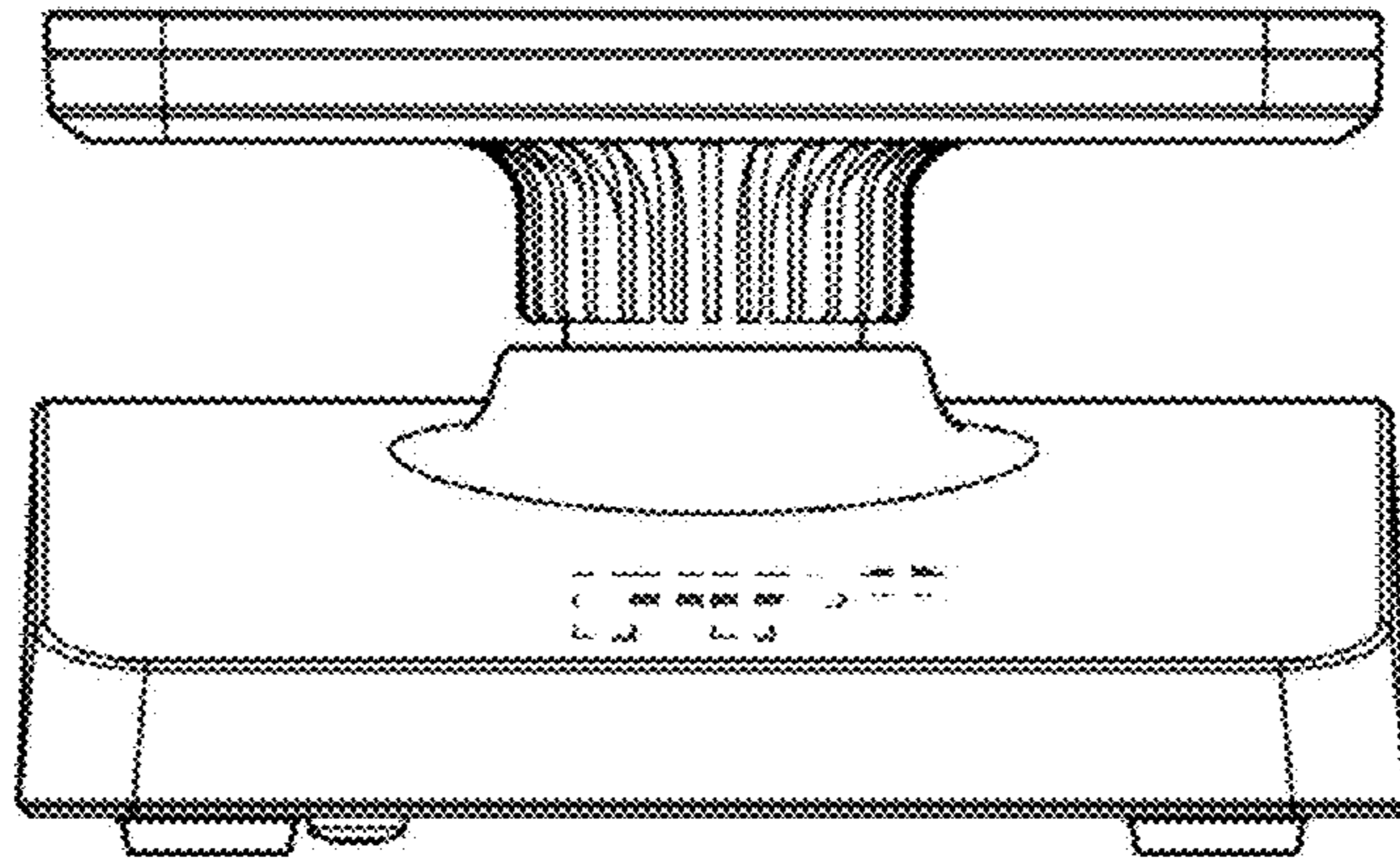


FIG. 5

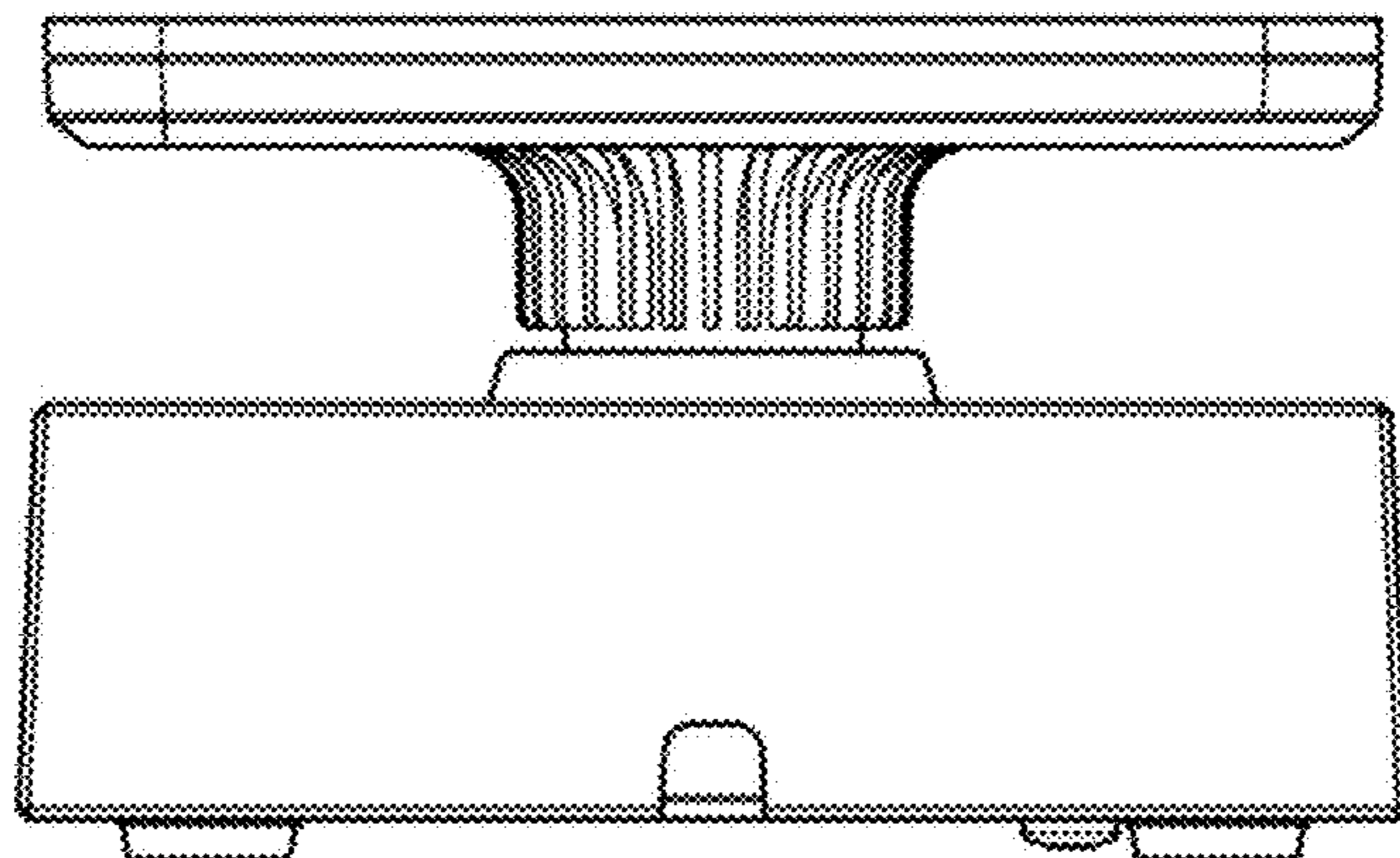


FIG. 6

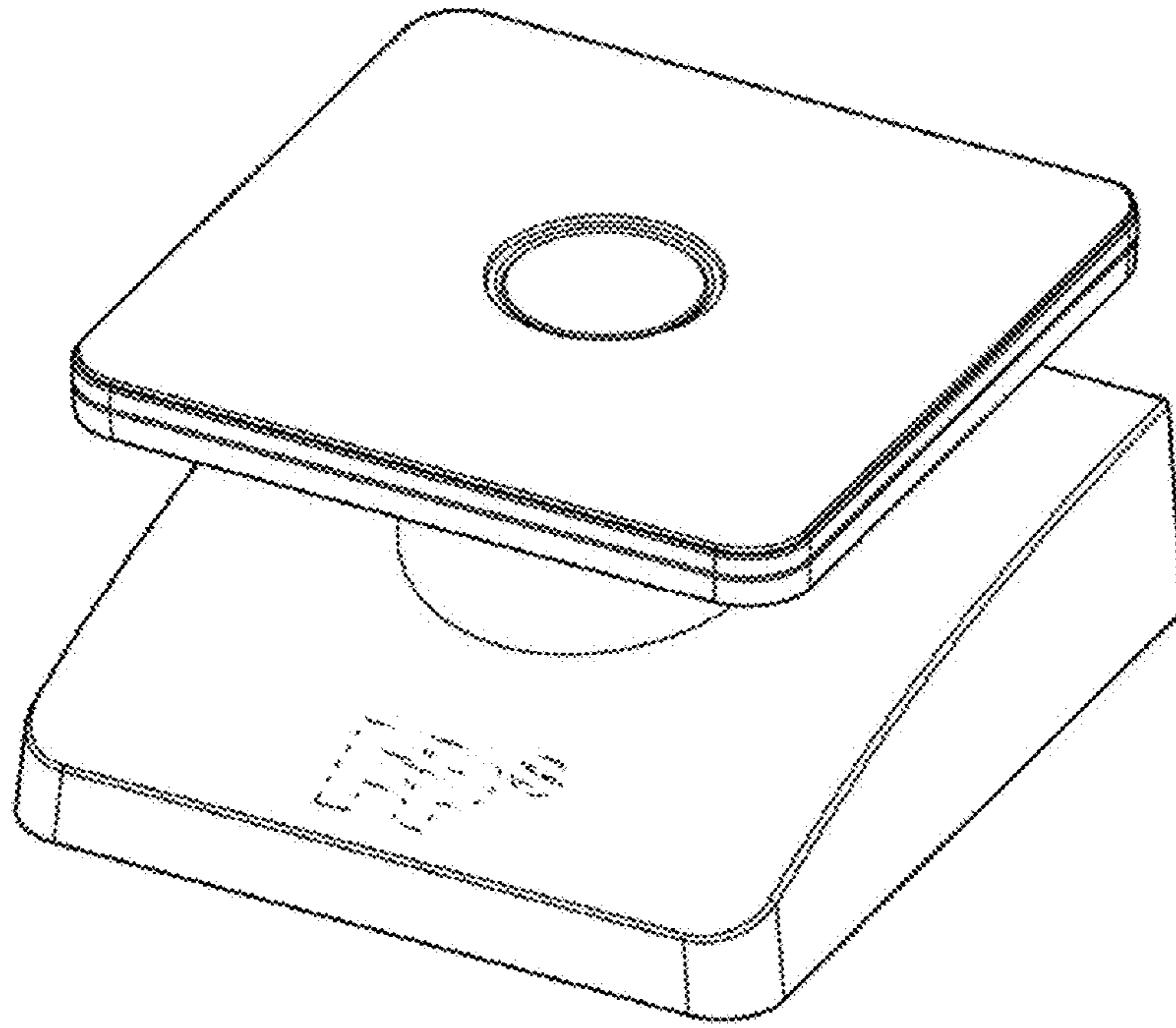


FIG. 7

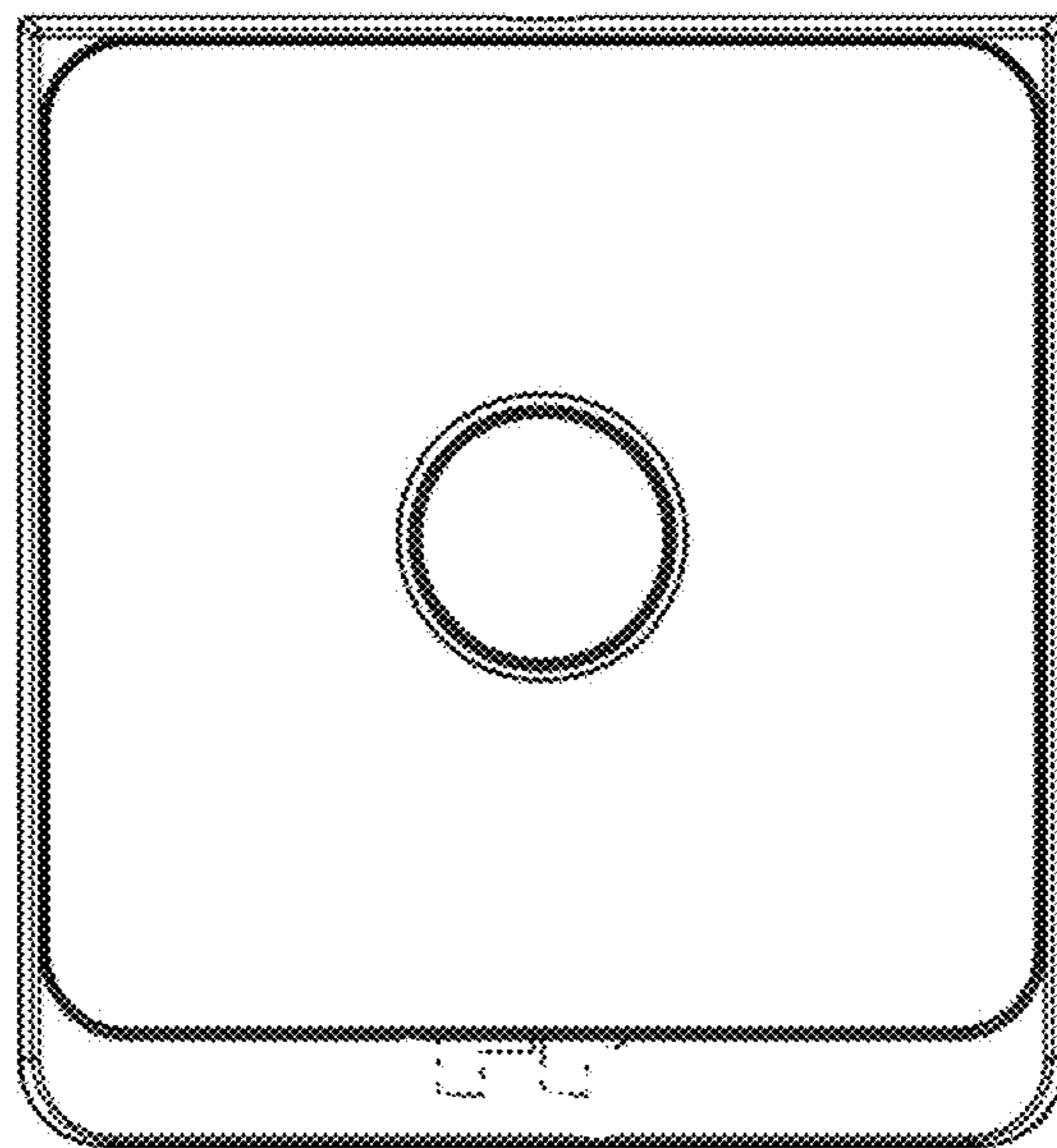


FIG. 8

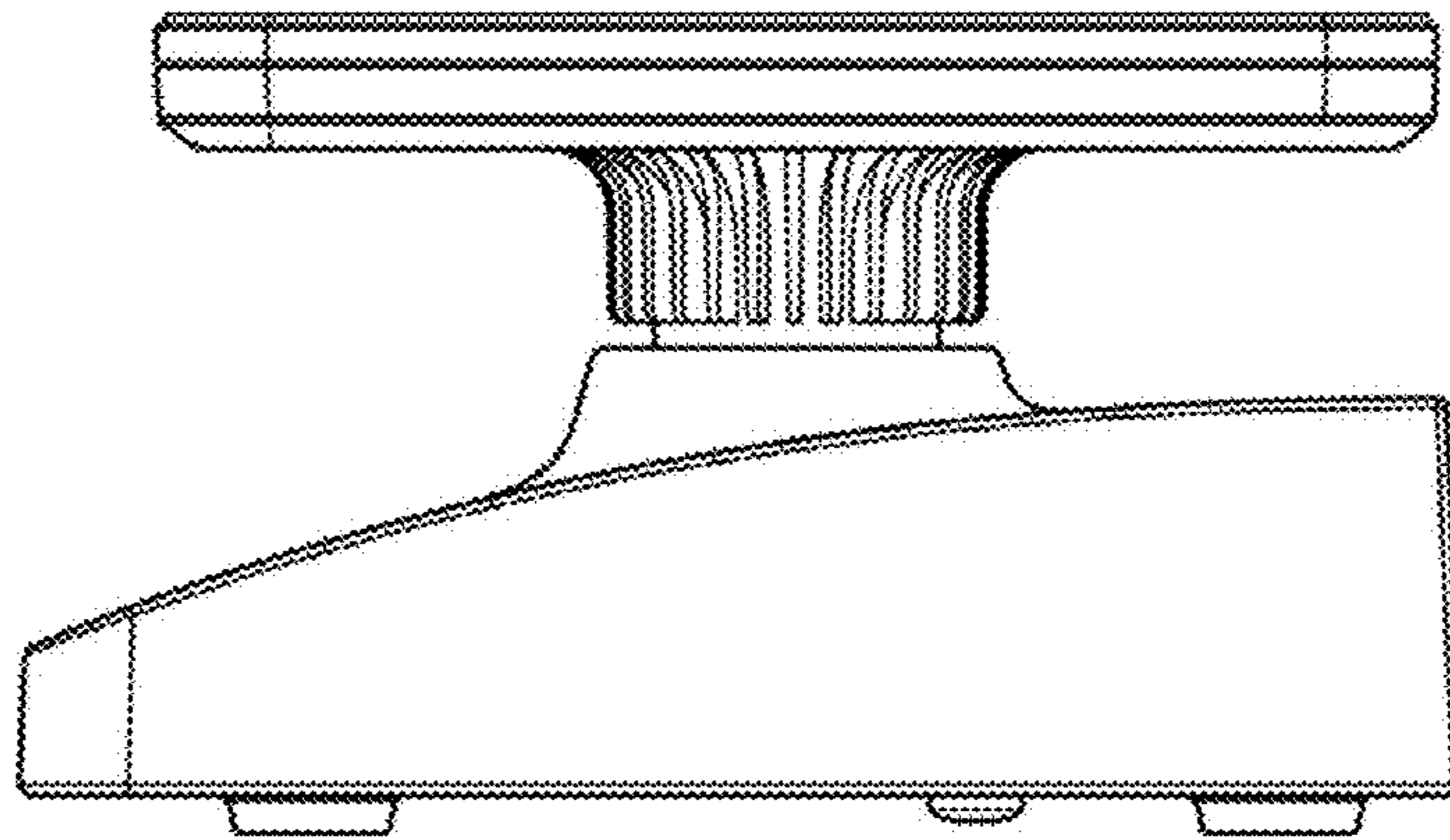


FIG. 9

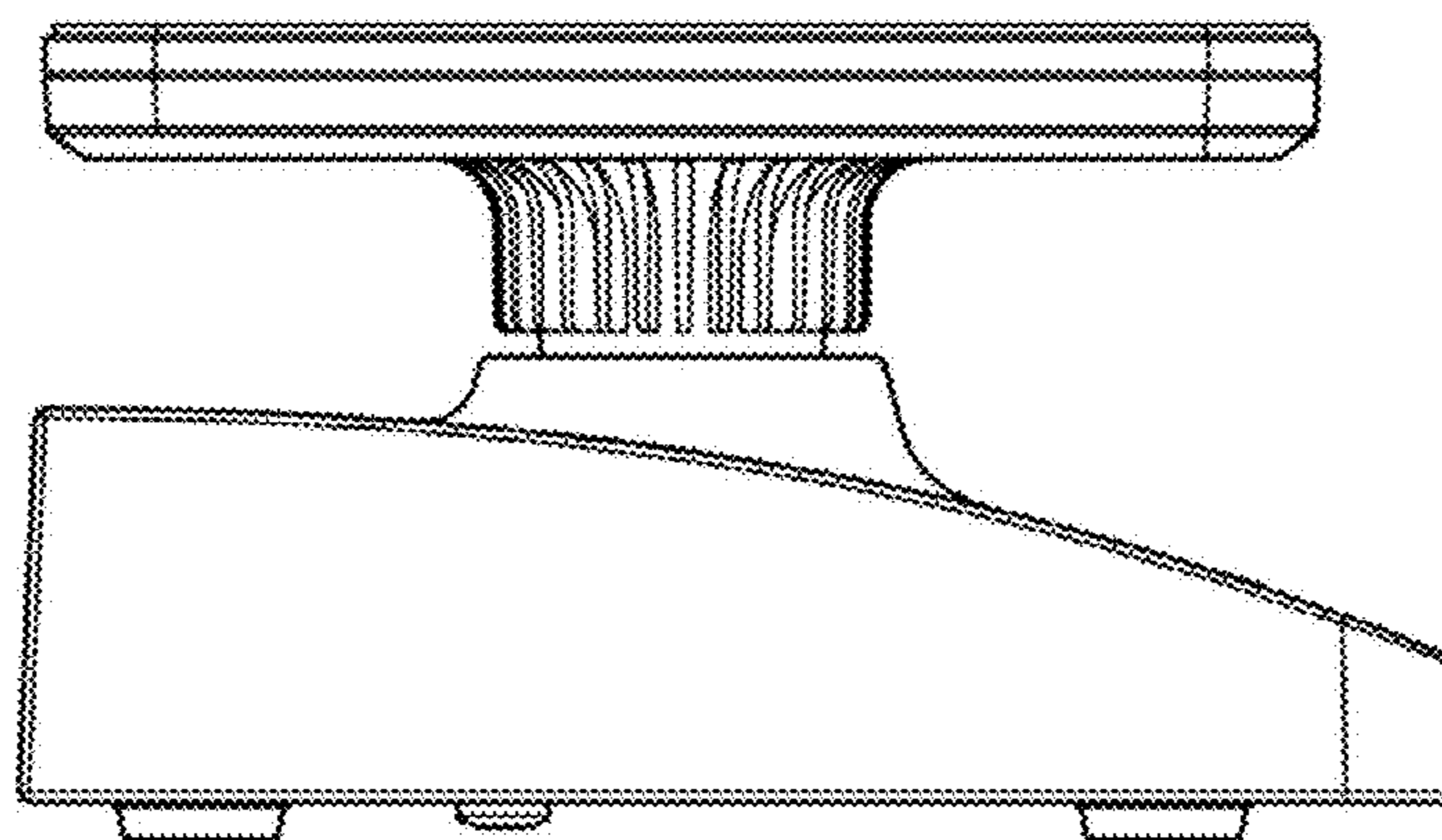


FIG. 10

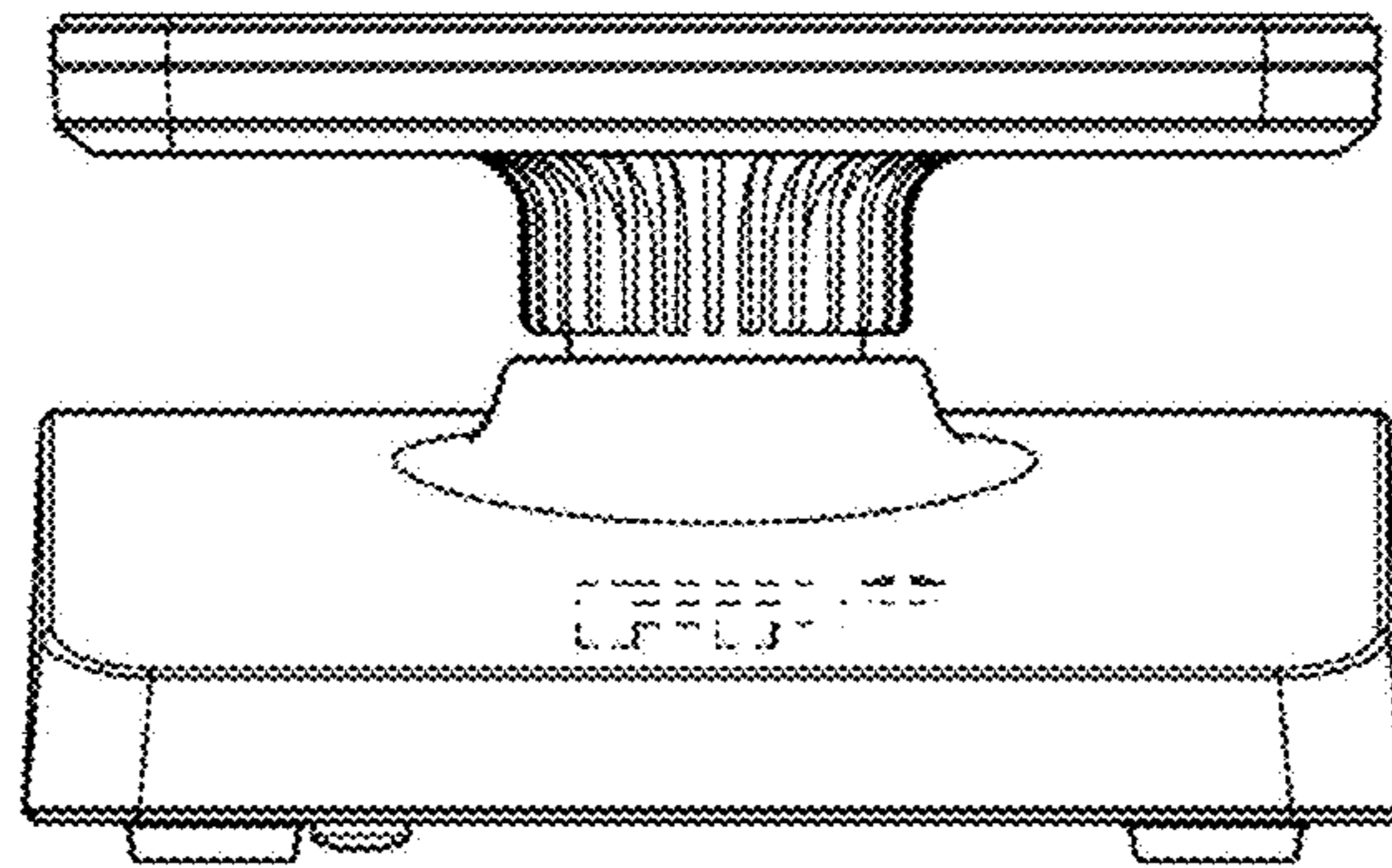


FIG. 11

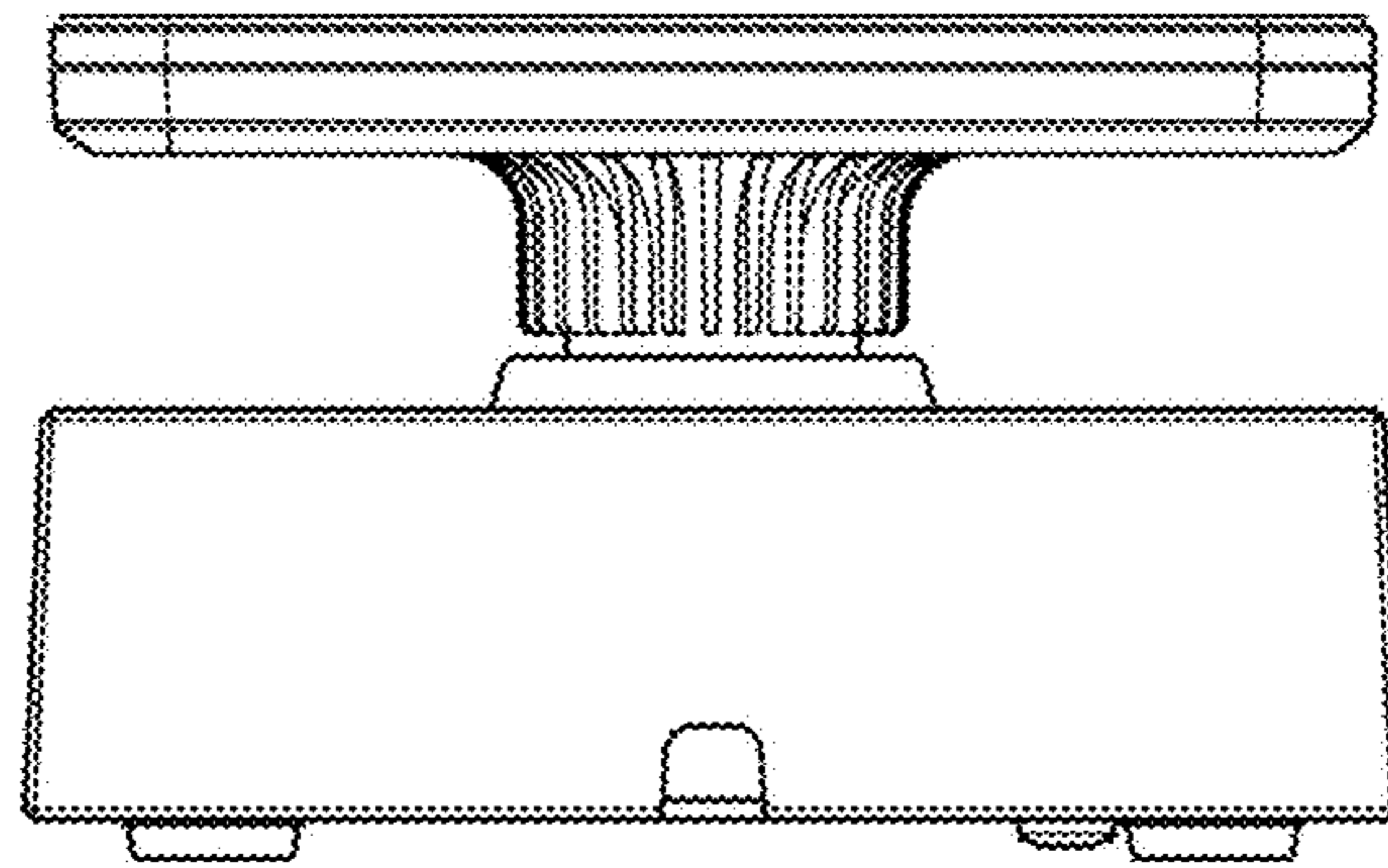


FIG. 12