



US00D802457S

(12) **United States Design Patent** (10) **Patent No.:** **US D802,457 S**
Held (45) **Date of Patent:** **** Nov. 14, 2017**

(54) **WEIGHING APPARATUS AND INSTRUMENT**

(71) Applicant: **Mettler-Toledo GmbH**, Greifensee (CH)

(72) Inventor: **Fred Held**, Hamburg (DE)

(73) Assignee: **Mettler-Toledo GmbH**, Greifensee (CH)

(**) Term: **15 Years**

(21) Appl. No.: **29/561,267**

(22) Filed: **Apr. 14, 2016**

(30) **Foreign Application Priority Data**

Oct. 29, 2015 (EM) 002839936

(51) **LOC (10) Cl.** **10-04**

(52) **U.S. Cl.**
USPC **D10/91**

(58) **Field of Classification Search**
USPC D10/87, 91
CPC G01G 21/28; G01G 21/283; G01G 21/286;
G01G 21/30; G01G 23/37; G01G
23/3728; G01G 23/3735

See application file for complete search history.

(56) **References Cited**

U.S. PATENT DOCUMENTS

9,719,844 B2* 8/2017 Lewandowski G01G 21/286

* cited by examiner

Primary Examiner — Antoine Duval Davis

(74) *Attorney, Agent, or Firm* — Standley Law Group LLP

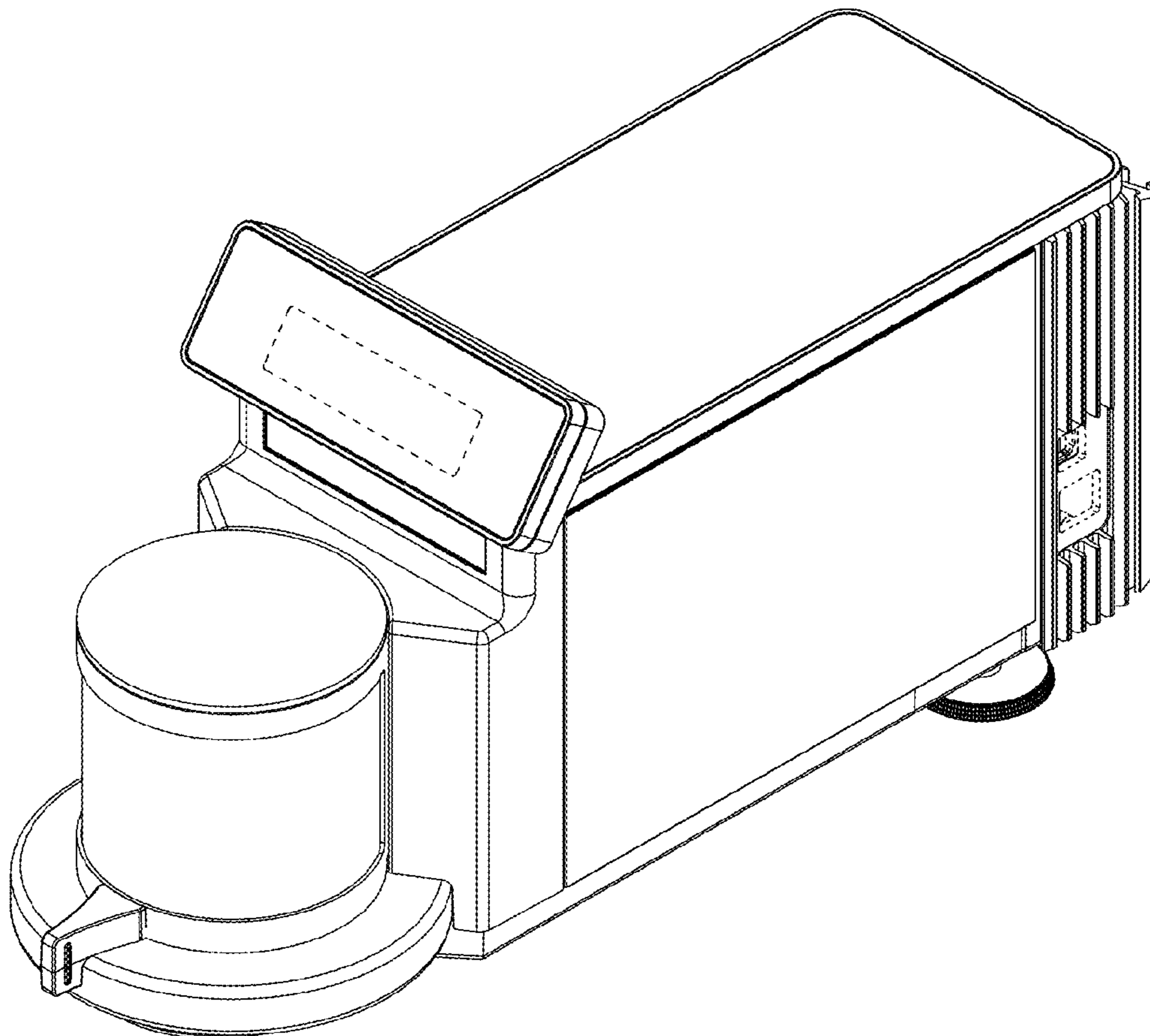
(57) **CLAIM**

The ornamental design for a weighing apparatus and instrument, as shown.

DESCRIPTION

FIG. 1 is a left front perspective view of the weighing apparatus and instrument;
FIG. 2 is a top plan view thereof;
FIG. 3 is a bottom plan view thereof;
FIG. 4 is a rear elevation view thereof;
FIG. 5 is a left side elevation view thereof;
FIG. 6 is a front elevation view thereof; and,
FIG. 7 is a right side elevation view thereof.
The broken lines in the figures depict unclaimed environmental subject matter.

1 Claim, 7 Drawing Sheets



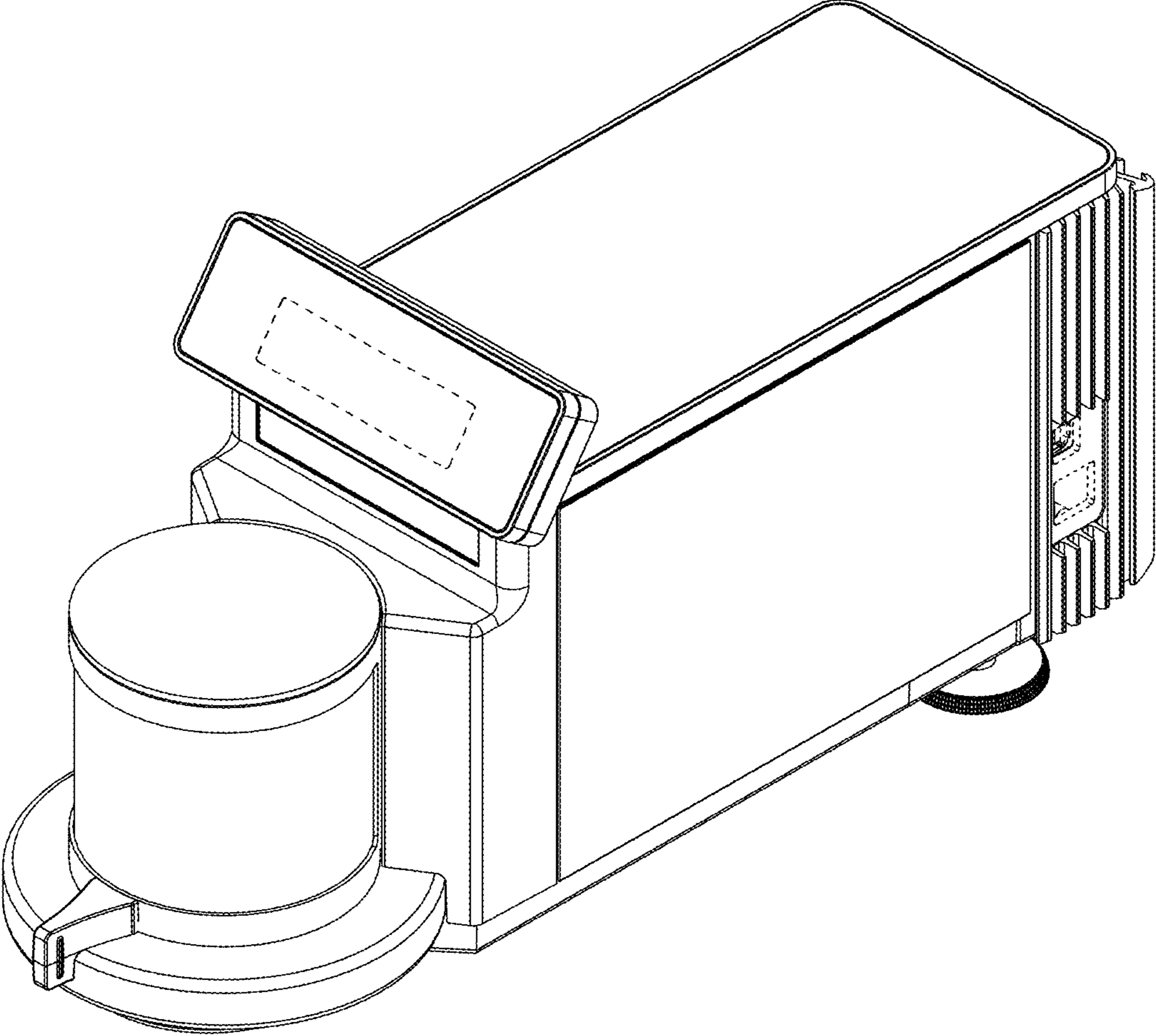


FIG. 1

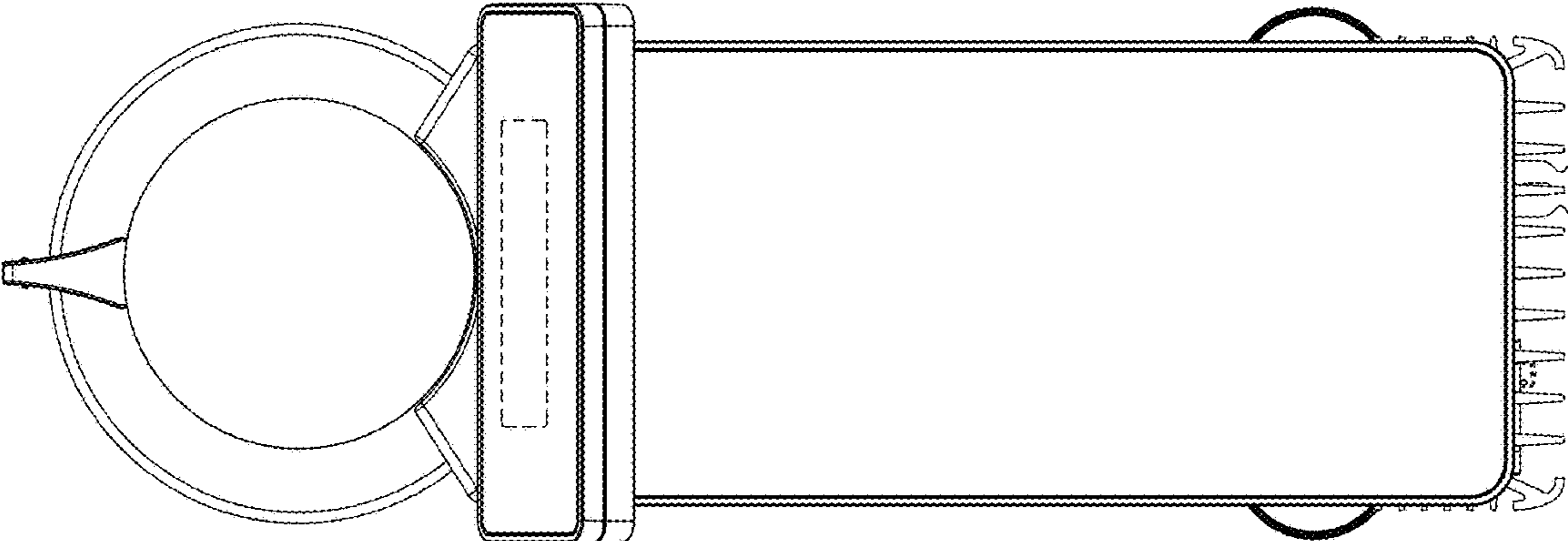


FIG. 2

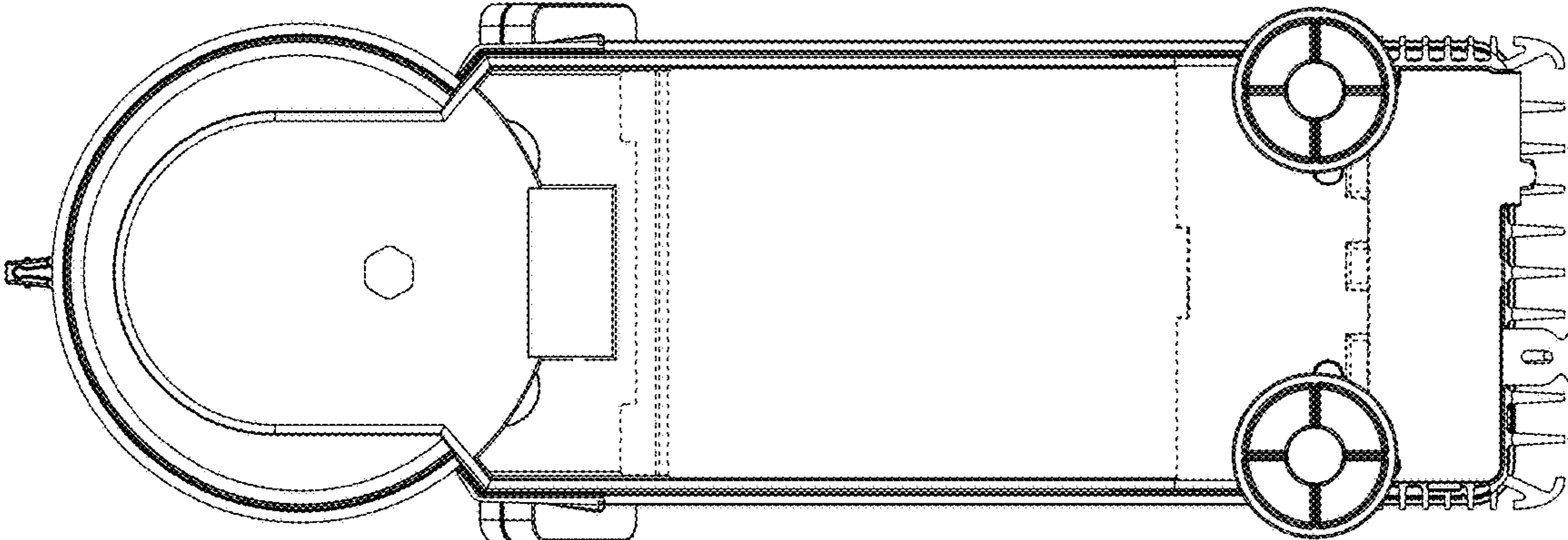


FIG. 3

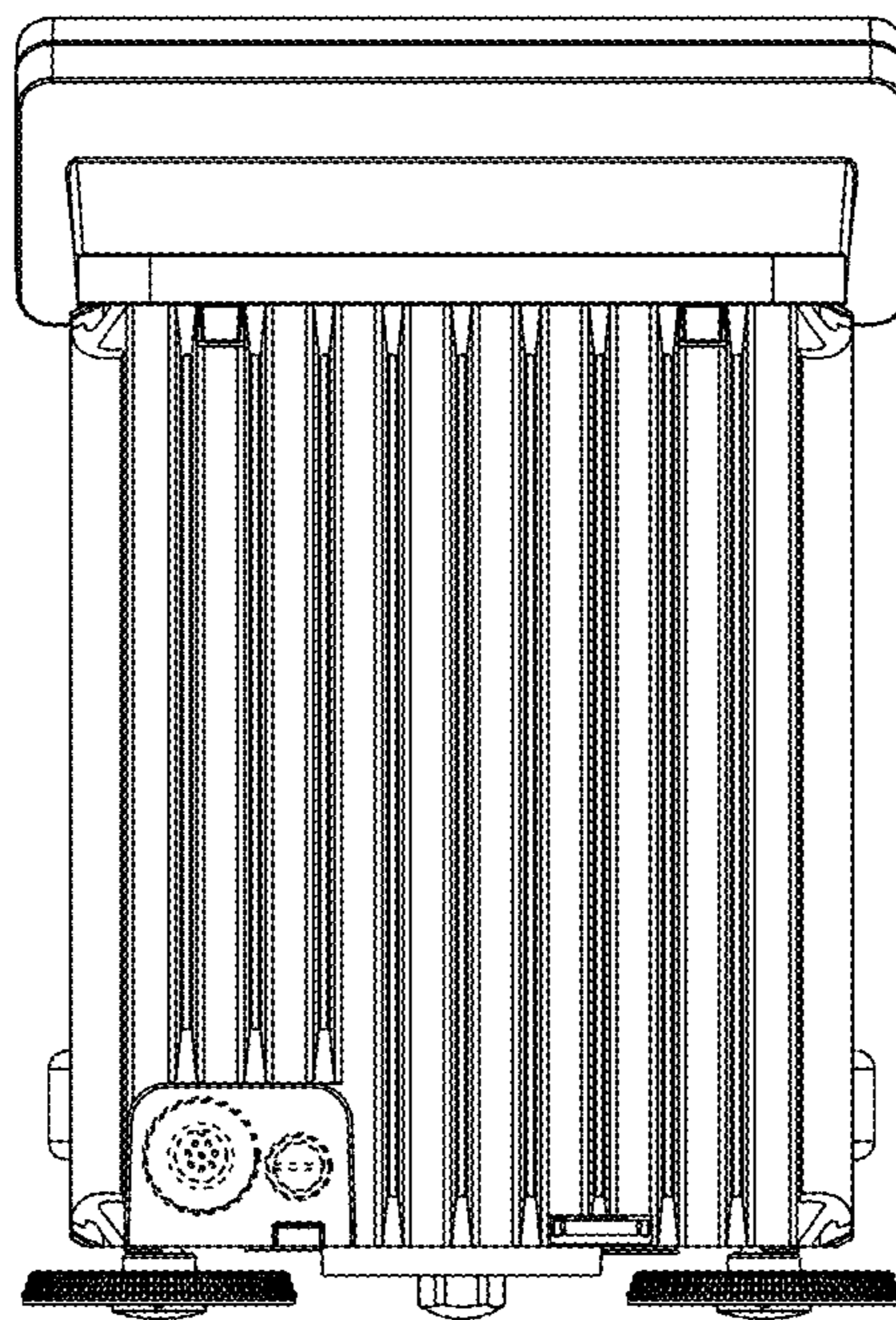


FIG. 4

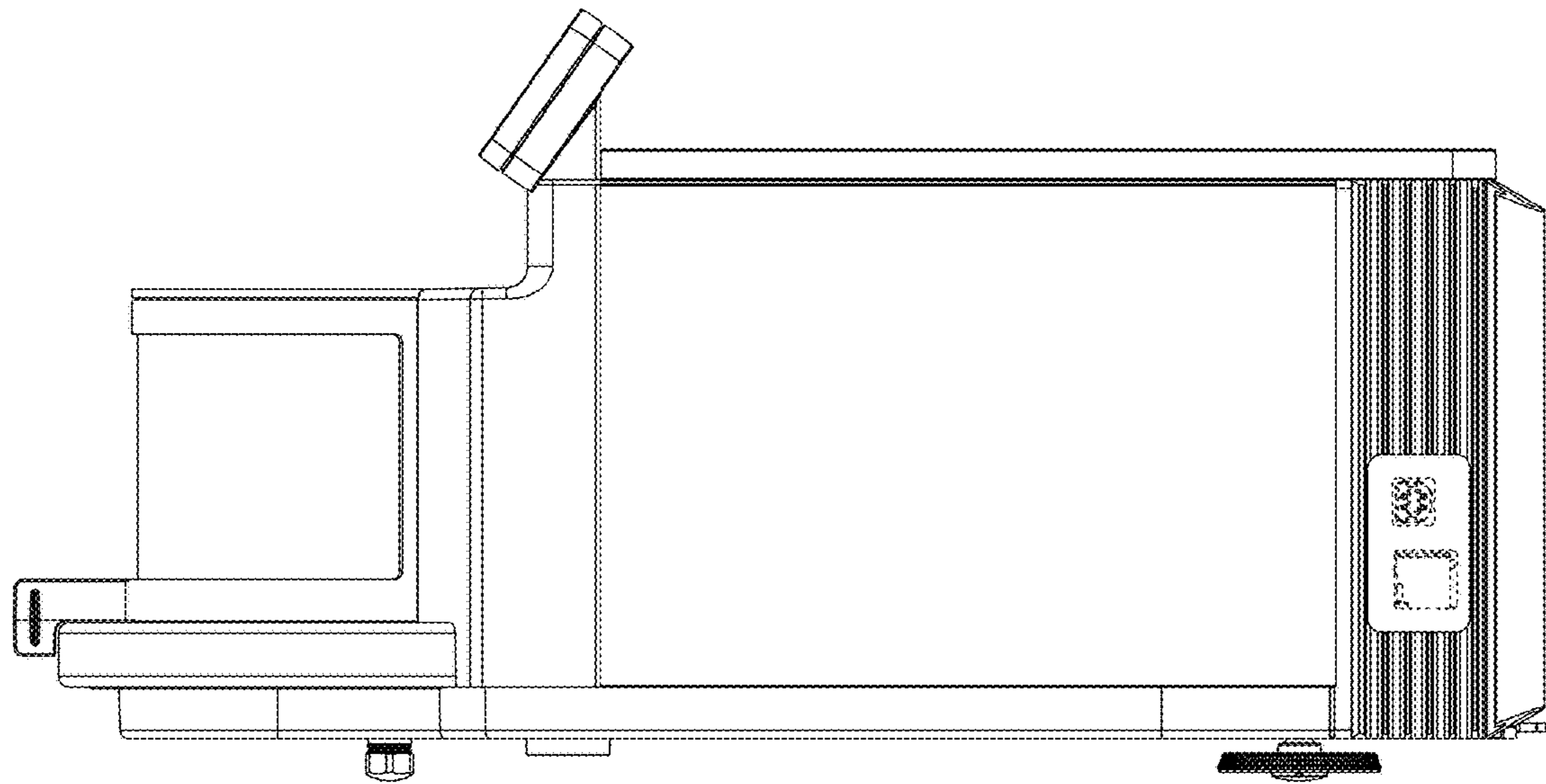


FIG. 5

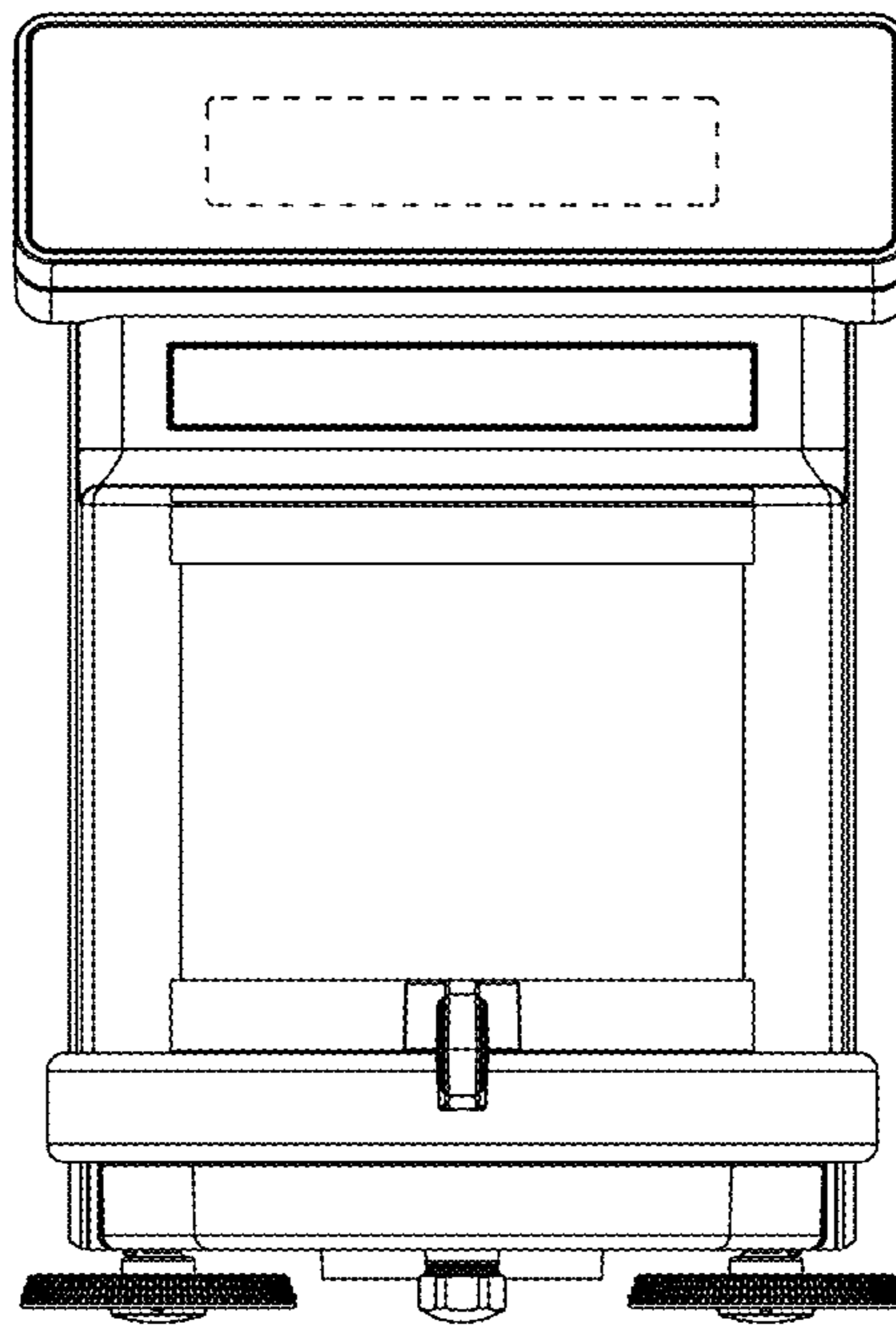


FIG. 6

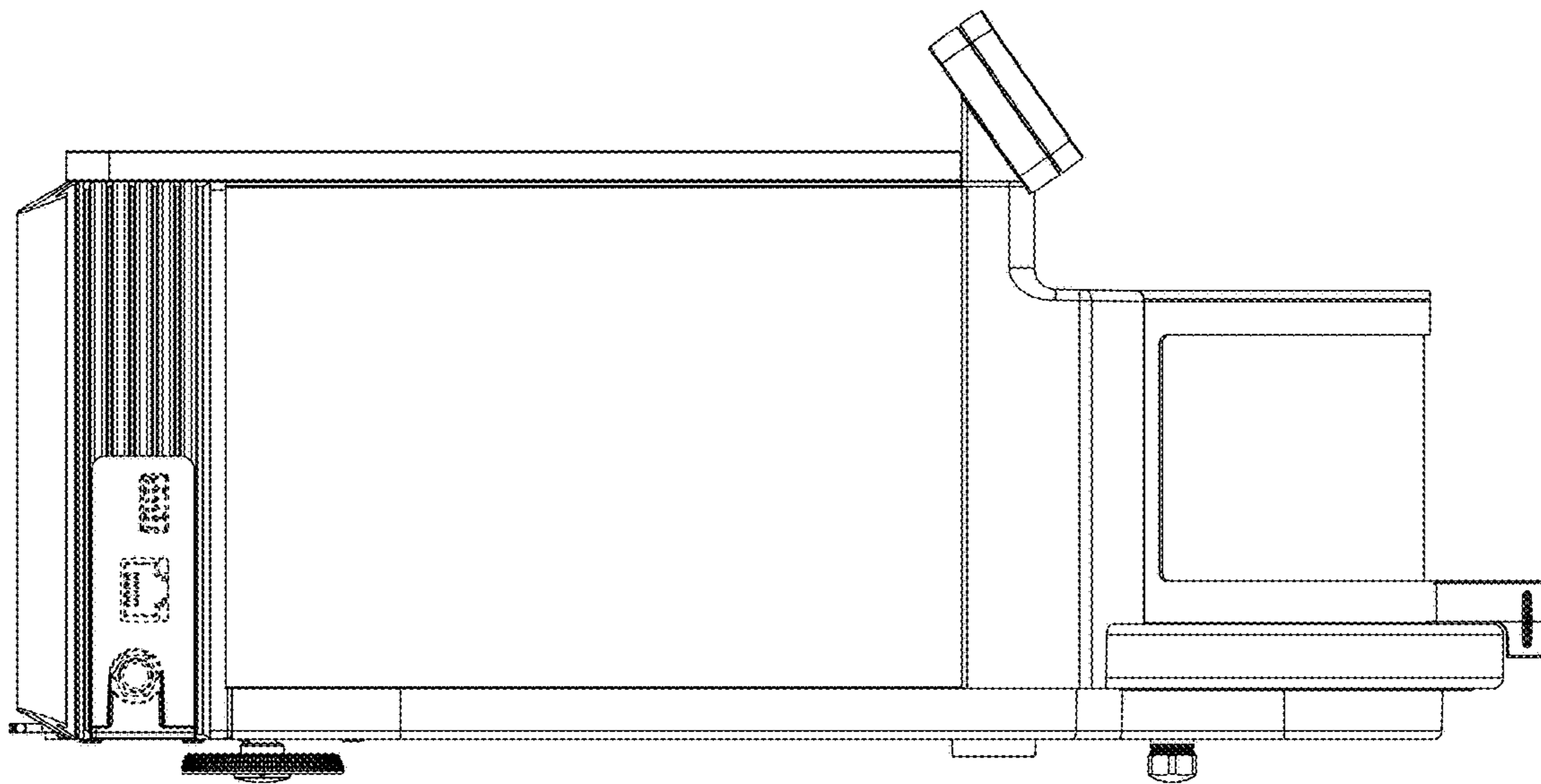


FIG. 7