



US00D802454S

(12) **United States Design Patent**
Paschke et al.

(10) **Patent No.:** **US D802,454 S**

(45) **Date of Patent:** **** Nov. 14, 2017**

(54) **PENDANT ACCESSORY FOR A WEARABLE FITNESS MONITOR**

(71) Applicant: **Fitbit, Inc.**, San Francisco, CA (US)

(72) Inventors: **Brian Dennis Paschke**, San Francisco, CA (US); **Jonah Avram Becker**, San Francisco, CA (US); **Susan Elizabeth McKinney**, San Francisco, CA (US); **Ellise Noel Smolenyak**, San Francisco, CA (US); **Byron Ben-Ming Hsieh**, San Francisco, CA (US); **Anthony Joseph Smith**, Berkeley, CA (US); **Gad Amit**, San Mateo, CA (US)

(73) Assignee: **Fitbit, Inc.**, San Francisco, CA (US)

(**) Term: **15 Years**

(21) Appl. No.: **29/568,558**

(22) Filed: **Jun. 20, 2016**

Related U.S. Application Data

(63) Continuation-in-part of application No. 29/563,922, filed on May 9, 2016, and a continuation-in-part of application No. 29/565,818, filed on May 24, 2016.

(51) **LOC (10) Cl.** **10-04**

(52) **U.S. Cl.**
USPC **D10/70; D10/97; D10/98; D24/167; D24/168**

(58) **Field of Classification Search**

USPC D10/30-39, 65, 70, 78, 97, 98; D11/3, 4, D11/9; D14/138 R, 203.5, 203.6, 341, D14/344, 347; D24/167, 168, 186
(Continued)

(56) **References Cited**

U.S. PATENT DOCUMENTS

D744,109 S * 11/2015 Yoneta D24/186
D744,110 S * 11/2015 Kubo D24/186
D756,250 S * 5/2016 Lee D10/70

OTHER PUBLICATIONS

U.S. Notice of Allowance dated Jul. 6, 2017, in U.S. Appl. No. 29/569,703.

* cited by examiner

Primary Examiner — Antoine D Davis

(74) *Attorney, Agent, or Firm* — Weaver Austin Villeneuve & Sampson LLP

(57) **CLAIM**

We claim the ornamental design for a pendant accessory for a wearable fitness monitor, as shown and described.

DESCRIPTION

FIG. 1 is an isometric view of a pendant accessory for the wearable fitness monitor.

FIG. 2 is another isometric view of the pendant accessory from another perspective.

FIG. 3 is yet another isometric view of the pendant accessory from an additional perspective.

FIG. 4 is a further isometric view of the pendant accessory from another different perspective.

FIG. 5 is an isometric view corresponding to the perspective of FIG. 1, but in a cage-opened configuration, such as is formed when the cage is unclamped to allow insertion or removal of the fitness monitor.

FIG. 6 is another isometric view corresponding to the perspective of FIG. 2, but with the pendant accessory in the configuration depicted in FIG. 5.

FIG. 7 is a side view of the pendant accessory; the left and right side views are identical since the pendant accessory is symmetric in this respect.

FIG. 8 is a top view of the pendant accessory.

FIG. 9 is a bottom view of the pendant accessory.

FIG. 10 is a rear view of the pendant accessory.

FIG. 11 is a front view of the pendant accessory.

FIG. 12 is also a top view of the pendant accessory, but with section lines added to show sectioning planes for FIGS. 13-16.

(Continued)

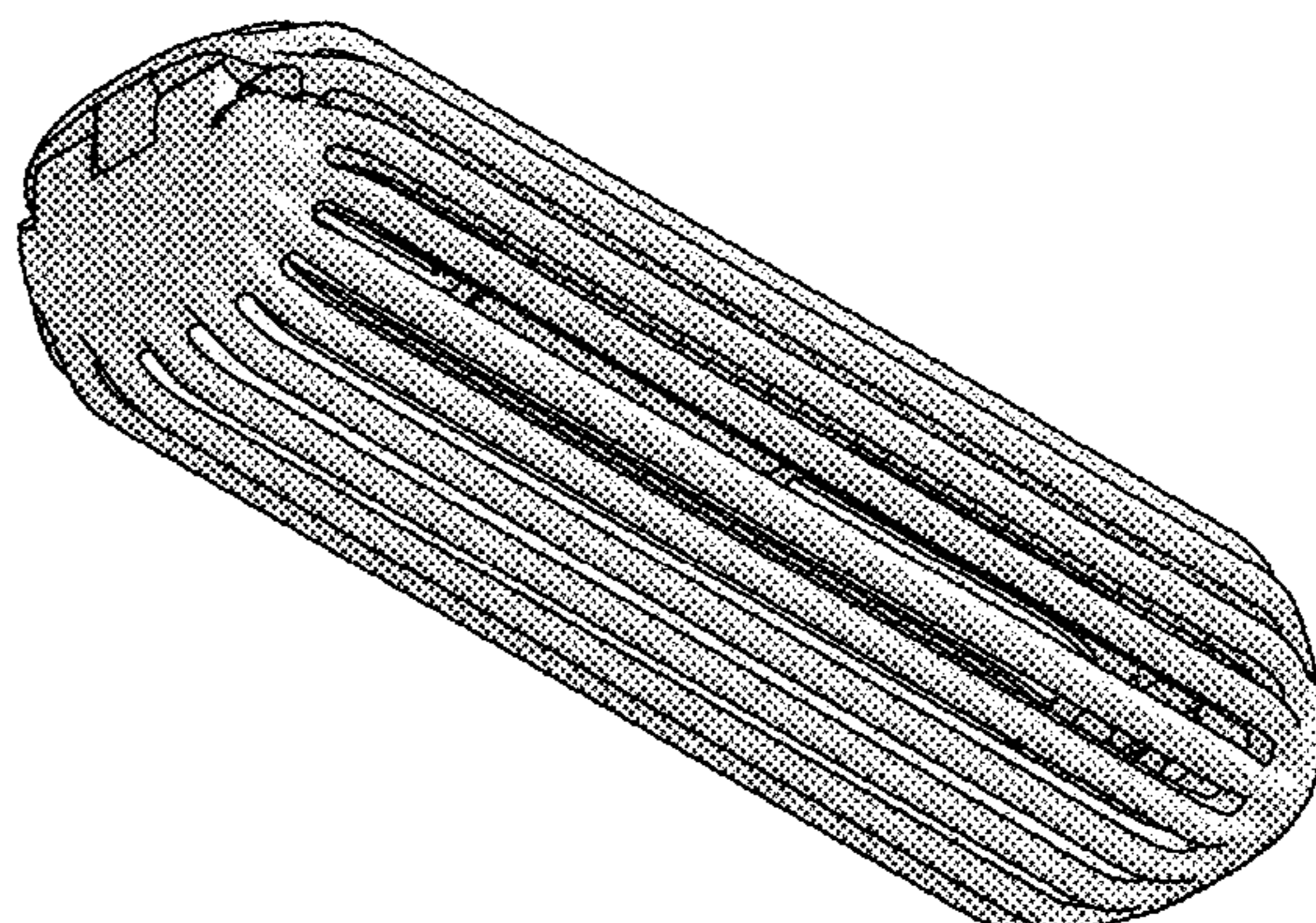
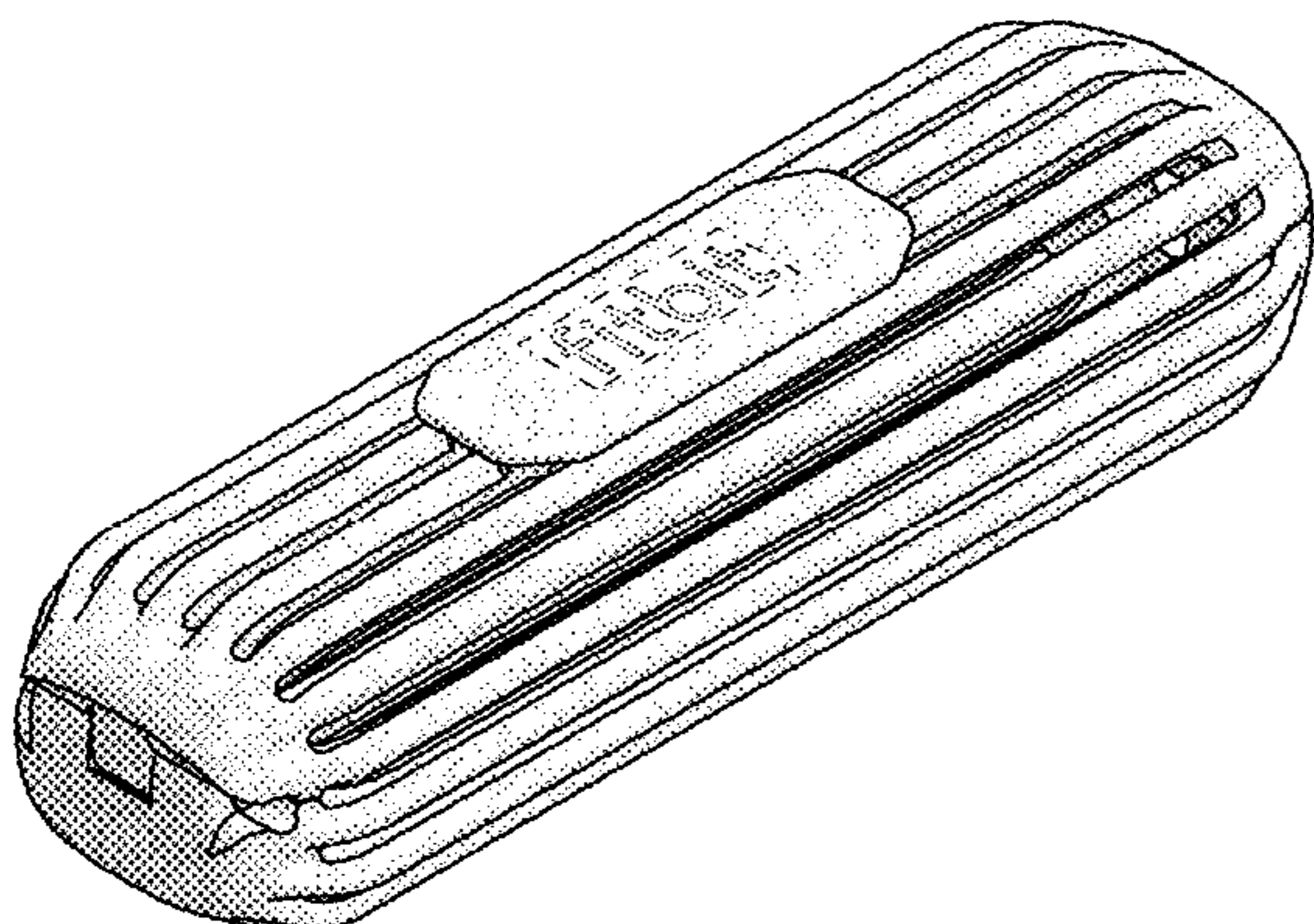


FIG. 13 is a side section view of the pendant accessory along the indicated section plane.

FIG. 14 is another side section view of the pendant accessory along the indicated section plane.

FIG. 15 is a removed section view of the pendant accessory along the indicated section plane.

FIG. 16 is another removed section view of the pendant accessory along the indicated section plane; and,

FIG. 17 is an isometric view of the pendant with the wearable fitness monitor inserted.

The pendant accessory depicted herein may be part of a complementary system of accessories for a wearable fitness monitor, i.e., the same wearable fitness monitor may be inserted into any of the accessories according to the immediate needs of the wearer, e.g., the pendant accessory may be used in more formal settings, such as formal dinners, whereas other accessories may be more suited to everyday use or in more active settings, such as during an exercise session.

The pendant accessory may feature a cage portion that may be opened via a hinge mechanism to allow the wearable fitness monitor to be inserted (see FIG. 17). The pendant accessory may also optionally include a logo plate or nameplate, e.g., the elongate octagonal plate centered in the top view of the pendant accessory, which may include a logo, design, pattern, or other artistic embellishment. The pendant accessory may be attached to a strand, chain, or

lanyard that may, for example, connect to the U-shaped attachment point on the pendant accessory.

Stipple shading is used in all of the accompanying Figures to convey surface contouring and not texture. The depicted pendant accessory may be made from any of a variety of materials, including metals or plastics.

The Fitbit logo is represented in broken lines and is also bounded by a boundary rectangle depicted with dash-dot-dash lines to indicate unclaimed environmental structure. The boundary rectangle is used to indicate a transition from claimed subject matter to unclaimed environmental structure, as evidenced by the absence of shading within the boundary rectangle and the presence of shading outside of the boundary rectangle.

1 Claim, 6 Drawing Sheets

(58) Field of Classification Search

CPC G04B 19/00–19/34; G04B 21/12; G04B 23/12; G04B 37/00; G04B 37/228; G04B 47/00–47/068; G01C 17/00; G01C 21/00–21/3697; G01C 22/00–22/025; G01C 23/00; G06F 19/3481; G06F 3/00–3/027

See application file for complete search history.

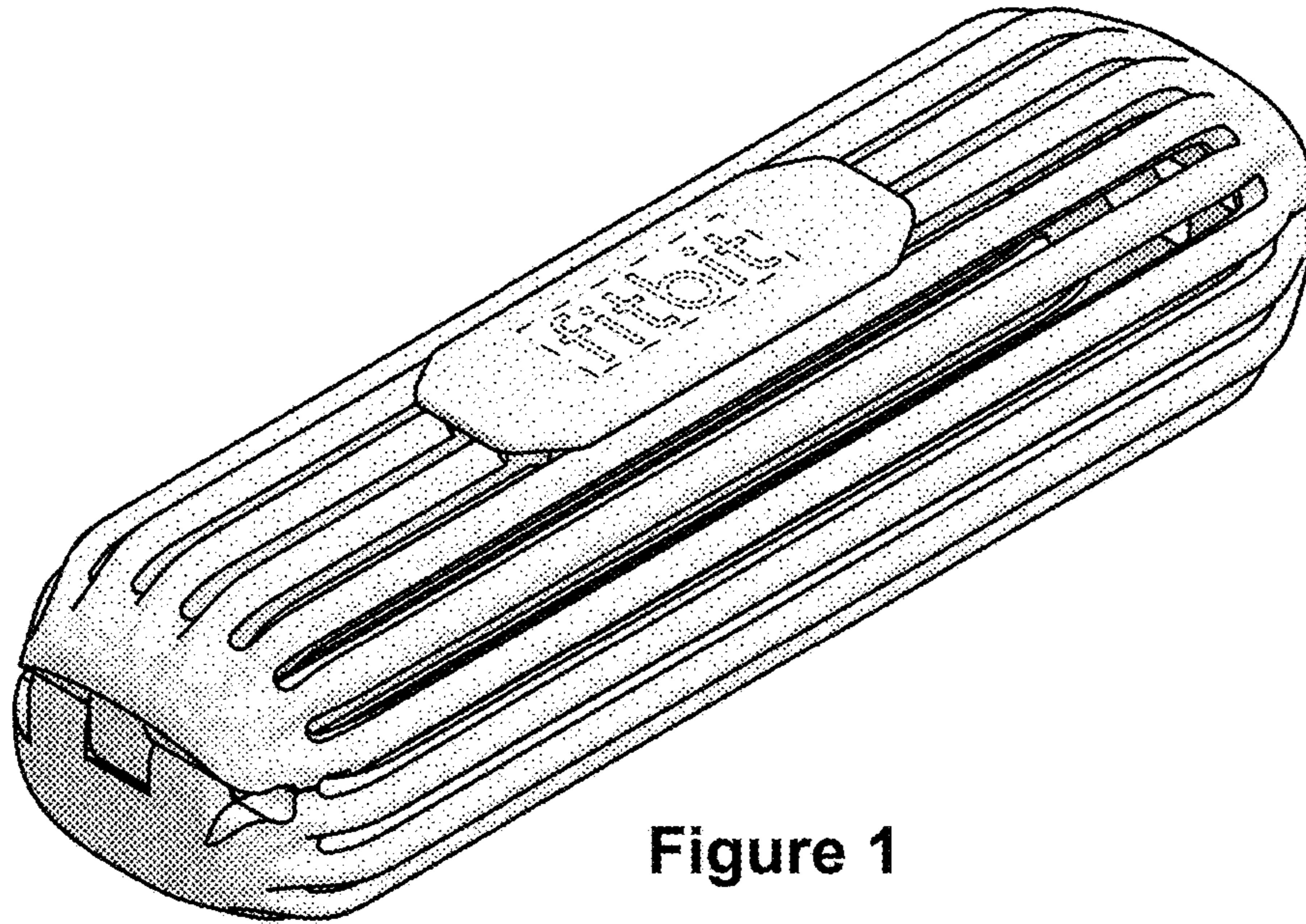


Figure 1

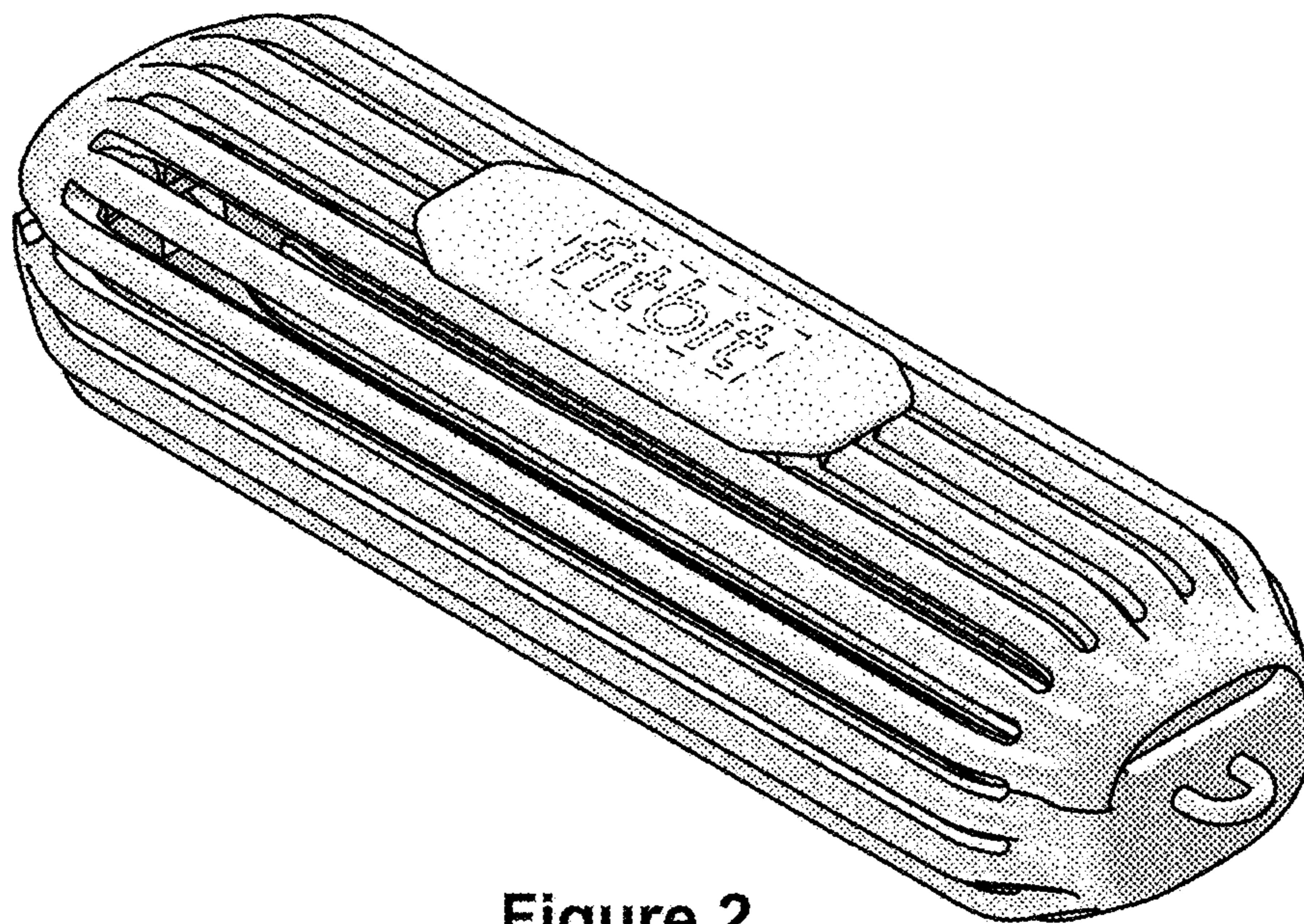


Figure 2

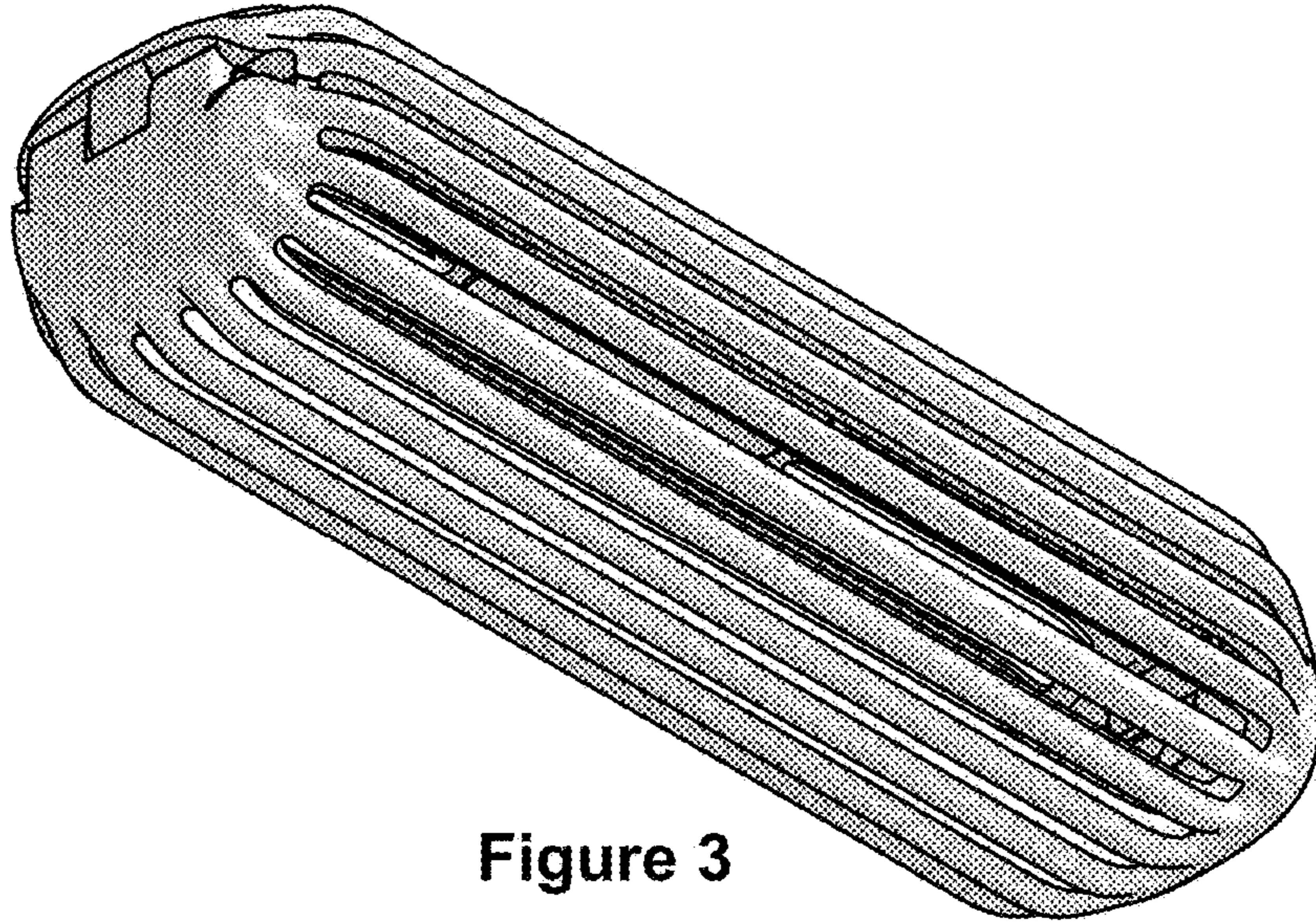


Figure 3

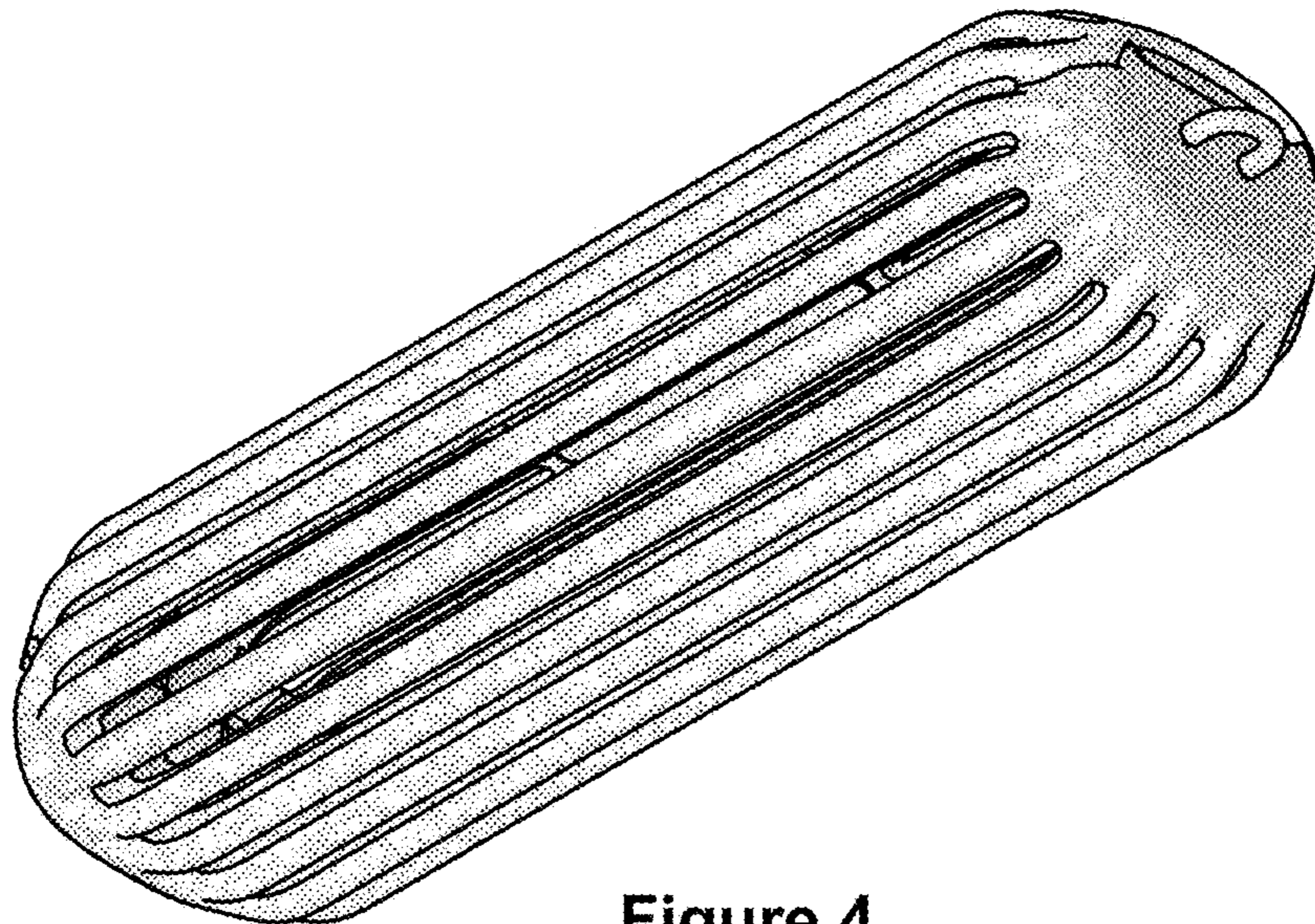


Figure 4

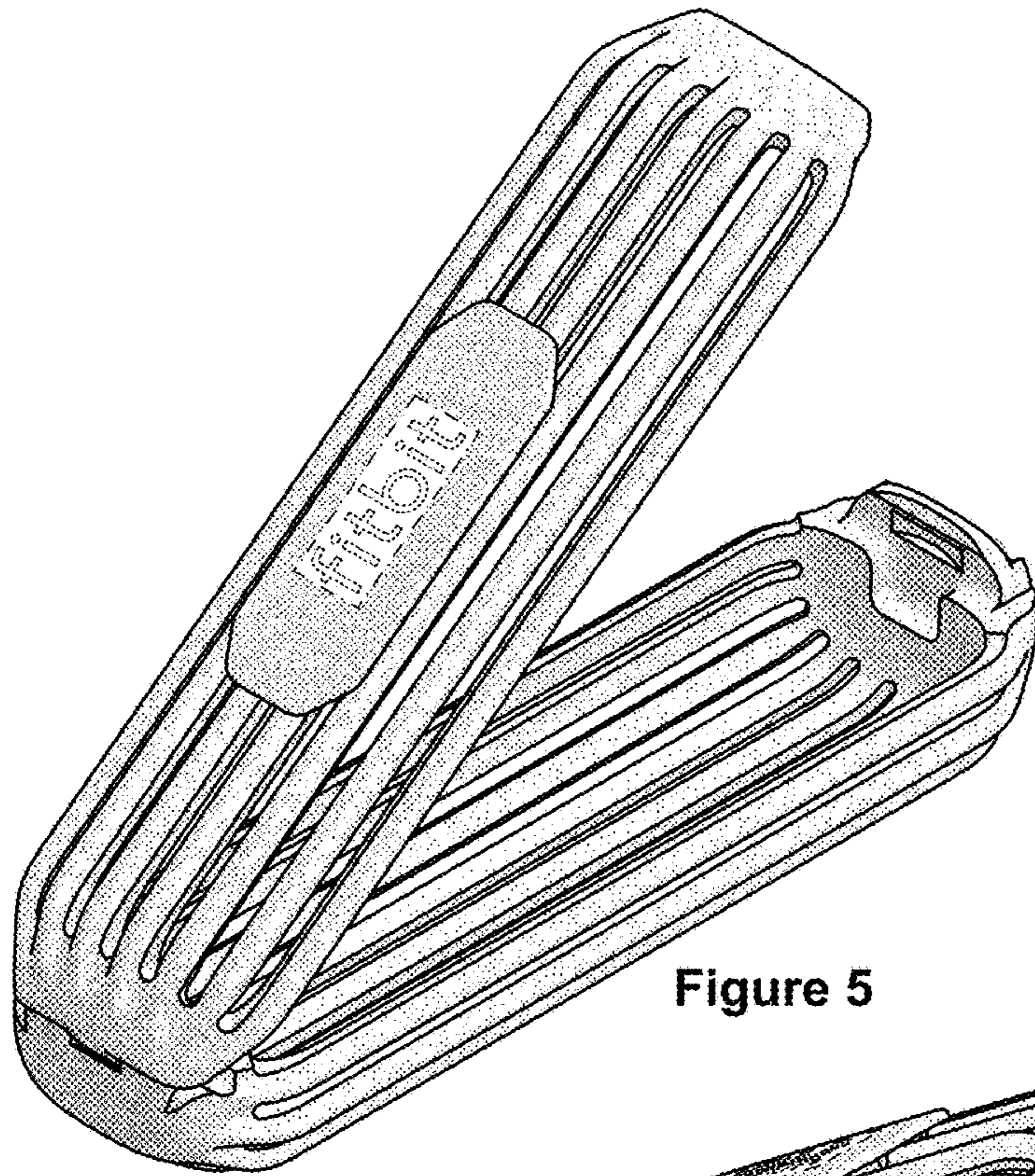


Figure 5

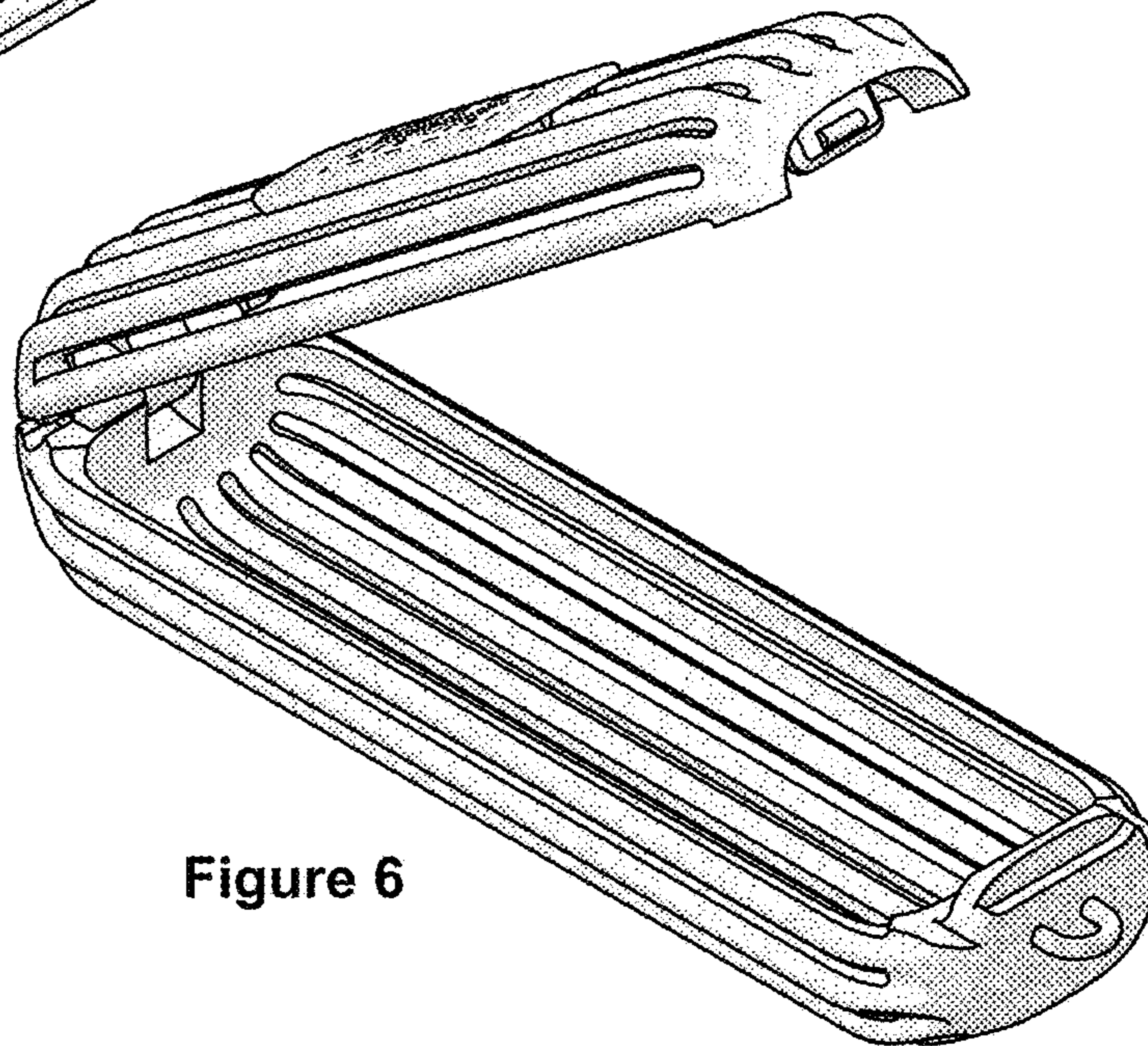


Figure 6

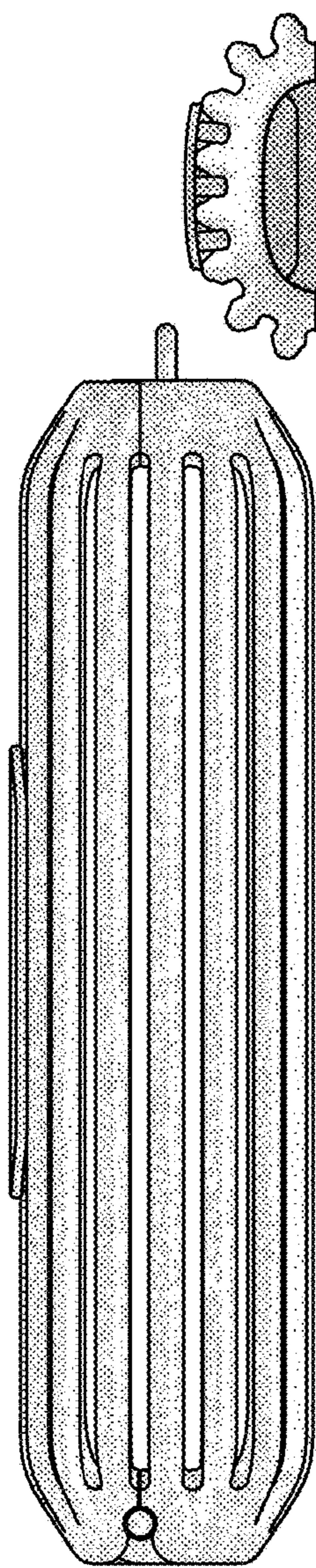


Figure 7

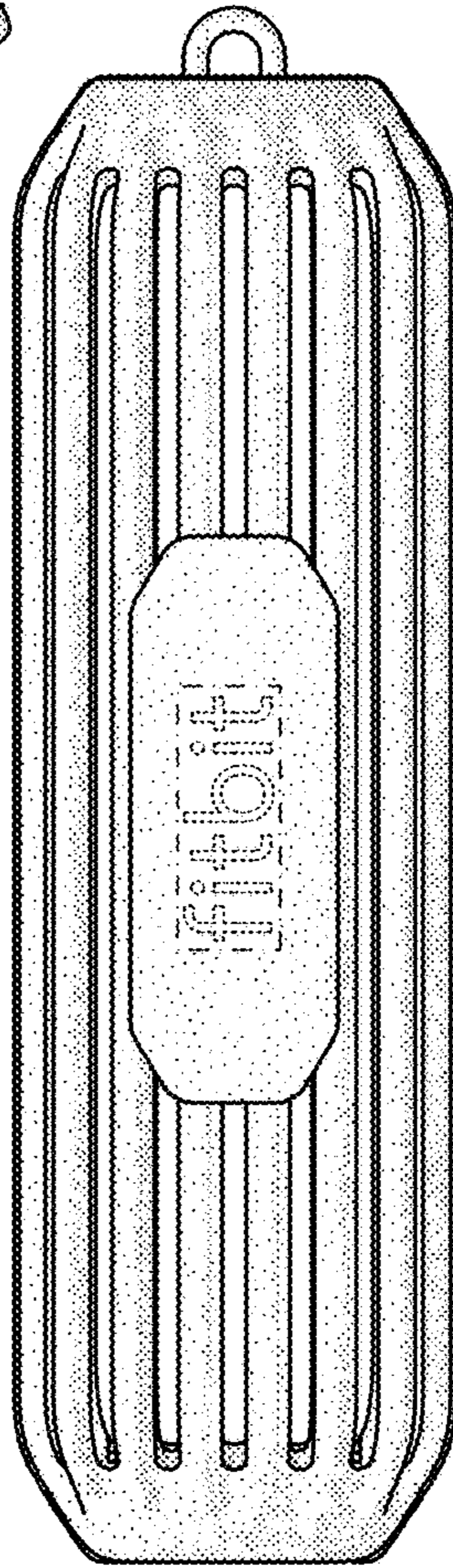


Figure 8

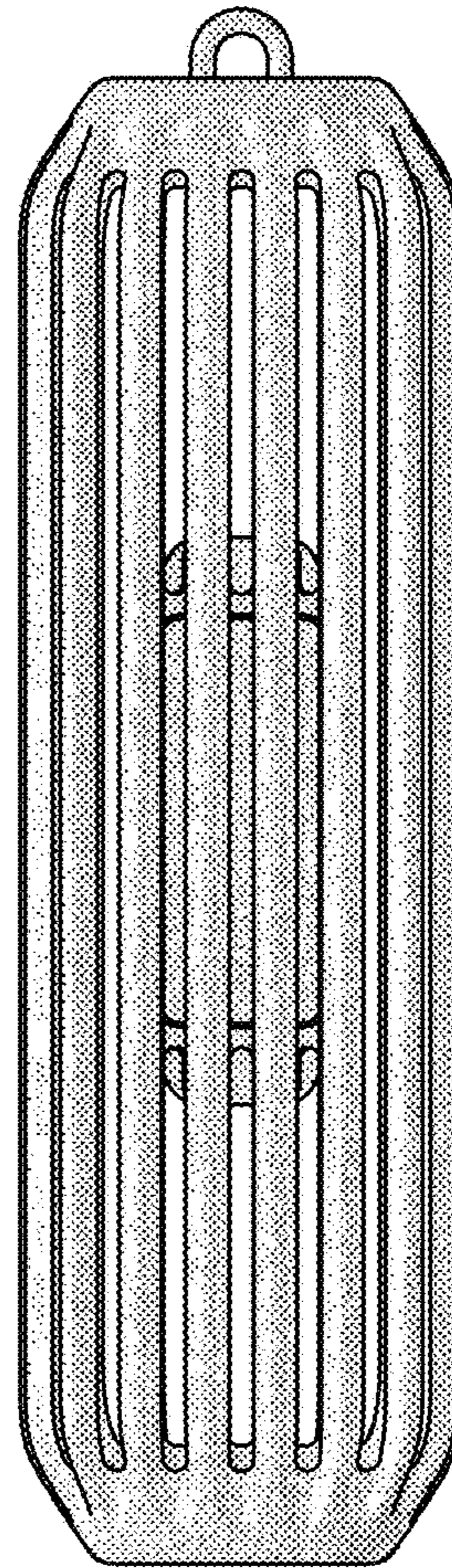


Figure 9

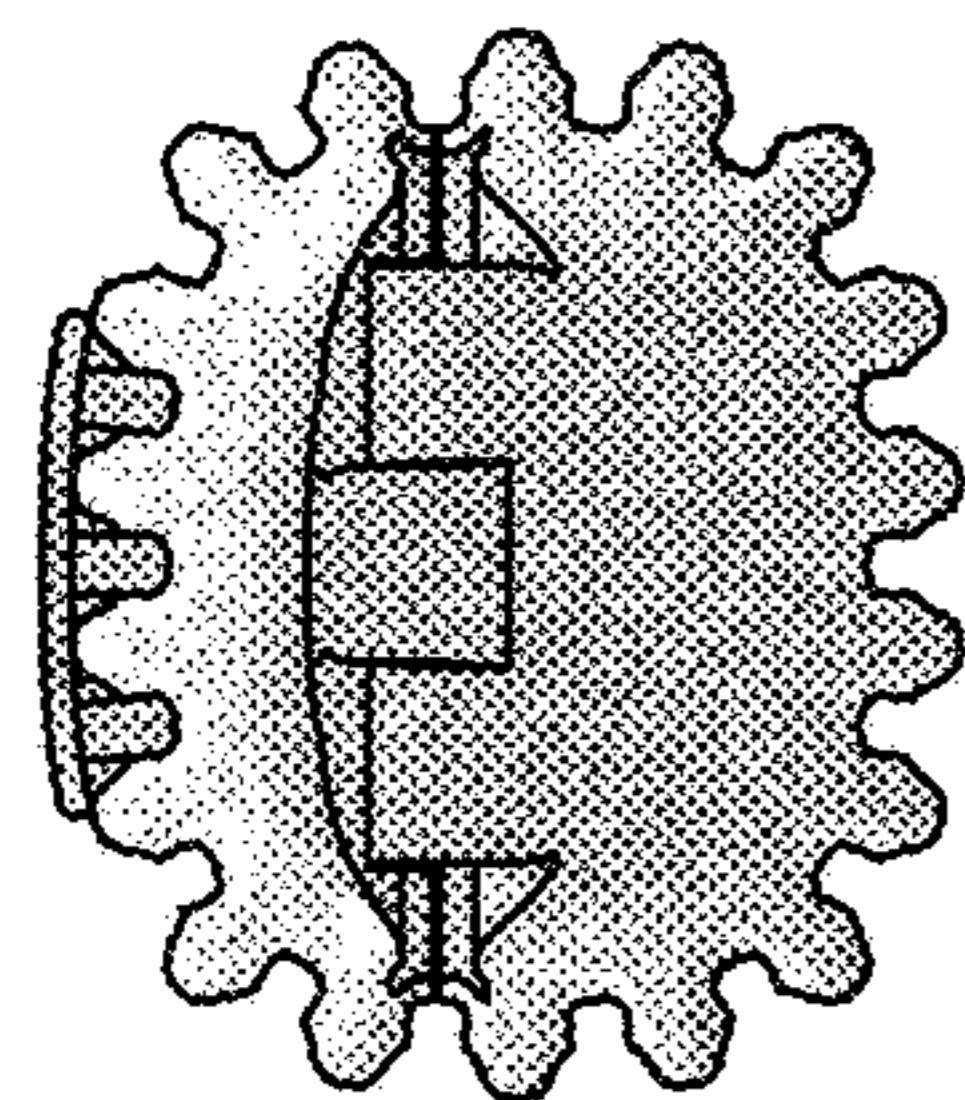


Figure 10

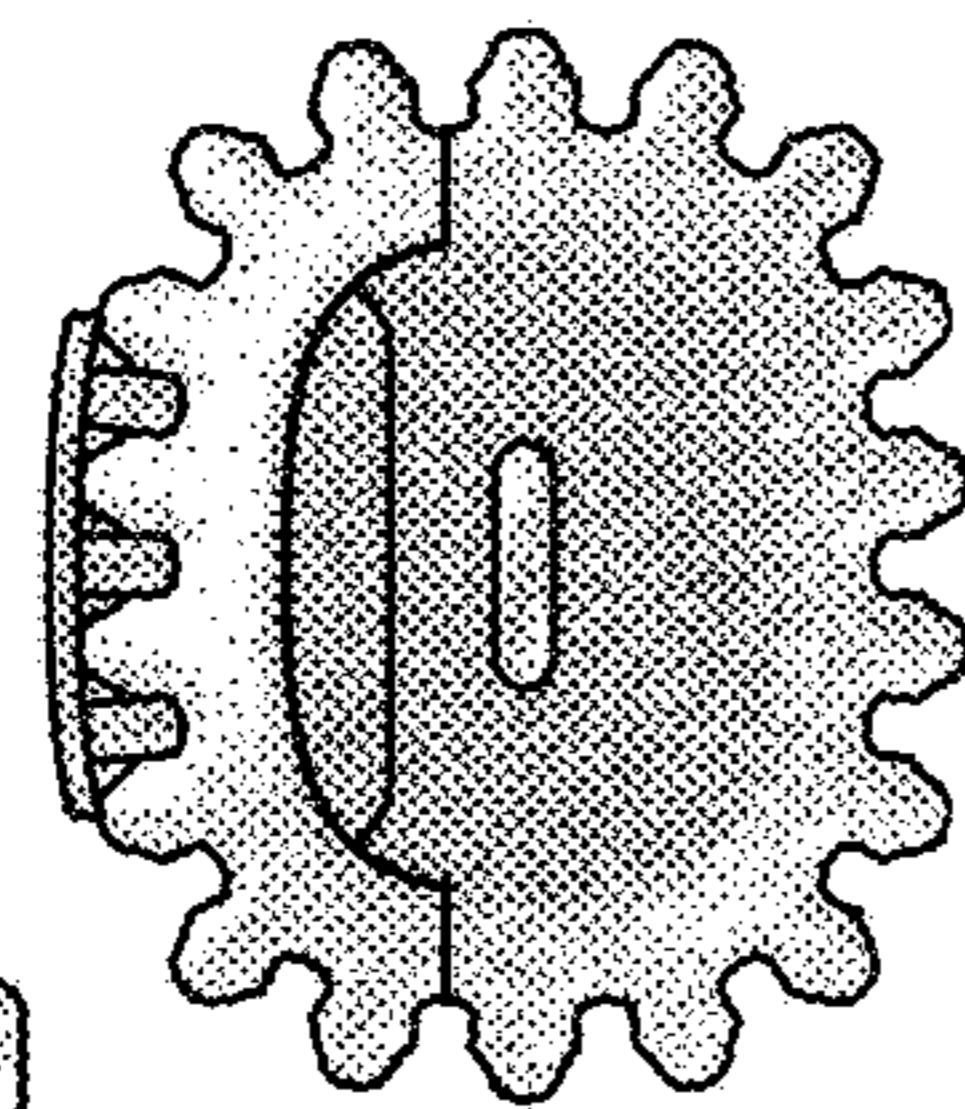


Figure 11

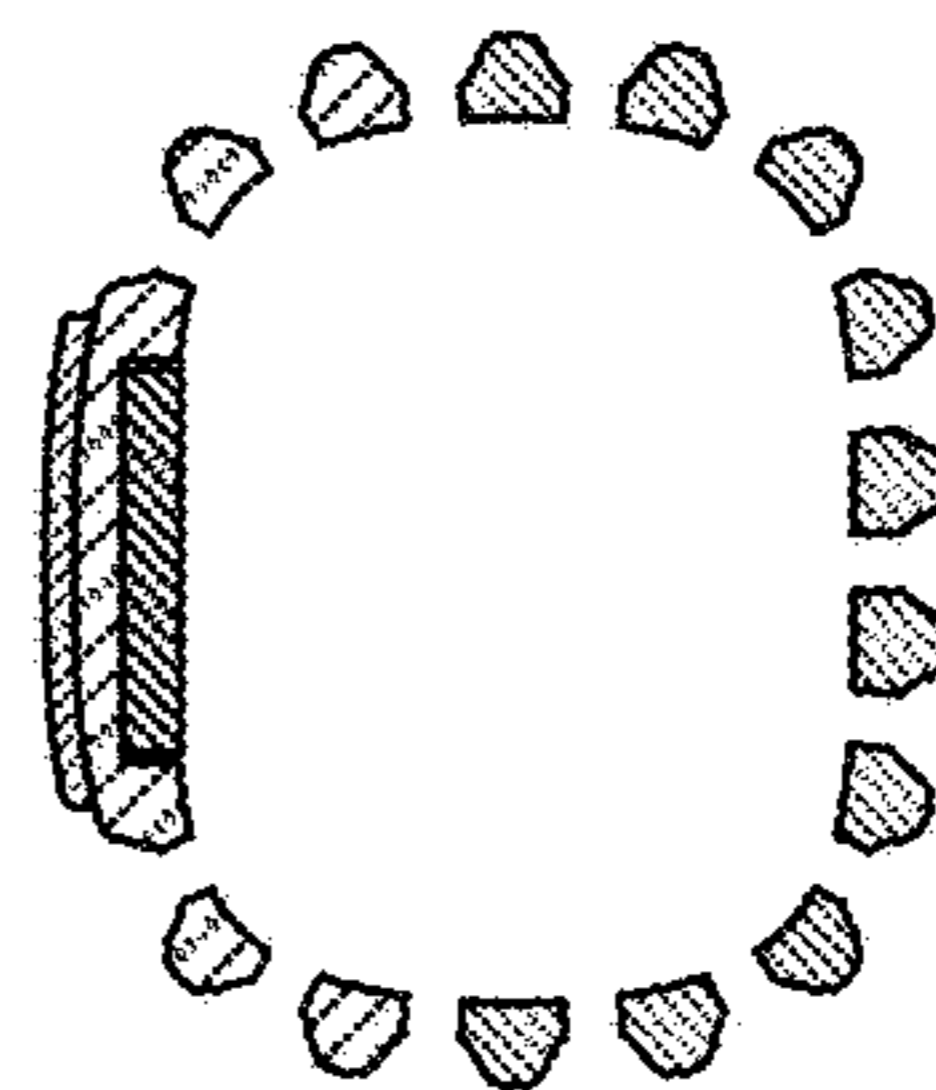
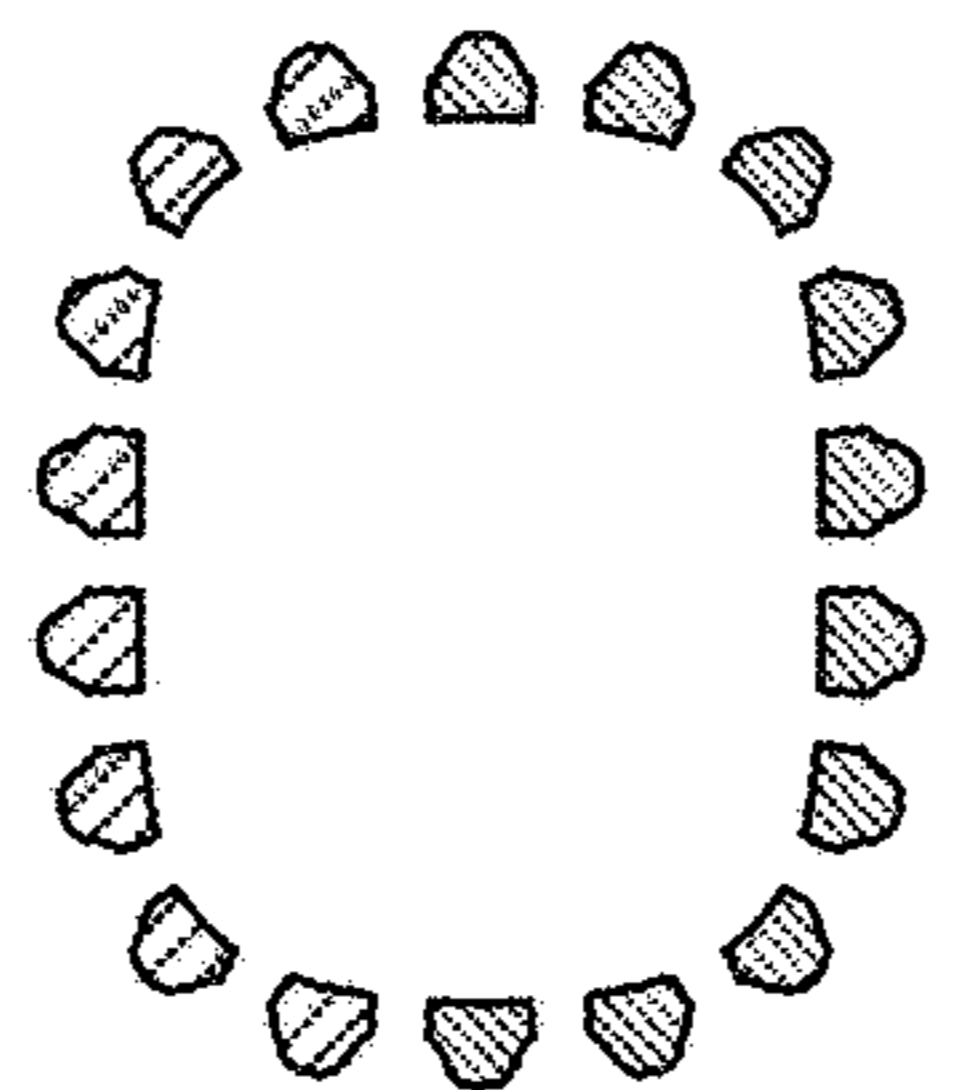
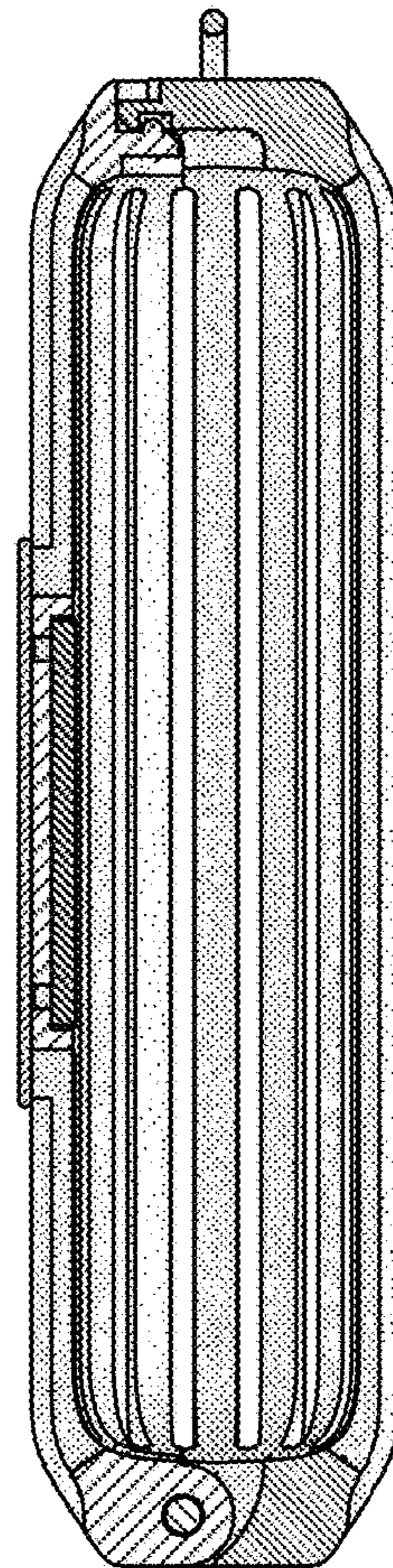
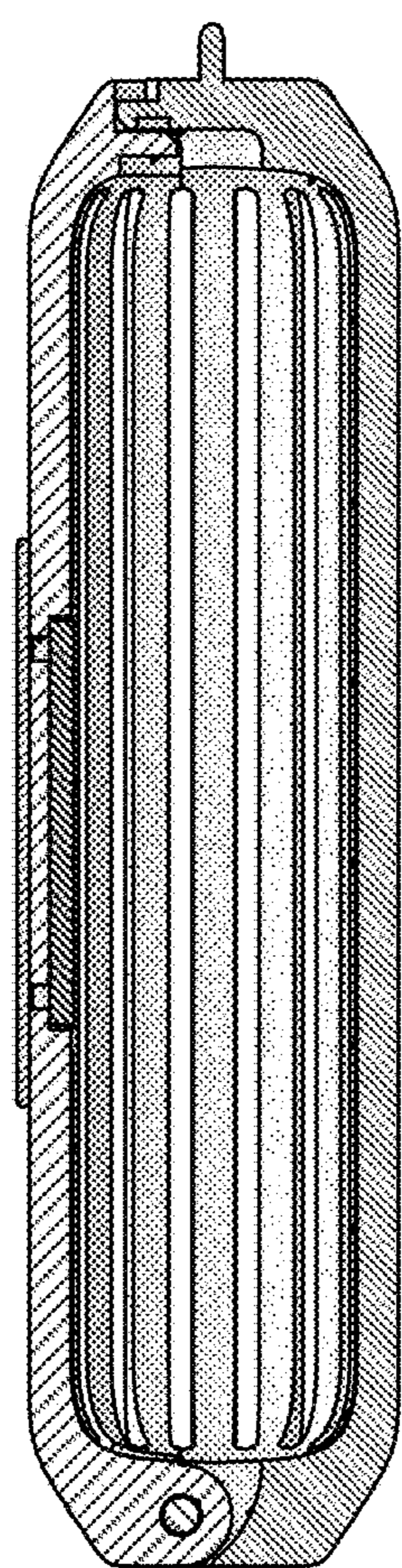
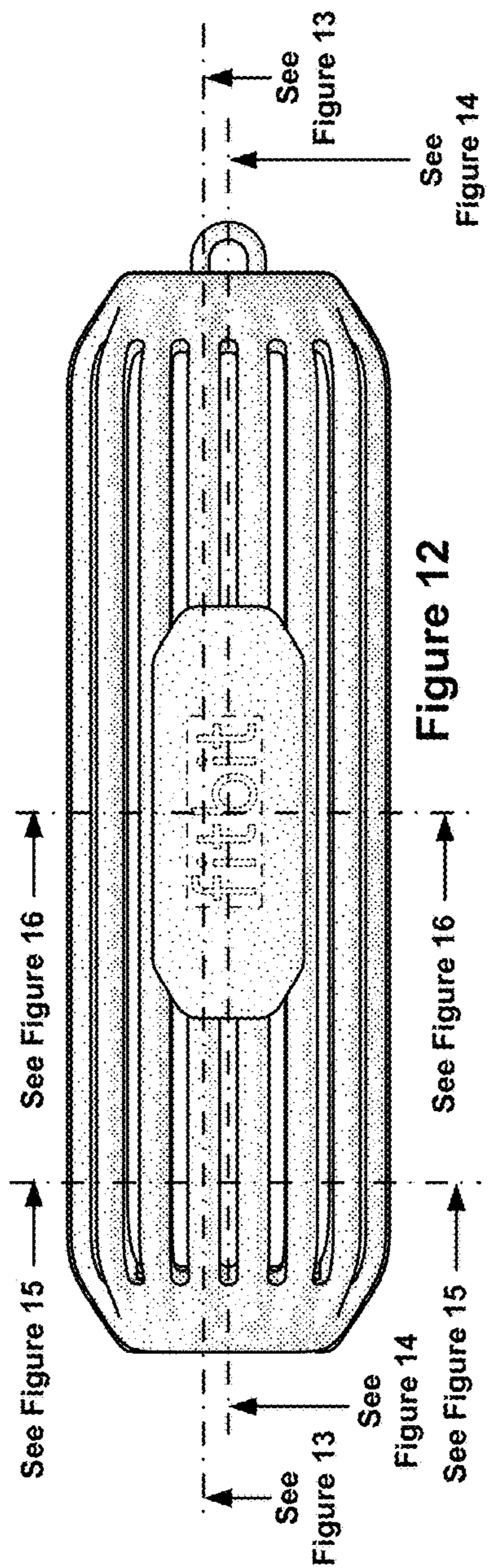


Figure 13

Figure 14

Figure 15

Figure 16

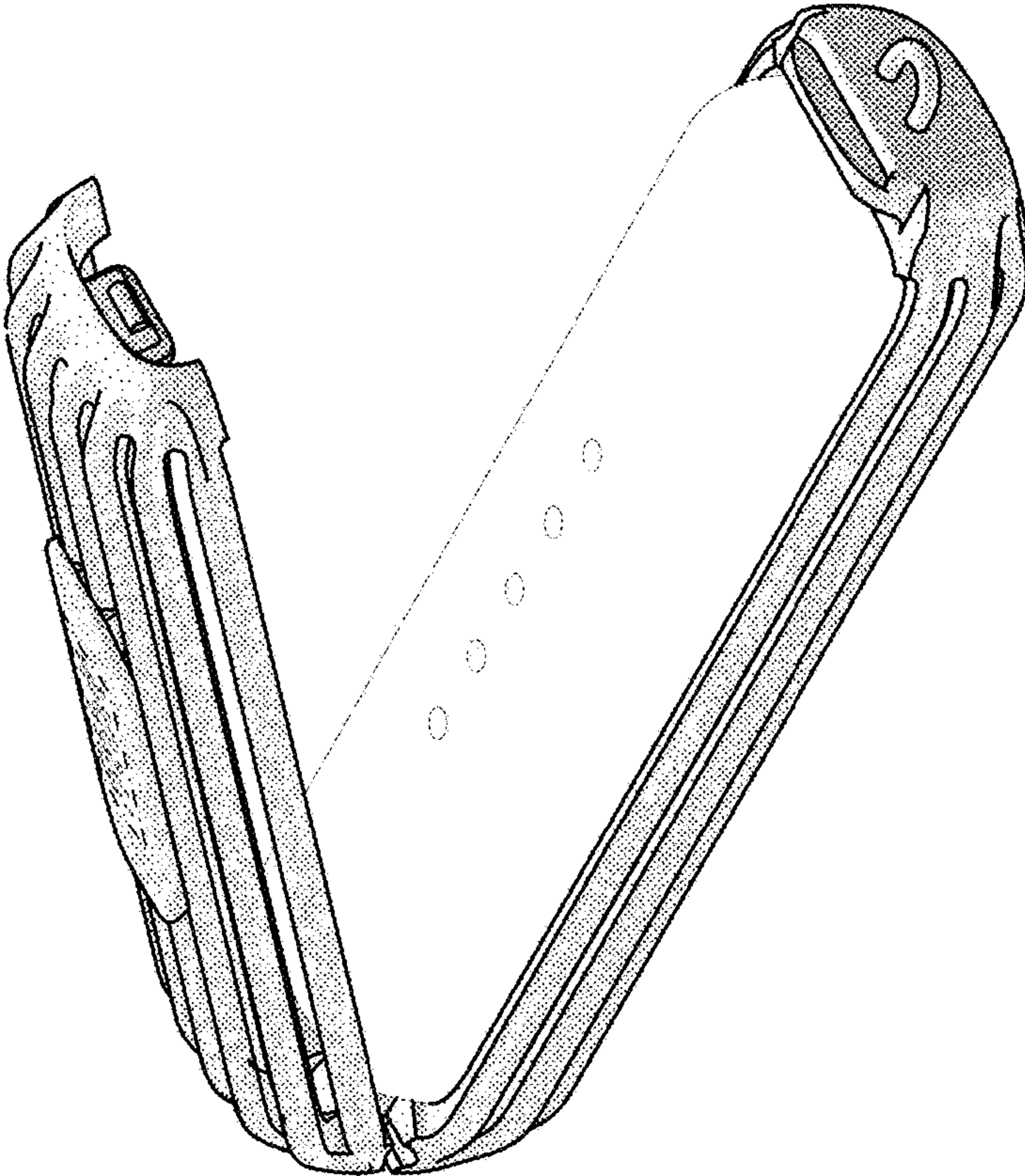


Figure 17