



US00D802450S

(12) **United States Design Patent**
Boynton et al.

(10) **Patent No.:** **US D802,450 S**

(45) **Date of Patent:** **** Nov. 14, 2017**

(54) **THERMOSTAT**

(71) Applicant: **Vivint, Inc.**, Provo, UT (US)

(72) Inventors: **Stephen Edward Boynton**, Pleasant Grove, UT (US); **Craig DeVries**, Bountiful, UT (US); **Scott Moulton**, Heber City, UT (US); **Kris Nosack**, Orem, UT (US)

(73) Assignee: **VIVINT, INC.**, Provo, UT (US)

(**) Term: **15 Years**

(21) Appl. No.: **29/565,884**

(22) Filed: **May 25, 2016**

(51) **LOC (10) Cl.** **10-04**

(52) **U.S. Cl.**
USPC **D10/50; D13/162.1**

(58) **Field of Classification Search**

USPC D10/49, 50
CPC . F23N 5/20; F23N 5/203; F23N 5/206; F23N 5/18; F23N 5/184; F23N 5/187; F23N 5/22; F23N 2025/12; F23N 2041/02; F24F 11/00; F24F 11/0012; F24F 11/0009; F24F 11/001; F24F 2011/0057; F24F 2011/0073; F24F 2011/0091

See application file for complete search history.

(56) **References Cited**

U.S. PATENT DOCUMENTS

D646,990 S * 10/2011 Rhodes D10/50
D659,560 S * 5/2012 Rhodes D10/50

D666,927 S * 9/2012 Krumpe D10/50
D673,467 S * 1/2013 Lee D10/50
D678,084 S * 3/2013 Beland D10/50
8,527,096 B2 * 9/2013 Pavlak F24F 11/001
236/1 B
D727,180 S * 4/2015 Lai D10/50

* cited by examiner

Primary Examiner — Antoine D Davis

(74) *Attorney, Agent, or Firm* — Holland & Hart

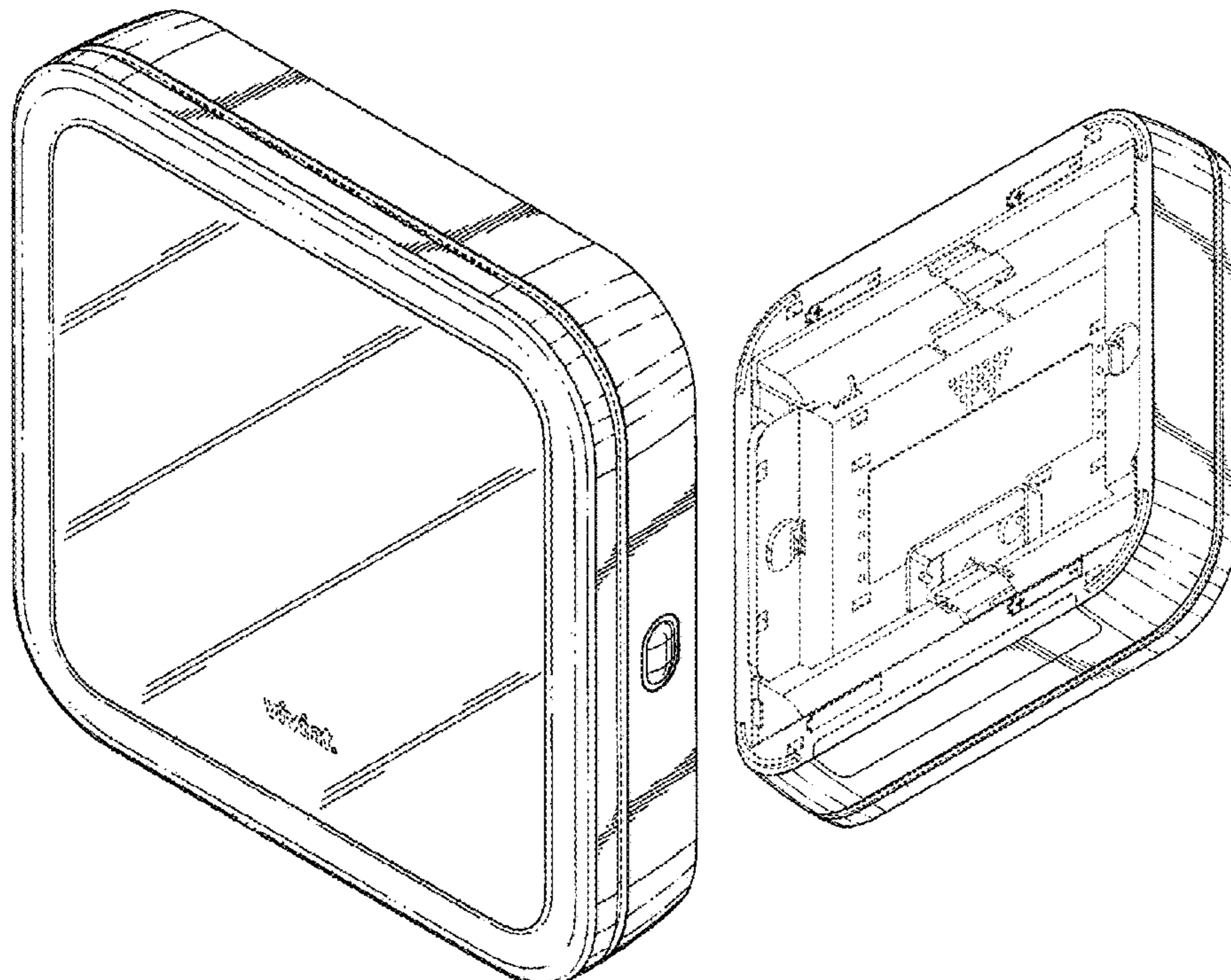
(57) **CLAIM**

The ornamental design for a thermostat, as shown and described.

DESCRIPTION

FIG. 1 is a perspective view of a thermostat according to the present invention;
FIG. 2 is an exploded perspective view thereof;
FIG. 3 is a rear perspective view thereof;
FIG. 4 is a front view thereof;
FIG. 5 is a rear view thereof;
FIG. 6 is a top view thereof;
FIG. 7 is a bottom view thereof;
FIG. 8 is a right side elevation view thereof; and,
FIG. 9 is a left side elevation view thereof.
The broken line showing of structural features is included for the purpose of illustrating non-claimed subject matter and forms no part of the claimed design.

1 Claim, 6 Drawing Sheets



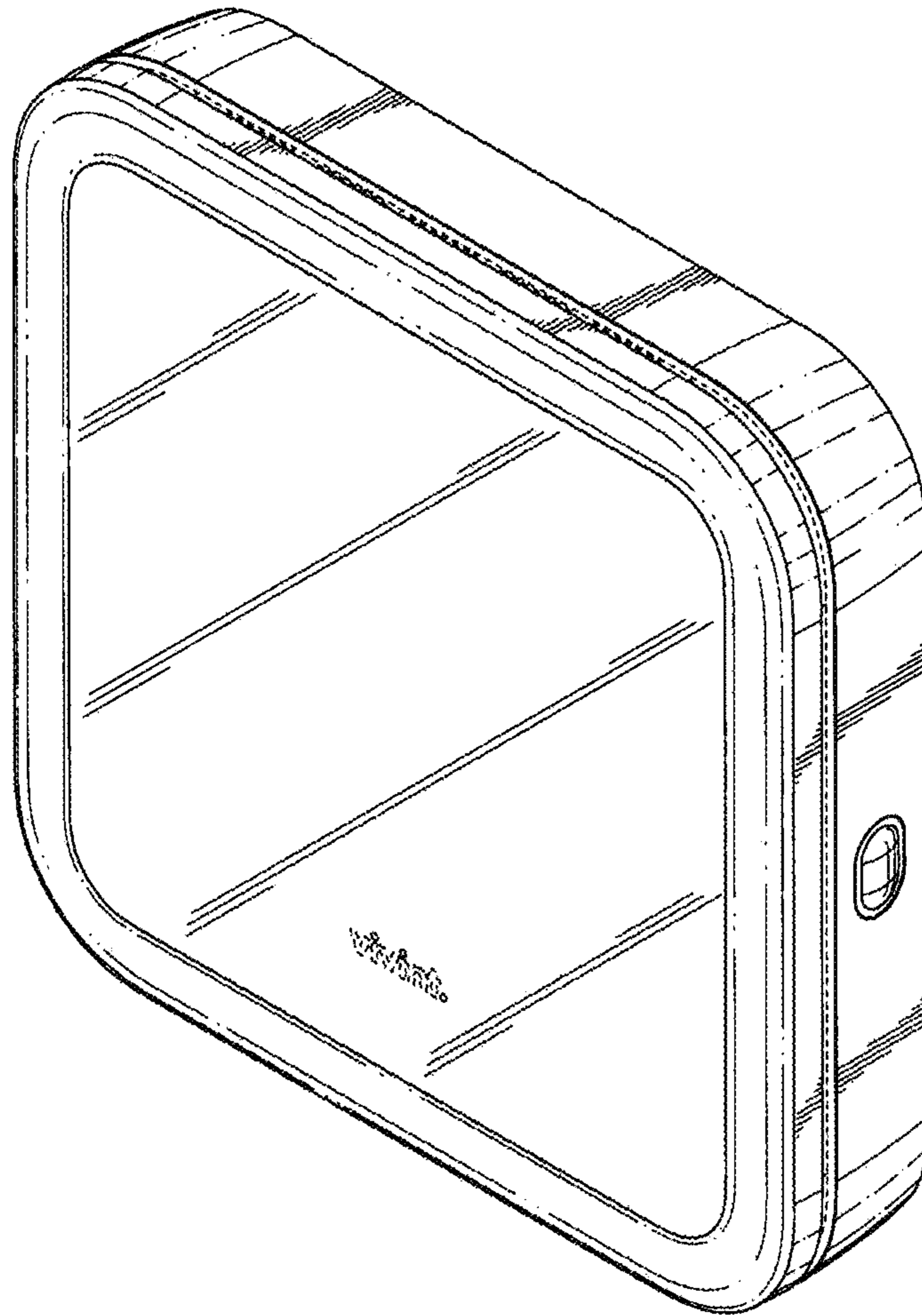


FIG. 1

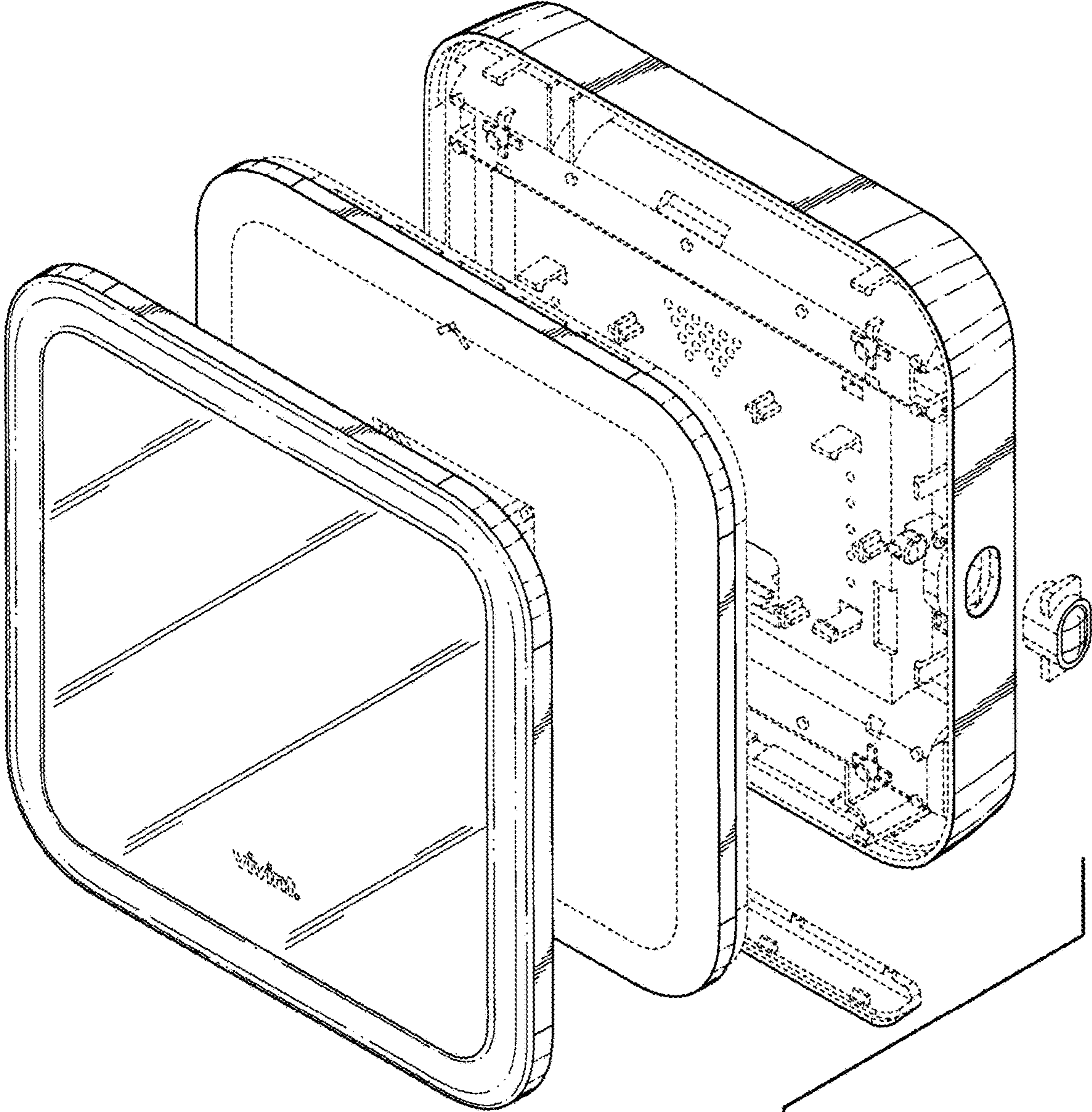


FIG. 2

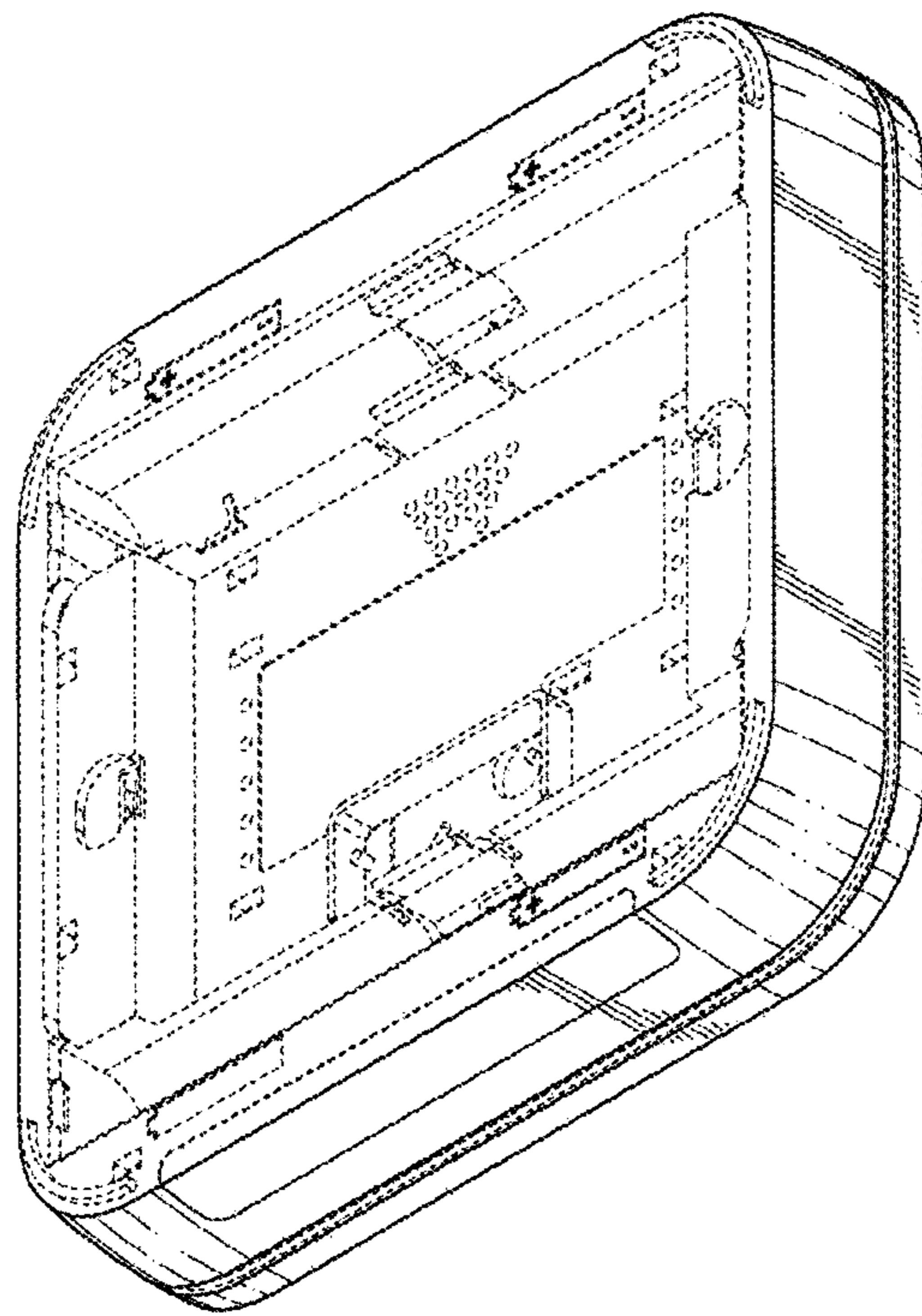


FIG. 3

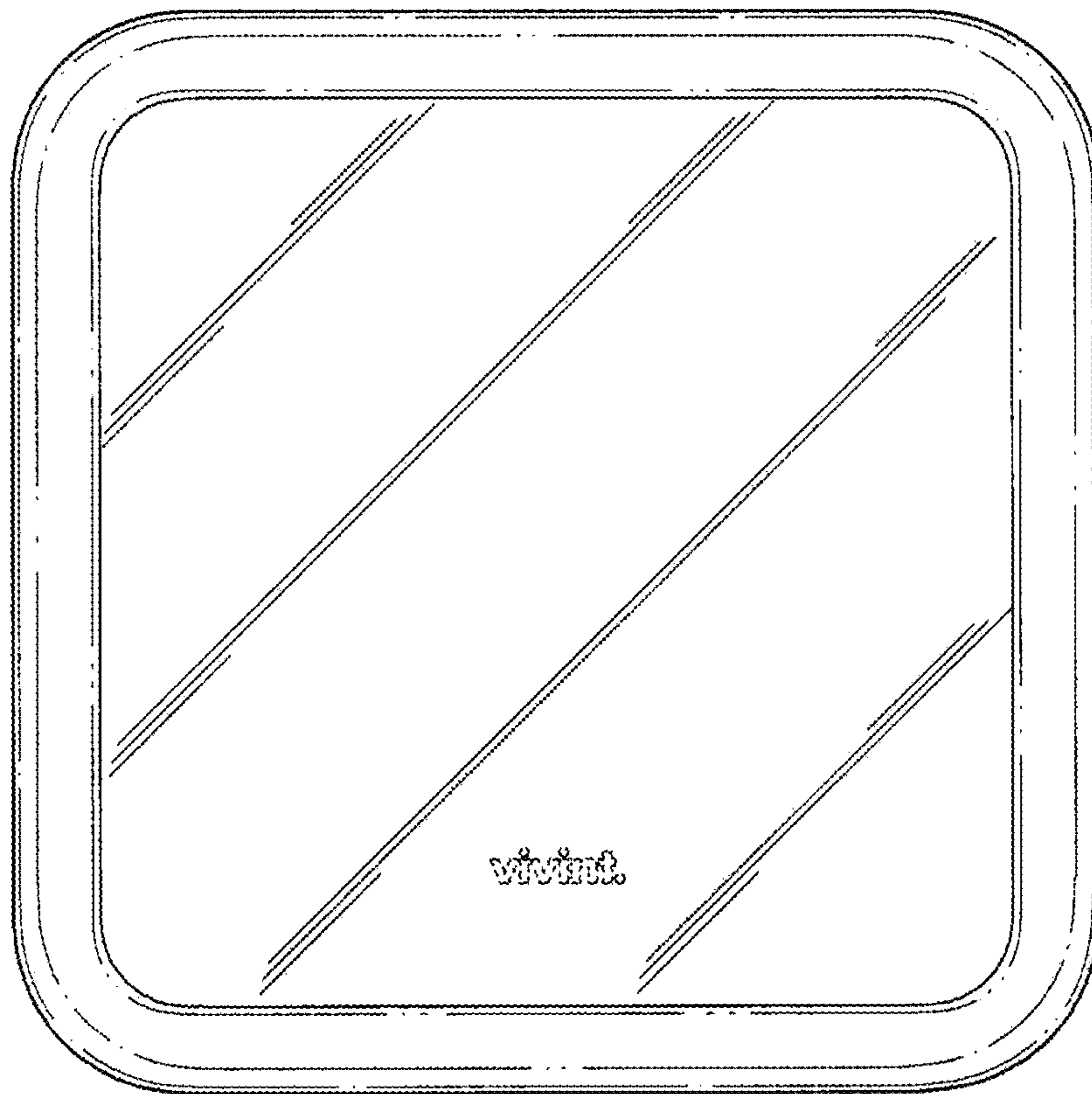


FIG. 4

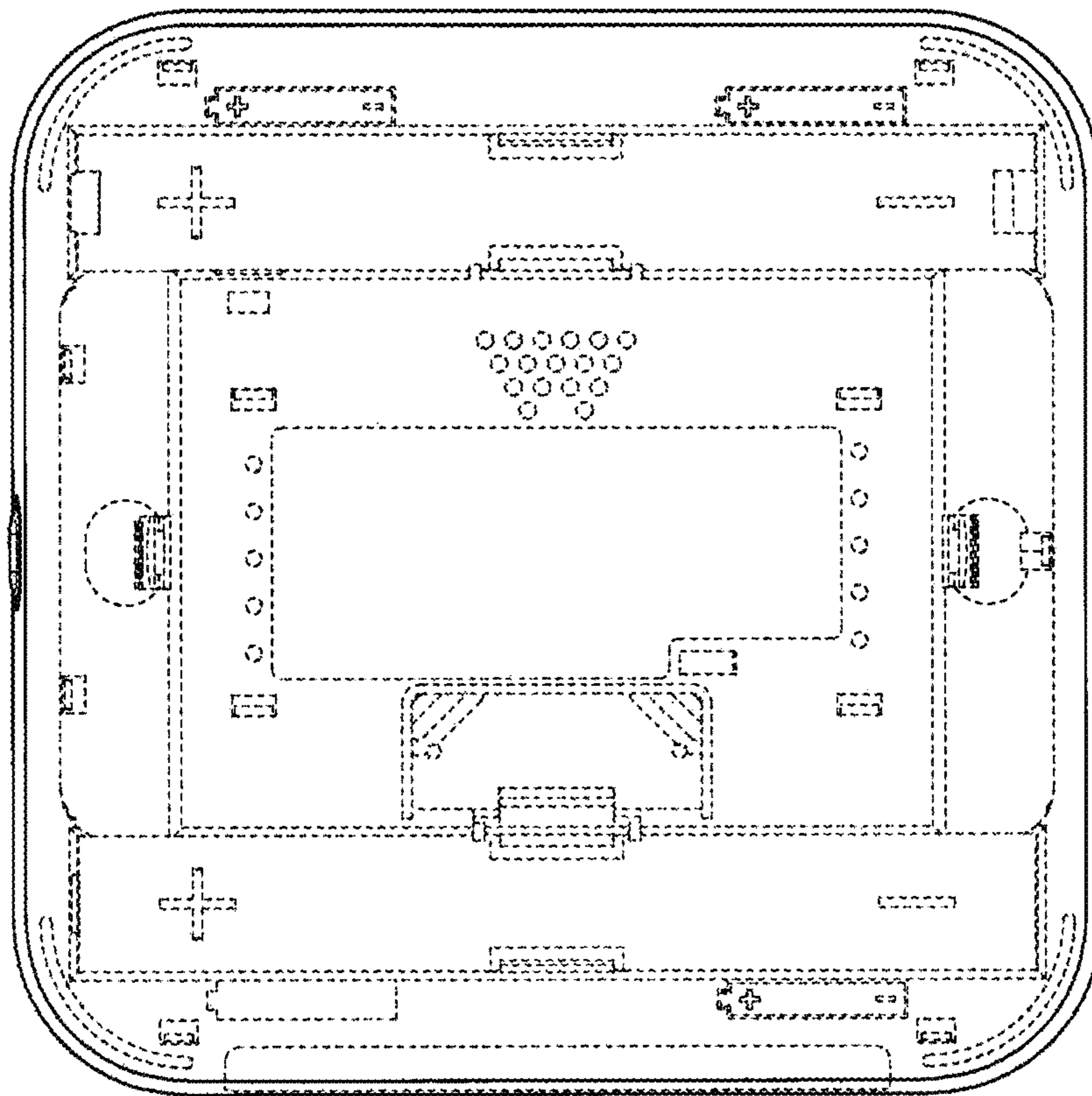


FIG. 5

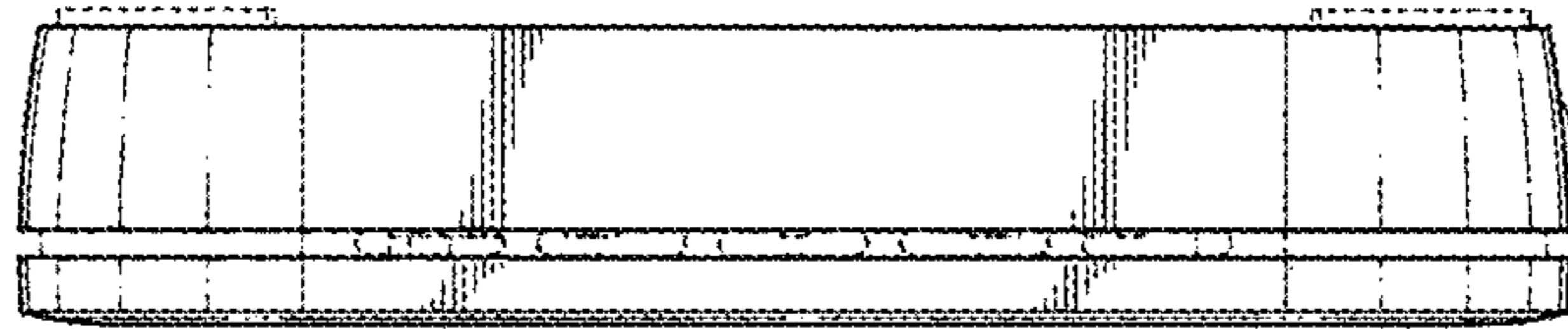


FIG. 6

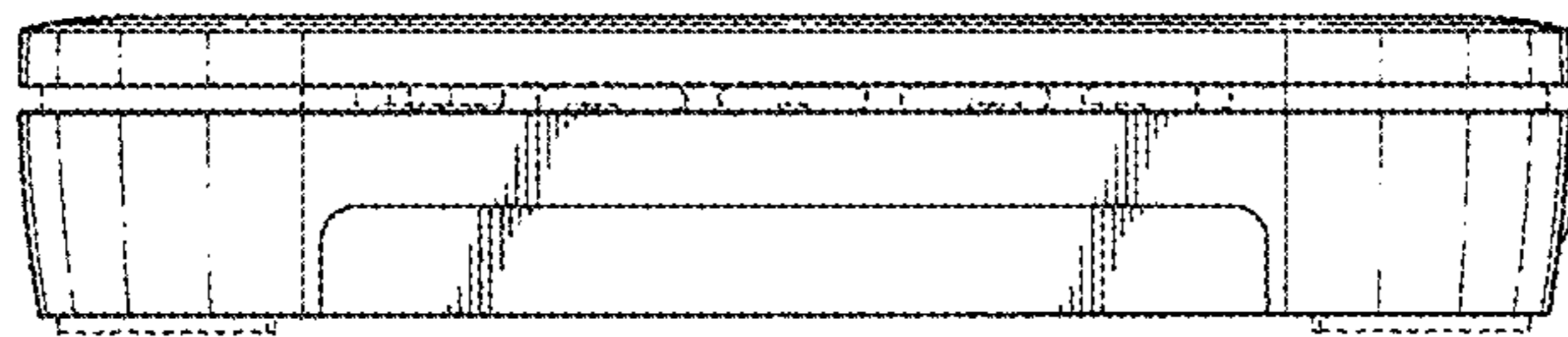


FIG. 7

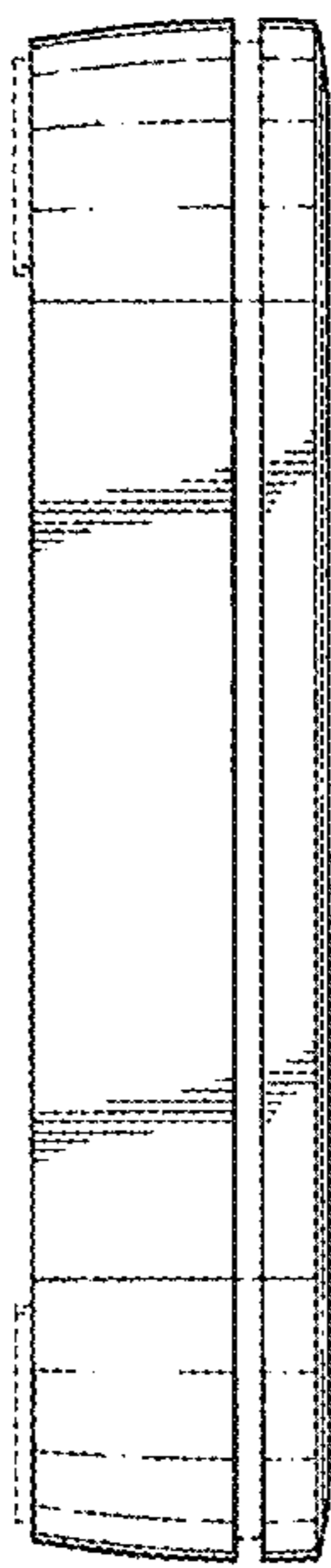


FIG. 8

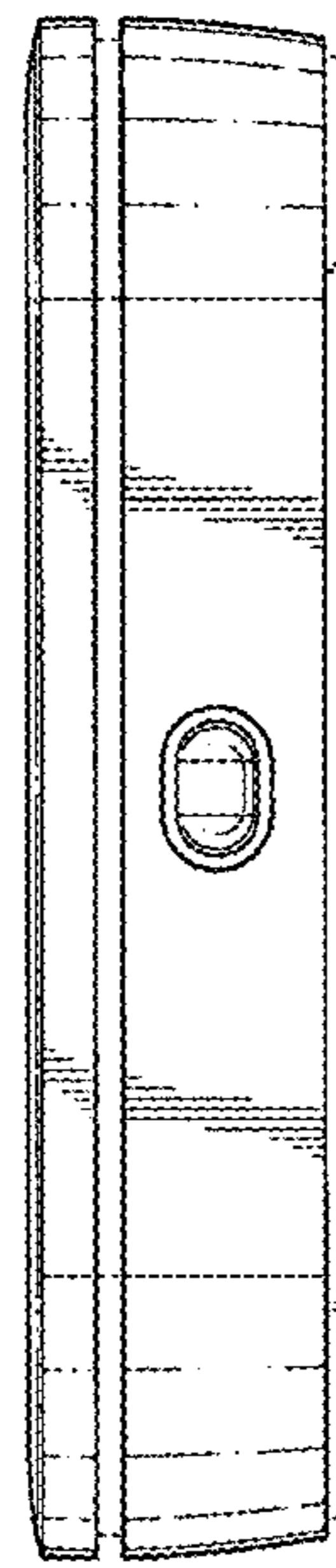


FIG. 9