



US00D802447S

(12) **United States Design Patent**
Puzder et al.

(10) **Patent No.:** **US D802,447 S**

(45) **Date of Patent:** **** Nov. 14, 2017**

(54) **MINIATURE SCOREBOARD**

(71) Applicants: **Michael Adam Puzder**, Alliston (CA);
Steve Koenig, Palgrave (CA)

(72) Inventors: **Michael Adam Puzder**, Alliston (CA);
Steve Koenig, Palgrave (CA)

(**) Term: **15 Years**

(21) Appl. No.: **29/580,346**

(22) Filed: **Oct. 7, 2016**

Related U.S. Application Data

(62) Division of application No. 29/532,323, filed on Jul. 6, 2015, now Pat. No. Des. 770,312.

(51) **LOC (10) Cl.** **21-01**

(52) **U.S. Cl.**
USPC **D10/46.1**

(58) **Field of Classification Search**
USPC D10/46, 46.1; 235/1 B; 116/222-225,
116/279, 280, DIG. 35; 273/281, 282.1,
273/287, 236, 148 A; 40/606.16, 617,
40/618; D21/302, 307
CPC . A63B 71/06; G09F 9/00; G09F 15/00; G09F
17/00
See application file for complete search history.

(56) **References Cited**

U.S. PATENT DOCUMENTS

D185,502 S * 6/1959 Koci D10/46.1
D190,659 S * 6/1961 Lapitsky 473/54

D198,692 S * 7/1964 Harkins D10/46.1
3,254,433 A * 6/1966 Saile, Jr. A63B 71/06
235/103
6,305,685 B1 * 10/2001 Motosko A63F 7/025
273/118 R
7,431,590 B2 * 10/2008 Gerhardt A63F 9/0641
434/247
D696,146 S * 12/2013 Iler D10/46.1
9,011,262 B2 * 4/2015 Peng A63D 15/003
473/28
D770,312 S * 11/2016 Puzder D10/46.1

* cited by examiner

Primary Examiner — Prabhakar Deshmukh

(74) *Attorney, Agent, or Firm* — Perry + Currier Inc.

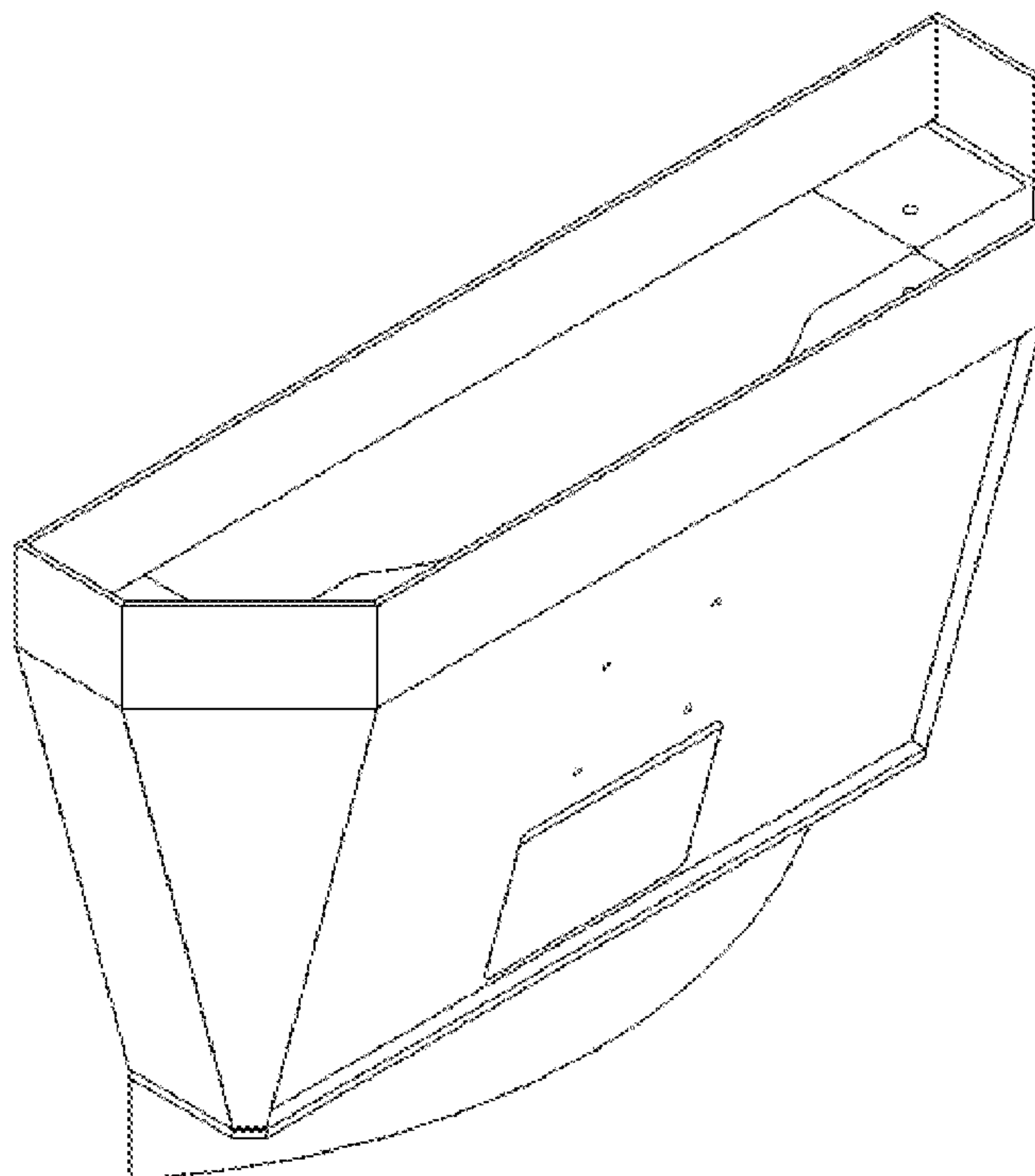
(57) **CLAIM**

What is claimed is the ornamental design for a miniature scoreboard, as shown and described.

DESCRIPTION

FIG. 1 is a perspective view of a miniature scoreboard showing our new design;
FIG. 2 is a front elevational view thereof;
FIG. 3 is a rear elevational view thereof;
FIG. 4 is a left side elevational view thereof;
FIG. 5 is a right side elevational view thereof;
FIG. 6 is a top plan view thereof; and,
FIG. 7 is a bottom plan view thereof.
Features in broken line do not form part of the design.

1 Claim, 3 Drawing Sheets



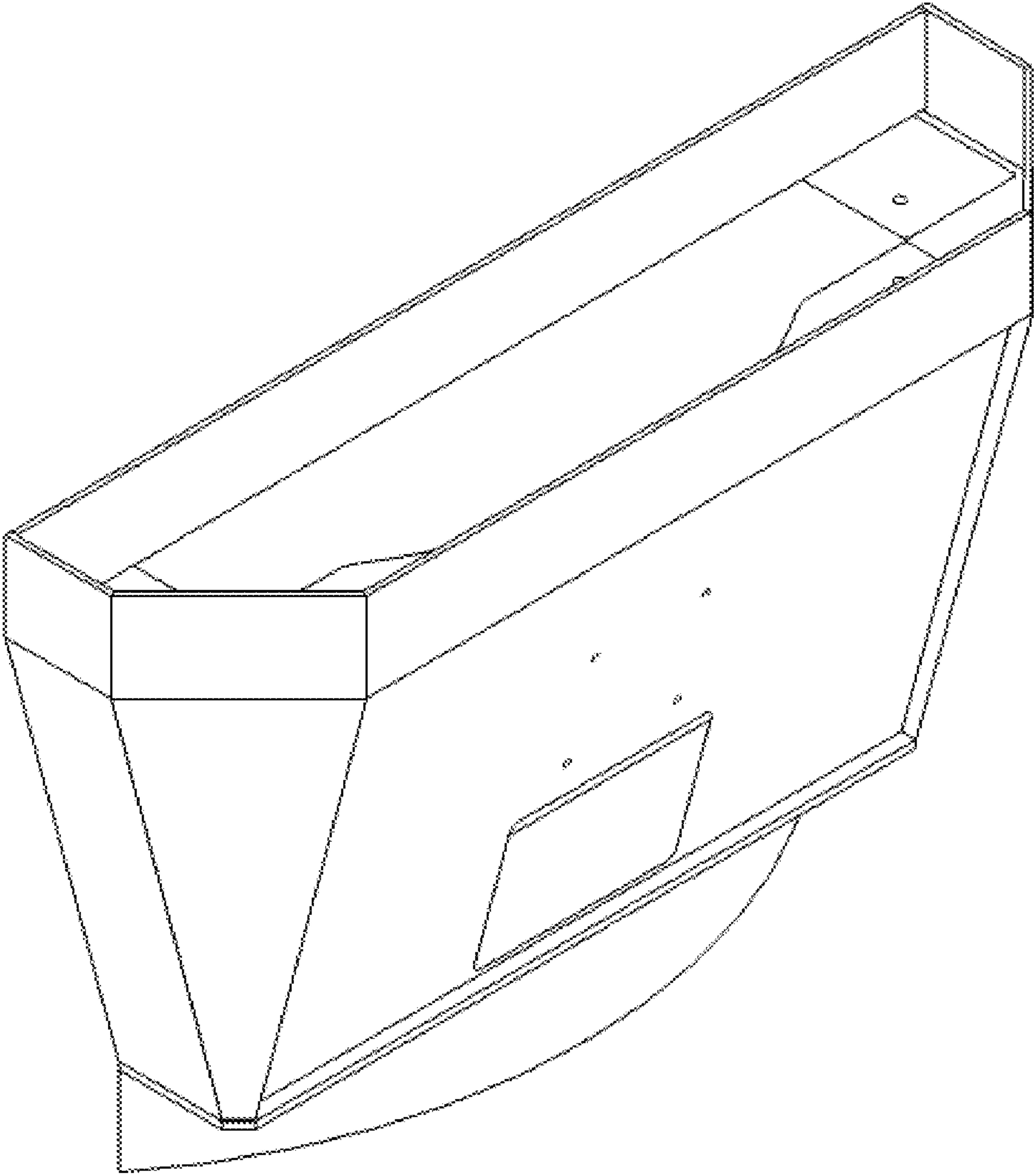


FIG. 1

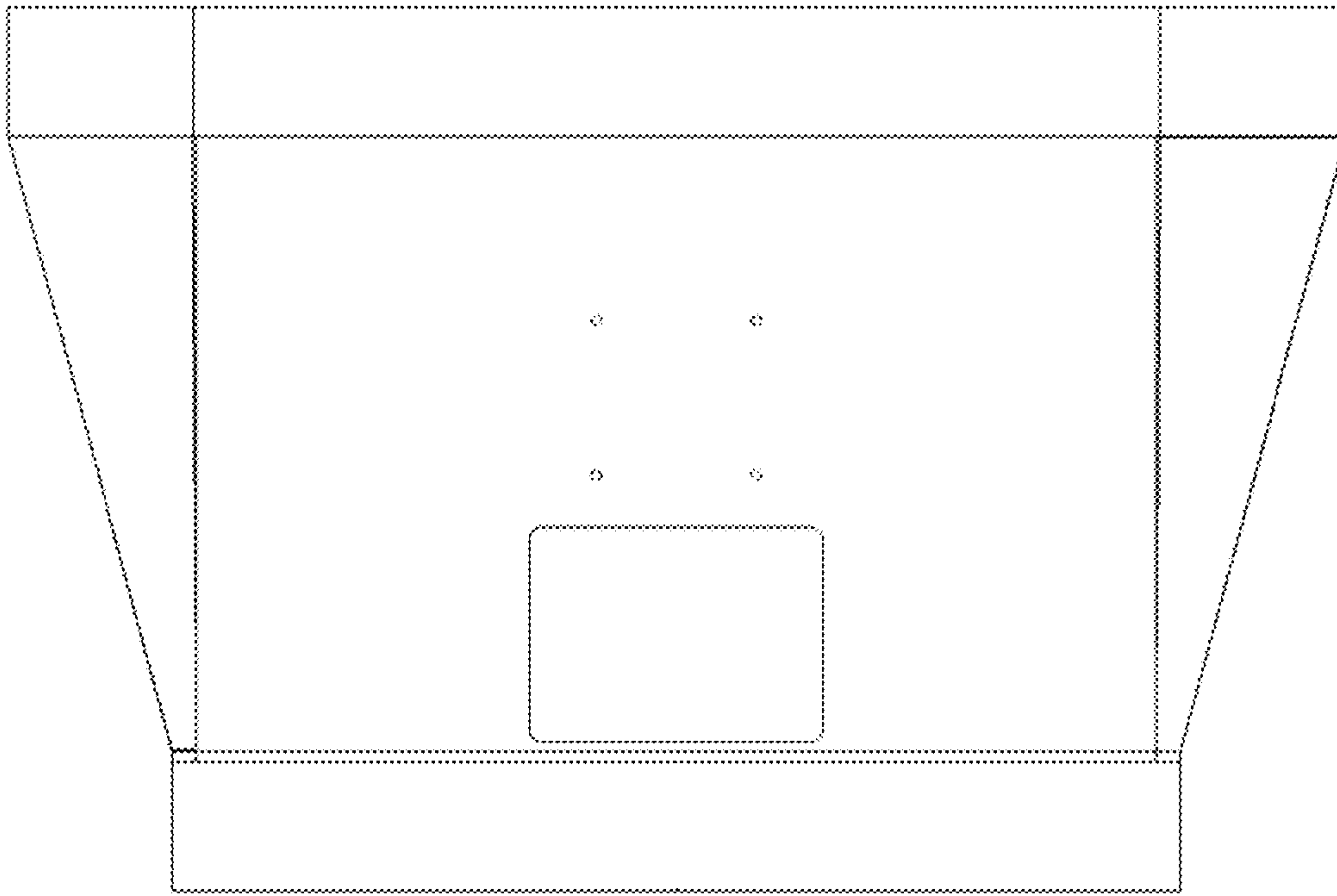


FIG. 2



FIG. 3

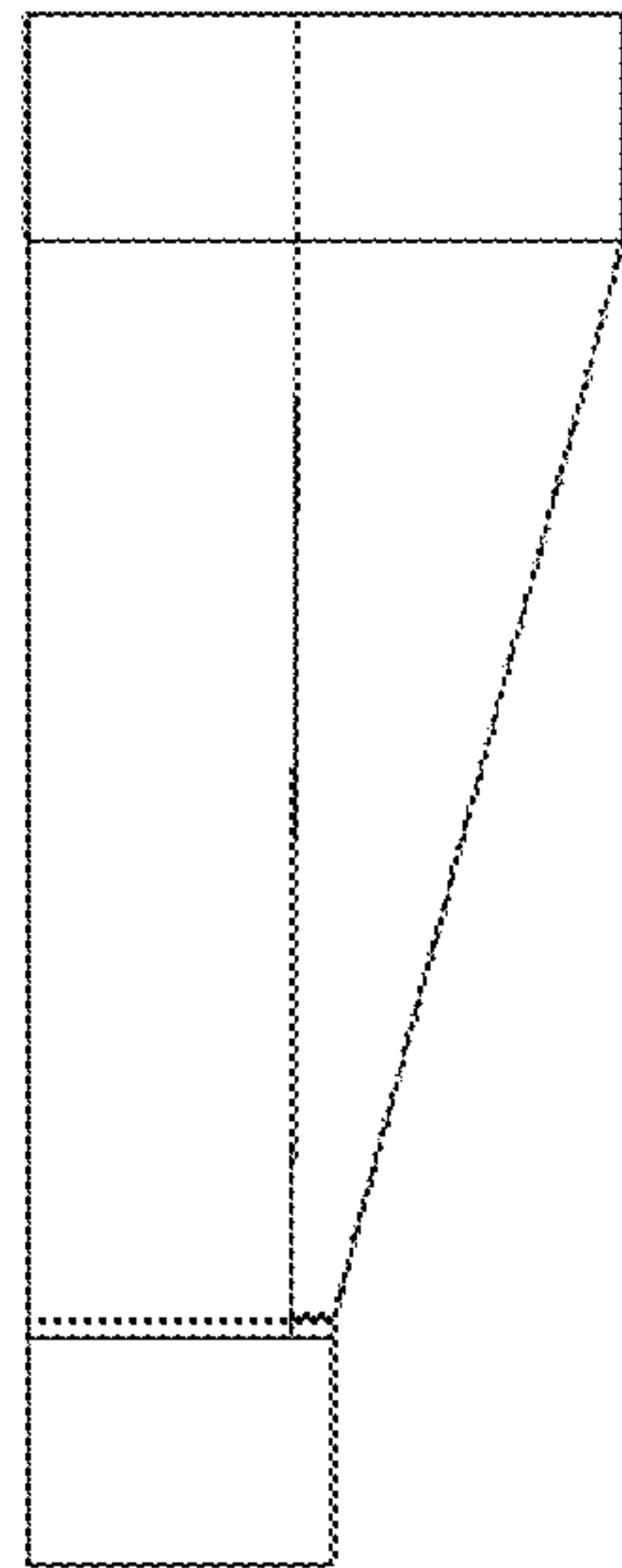


FIG. 4

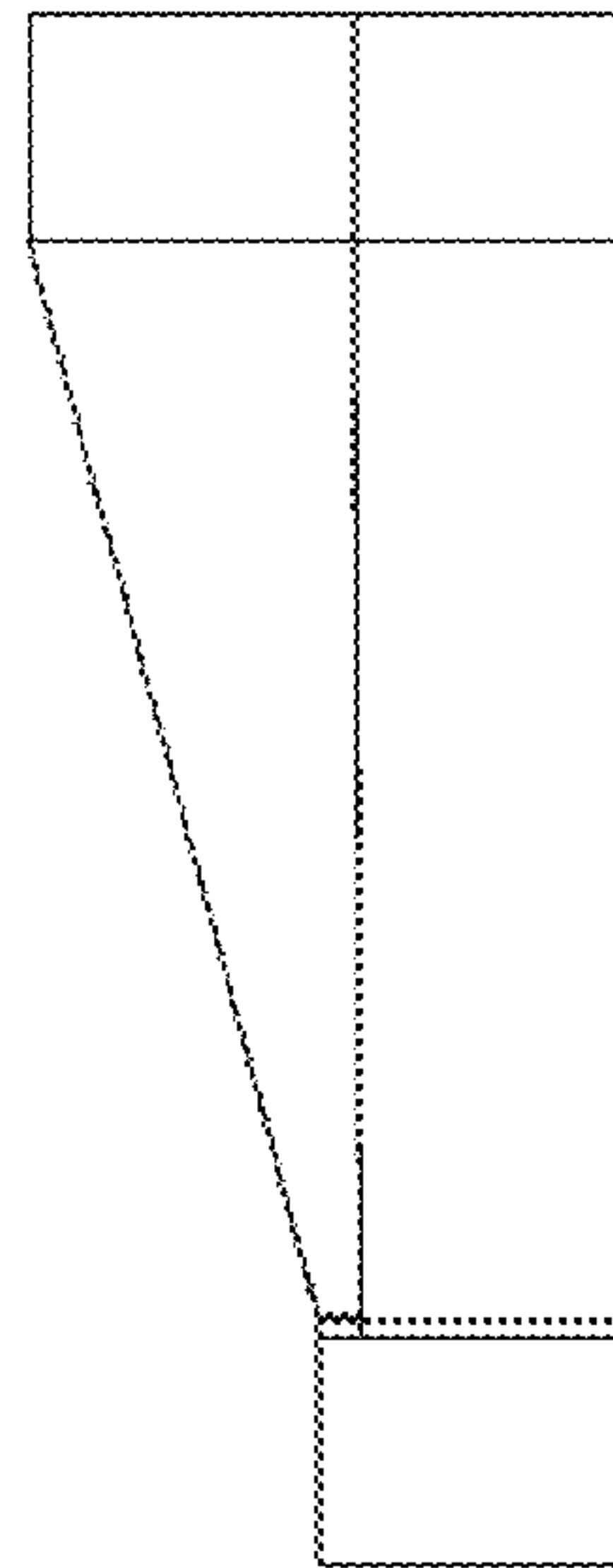


FIG. 5

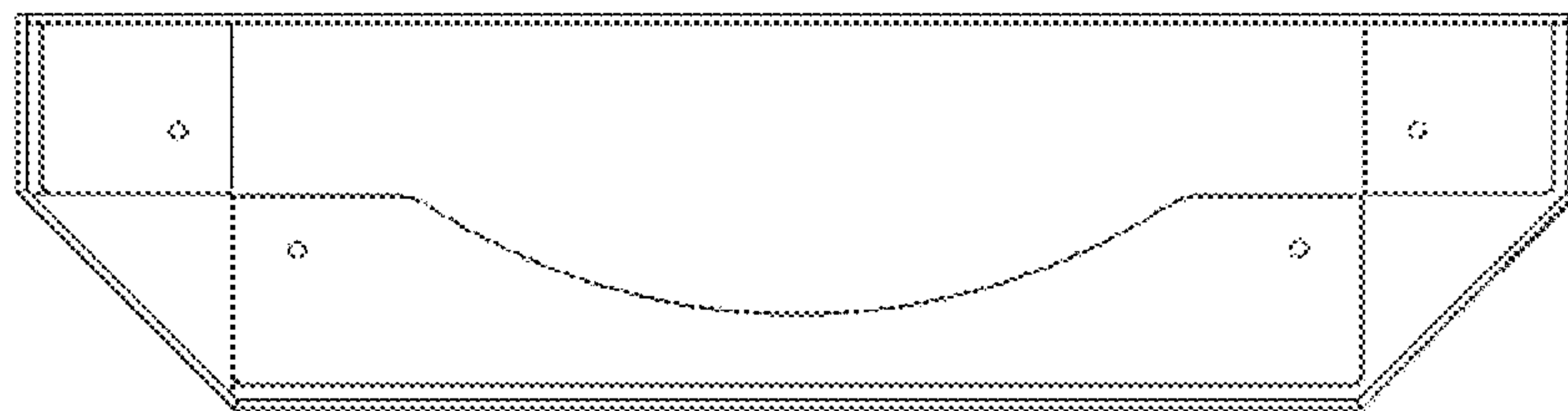


FIG. 6

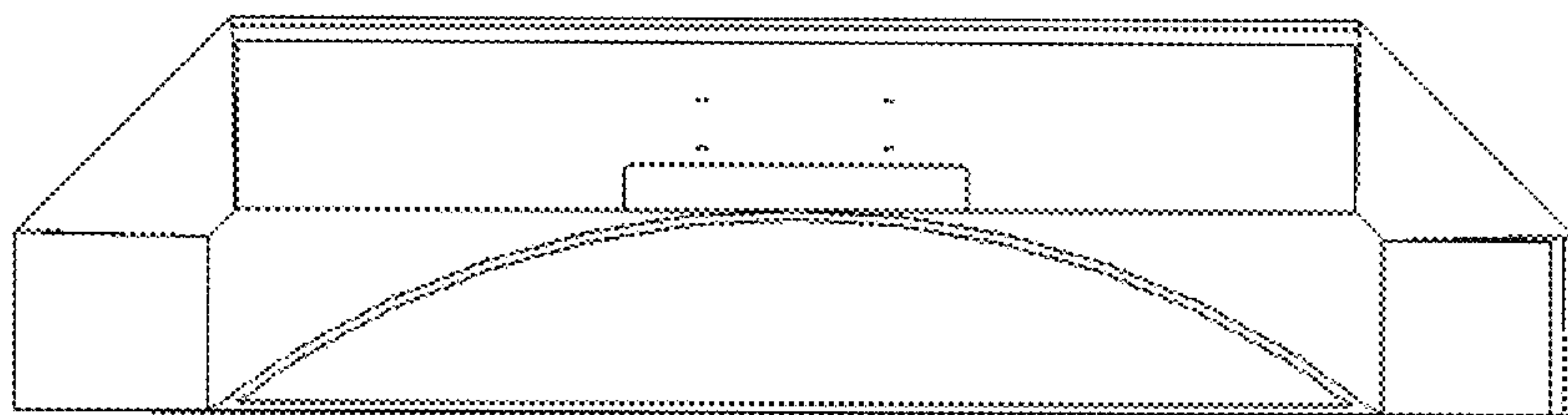


FIG. 7