



US00D802446S

(12) **United States Design Patent** (10) **Patent No.:** **US D802,446 S**
El Alej (45) **Date of Patent:** **** Nov. 14, 2017**

(54) **WATCH**
(71) Applicant: **Mohamed Ali El Alej**, Châtelaine (CH)
(72) Inventor: **Mohamed Ali El Alej**, Châtelaine (CH)
(73) Assignee: **Ali & Co Geneve SA** (CH)
(**) Term: **15 Years**
(21) Appl. No.: **29/574,713**

D514,974 S * 2/2006 Andreatta D10/126
D518,388 S * 4/2006 Bitetto D10/31
D545,222 S * 6/2007 Parmigiani D10/38
D584,169 S * 1/2009 Rabati D10/32
D602,798 S * 10/2009 Garzon D10/126
D618,118 S * 6/2010 Dolce D10/38
D621,284 S * 8/2010 Cerrato D10/38
D624,440 S * 9/2010 Wunderman D10/32
D631,374 S * 1/2011 Hegi D10/38
D668,557 S * 10/2012 Goto D10/32
D694,128 S * 11/2013 Liberman D10/24
D787,954 S * 5/2017 Morimoto D10/30

* cited by examiner

(22) Filed: **Aug. 18, 2016**
(51) **LOC (10) Cl.** **10-02**
(52) **U.S. Cl.**
USPC **D10/30**
(58) **Field of Classification Search**
USPC D10/1-29, 54, 65, 70, 122-132
CPC G04B 17/00; G04B 17/02; G04B 17/005;
G04B 17/285; G04B 37/00; G04B 37/00;
G04B 37/0058; G04B 45/00; G04B
45/02; G04B 45/038; G04B 45/0069;
G04B 45/0076; G04B 29/00
See application file for complete search history.

Primary Examiner — Sheryl Lane
Assistant Examiner — Calvin E Vansant
(74) *Attorney, Agent, or Firm* — Galbreath Law Offices,
P.C.; John A. Galbreath

(57) **CLAIM**

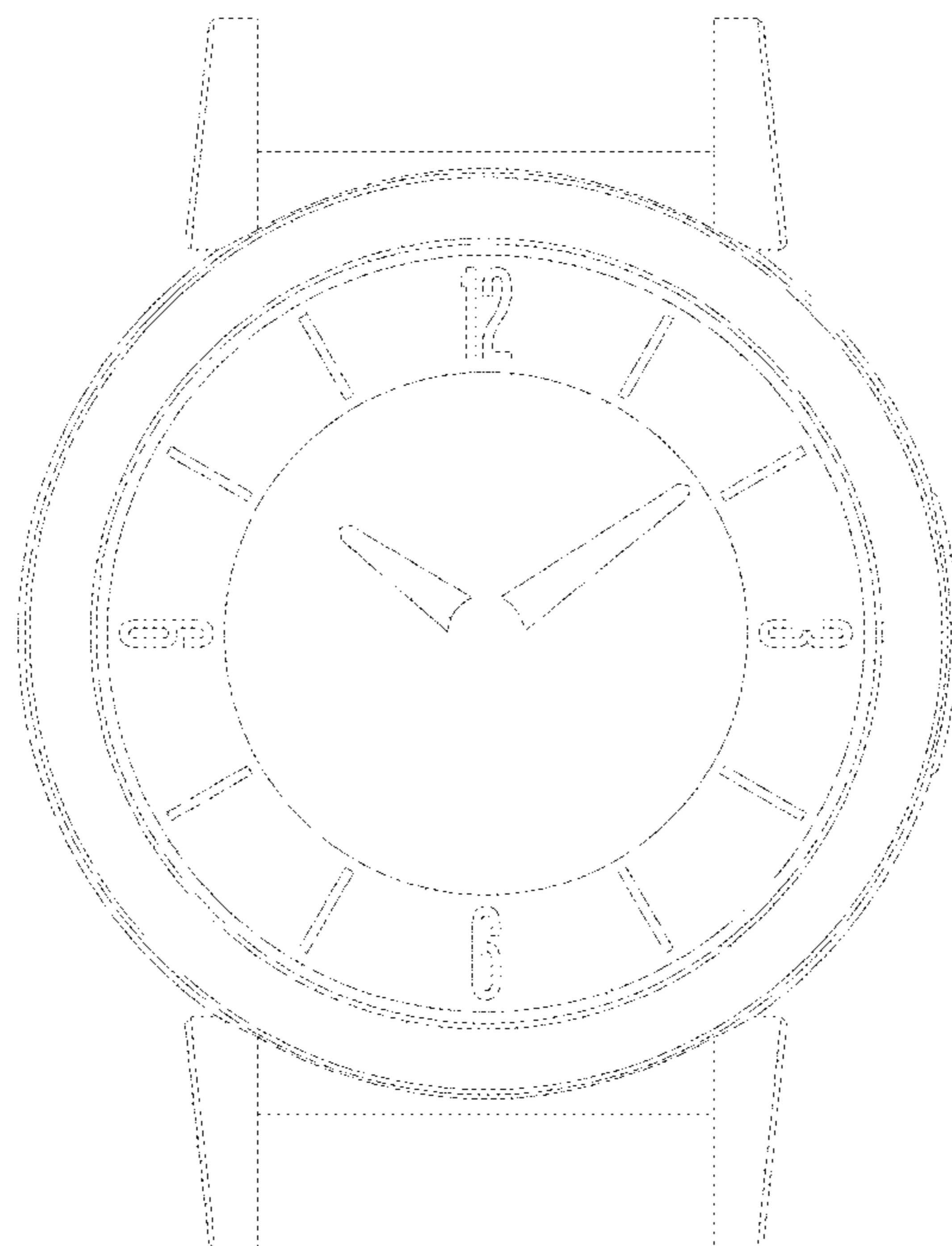
The ornamental design for a watch, as shown and described.

DESCRIPTION

(56) **References Cited**
U.S. PATENT DOCUMENTS
4,473,304 A * 9/1984 Ketner G04B 19/046
368/221
D289,740 S * 5/1987 Ketner D10/30
D348,399 S * 7/1994 Chen D10/127
D352,469 S * 11/1994 Schlup D10/30
D358,777 S * 5/1995 Polenber D10/39
D377,614 S * 1/1997 Wunderman D10/32
D478,012 S * 8/2003 Tavenas D10/39

FIG. 1 is a front view of a watch showing my new design;
FIG. 2 is a back view thereof;
FIG. 3 is a left side view thereof;
FIG. 4 is a right side view thereof;
FIG. 5 is a top view thereof;
FIG. 6 is a bottom view thereof;
FIG. 7 is a back perspective view thereof; and,
FIG. 8 is a front perspective view thereof.

1 Claim, 8 Drawing Sheets



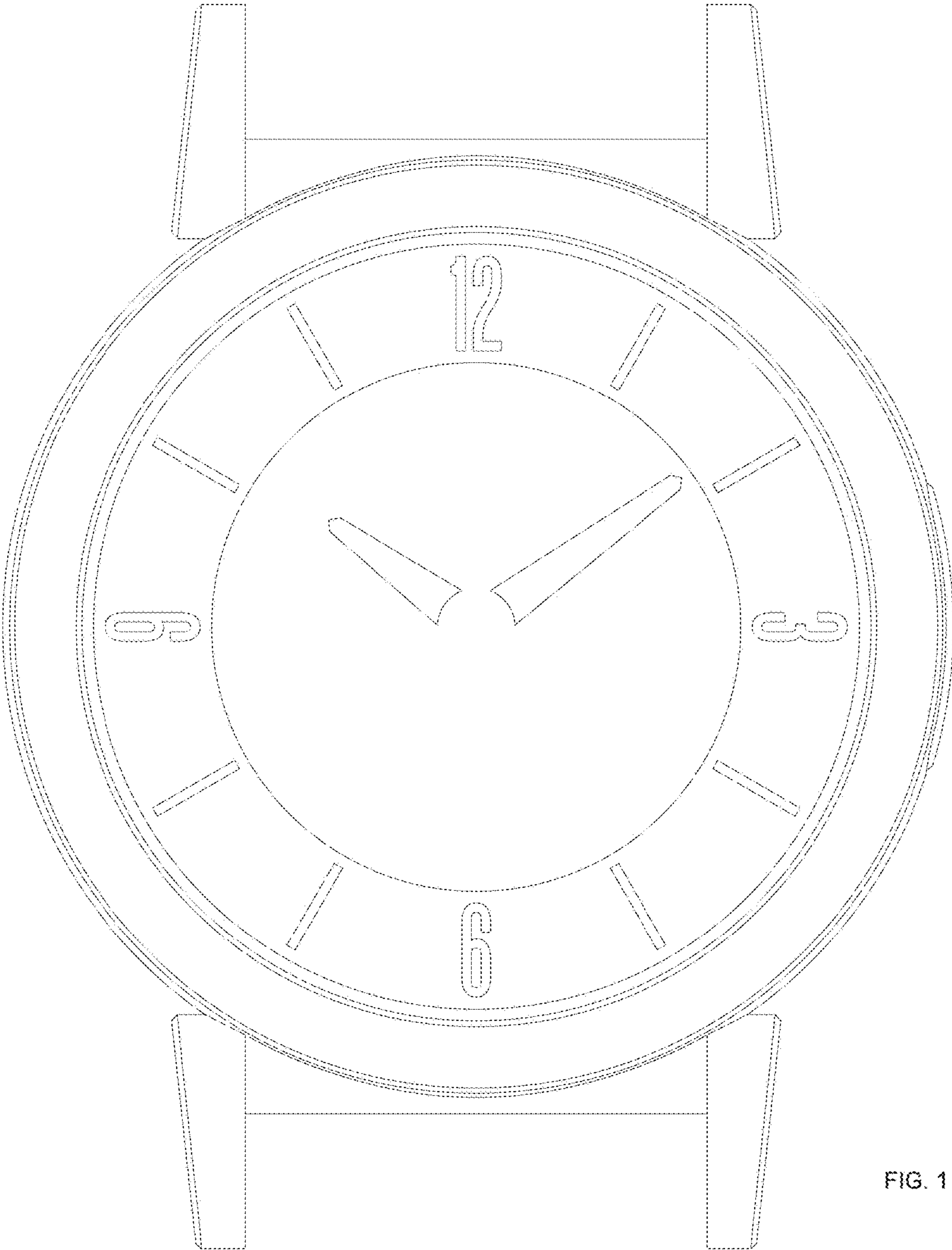


FIG. 1

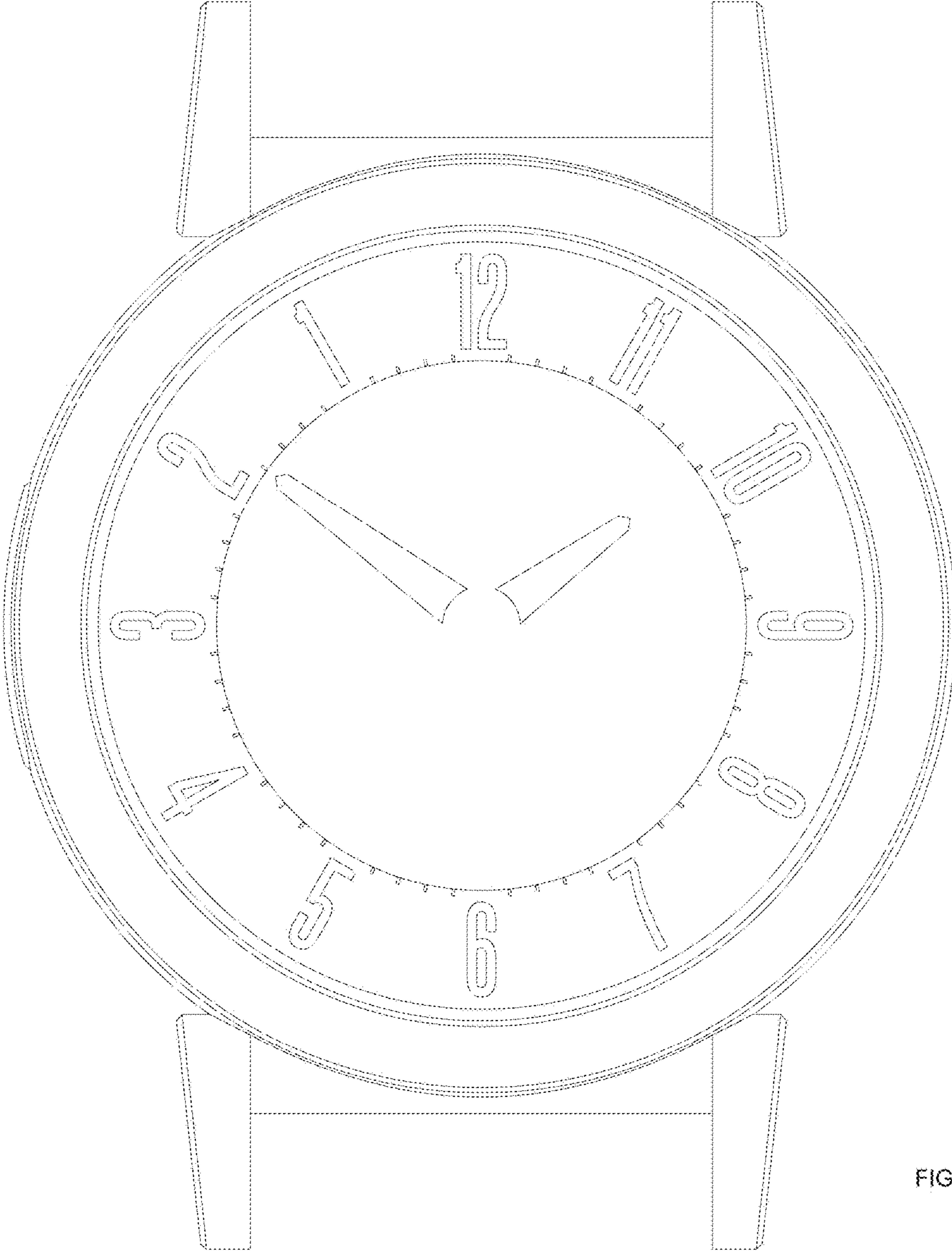


FIG. 2

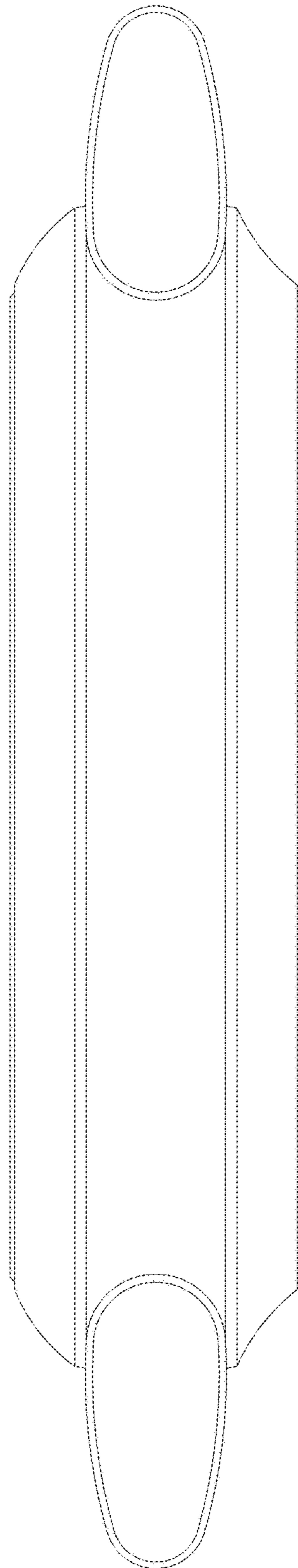


FIG. 3

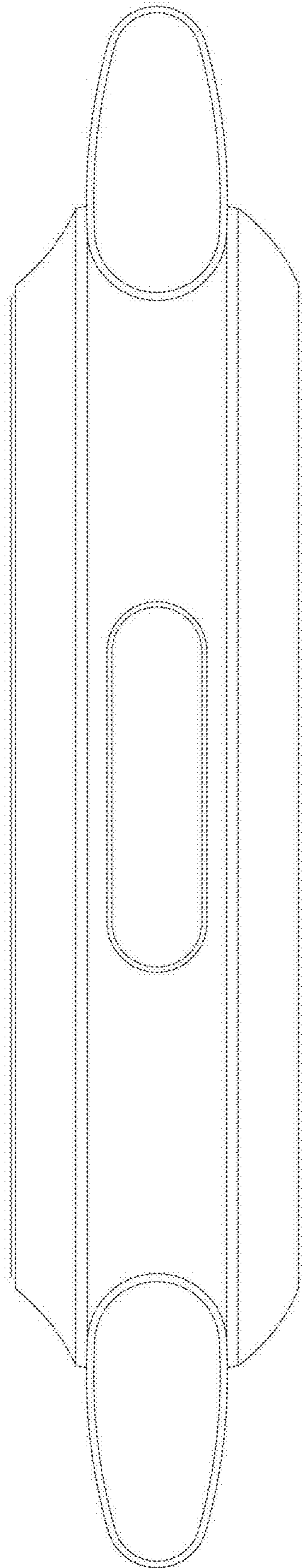


FIG. 4

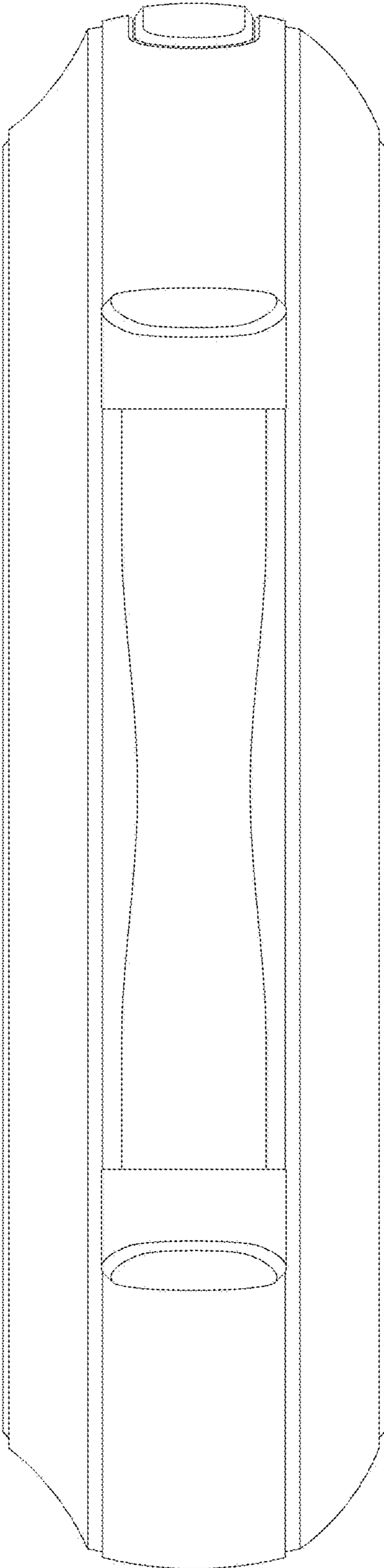


FIG. 5

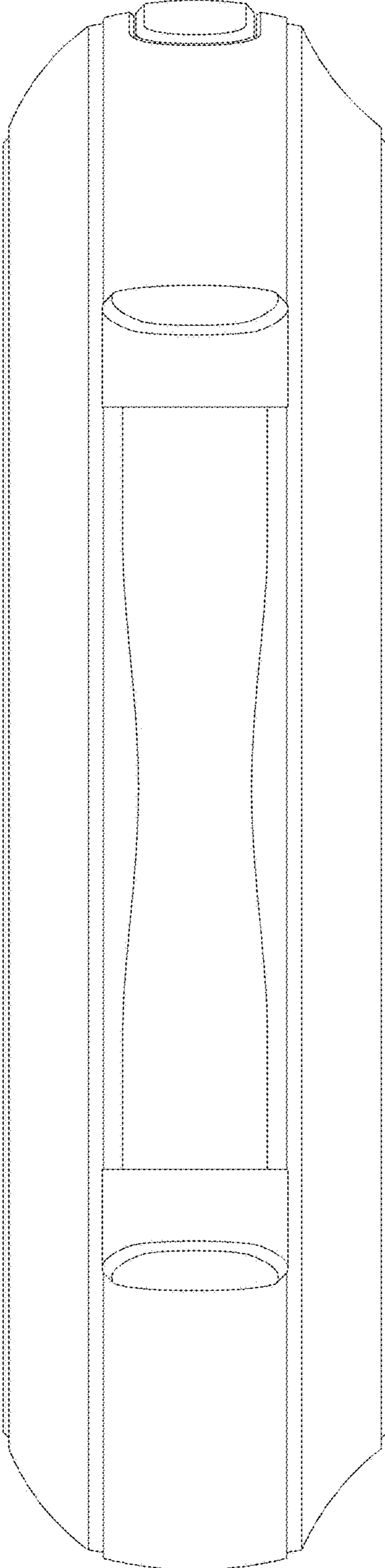


FIG. 6

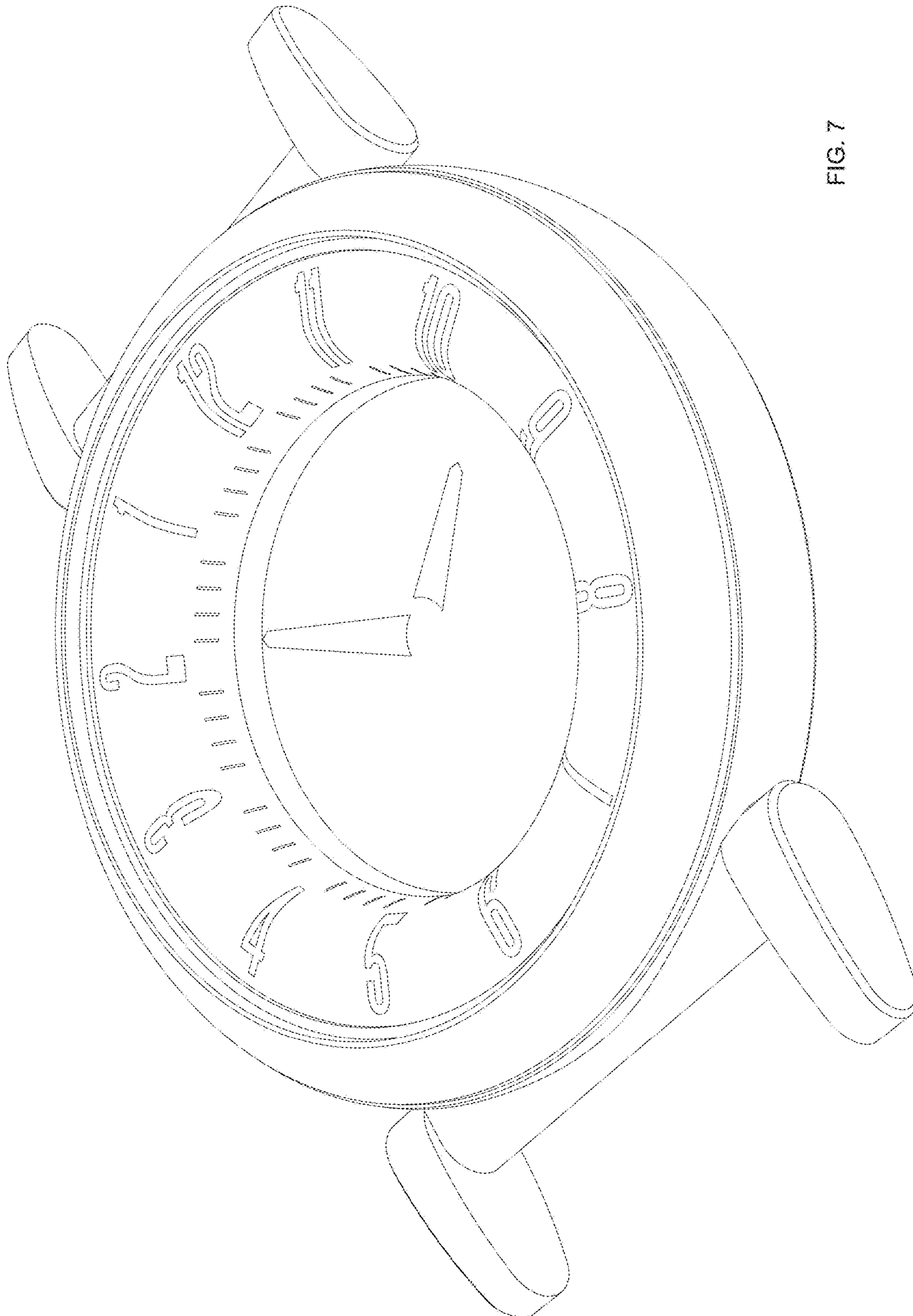


FIG. 7

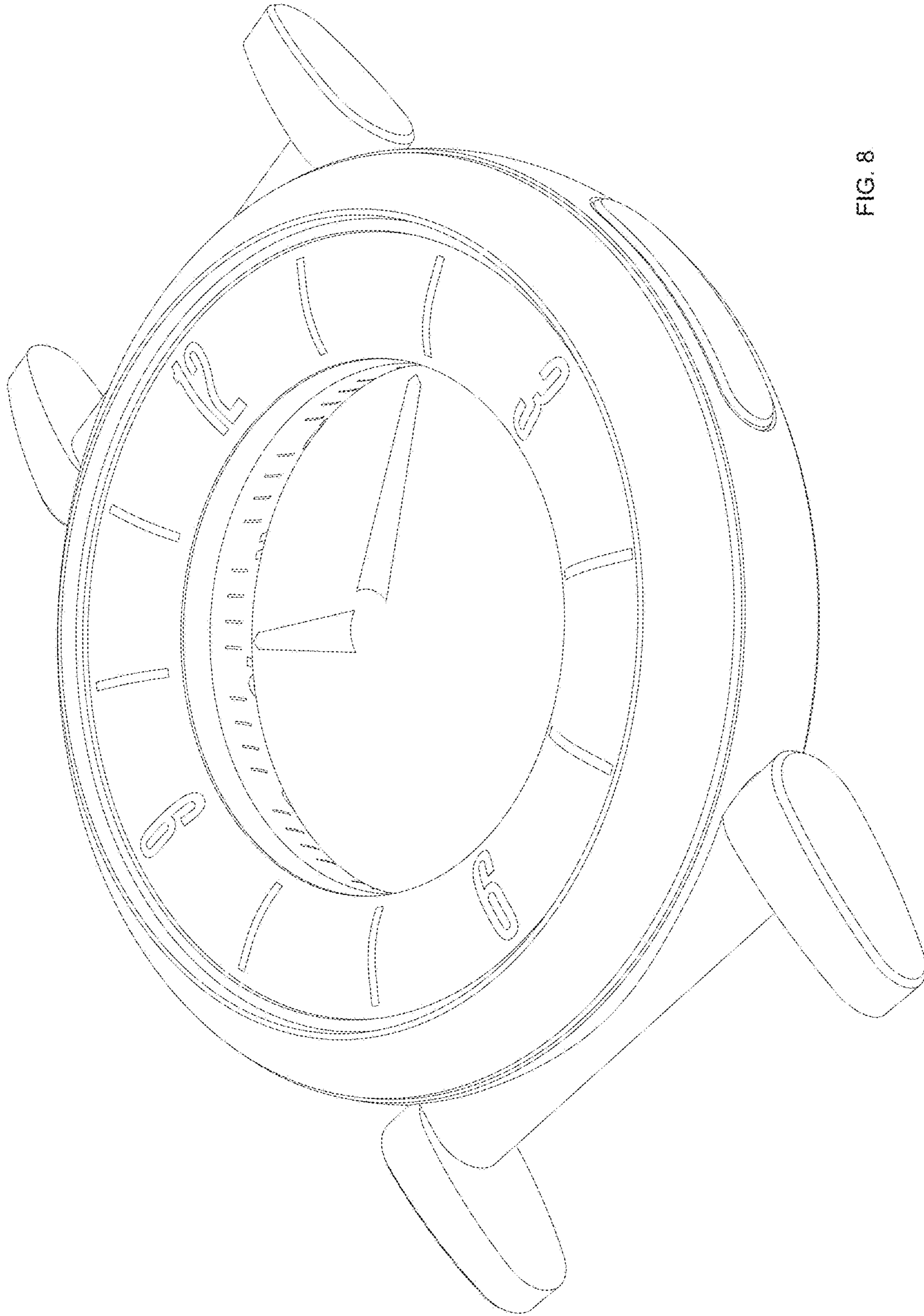


FIG. 8