



US00D802441S

(12) **United States Design Patent**
Kikuta

(10) **Patent No.:** **US D802,441 S**

(45) **Date of Patent:** **** Nov. 14, 2017**

(54) **BAG**

(71) Applicant: **Marna Inc.**, Tokyo (JP)

(72) Inventor: **Minami Kikuta**, Tokyo (JP)

(73) Assignee: **Marna Inc.**, Tokyo (JP)

(**) Term: **15 Years**

(21) Appl. No.: **29/559,577**

(22) Filed: **Mar. 30, 2016**

(30) **Foreign Application Priority Data**

Oct. 2, 2015 (JP) 2015-021766

Jan. 13, 2016 (JP) 2016-000540

(51) **LOC (10) Cl.** **09-05**

(52) **U.S. Cl.**
USPC **D9/703**

(58) **Field of Classification Search**
USPC D9/702-714, 414-415, 417-418, 737,
D9/424, 430-433, 730-732, 756, 761;
D7/549, 553.2, 590, 602; D3/201, 203.1,
D3/203.3, 303, 202; 206/527, 4.27, 807,
206/260, 811, 103, 203, 207; 220/23.4,
220/500, 666; 229/120.02, 120.011,
229/87.06; 426/114-115, 119, 120;
222/92, 107, 215, 206

CPC B65D 85/00; B65D 75/00; B65D 33/00;
B65D 33/04; B65D 33/24; B65D 33/16;
B65D 33/12; B65D 33/008; B65D 33/06;
B65D 25/04; B65D 31/00; B65D 31/005

See application file for complete search history.

(56) **References Cited**

U.S. PATENT DOCUMENTS

D139,612 S * 12/1944 Norton D3/244

D270,496 S * 9/1983 Hyers D3/246

D517,420 S * 3/2006 Scheider D3/240
D576,888 S * 9/2008 Helfman D9/601
D600,135 S * 9/2009 Valentine D9/631
D747,604 S * 1/2016 Kurtz D3/233
D764,942 S * 8/2016 Bacchini D9/706

FOREIGN PATENT DOCUMENTS

HK 0312285.0 12/2003
JP D1435474 3/2012
KR 30-0391007 9/2005

OTHER PUBLICATIONS

Orange Page, Jun. 17, 2012, Japan, (3 pages).

* cited by examiner

Primary Examiner — Abraham Bahta

(74) *Attorney, Agent, or Firm* — Kilyk & Bowersox,
P.L.L.C.

(57) **CLAIM**

The ornamental design for a bag, as shown and described.

DESCRIPTION

FIG. 1 is a perspective view of a bag showing an embodiment of my new design;

FIG. 2 is a front elevation view of the embodiment;

FIG. 3 is a back elevation view of the embodiment;

FIG. 4 is a top plan view of the embodiment;

FIG. 5 is a bottom plan view of the embodiment;

FIG. 6 is a right side elevation view of the embodiment;

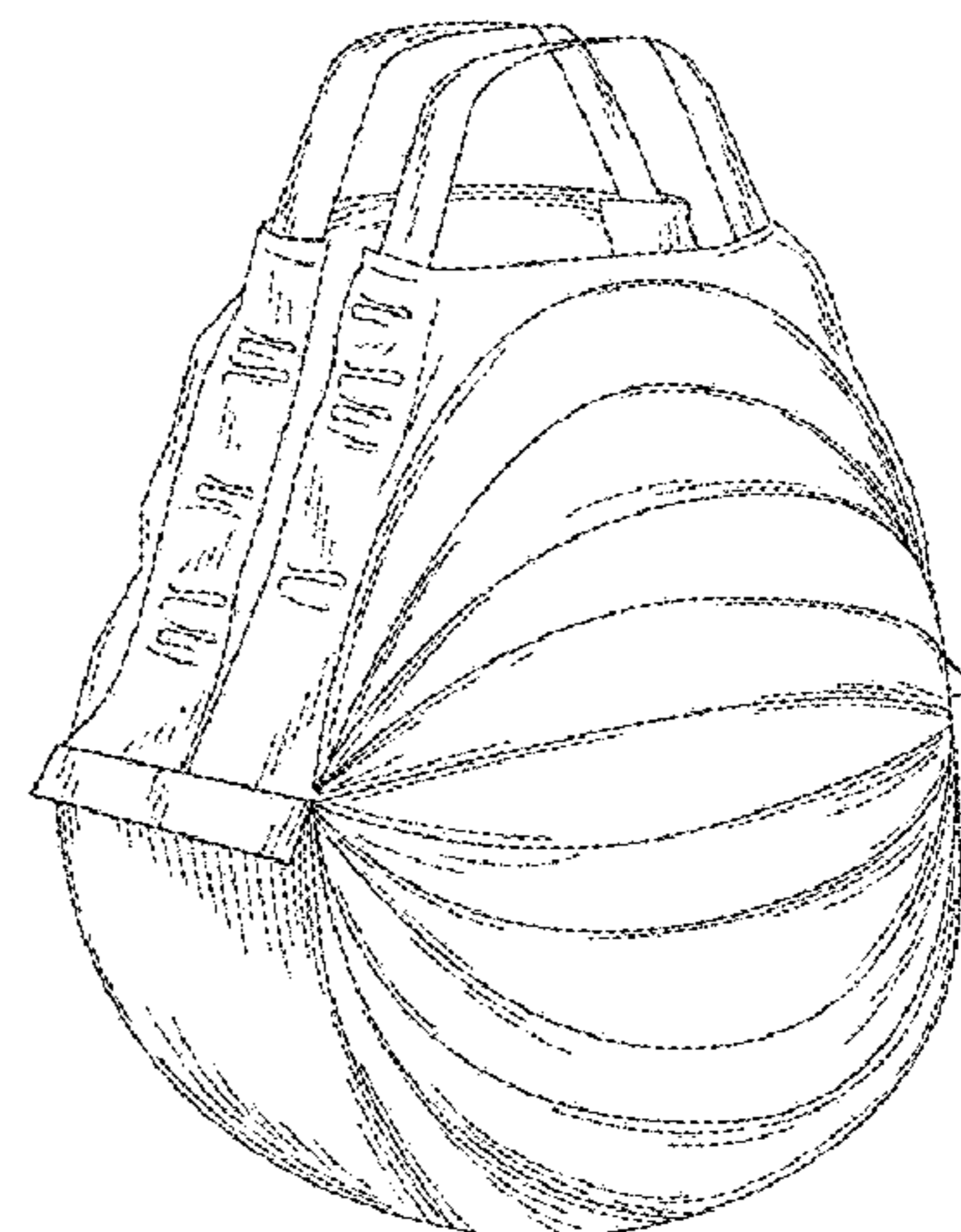
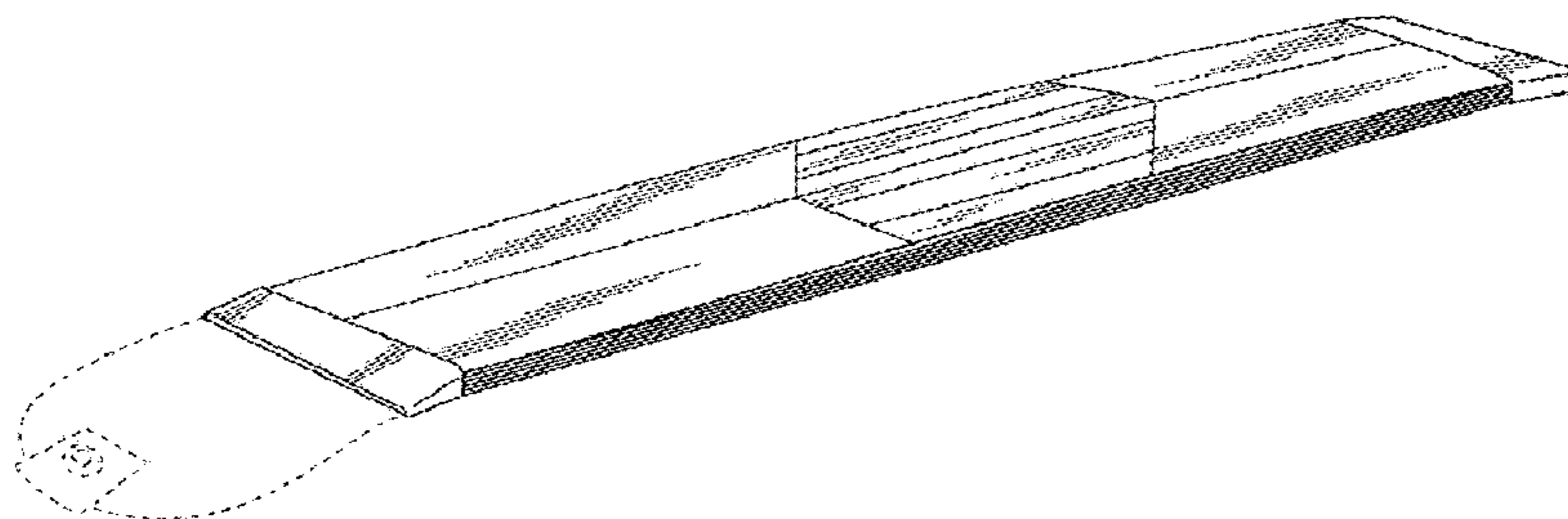
FIG. 7 is a left side elevation view of the embodiment;

FIG. 8 is a perspective view of the embodiment in a typical configuration for actual use as a bag; and,

FIG. 9 is a perspective view of the embodiment in folded configuration.

The broken lines are for purposes of illustration only and form no part of the claimed design.

1 Claim, 9 Drawing Sheets



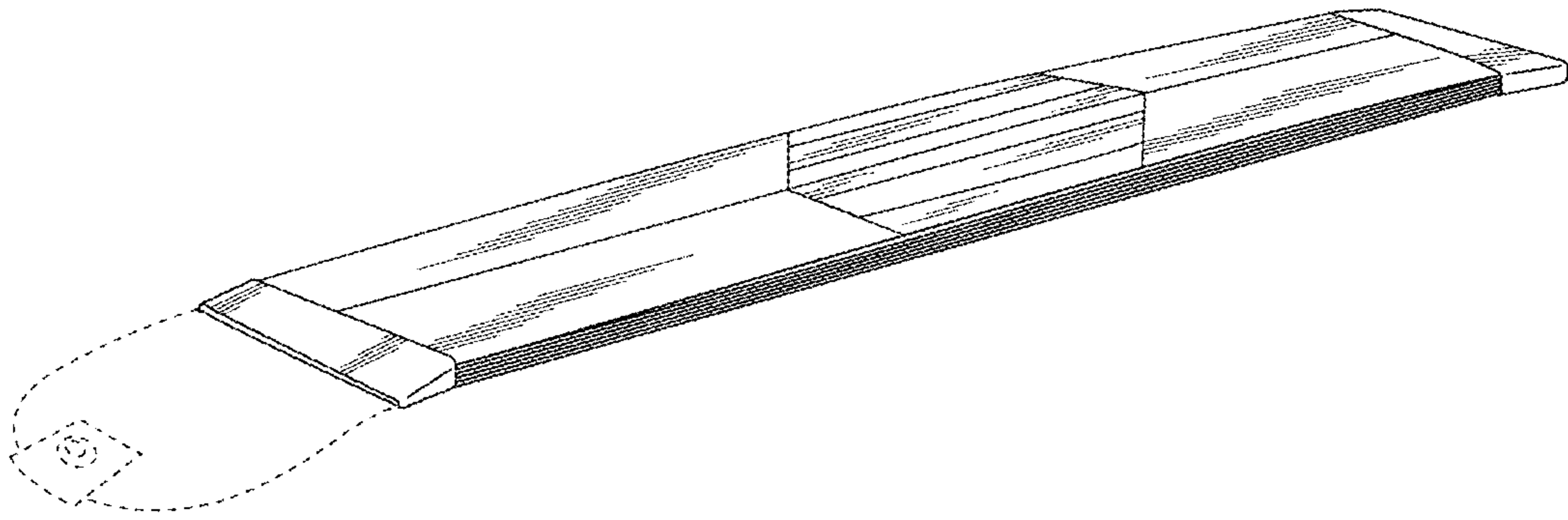


FIG. 1

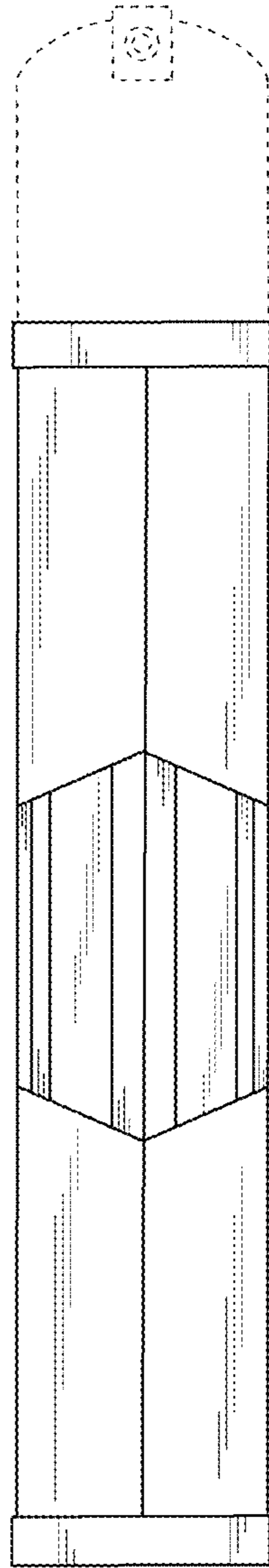


FIG. 2

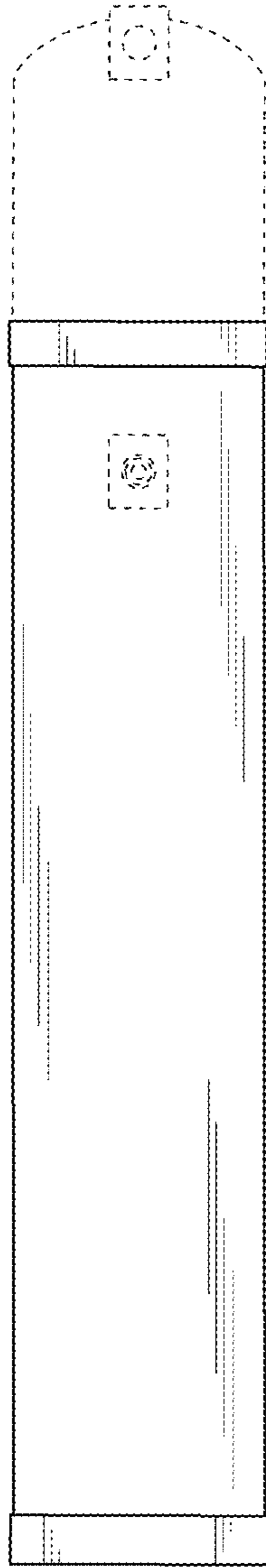


FIG. 3

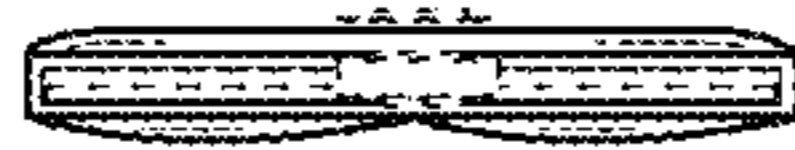


FIG. 4



FIG. 5



FIG. 6



FIG. 7

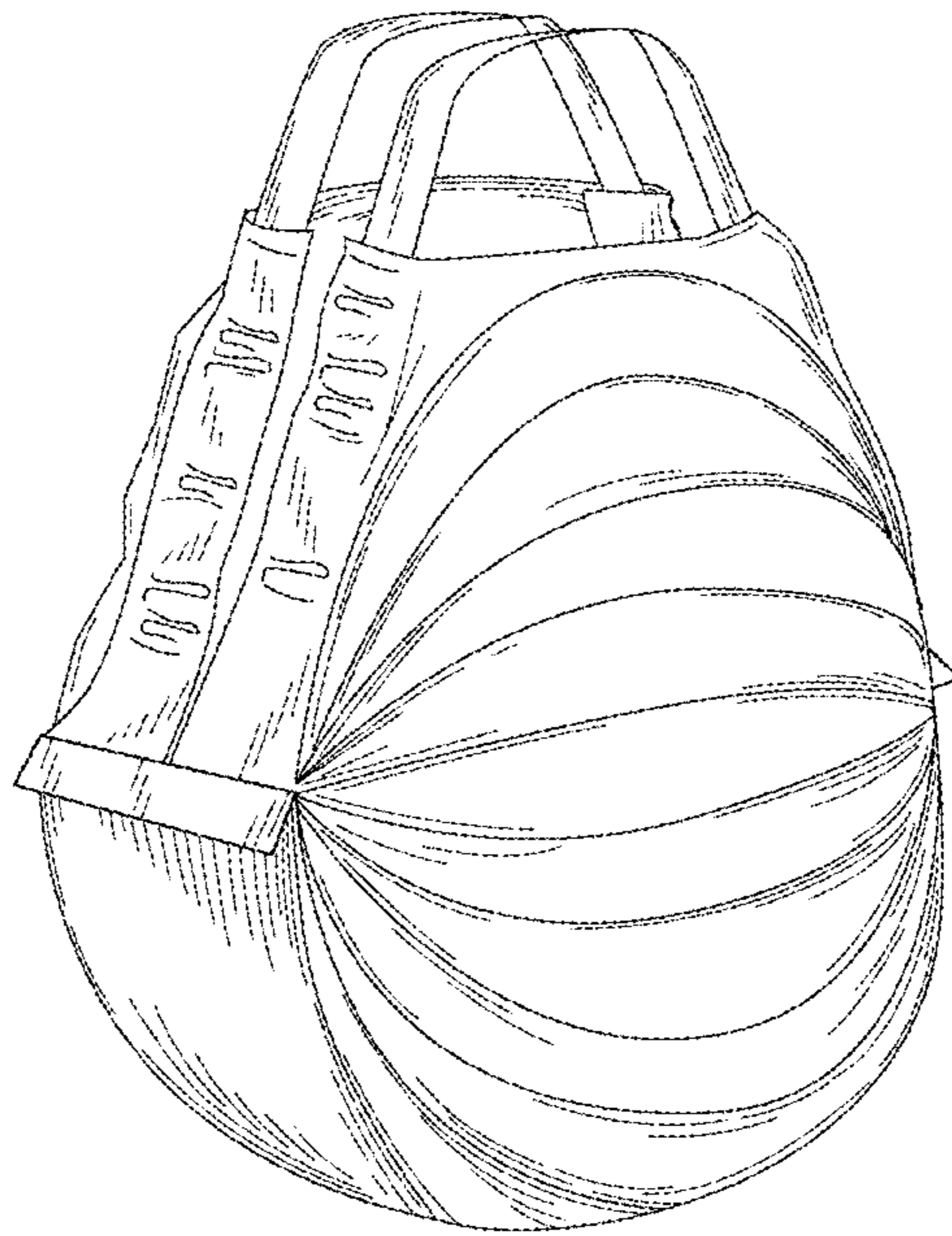


FIG. 8

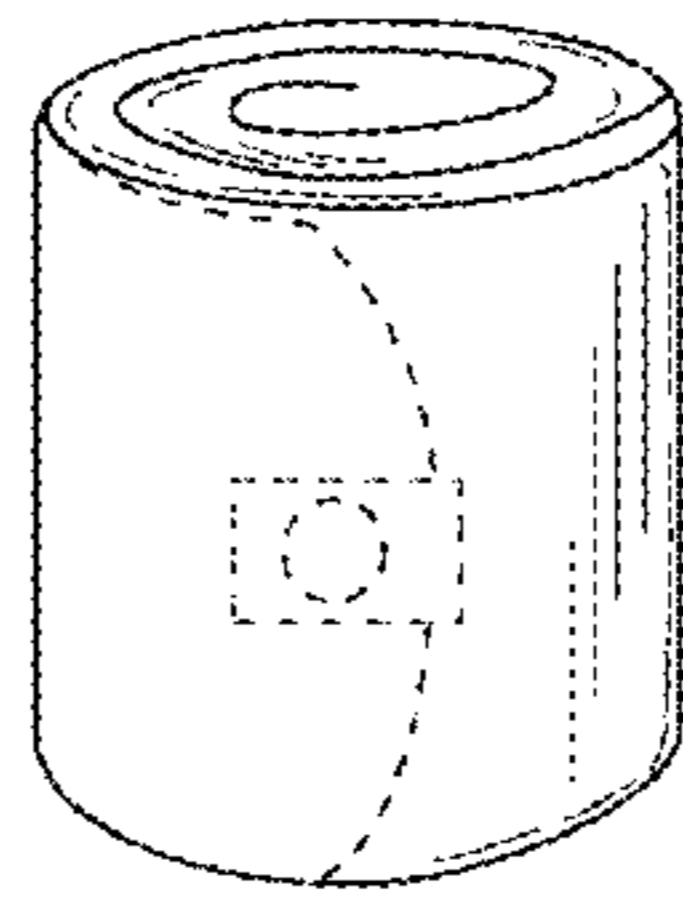


FIG. 9