



US00D802439S

(12) **United States Design Patent** (10) **Patent No.:** **US D802,439 S**
Bapat et al. (45) **Date of Patent:** **** Nov. 14, 2017**

(54) **SPRAY BOTTLE ASSEMBLY**

83/68; B65D 2501/00; B65D 2501/0009;
B65D 2501/0063; B65D 2501/0072;
B65D 2501/0081; B65D 1/0223; B65D
23/102

(71) Applicants: **INDIAN INSTITUTE OF TECHNOLOGY, BOMBAY**, Powai (IN); **EID PARRY (INDIA) LIMITED**, Chennai (IN)

See application file for complete search history.

(72) Inventors: **Vijay P. Bapat**, Mumbai (IN); **Joshi Purba**, Mumbai (IN); **Narasimha Rao Kothapalli**, Irving, TX (US); **Sathiyamurthy Madhuvanesan**, Chennai (IN); **Radhakrishnan Ramamurthi**, Cuddalore (IN); **Balaji Sambamoorthy**, Chennai (IN); **Baburaj Lakshmiathan**, Chennai (IN)

(56) **References Cited**

U.S. PATENT DOCUMENTS

D70,691 S *	7/1926	La Tour	D9/542
D87,478 S *	8/1932	Nash	D9/516
4,151,911 A *	5/1979	Klingaman	B05B 11/0005 206/229
D267,454 S *	1/1983	Fine	D6/545
4,705,191 A *	11/1987	Itzel	B05B 11/0037 141/326
4,805,814 A *	2/1989	Allen, Sr.	B05B 7/244 222/464.1

(Continued)

Primary Examiner — Catherine Tuttle

(73) Assignees: **Indian Institute of Technology, Bombay**, Mumbai (IN); **EID Parry (Indian) Limited**, Tamil Nadu (IN)

(74) *Attorney, Agent, or Firm* — Barnes & Thornburg LLP

(**) Term: **15 Years**

(21) Appl. No.: **29/554,808**

(57) **CLAIM**

(22) Filed: **Feb. 16, 2016**

We claim the ornamental design for a spray bottle assembly, as shown and described.

(30) **Foreign Application Priority Data**

DESCRIPTION

Nov. 2, 2015 (IN) 277204

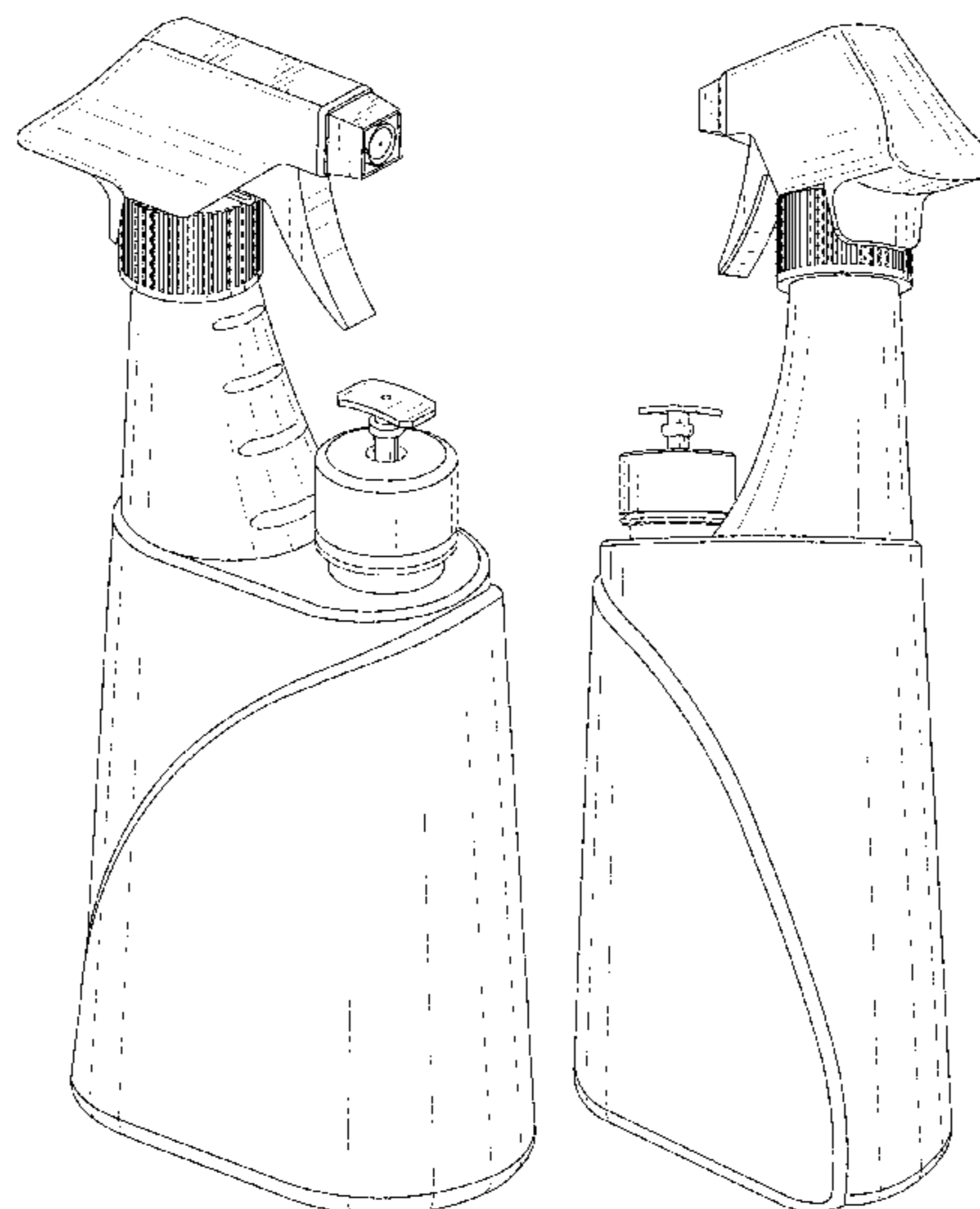
(51) **LOC (10) Cl.** **09-01**

(52) **U.S. Cl.**
USPC **D9/685; D9/682**

(58) **Field of Classification Search**
USPC D9/682-694, 719, 737, 738, 741, 742, D9/744, 745, 747, 516, 517, 523-528, D9/530, 537-543, 549-558, 572-575, D9/435, 436, 448; D23/225
CPC B05B 11/0054; B05B 11/0056; B05B 11/0078; B05B 11/0097; B05B 11/02; B05B 11/3001; B05B 11/3014; B05B 11/3045; B05B 11/3057; B65D 81/3205; B65D 81/3216; B65D 21/0237; B65D

FIG. 1 is a front perspective view of showing our new design for a spray bottle;
FIG. 2 is a back perspective view thereof;
FIG. 3 is a front elevation view thereof;
FIG. 4 is a back elevation view thereof;
FIG. 5 is a left side elevation view thereof;
FIG. 6 is a right side elevation view thereof;
FIG. 7 is a top plan view thereof; and,
FIG. 8 is a bottom plan view thereof.
The broken lines are included for the purpose of illustrating the portions of the spray bottle assembly that form no part of claim design.

1 Claim, 7 Drawing Sheets



(56)

References Cited

U.S. PATENT DOCUMENTS

4,832,230 A * 5/1989 Janowitz B05B 11/0037
 222/136
 D308,166 S * 5/1990 Weckman D9/523
 D315,671 S * 3/1991 Zaragoza D9/523
 D320,430 S * 10/1991 Renfrew D23/212
 D322,559 S * 12/1991 Girouard D9/447
 5,368,387 A * 11/1994 Creighton A47K 5/06
 222/226
 D358,198 S * 5/1995 Wadsworth D23/213
 5,439,141 A * 8/1995 Clark B05B 11/0056
 222/136
 D362,806 S * 10/1995 Mason, Jr. D9/524
 D363,020 S * 10/1995 Mason, Jr. D9/524
 D371,741 S * 7/1996 Goettner D9/523
 D594,749 S * 6/2009 Caldwell D9/523
 D602,379 S * 10/2009 Traiforos D9/685
 D626,001 S * 10/2010 Laseak, Jr. D9/523
 D650,685 S * 12/2011 Weaver D9/524
 2008/0073375 A1 * 3/2008 Nelson B01F 15/0205
 222/129
 2008/0081079 A1 * 4/2008 Cha A61K 33/14
 424/680
 2008/0083779 A1 * 4/2008 Saravanane B05B 11/0081
 222/129
 2014/0078857 A1 * 3/2014 Nelson B01F 13/0027
 366/182.1
 2017/0088334 A1 * 3/2017 Bapat B05B 11/0054

* cited by examiner

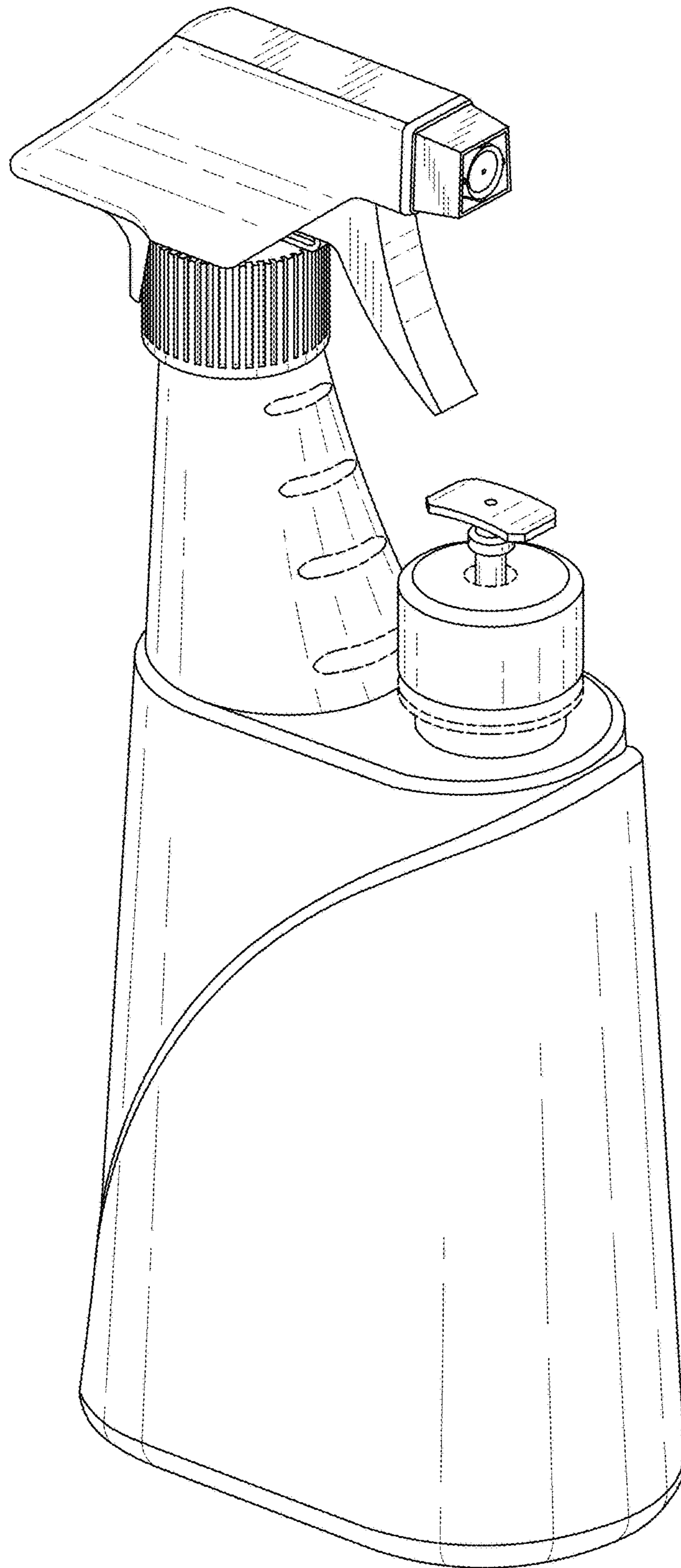


Fig. 1

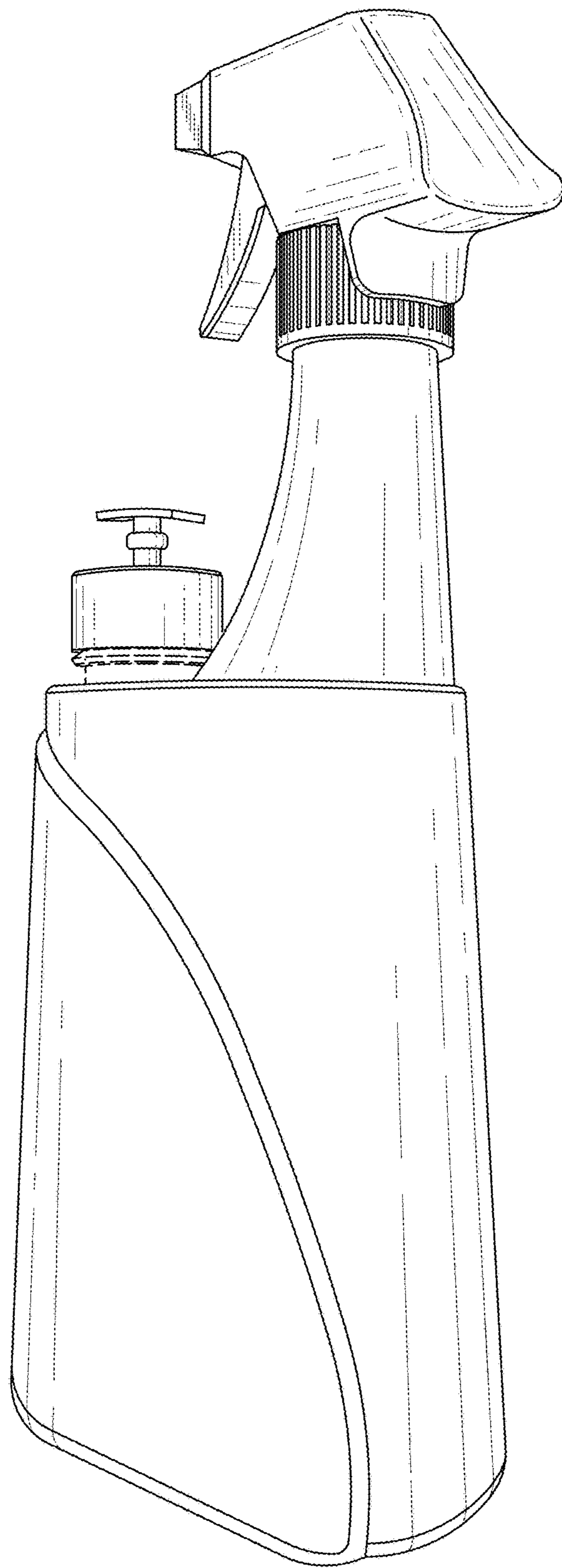


Fig. 2

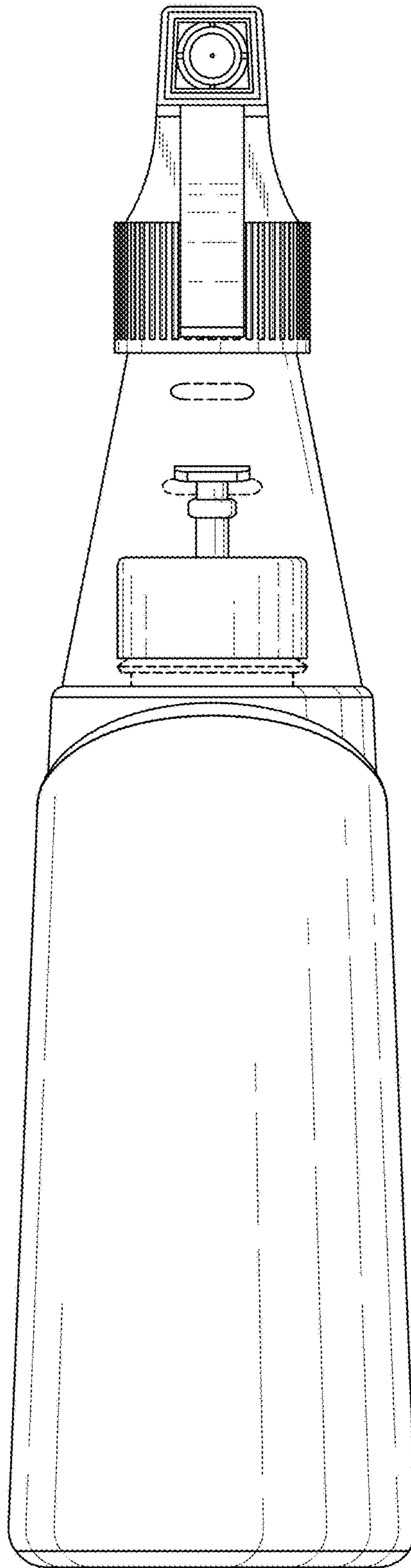


Fig. 3

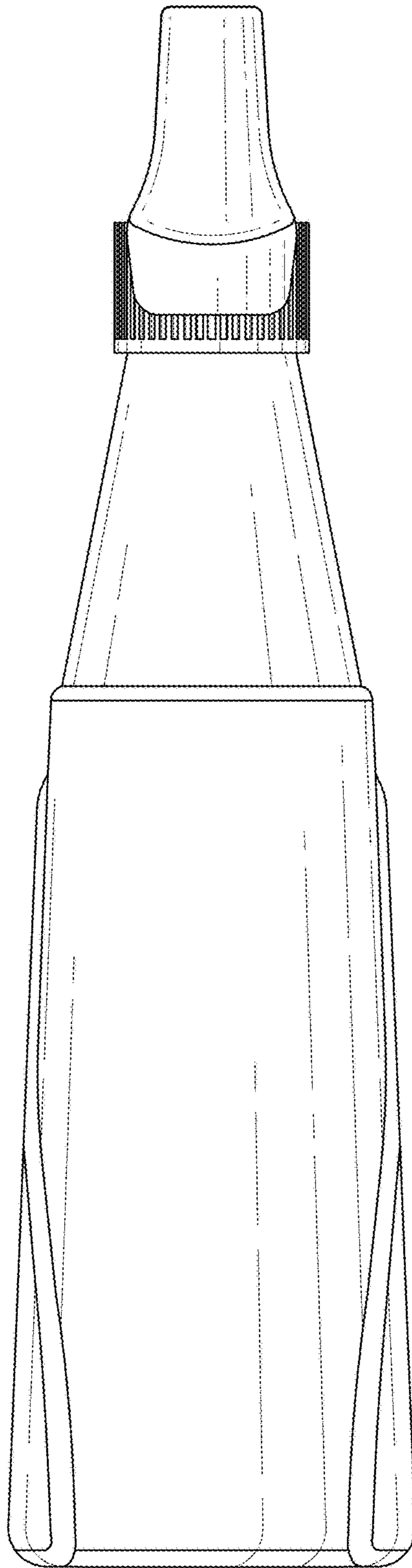


Fig. 4

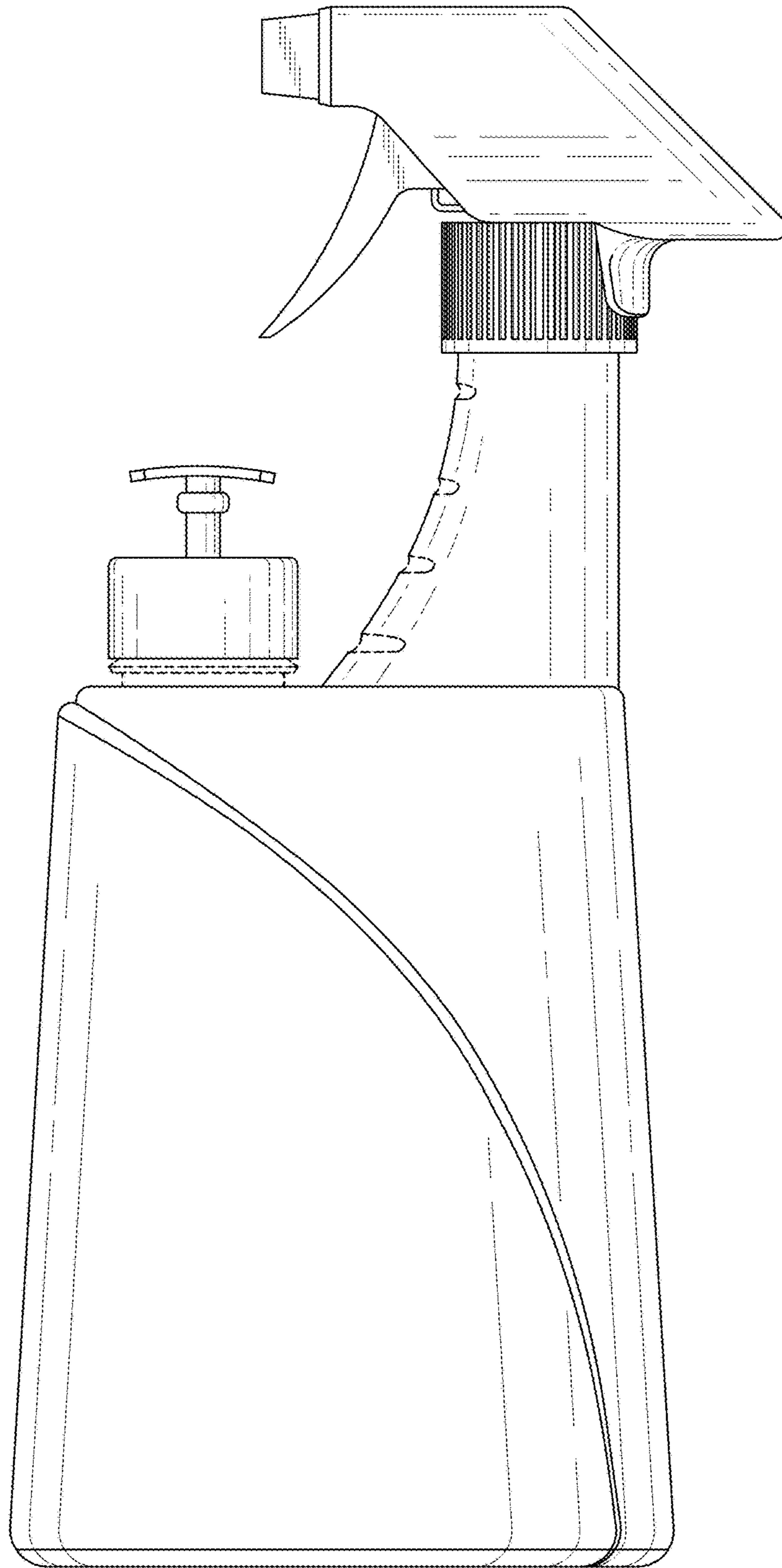


Fig. 5

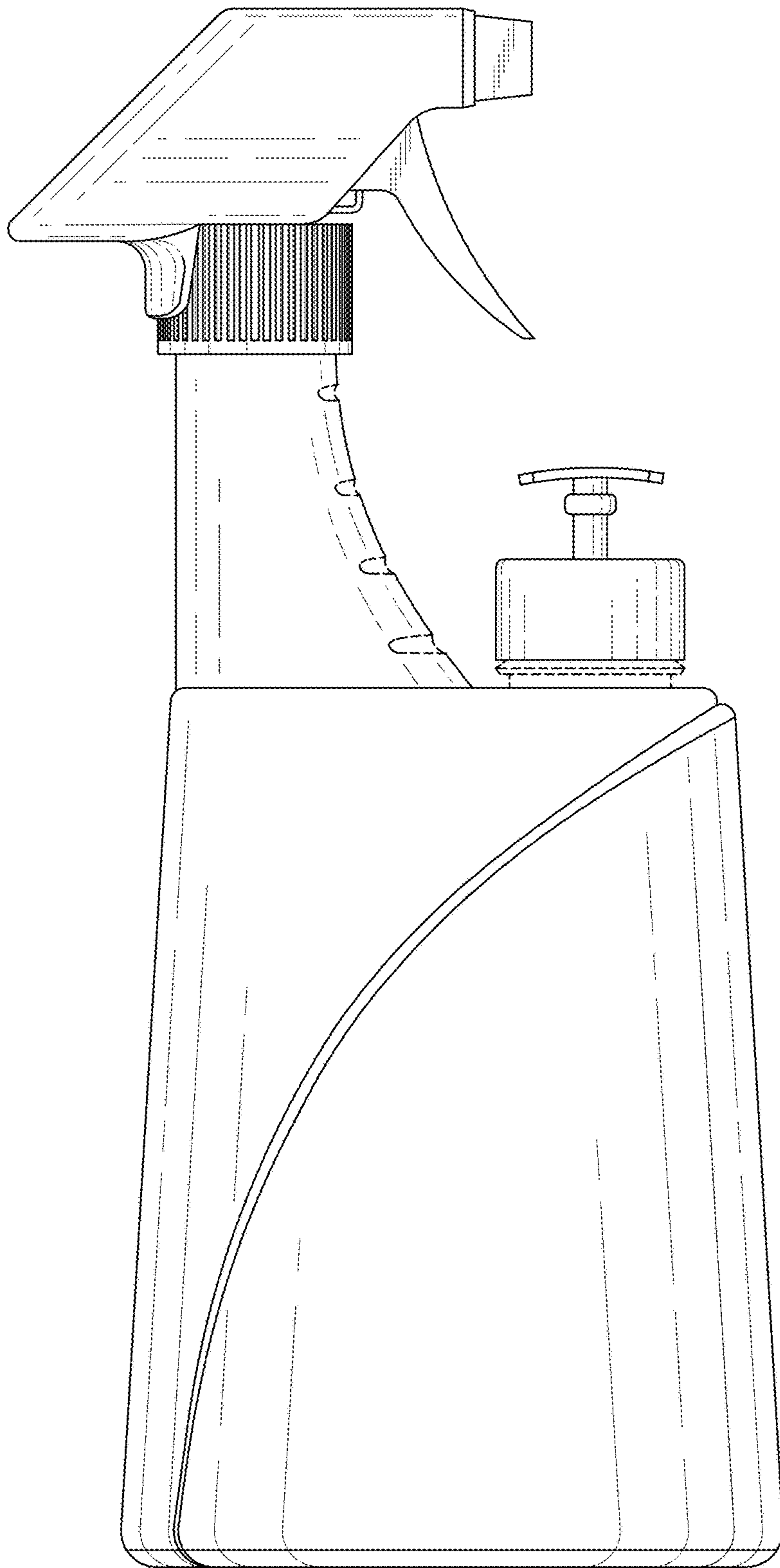


Fig. 6

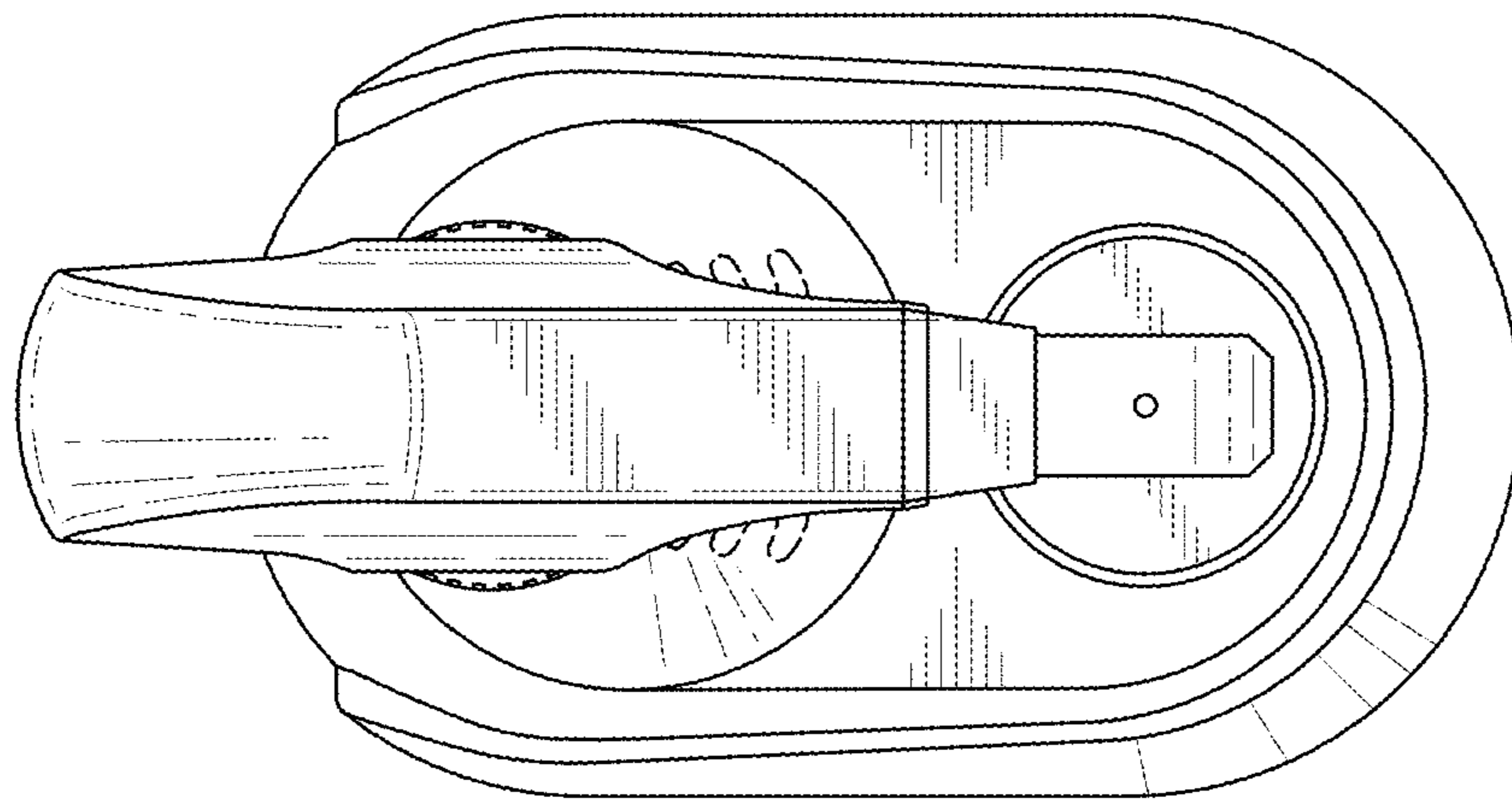


Fig. 7

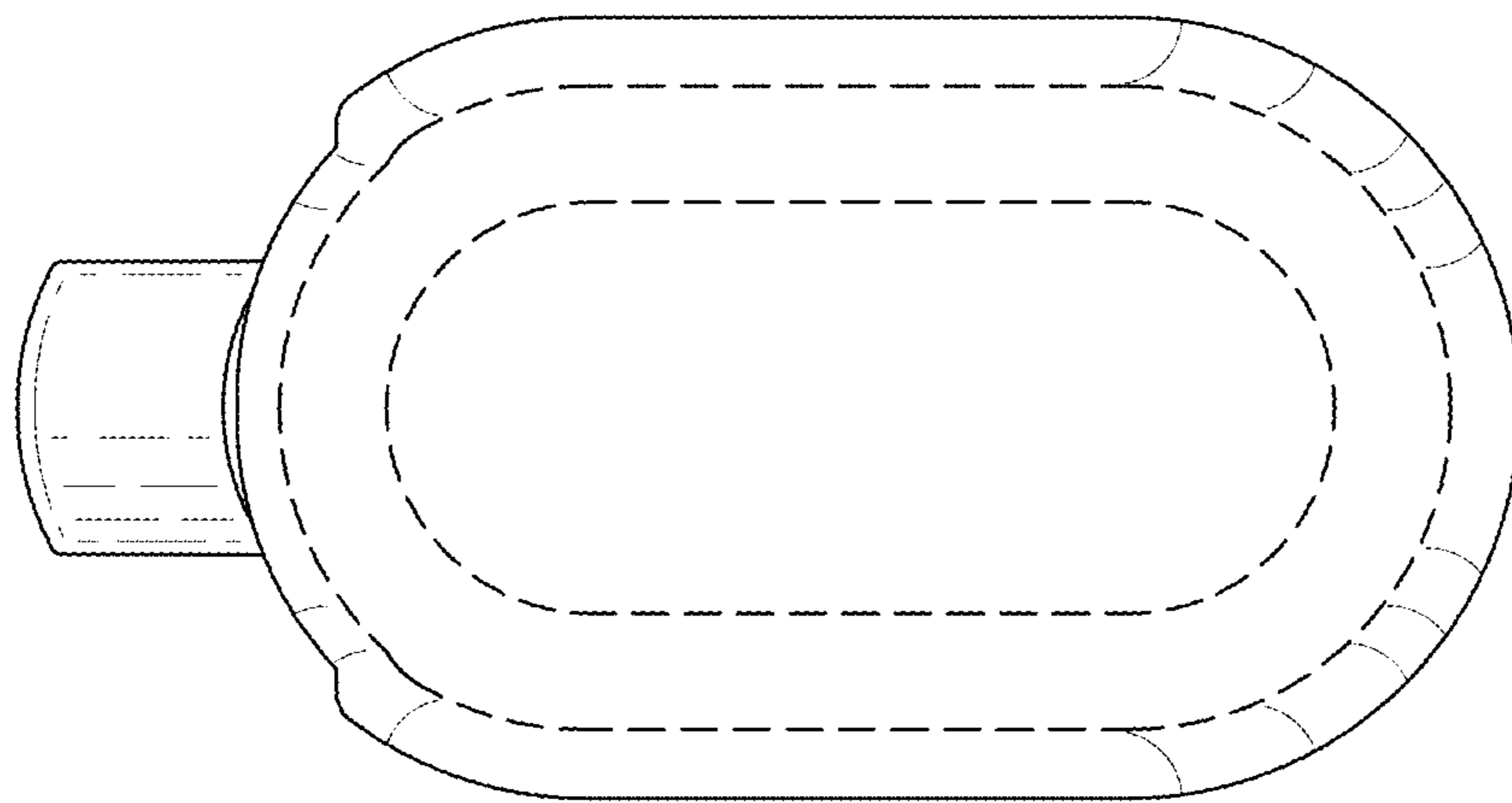


Fig. 8