



US00D802438S

(12) **United States Design Patent**
Ho

(10) **Patent No.:** **US D802,438 S**

(45) **Date of Patent:** **** Nov. 14, 2017**

(54) **HEART-SHAPED CANDY BOX**
(71) Applicant: **BAILIJIA CANDY TOYS AND GIFT PRODUCTION (DONGGUAN) LIMITED**, Dongguan (CN)
(72) Inventor: **Antia Ho**, Dongguan (CN)
(73) Assignee: **BAILIJIA CANDY TOYS AND GIFT PRODUCTION (DONGGUAN) LIMITED**, Dongguan (CN)

D149,996 S * 6/1948 Bachinsky et al. D9/629
D150,037 S * 6/1948 Simpson D9/629
D155,972 S * 11/1949 Craven D9/629
D162,093 S * 2/1951 Steudler D9/629
D163,953 S * 7/1951 Kully D3/270
D424,929 S * 5/2000 Korastinsky D9/629
D523,757 S * 6/2006 Garcia D9/418
D561,602 S * 2/2008 Antonuccio D9/629
D628,897 S * 12/2010 Eisenberger D9/629

* cited by examiner

Primary Examiner — Sandra Morris

(74) *Attorney, Agent, or Firm* — Ming Chow; Sinorica, LLC

(**) Term: **15 Years**

(21) Appl. No.: **29/577,118**

(22) Filed: **Sep. 9, 2016**

(51) **LOC (10) Cl.** **09-01**

(52) **U.S. Cl.**
USPC **D9/629; D3/271.1**

(58) **Field of Classification Search**
USPC D3/270, 271.1–271.4; D7/510, 514–520, D7/599, 604, 613, 619.2, 623, 628; D9/600, 629, 414–418; 206/457, 459.5, 206/527; 215/381–384, 400; 229/116.2; D21/398
CPC B65D 5/4258; B65D 81/60; B65D 81/365; B65D 81/366; B65D 81/368; B65D 2203/00; B65D 2203/02
See application file for complete search history.

(56) **References Cited**

U.S. PATENT DOCUMENTS

D113,304 S * 2/1939 Pinski D3/270
D131,361 S * 2/1942 Levy Hawes D9/629

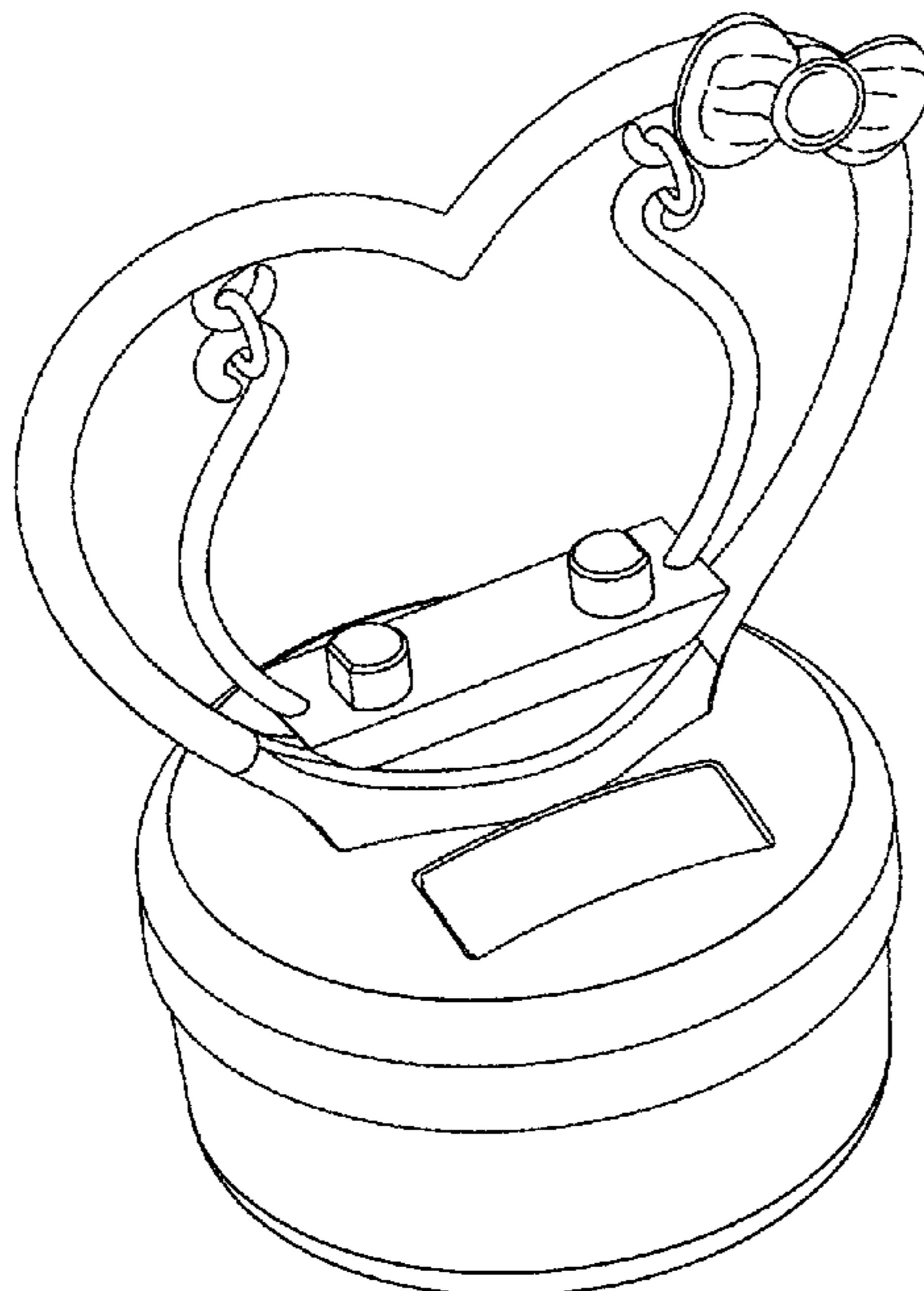
(57) **CLAIM**

The ornamental design for a heart-shaped candy box, as shown and described.

DESCRIPTION

FIG. 1 is a perspective view of the remote control showing my new design;
FIG. 2 is a front elevation view thereof;
FIG. 3 is a rear elevation view thereof;
FIG. 4 is left side view thereof;
FIG. 5 is right side view thereof;
FIG. 6 is a top plan view thereof; and,
FIG. 7 is a bottom plan view thereof.

1 Claim, 7 Drawing Sheets



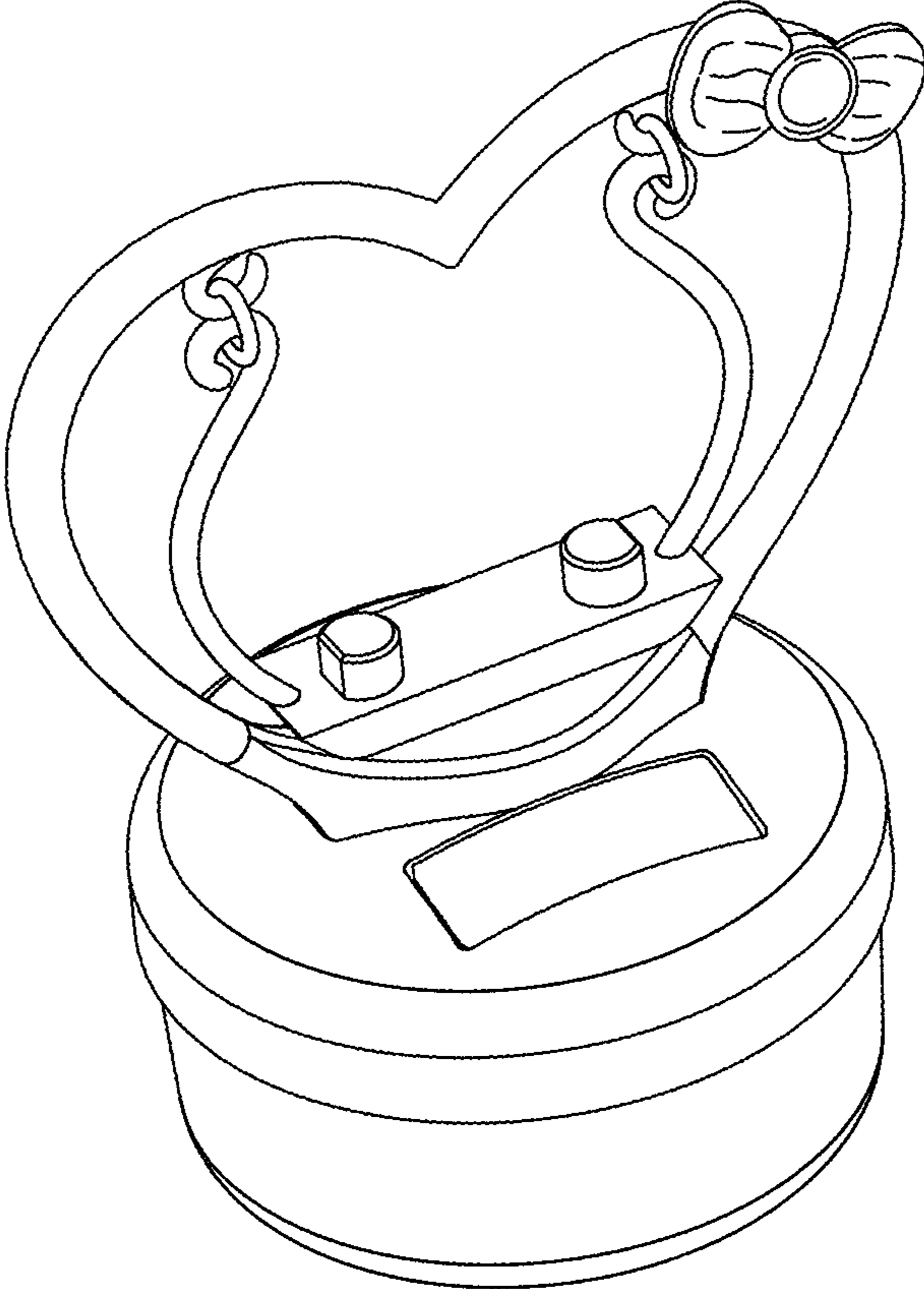


FIG.1

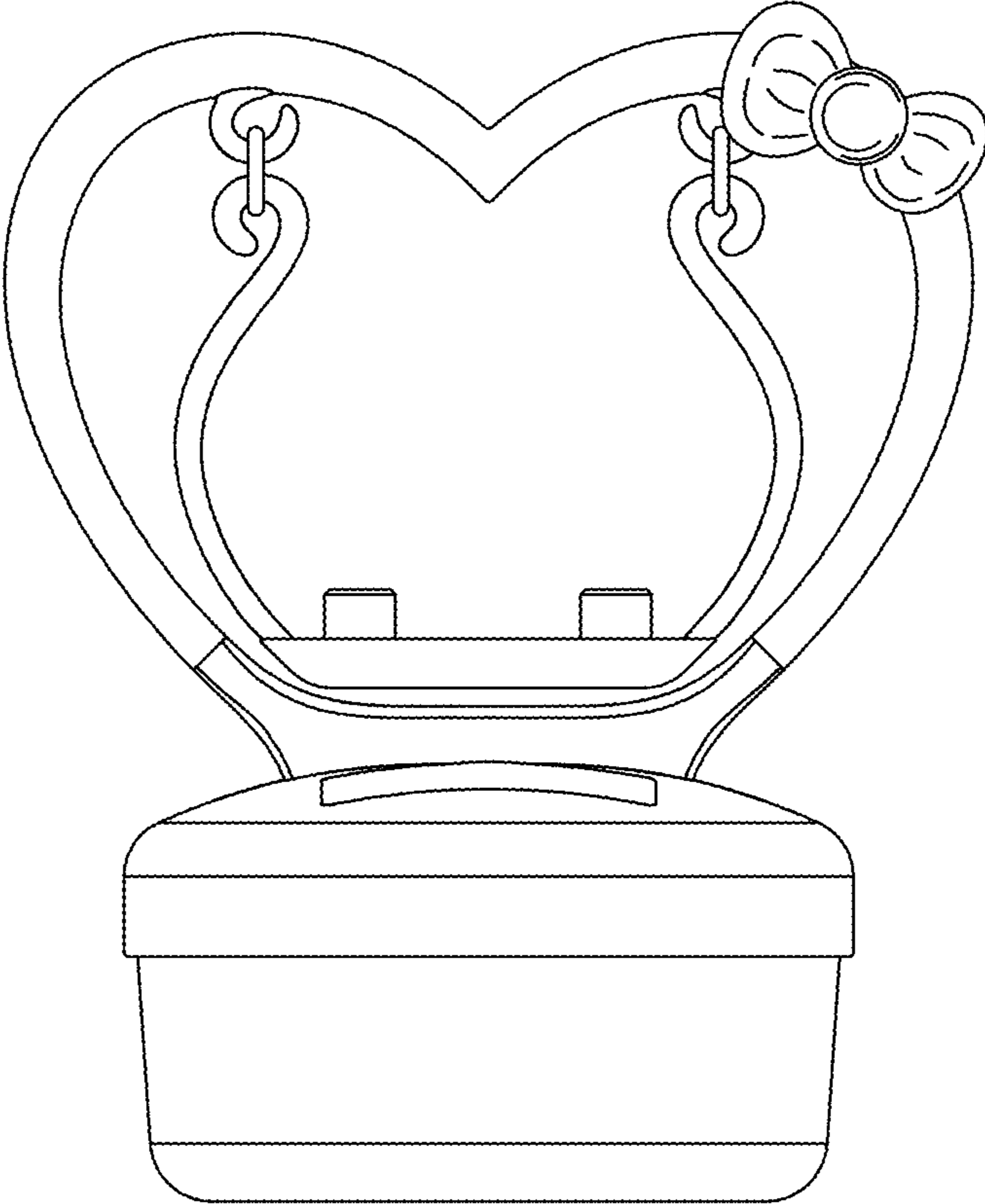


FIG.2

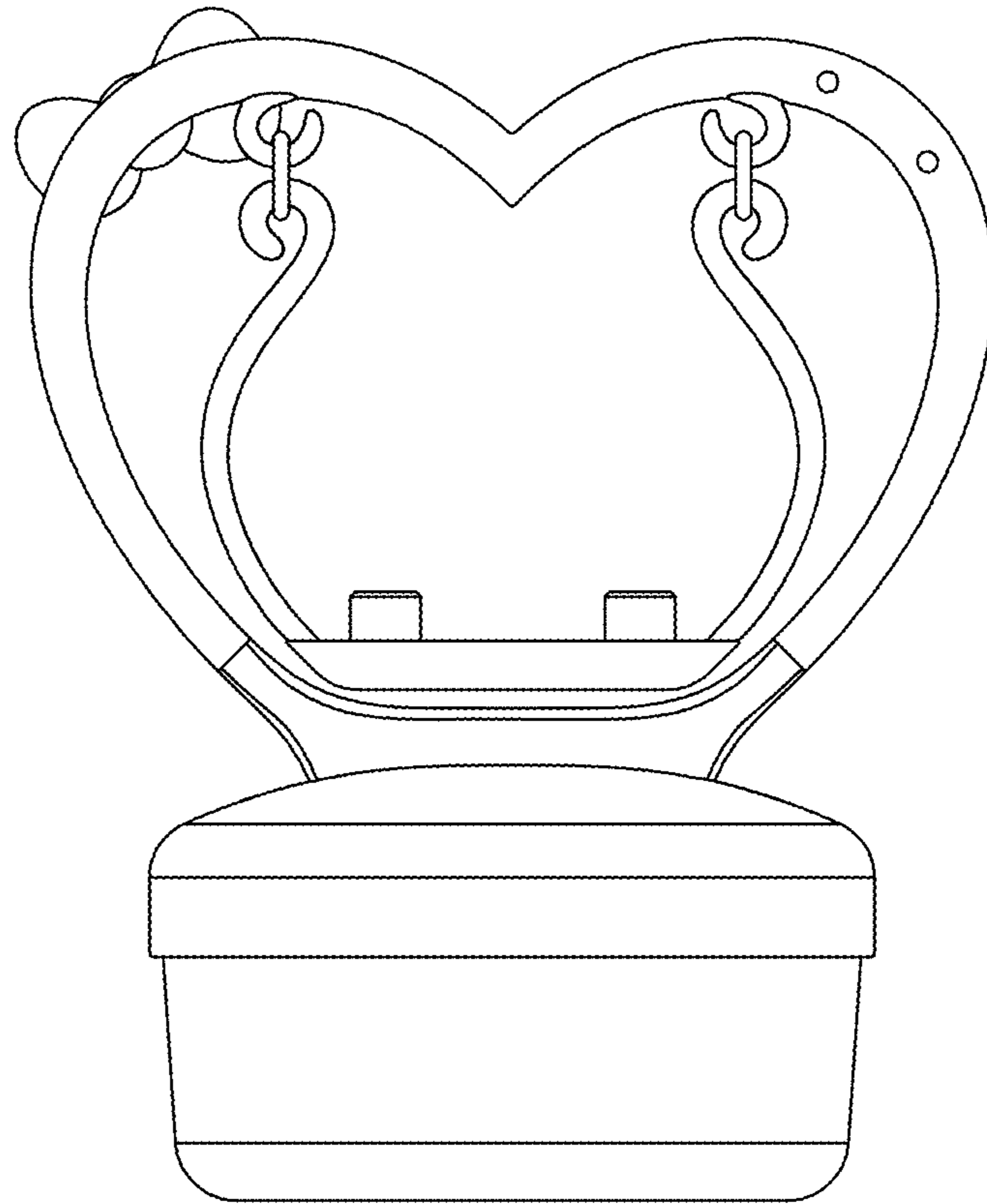


FIG.3

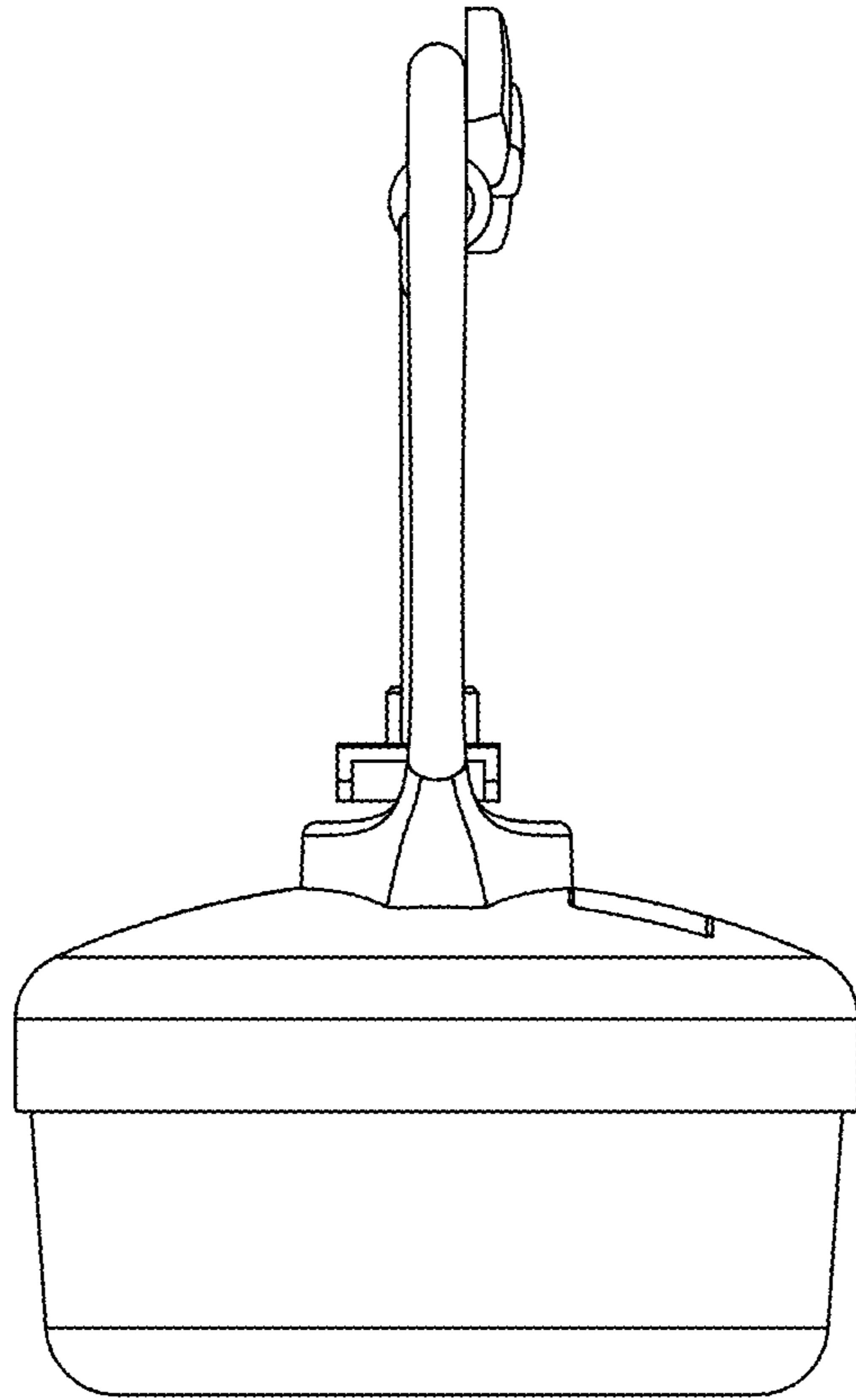


FIG.4

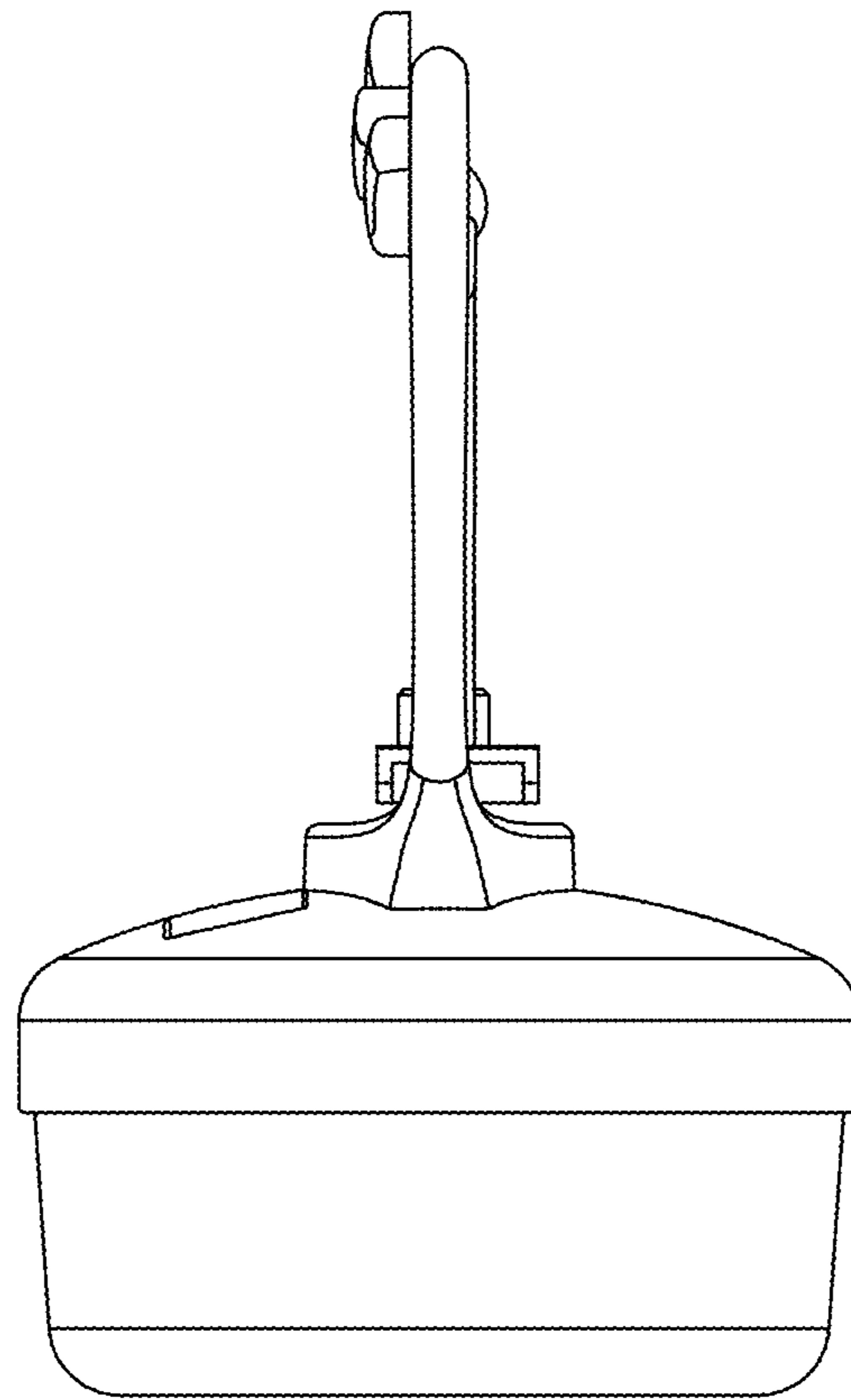


FIG.5

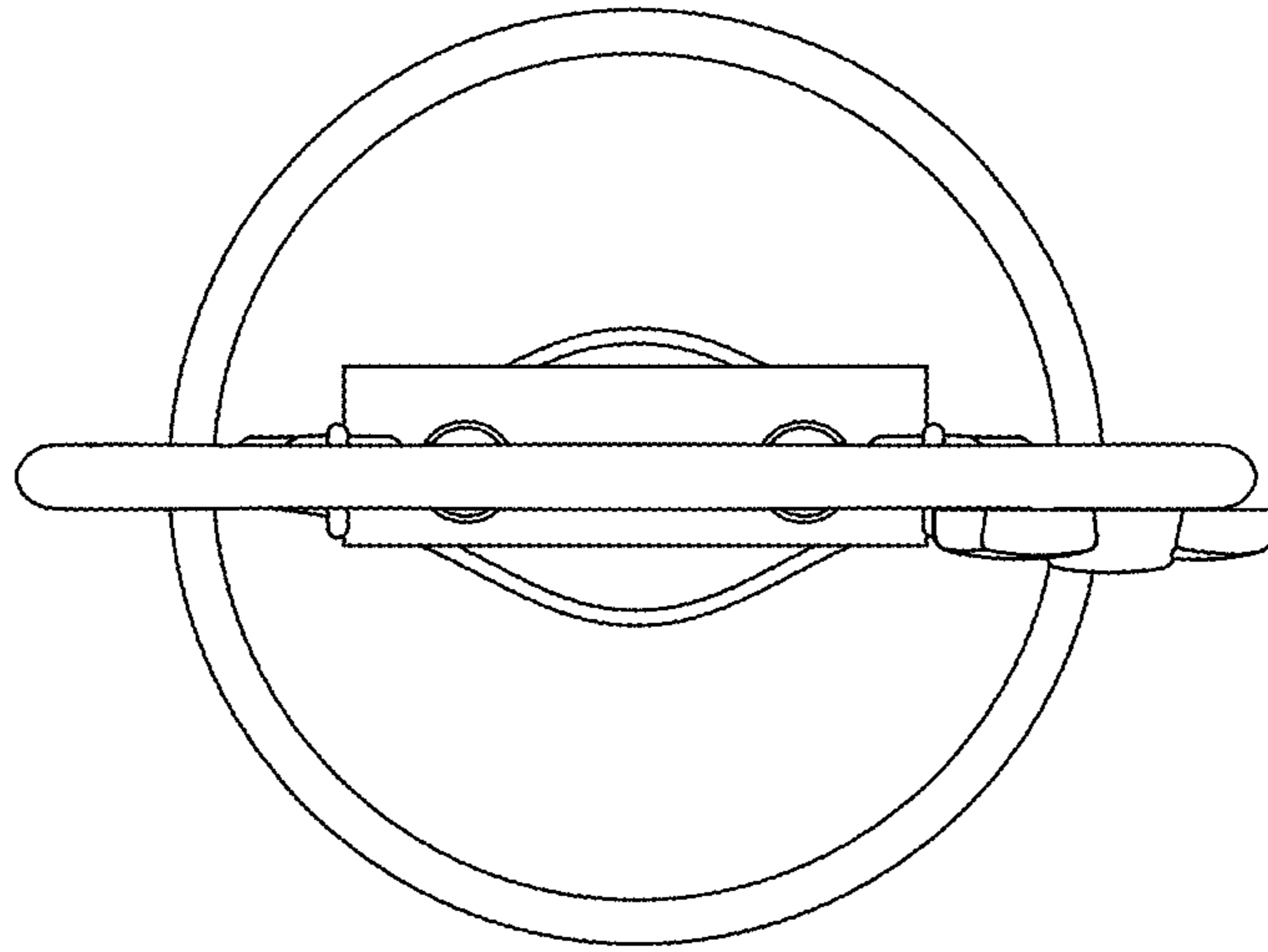


FIG.6

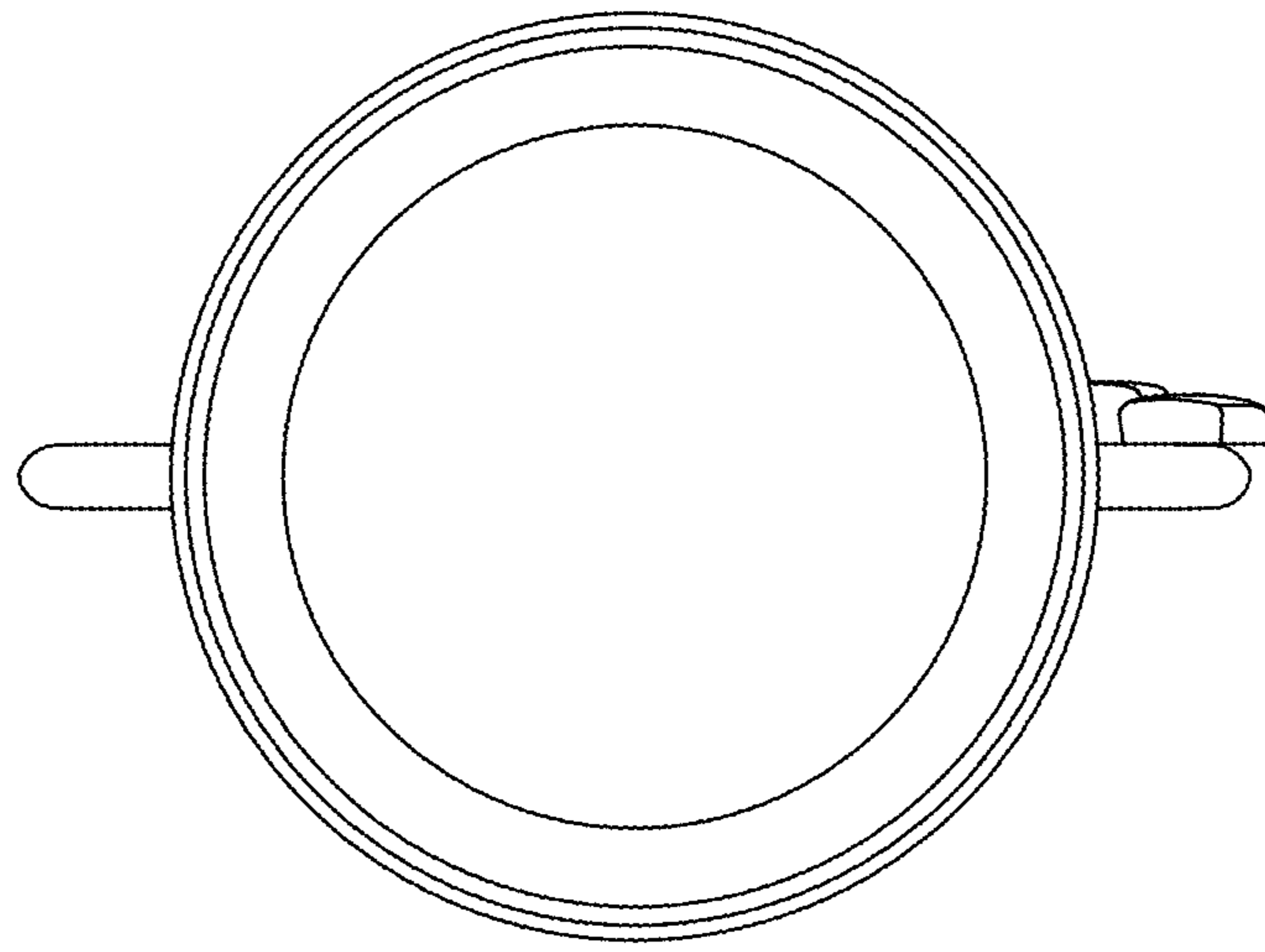


FIG.7