



US00D802430S

(12) **United States Design Patent**
Shinoda et al.

(10) **Patent No.:** **US D802,430 S**

(45) **Date of Patent:** **** Nov. 14, 2017**

(54) **PACKAGING CONTAINER**

(71) Applicant: **TOAGOSEI CO., LTD.**, Minato-ku,
Tokyo (JP)

(72) Inventors: **Masanari Shinoda**, Tokyo (JP); **Hideki Nakagawa**, Tokyo (JP)

(73) Assignee: **TOAGOSEI CO., LTD.**, Tokyo (JP)

(**) Term: **15 Years**

(21) Appl. No.: **29/573,156**

(22) Filed: **Aug. 3, 2016**

(30) **Foreign Application Priority Data**

Feb. 3, 2016 (JP) 2016-002299

(51) **LOC (10) Cl.** **09-01**

(52) **U.S. Cl.**
USPC **D9/539**; D9/564; D9/569; D9/445

(58) **Field of Classification Search**
USPC D9/434, 435, 444-445, 449, 452-454,
D9/500-505, 516, 519, 521-526,
D9/529-530, 535, 537-546, 548-575,
D9/682-694, 723-729; D7/300, 598;
215/379, 381-385; 220/660, 662,
220/669-673, 675
CPC B65D 1/0223; B65D 2501/0036; B65D
79/005; B65D 23/102; B65D 2501/0027;
B65D 23/0814; B65D 23/17284; B65D
23/0284; B65D 1/0233; B65D 1/095;
B65D 2251/023; B65D 2255/20; B65D
41/0485; B65D 47/122; B65C 3/08
See application file for complete search history.

(56) **References Cited**

U.S. PATENT DOCUMENTS

D402,199 S * 12/1998 Saunders D9/724
D411,109 S * 6/1999 Suto D9/550

D496,279 S * 9/2004 Hama D9/529
D541,659 S * 5/2007 Fischer D9/453
D555,012 S * 11/2007 Yamauchi D9/724
D557,340 S * 12/2007 Nagahama D19/66
D562,404 S * 2/2008 Jansen D19/69
D604,166 S * 11/2009 Gallo D24/110
D608,646 S * 1/2010 Lulic D9/451
D704,067 S * 5/2014 Scott D9/449
D714,648 S * 10/2014 Kersten D9/445
D789,205 S * 6/2017 Scott D9/449
D789,206 S * 6/2017 Chen D9/542

* cited by examiner

Primary Examiner — Anhdao Doan

Assistant Examiner — Mary Malley

(74) *Attorney, Agent, or Firm* — Holtz, Holtz & Volek PC

(57) **CLAIM**

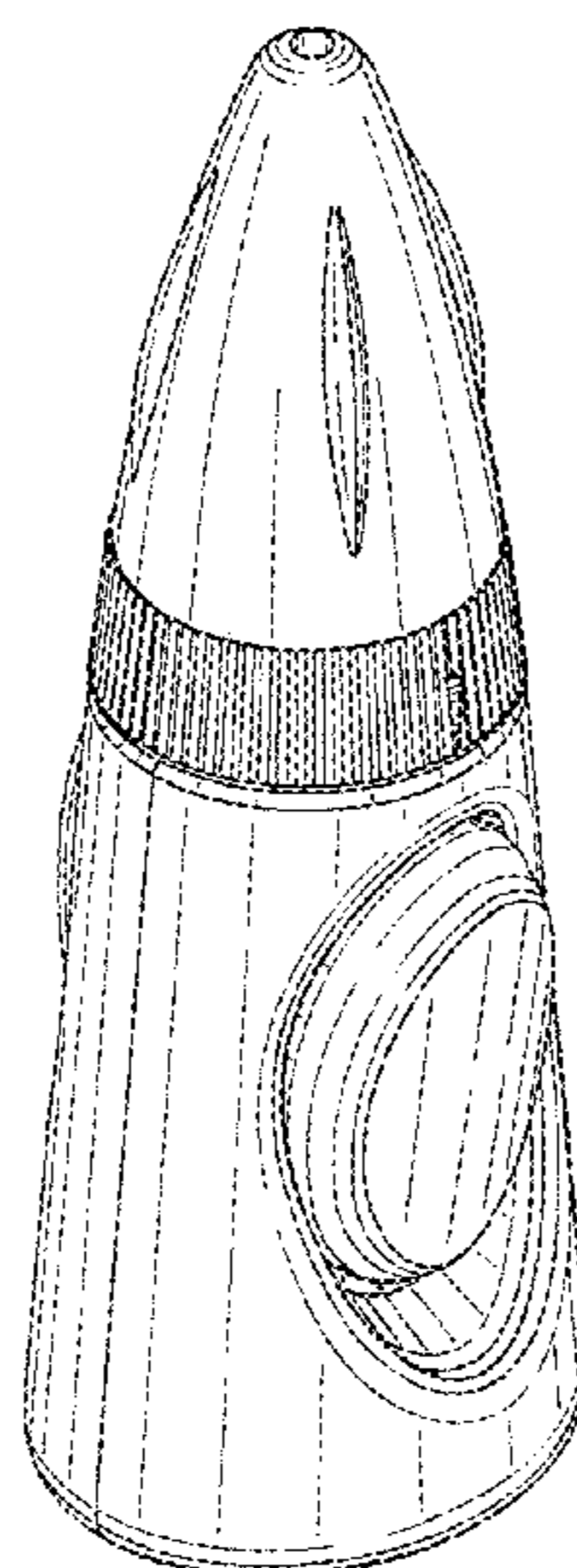
The ornamental design for a packaging container, as shown and described.

DESCRIPTION

FIG. 1 is a front, top and right side perspective view of a packaging container showing our new design;
FIG. 2 is a front elevational view thereof;
FIG. 3 is a rear elevational view thereof;
FIG. 4 is a left side elevational view thereof;
FIG. 5 is a right side elevational view thereof;
FIG. 6 is a top plan view thereof;
FIG. 7 is a bottom plan view thereof;
FIG. 8 is an exploded front, top and right side perspective view thereof with a cap removed; and,
FIG. 9 is a cross-sectional side view thereof taken along line 9-9 of FIG. 5.

The broken lines show portions of the packaging container that form no part of the claimed design.

1 Claim, 8 Drawing Sheets



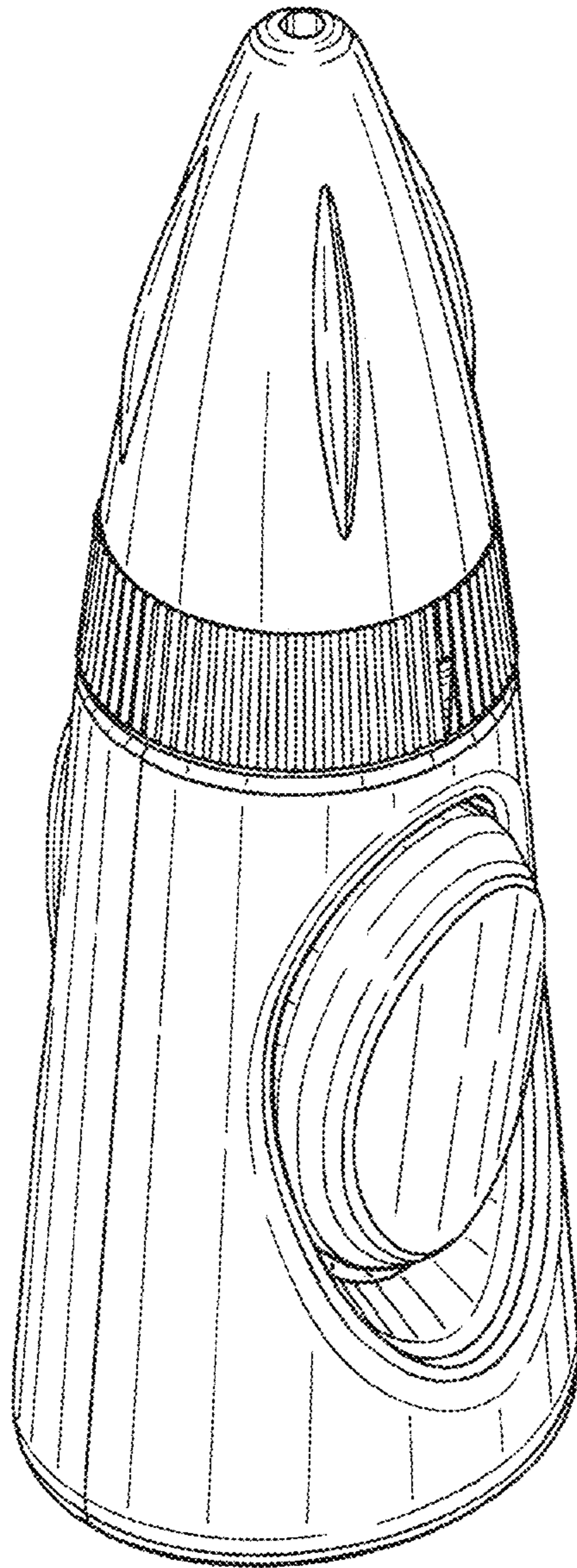


Fig. 1

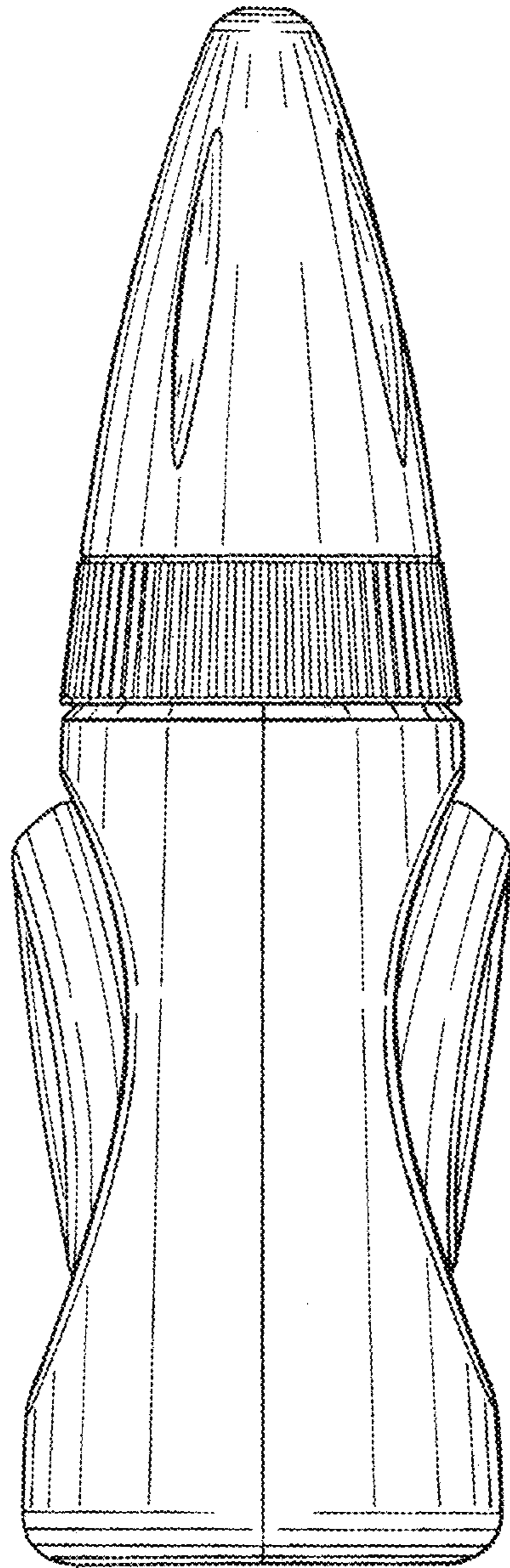


Fig. 2

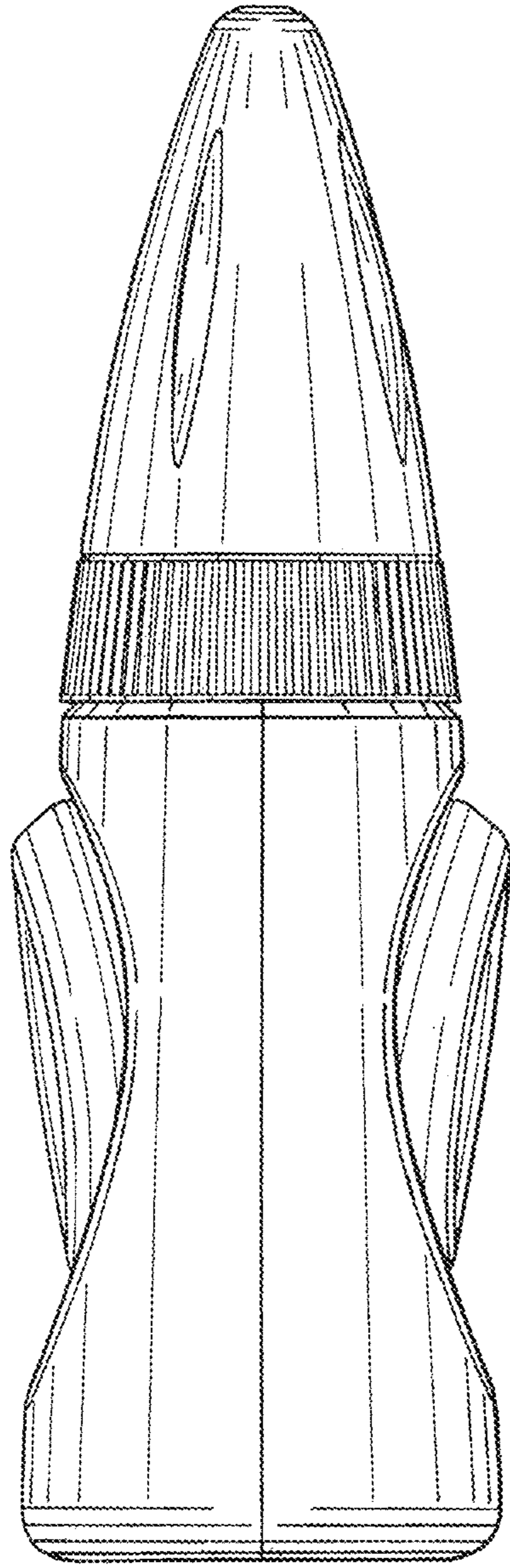


Fig. 3

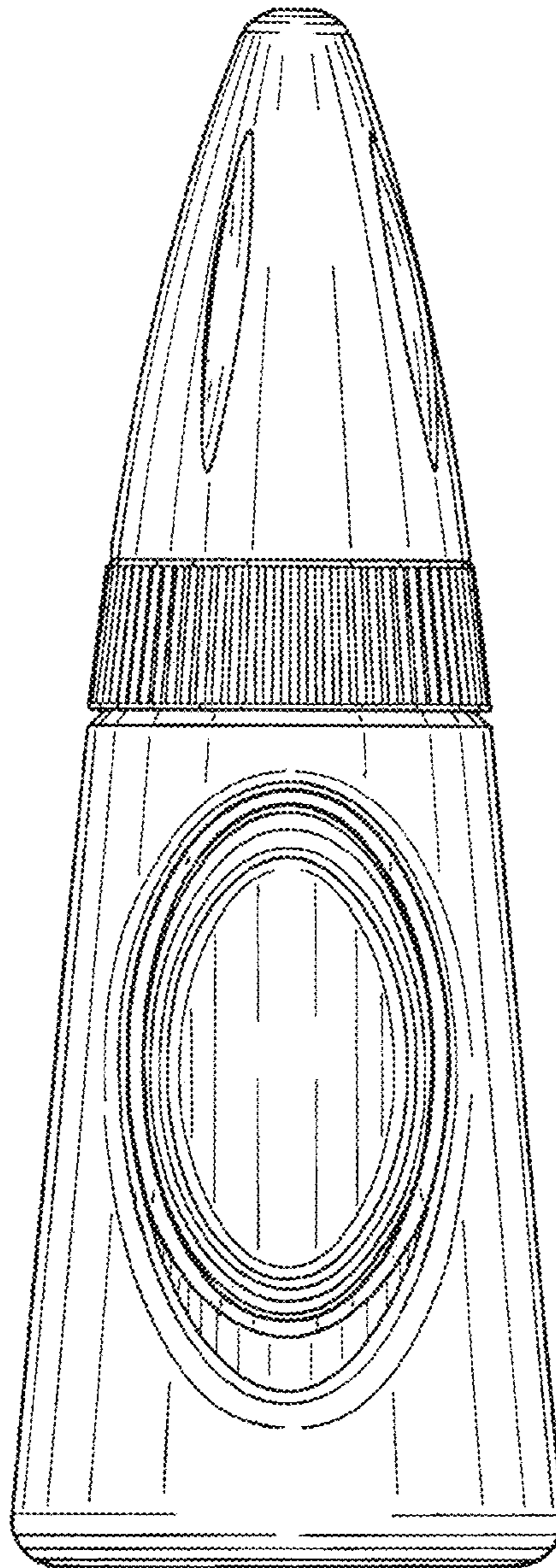


Fig. 4

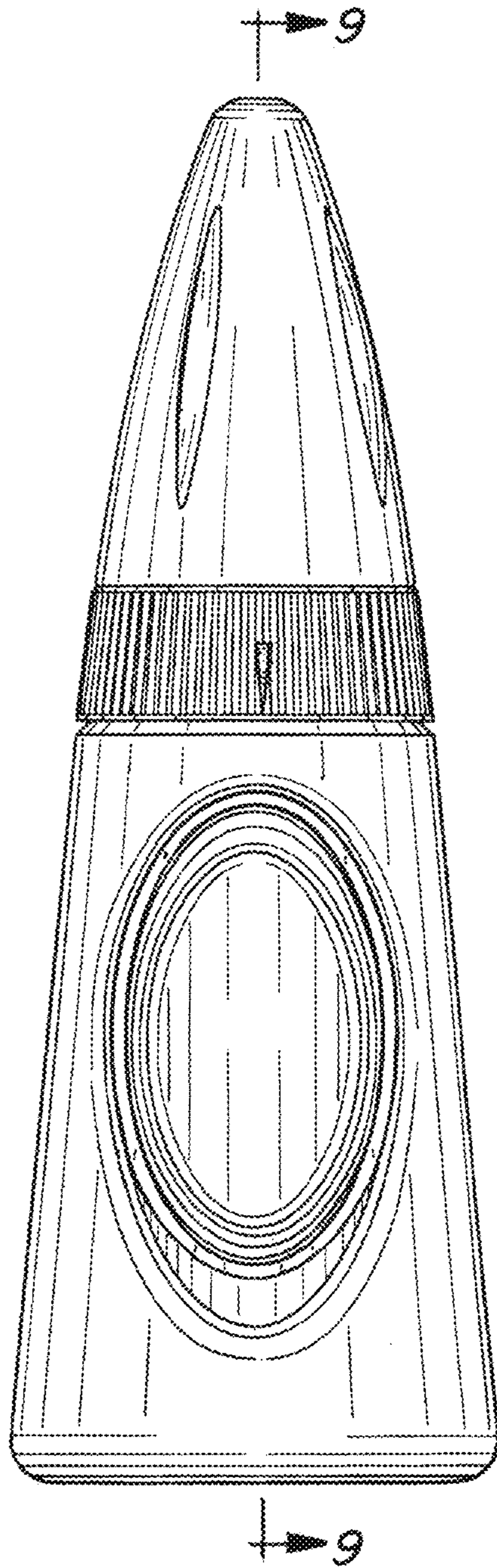


Fig. 5

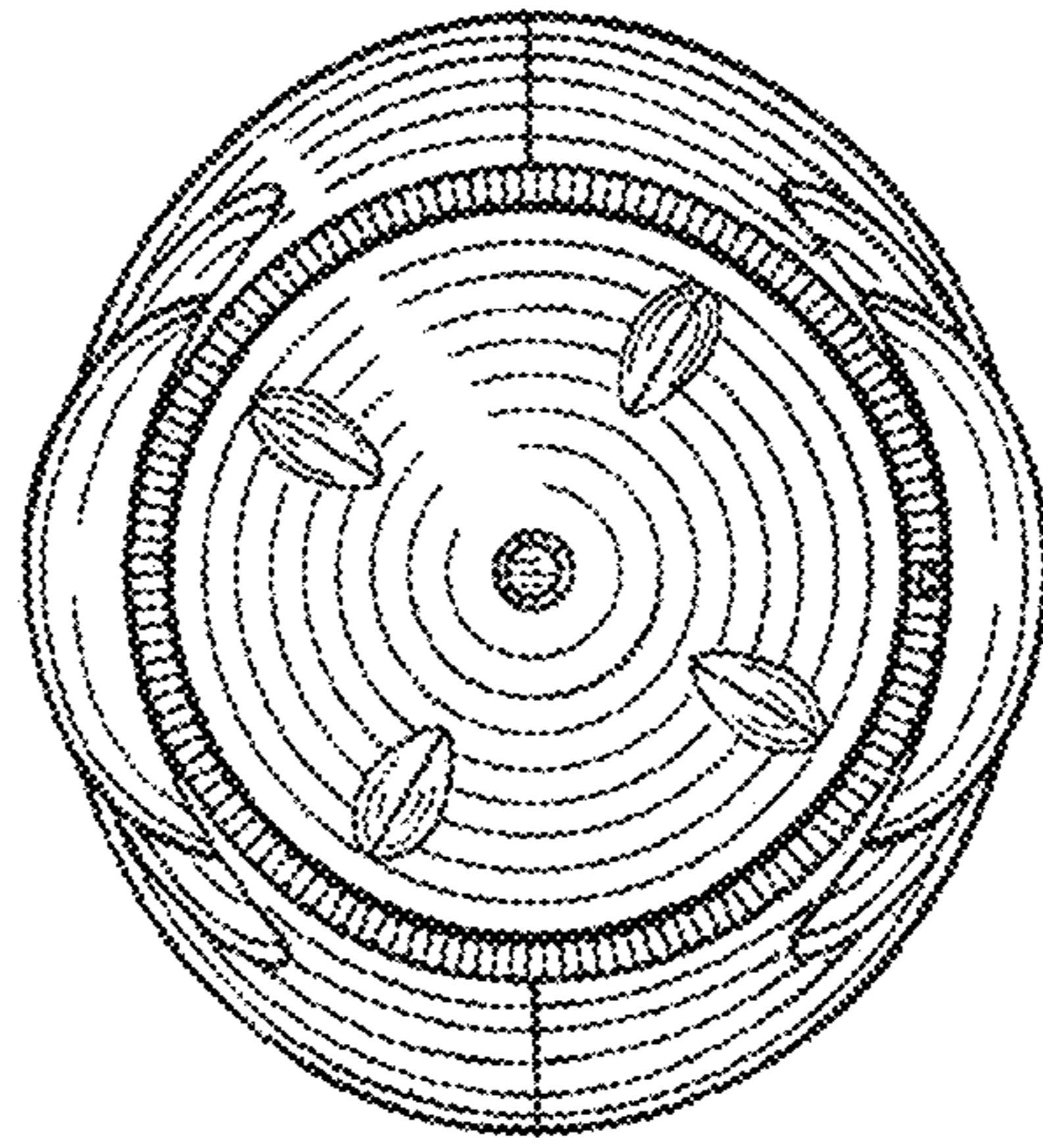


Fig. 6

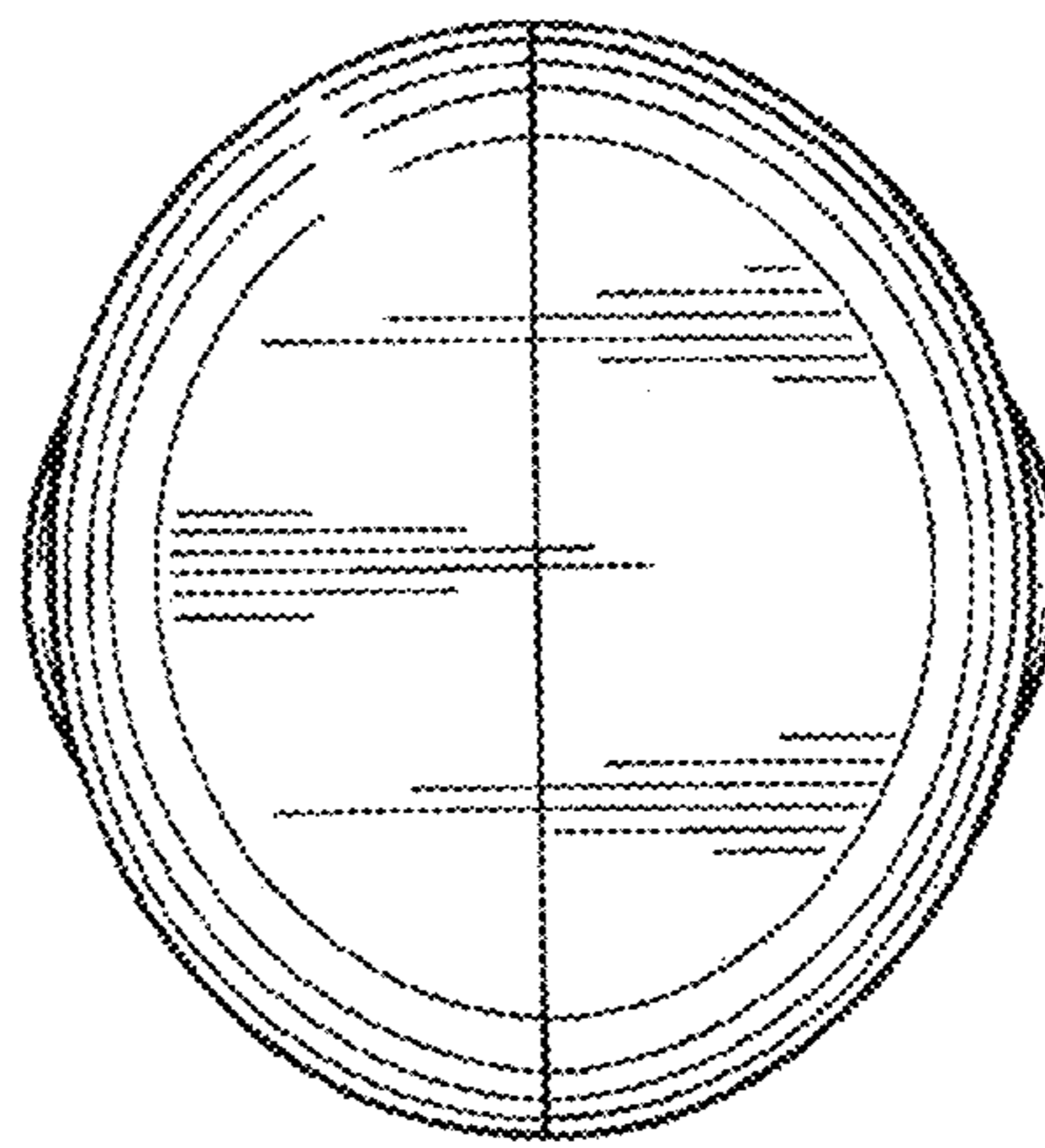


Fig. 7

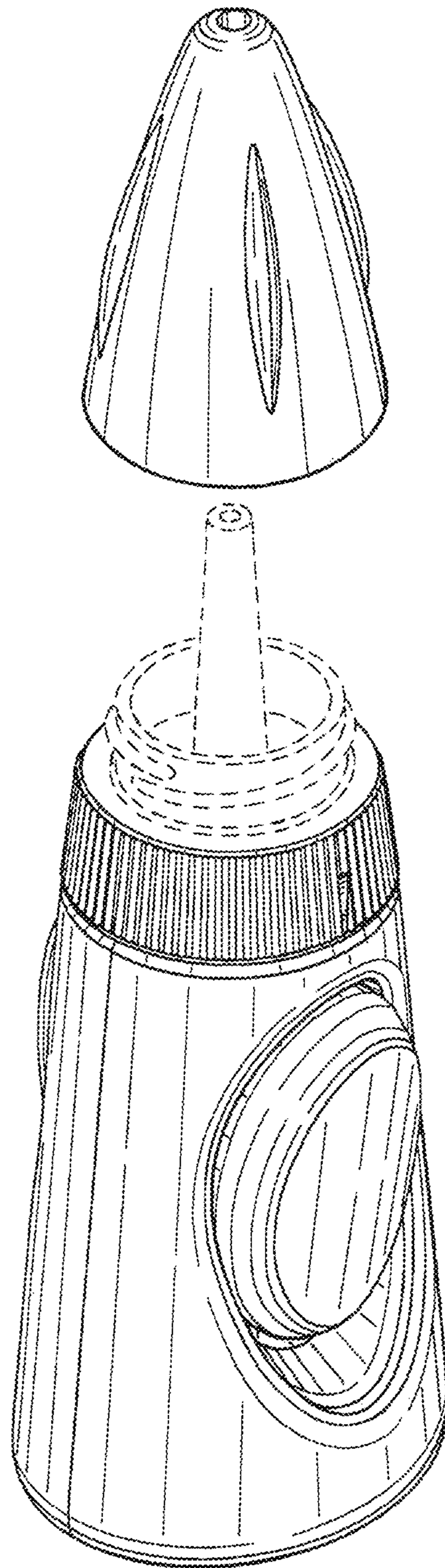


Fig. 8

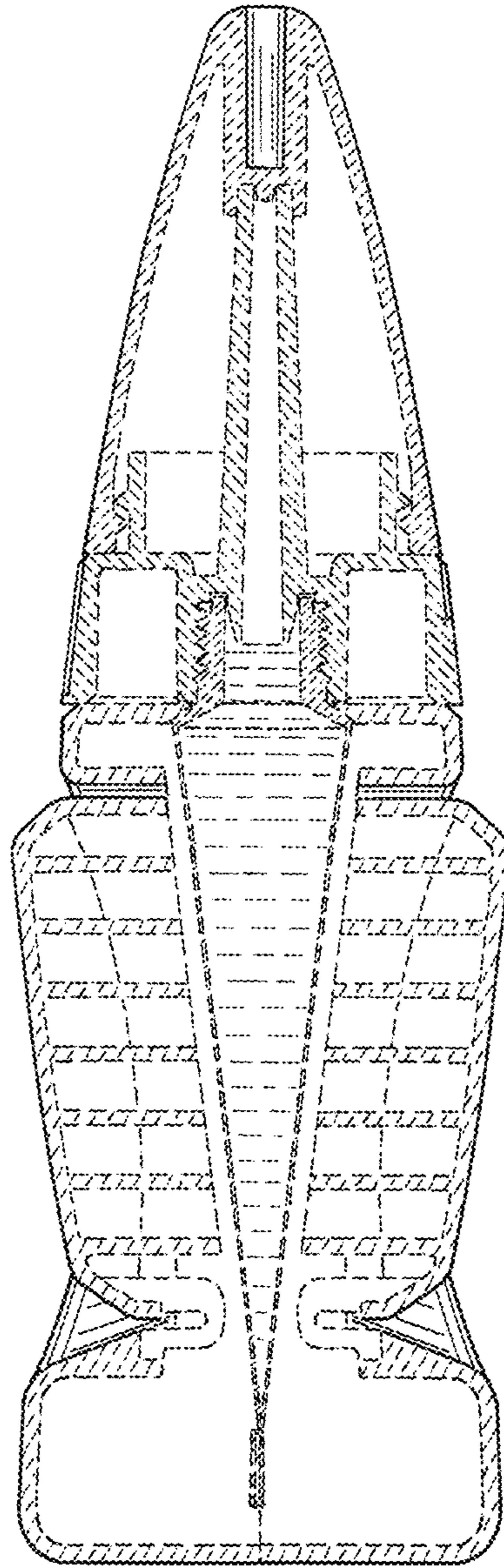


Fig. 9