



US00D802428S

(12) **United States Design Patent** (10) **Patent No.:** **US D802,428 S**
Staab et al. (45) **Date of Patent:** **** Nov. 14, 2017**

(54) **COSMETIC BOTTLE**
(71) Applicant: **Mary Kay Inc.**, Addison, TX (US)
(72) Inventors: **Jenny DeMarco Staab**, Frisco, TX (US); **Lauren Purkhiser**, Addison, TX (US)
(73) Assignee: **Mary Kay Inc.**, Addison, TX (US)
(**) Term: **15 Years**

D86,540 S 3/1932 Piazzoli D9/546
D86,566 S 3/1932 Gibson D9/544
D90,047 S 5/1933 Popp D9/566
D91,169 S 12/1933 Gibson D9/520
D93,070 S 8/1934 Westlake D9/544
D93,073 S 8/1934 Westlake D9/546
D94,153 S 12/1934 Levine D9/573
D97,681 S * 12/1935 Larsen D19/93
D98,040 S 12/1935 Lewis D9/544
D100,372 S 7/1936 Guerlain D9/544
D101,617 S 10/1936 Capey 101/617

(Continued)

(21) Appl. No.: **29/537,054**
(22) Filed: **Aug. 21, 2015**
(51) **LOC (10) Cl.** **09-01**
(52) **U.S. Cl.**
USPC **D9/522**; D9/444; D9/544; D9/566;
D9/682; D9/693; D9/694
(58) **Field of Classification Search**
USPC D9/434-435, 439, 441, 443-445, 451,
D9/516, 522, 530, 544, 546, 559, 566,
D9/572, 651, 682, 693-694, 715, 719;
D28/91.1
CPC B65D 1/00; B65D 1/02; B65D 1/0223;
B65D 23/00; B65D 81/00; B65D
2501/00; B65D 2501/0009; B65D
2501/0081
See application file for complete search history.

FOREIGN PATENT DOCUMENTS

TW 513085 1/2001
TW D144640 12/2011

Primary Examiner — Dana L Meyrow
(74) *Attorney, Agent, or Firm* — Norton Rose Fulbright
US LLP

(57) **CLAIM**

We claim the ornamental design for a cosmetic bottle, as shown and described.

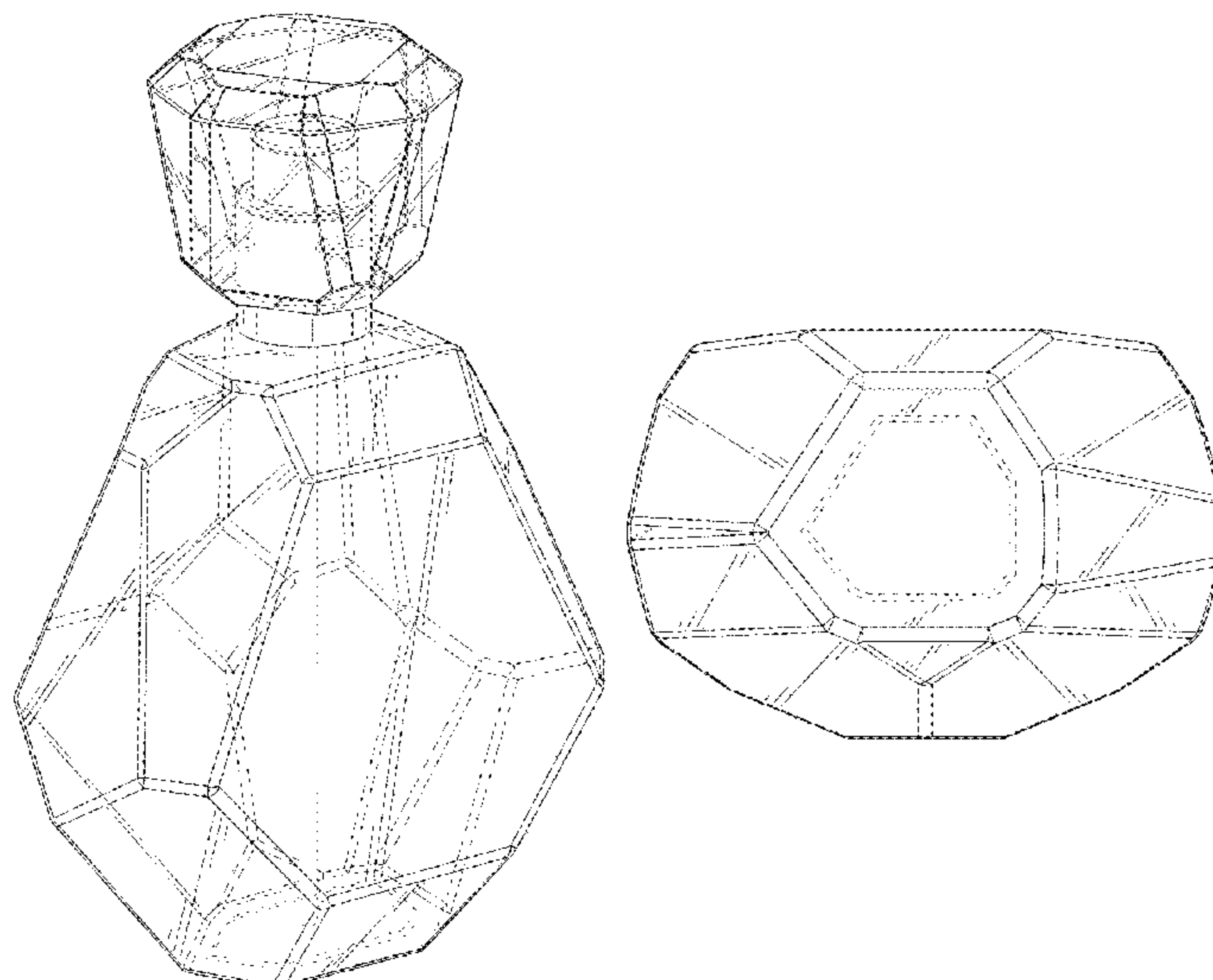
DESCRIPTION

FIG. 1 is a top perspective view of a cosmetic bottle showing our new design;
FIG. 2 is a front view of the bottle shown in FIG. 1;
FIG. 3 is a back view of the bottle shown in FIG. 1;
FIG. 4 is a right side view of the bottle shown in FIG. 1;
FIG. 5 is a left side view of the bottle shown in FIG. 1;
FIG. 6 is a top view of the bottle shown in FIG. 1, the inside and opposing side details omitted for ease of understanding;
and,
FIG. 7 is a bottom view of the bottle shown in FIG. 1, the inside and opposing side details omitted for ease of understanding.
The evenly-dashed broken lines in the drawings illustrate the portions of the cosmetic bottle that form no part of the claim.

(56) **References Cited**
U.S. PATENT DOCUMENTS

D71,782 S 1/1927 Delaize D9/544
D74,677 S 3/1928 Kohl D9/544
D76,405 S 9/1928 Lavault D9/546
D76,976 S 11/1928 Applebaum D9/651
D78,686 S 6/1929 Daltroff D9/546
D79,944 S 11/1929 Teague D9/546
D80,708 S 3/1930 Teague D9/544
D80,917 S * 4/1930 Teague D9/566
D80,918 S 4/1930 Teague D9/546
D81,602 S 7/1930 Teague D9/546

1 Claim, 7 Drawing Sheets



(56)

References Cited

U.S. PATENT DOCUMENTS

D120,147 S	4/1940	Steuer	D9/568	D548,091 S	8/2007	Dalton	D9/519
D126,514 S	4/1941	Payne	D9/566	D551,974 S	10/2007	Canamasas	D9/452
D147,027 S	7/1947	Stevens, Jr.	D9/452	D553,505 S	10/2007	Oner	D9/559
D187,886 S	5/1960	Hurlstone	D9/566	D562,689 S	2/2008	Antretter	D9/544
D194,809 S	3/1963	Du Pree	D9/544	D574,257 S	8/2008	Zeidan	D9/694
D259,703 S	6/1981	Llorente	D9/651	D586,226 S	2/2009	Lloyd	D9/556
D277,455 S	2/1985	Tordjman	D9/546	D610,013 S	2/2010	Mendelson	D9/522
D284,938 S	8/1986	Jedwab et al.	D9/651	D610,916 S	3/2010	Yeung et al.	D9/694
D289,142 S	4/1987	Bijaoui	D9/546	D619,470 S	7/2010	Zeidan	D9/544
D304,298 S	10/1989	Bannister	D9/546	D620,804 S	8/2010	Bogert et al.	D9/544
D308,940 S	7/1990	Dinand	D9/544	D625,612 S	10/2010	Papiernik	D9/693
D322,565 S	* 12/1991	Durand	D9/573	D626,422 S	11/2010	Lloyd	D9/566
D325,166 S	4/1992	Versace	D9/544	D632,969 S	2/2011	Monteparo et al.	D9/544
D329,596 S	9/1992	Dinand	D9/544	D633,806 S	3/2011	Lecoule	D9/559
D333,269 S	2/1993	Albright et al.	D9/544	D637,491 S	5/2011	Bogert	D9/452
D333,425 S	2/1993	Boussiquet	D9/562	D638,649 S	5/2011	Servaire	D7/300
D365,991 S	1/1996	Varlet	D9/544	D638,706 S	5/2011	De Bashmakoff	D9/452
D366,620 S	* 1/1996	Kuzma	D9/542	D639,161 S	6/2011	Webster	D9/452
D382,486 S	8/1997	Heinz	D9/546	D639,667 S	6/2011	Bogert et al.	D9/544
D421,906 S	3/2000	Jauffret	D9/435	D643,733 S	8/2011	Aebi	D9/544
D432,407 S	* 10/2000	Lee	D9/522	D659,548 S	5/2012	France	D9/694
D449,537 S	10/2001	Feigenbaum	D9/529	D678,073 S	3/2013	Oge-Nichols et al.	D9/542
D471,467 S	3/2003	Kokubo et al.	D9/566	D683,227 S	5/2013	Balini	D9/544
D515,194 S	2/2006	Chen	D23/366	D697,811 S	1/2014	Goodman et al.	D9/545
D526,567 S	8/2006	Dalton	D9/544	D698,259 S	1/2014	Ngjelo	D9/651
D529,813 S	10/2006	Modjeski	D9/546	D710,207 S	8/2014	Pinabel	D9/542
D530,211 S	10/2006	Lloyd	D9/542	D711,236 S	8/2014	Friesen et al.	D9/519
D530,213 S	10/2006	Modjeski	D9/546	D712,253 S	9/2014	Hughes et al.	D9/435
D530,216 S	10/2006	Modjeski	D9/566	D722,274 S	* 2/2015	Basset	D9/566
D531,911 S	11/2006	Lloyd	D9/546	D740,660 S	* 10/2015	Hughes	D9/435
					D747,972 S	* 1/2016	Allan	D9/682
					D773,936 S	* 12/2016	Pascalie	D9/454

* cited by examiner

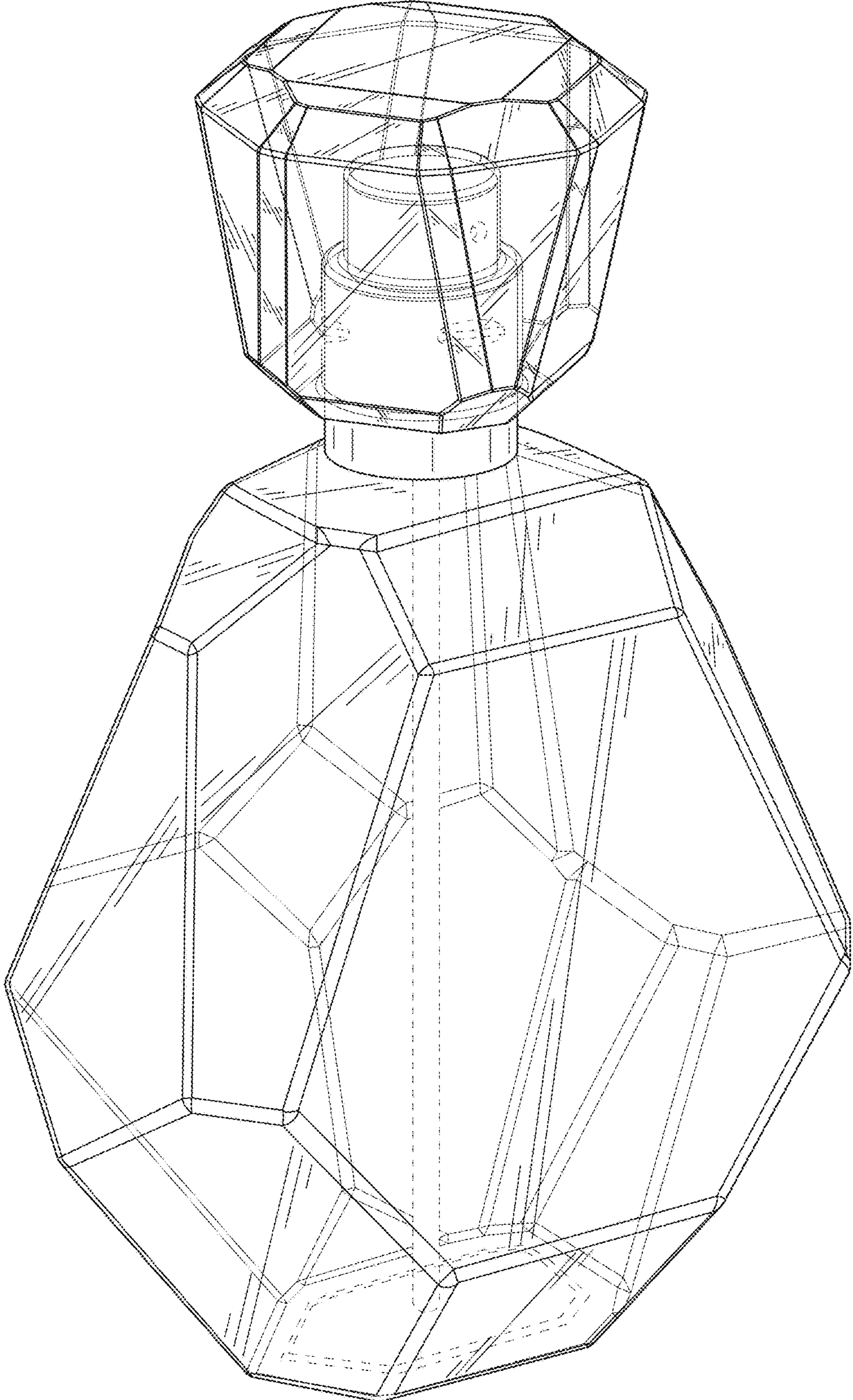


FIG. 1

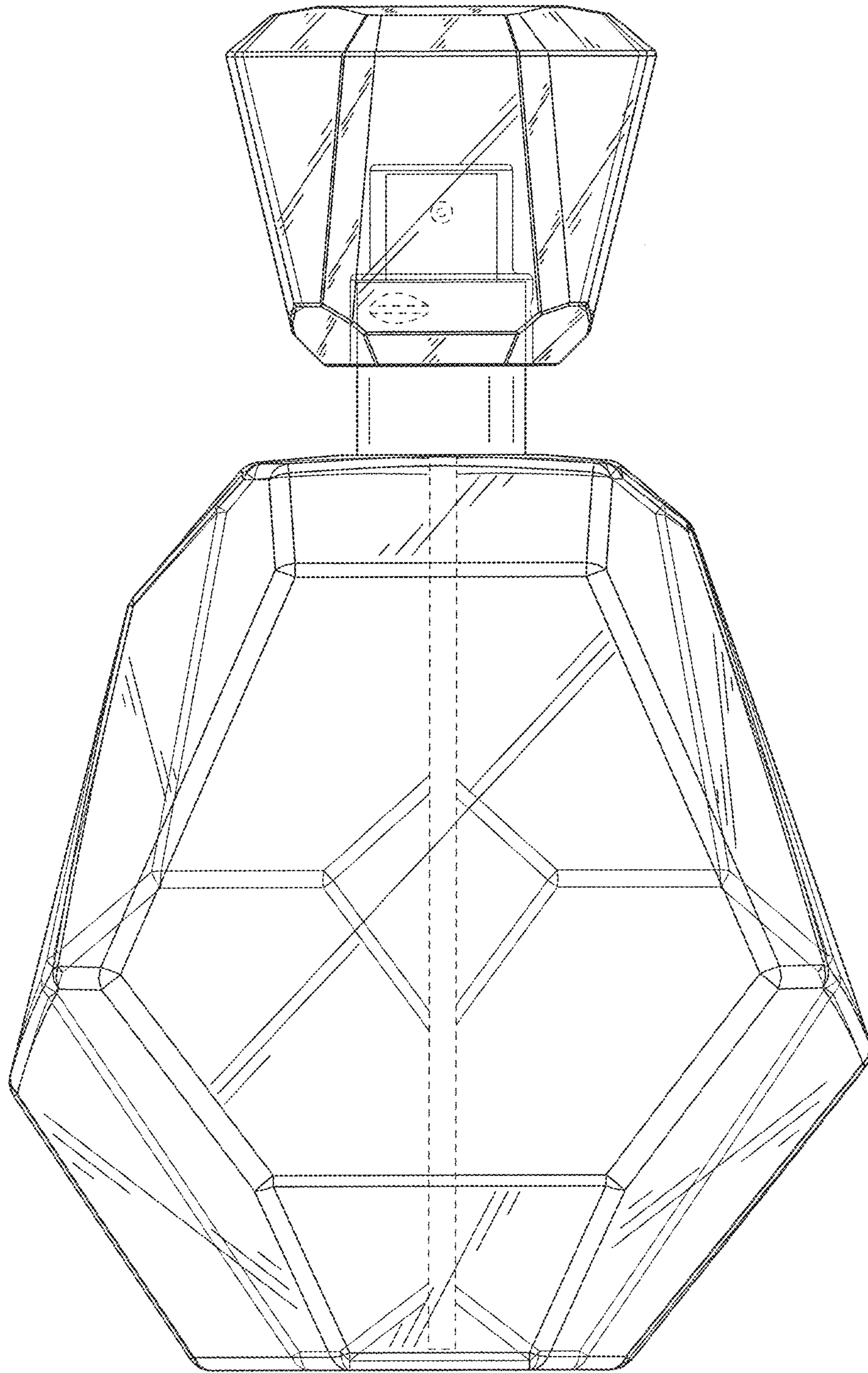


FIG. 2

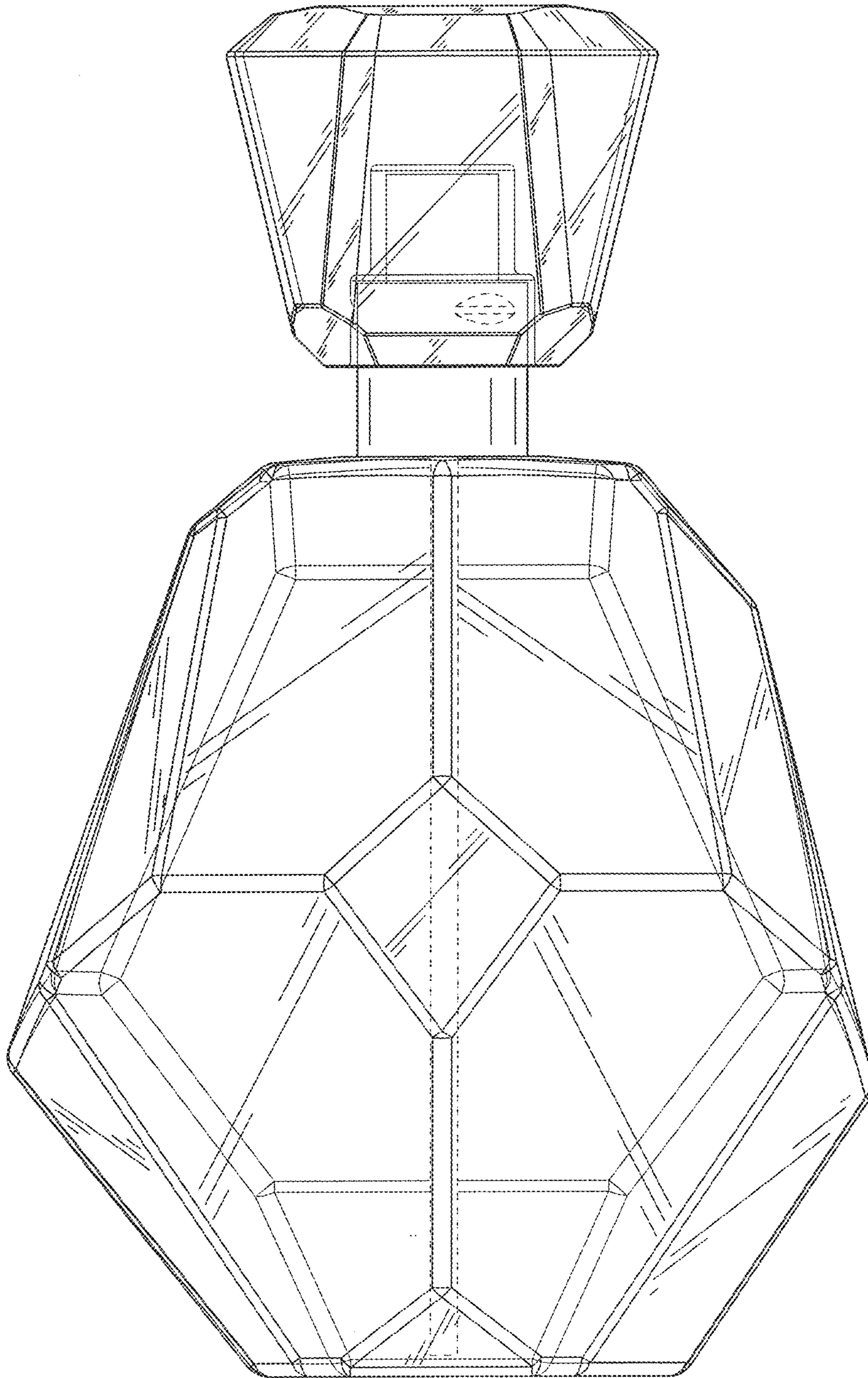


FIG. 3

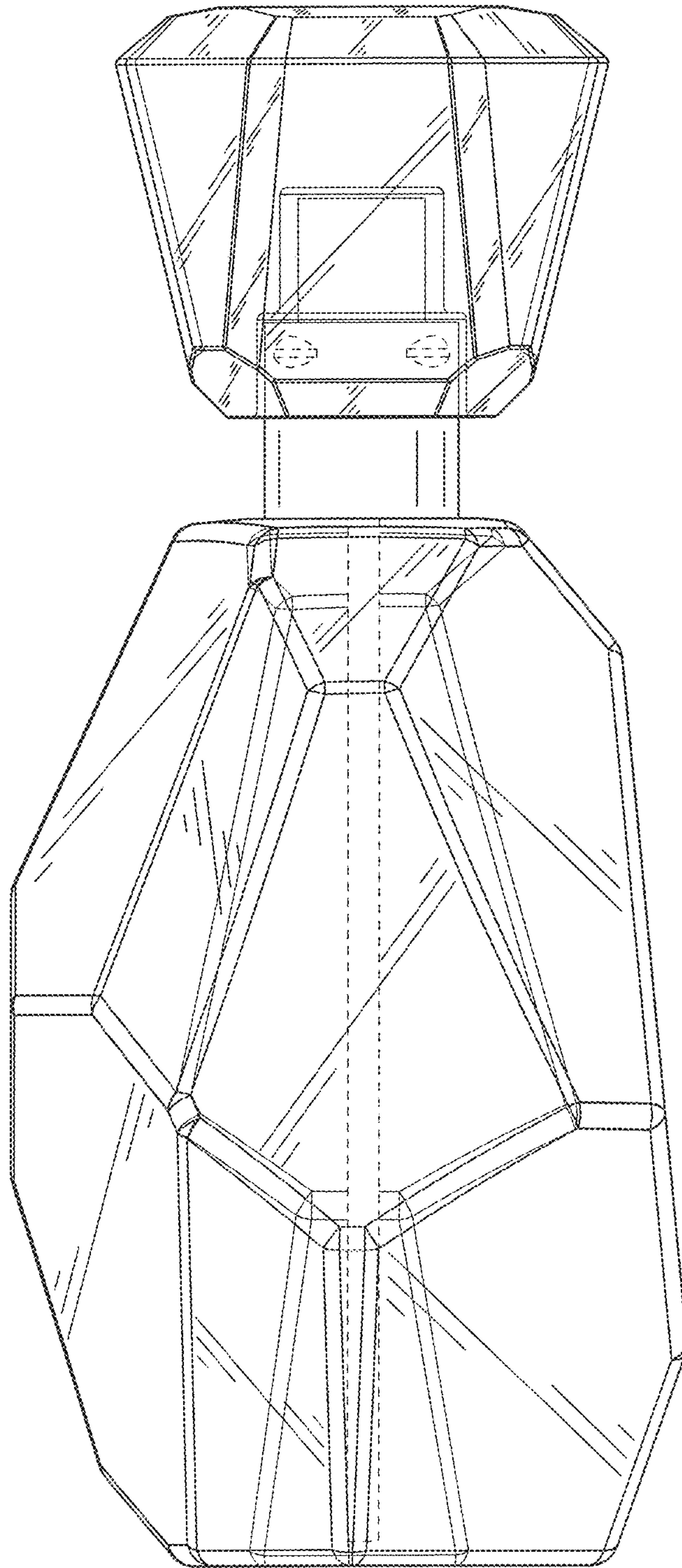


FIG. 4

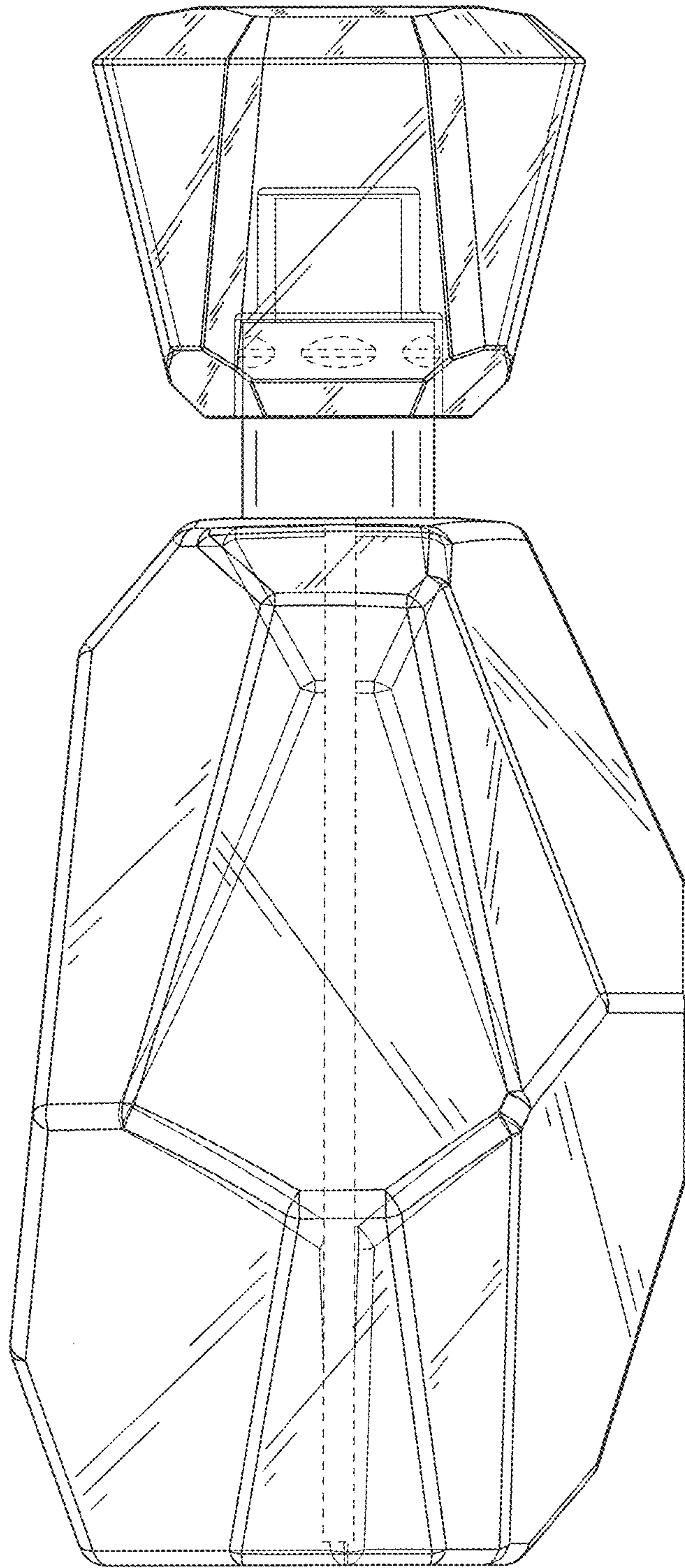


FIG. 5

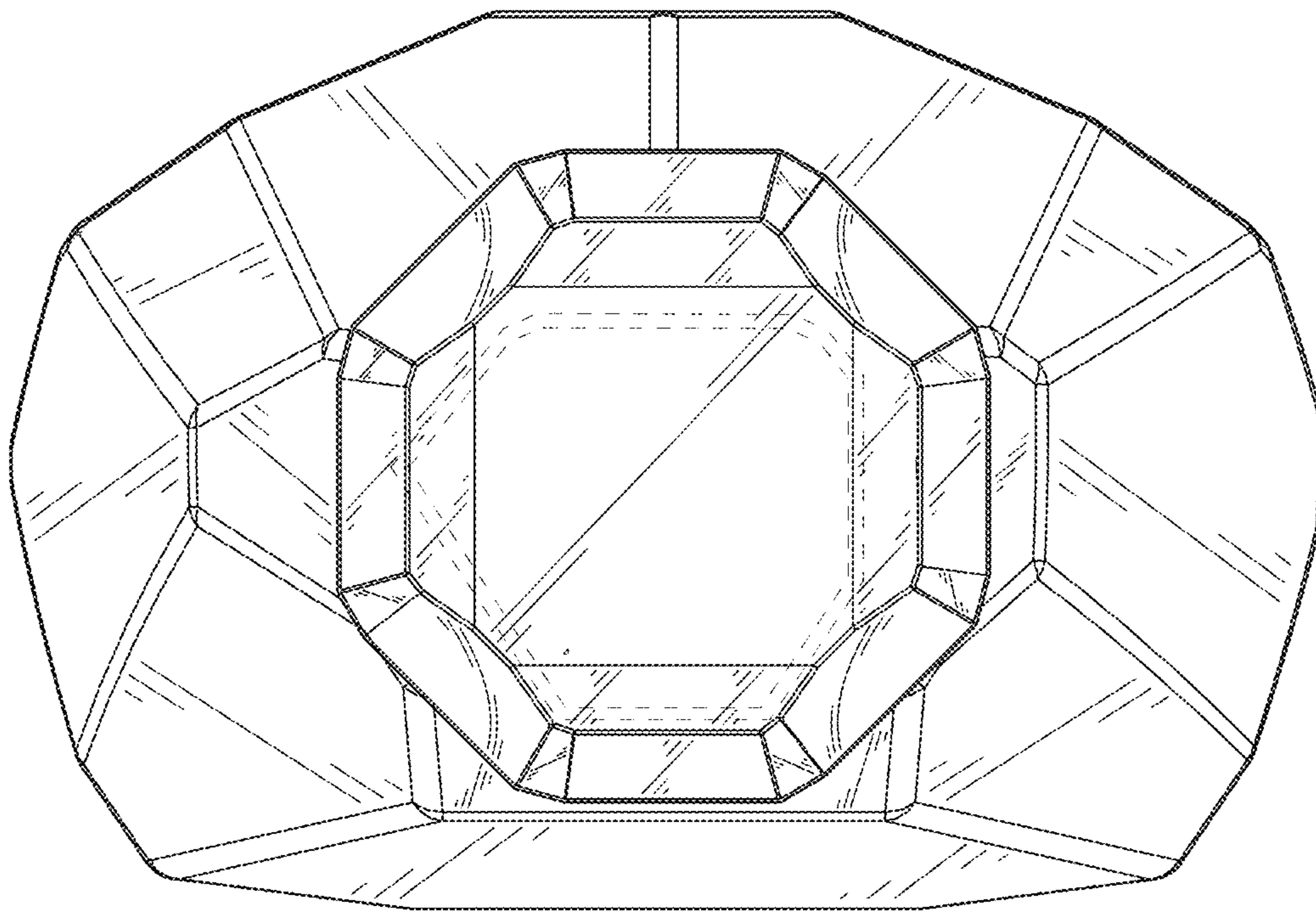


FIG. 6

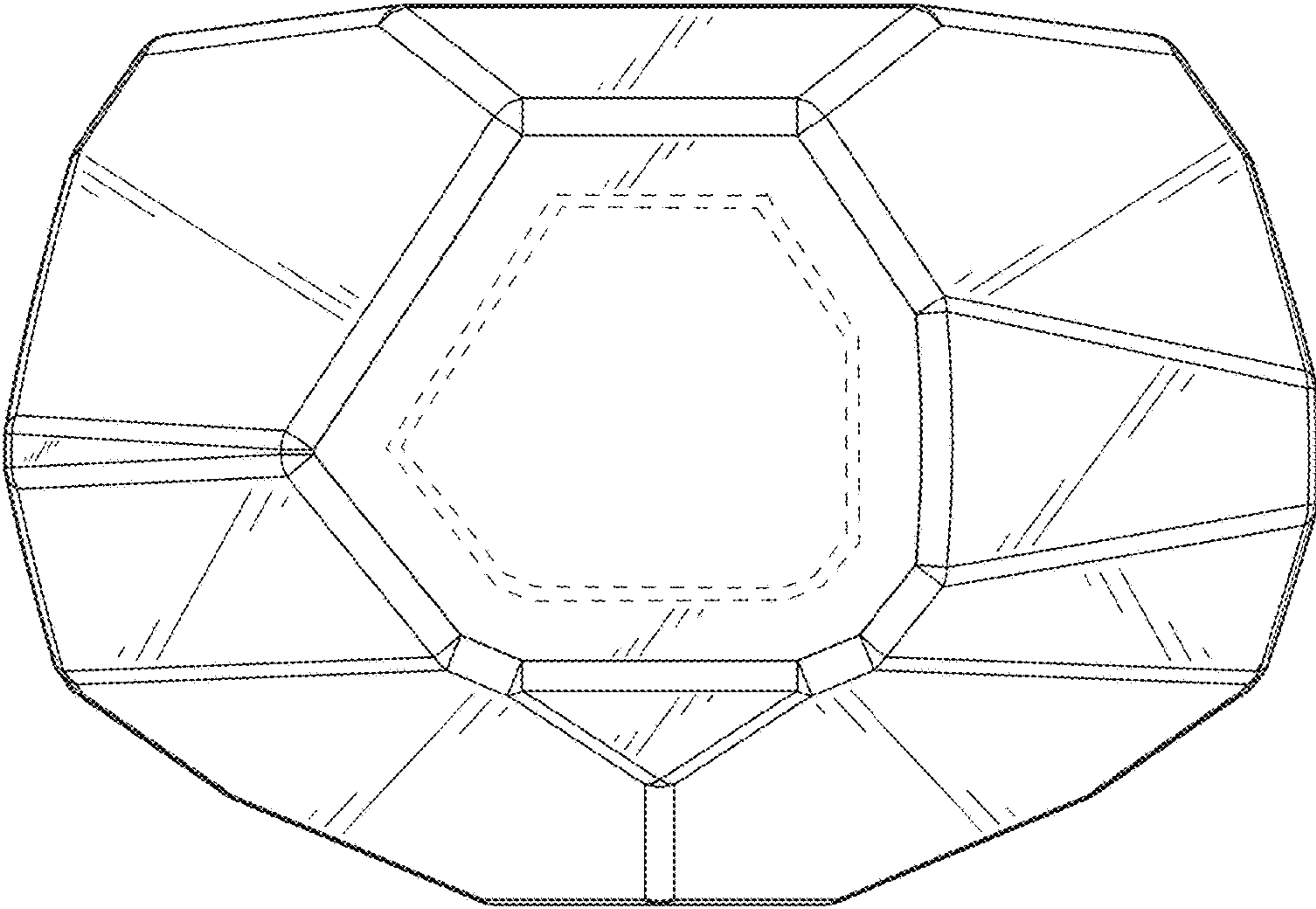


FIG. 7