



US00D802426S

(12) **United States Design Patent**  
**Luu et al.**

(10) **Patent No.:** **US D802,426 S**

(45) **Date of Patent:** **\*\* Nov. 14, 2017**

(54) **BOTTLE**

(71) Applicant: **LeChat**, Hercules, CA (US)

(72) Inventors: **Newton Luu**, Hercules, CA (US);  
**Christina Kleppe**, Antioch, CA (US)

(73) Assignee: **LeChat**, Hercules, CA (US)

(\*\*) Term: **15 Years**

(21) Appl. No.: **29/583,010**

(22) Filed: **Nov. 1, 2016**

**Related U.S. Application Data**

(62) Division of application No. 29/494,522, filed on Jun. 20, 2014, now Pat. No. Des. 770,284.

(51) **LOC (10) Cl.** ..... **09-01**

(52) **U.S. Cl.**  
USPC ..... **D9/502**

(58) **Field of Classification Search**  
USPC ..... D4/116; D28/7, 76-77, 88  
CPC .... B65D 1/0002; B65D 1/0223; B65D 23/00;  
B65D 81/00; B65D 83/00; B65D  
2501/00; B65D 2501/0009; A45D 34/00;  
A45D 34/42; A45D 34/45; A45D 34/46;  
A45D 34/48; A45D 34/06; A45D  
2034/007; A45D 40/0068; A45D 40/0075;  
A45D 40/26; A45D 40/262; A45D  
40/264; A45D 40/265

See application file for complete search history.

(56) **References Cited**

**U.S. PATENT DOCUMENTS**

D111,313 S 9/1938 Titze  
D116,813 S 9/1939 Bost  
D117,843 S 11/1939 Smith

D166,116 S	3/1952	Menefee, Jr.	
2,832,981 A	5/1958	Ernst	
3,337,901 A	8/1967	Schefer et al.	
D208,885 S	10/1967	Roehrich	
D216,250 S	12/1969	Kneapler	
D252,445 S	7/1979	Rhodes	
4,189,245 A	2/1980	Bennett	
4,280,638 A	7/1981	Keihm	
D316,034 S	4/1991	DeGaetano	
D329,592 S	9/1992	Crawford	
D330,859 S	11/1992	Schaeffer	
D344,804 S	3/1994	Muniz	
D379,764 S	6/1997	Litton	
D383,980 S	9/1997	Abfier et al.	
D469,356 S	1/2003	Vo	
6,966,716 B2	11/2005	Pink	
7,311,457 B2	12/2007	Pink	
D561,027 S	2/2008	Nguyen	
D604,167 S	11/2009	Tran	
D695,121 S	12/2013	Seo	
D701,124 S	3/2014	O'Hara	
D721,966 S	2/2015	Mathiez	
D757,551 S *	5/2016	Pires	D9/503
D757,553 S *	5/2016	Pires	D9/503
D758,865 S *	6/2016	Pires	D9/503
D770,284 S *	11/2016	Luu	D9/452
D770,285 S *	11/2016	Luu	D9/454

(Continued)

*Primary Examiner* — Dana L Meyrow

(74) *Attorney, Agent, or Firm* — Aka Chan LLP

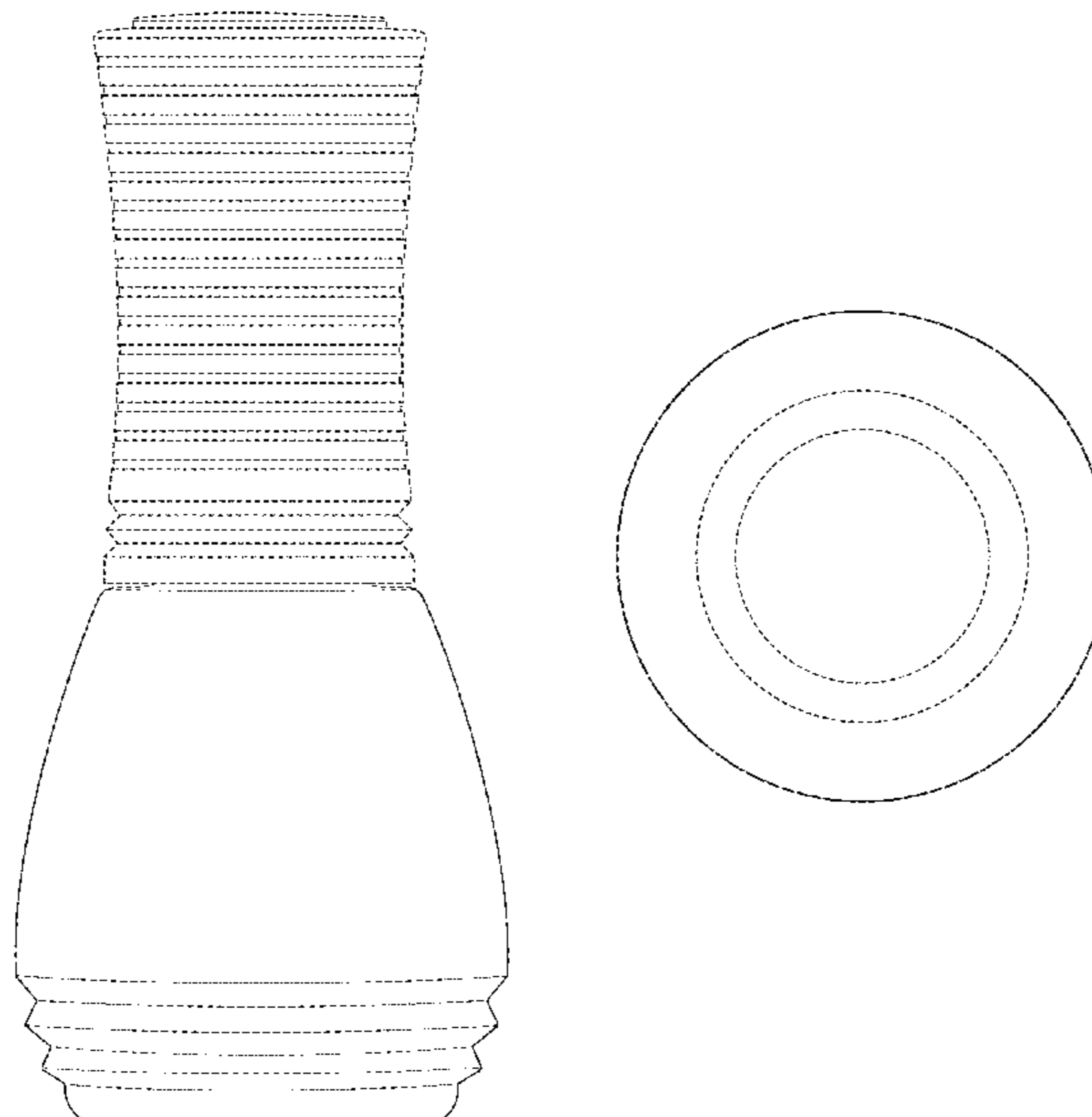
(57) **CLAIM**

The ornamental design for a bottle, as shown and described.

**DESCRIPTION**

FIG. 1 shows a perspective view of a design for a bottle. FIG. 2 shows a side view of FIG. 1. FIG. 3 shows a top view of FIG. 1; and, FIG. 4 shows a bottom view of FIG. 1. The broken lines in the drawings illustrate the portions of the bottle that form no part of the claim.

**1 Claim, 4 Drawing Sheets**



(56)

**References Cited**

U.S. PATENT DOCUMENTS

D770,295 S \* 11/2016 Luu ..... D9/452  
D770,901 S \* 11/2016 Luu ..... D9/452  
D772,579 S \* 11/2016 Baranes ..... D4/116  
2002/0039513 A1 4/2002 Pink  
2006/0213863 A1 9/2006 Tran et al.

\* cited by examiner

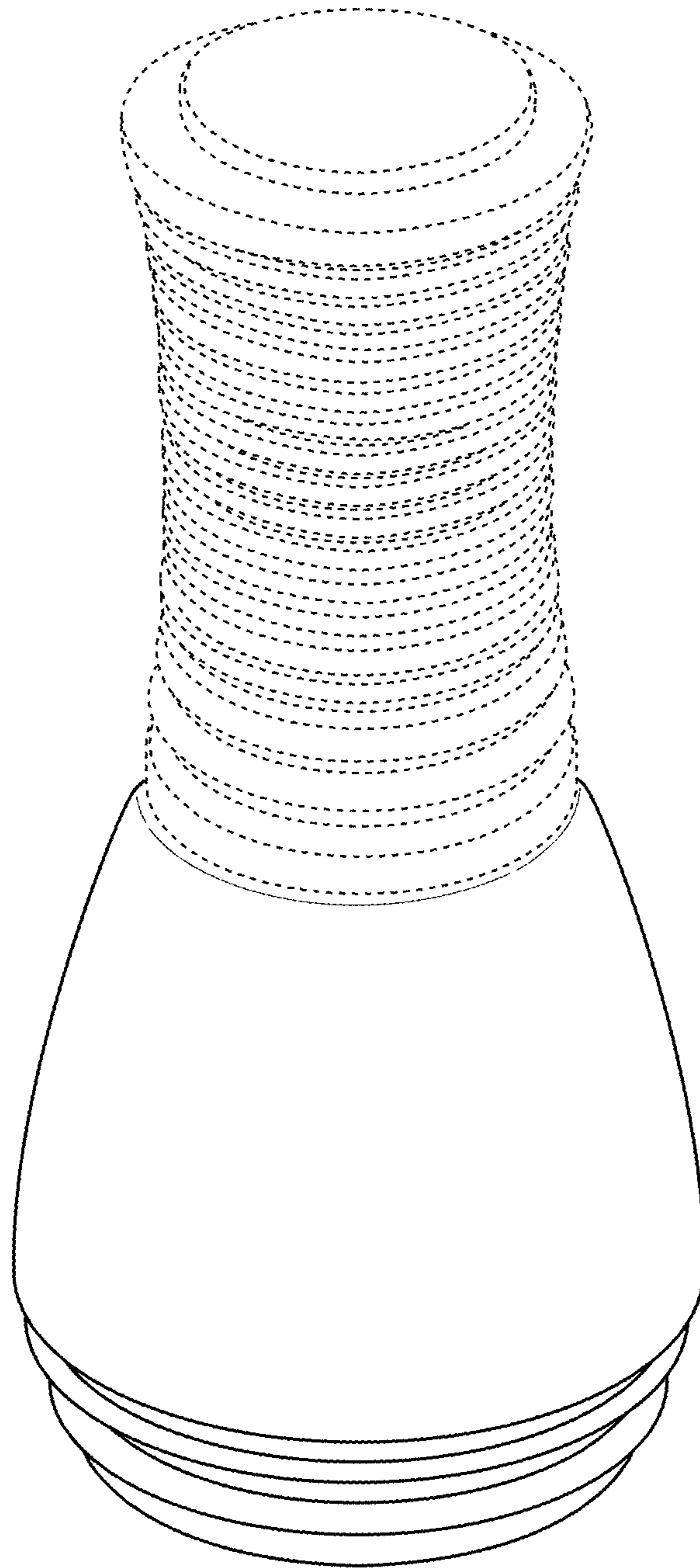


FIG. 1

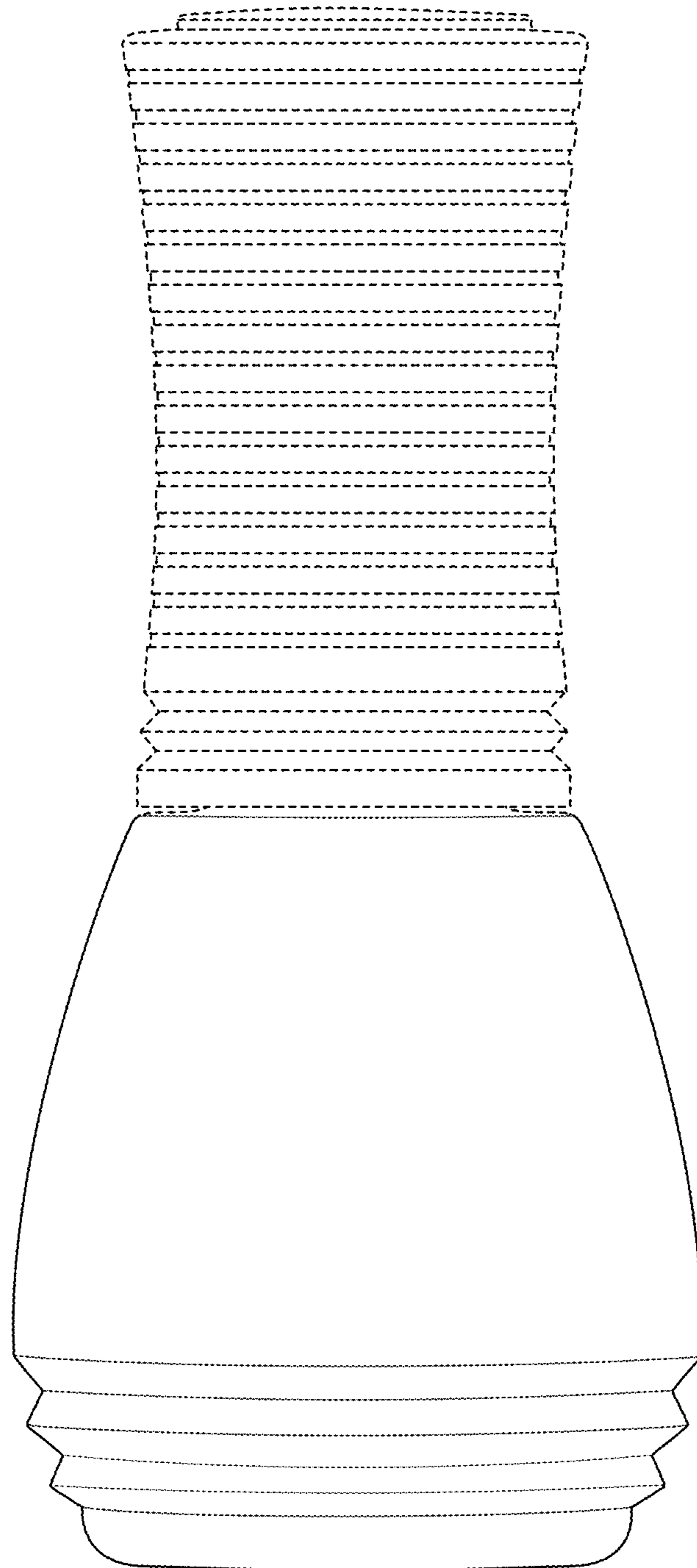
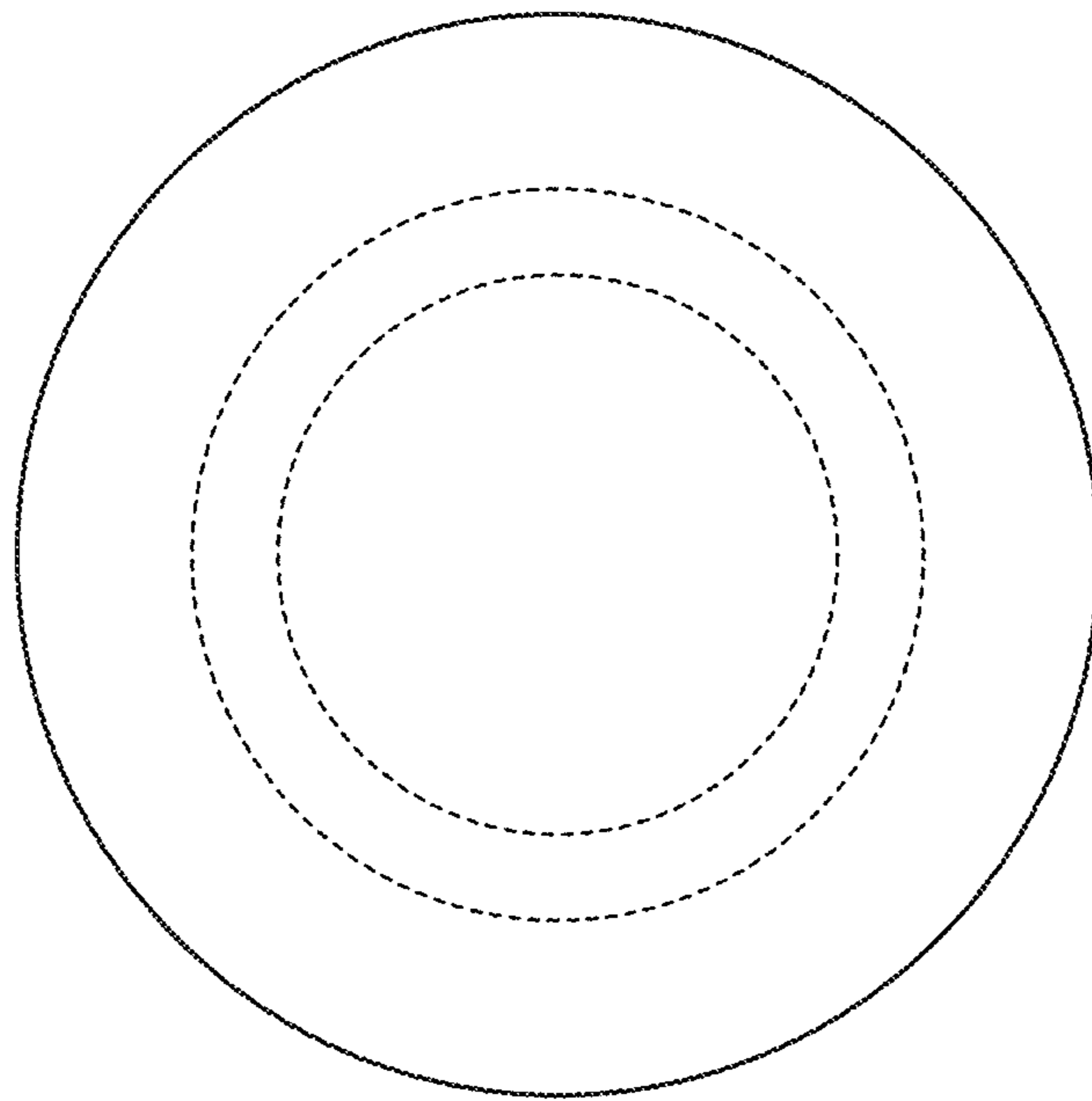
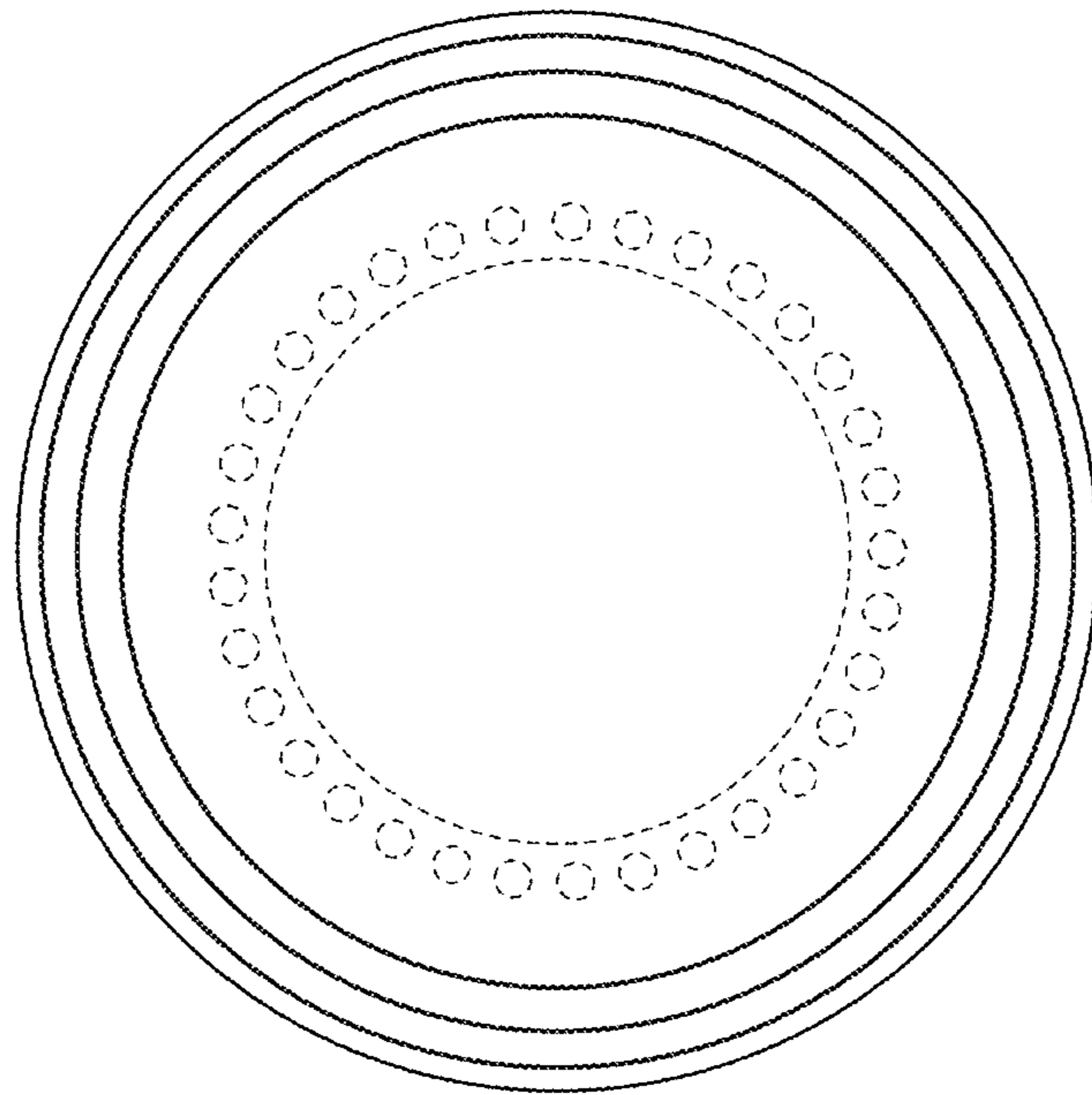


FIG. 2



**FIG. 3**



**FIG. 4**