



US00D802423S

(12) **United States Design Patent** (10) **Patent No.:** **US D802,423 S**  
**Laib et al.** (45) **Date of Patent:** **\*\* Nov. 14, 2017**

(54) **CONTAINER**

(71) Applicant: **Owens-Brockway Glass Container Inc., Perrysburg, OH (US)**

(72) Inventors: **Douglas Laib, Perrysburg, OH (US); Young Lee, Perrysburg, OH (US)**

(73) Assignee: **Owens-Brockway Glass Container Inc., Perrysburg, OH (US)**

(\*\*) Term: **15 Years**

(21) Appl. No.: **29/551,744**

(22) Filed: **Jan. 15, 2016**

(51) **LOC (10) Cl.** ..... **09-01**

(52) **U.S. Cl.**  
USPC ..... **D9/500**

(58) **Field of Classification Search**  
USPC ..... D9/500–505, 516, 529, 530, 537, 538,  
D9/541, 549–559, 569, 570, 774, 776,  
D9/692, 694, 723–728, 745, 746;  
D28/76–91.1  
CPC .... A45D 33/00; A45D 33/003; A45D 33/006;  
A45D 33/02; A45D 33/025; A45D 33/18;  
A45D 33/22; A45D 34/00; A45D  
2034/007; A45D 34/02; A45D 40/40;  
A45D 40/0068;

(Continued)

(56) **References Cited**

**U.S. PATENT DOCUMENTS**

1,054,833 A \* 3/1913 Dutton ..... A47J 43/27  
220/4.21

D199,700 S \* 12/1964 Lowry ..... D9/504  
(Continued)

**OTHER PUBLICATIONS**

Jar, posted at cmog.org, circa 100-299, © 2002—Corning Museum of Glass,[online], [site visited Jun. 15, 2017]. Available from

Internet, <URL: <http://www.cmog.org/artwork/jar-36?search=collection%3A4f1711f343f9457cede422a9d68aec28&page=171>>.\*

(Continued)

*Primary Examiner* — Catherine Tuttle  
*Assistant Examiner* — Mary Malley

(57) **CLAIM**

We claim an ornamental design for a container, as shown and described.

**DESCRIPTION**

FIG. 1 is a perspective view of a container in accordance with an embodiment of our new claimed design.

FIG. 2 is a front side view of the container in FIG. 1.

FIG. 3 is a right side view of the container in FIG. 1.

FIG. 4 is a rear side view of the container in FIG. 1.

FIG. 5 is a left side view of the container in FIG. 1.

FIG. 6 is a top view of the container in FIG. 1.

FIG. 7 is a bottom view of the container in FIG. 1.

FIG. 8 is a perspective view of a container in accordance with another embodiment of our new claimed design.

FIG. 9 is a front side view of the container in FIG. 8.

FIG. 10 is a right side view of the container in FIG. 8.

FIG. 11 is a rear side view of the container in FIG. 8.

FIG. 12 is a left side view of the container in FIG. 8.

FIG. 13 is a top view of the container in FIG. 8; and,

FIG. 14 is a bottom view of the container in FIG. 8.

The terms top, left, right, bottom, rear, side, and front are used for reference only and do not limit the claimed design.

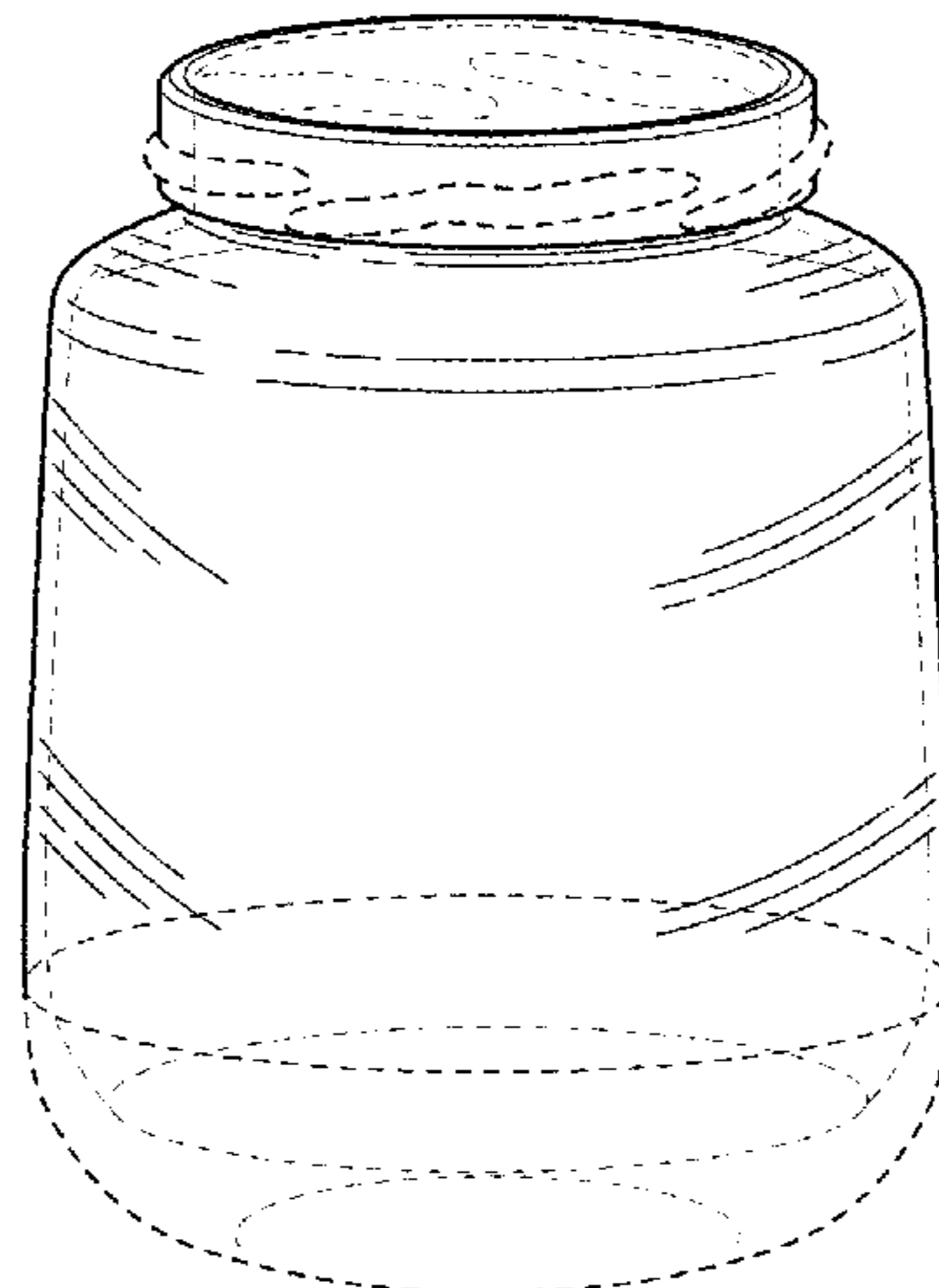
The dash-dash-dash broken lines show the portions of the container that are not part of the claimed design.

Dash-dot-dash broken lines shown in the drawings represent boundaries of the claimed design and are not part of the claimed design.

Shading lines shown in the drawings represent surface character and/or contour, and such lines are not part of the claimed design.

Portions of the container not shown in the drawings form no part of the claimed design.

**1 Claim, 4 Drawing Sheets**



(58) **Field of Classification Search**  
 CPC ..... A45D 40/0075; A45D 2040/12; A45D  
 2200/05; A45D 2200/051; A45D  
 2200/052; A45D 2200/053; B65D 1/0246  
 See application file for complete search history.

(56) **References Cited**

U.S. PATENT DOCUMENTS

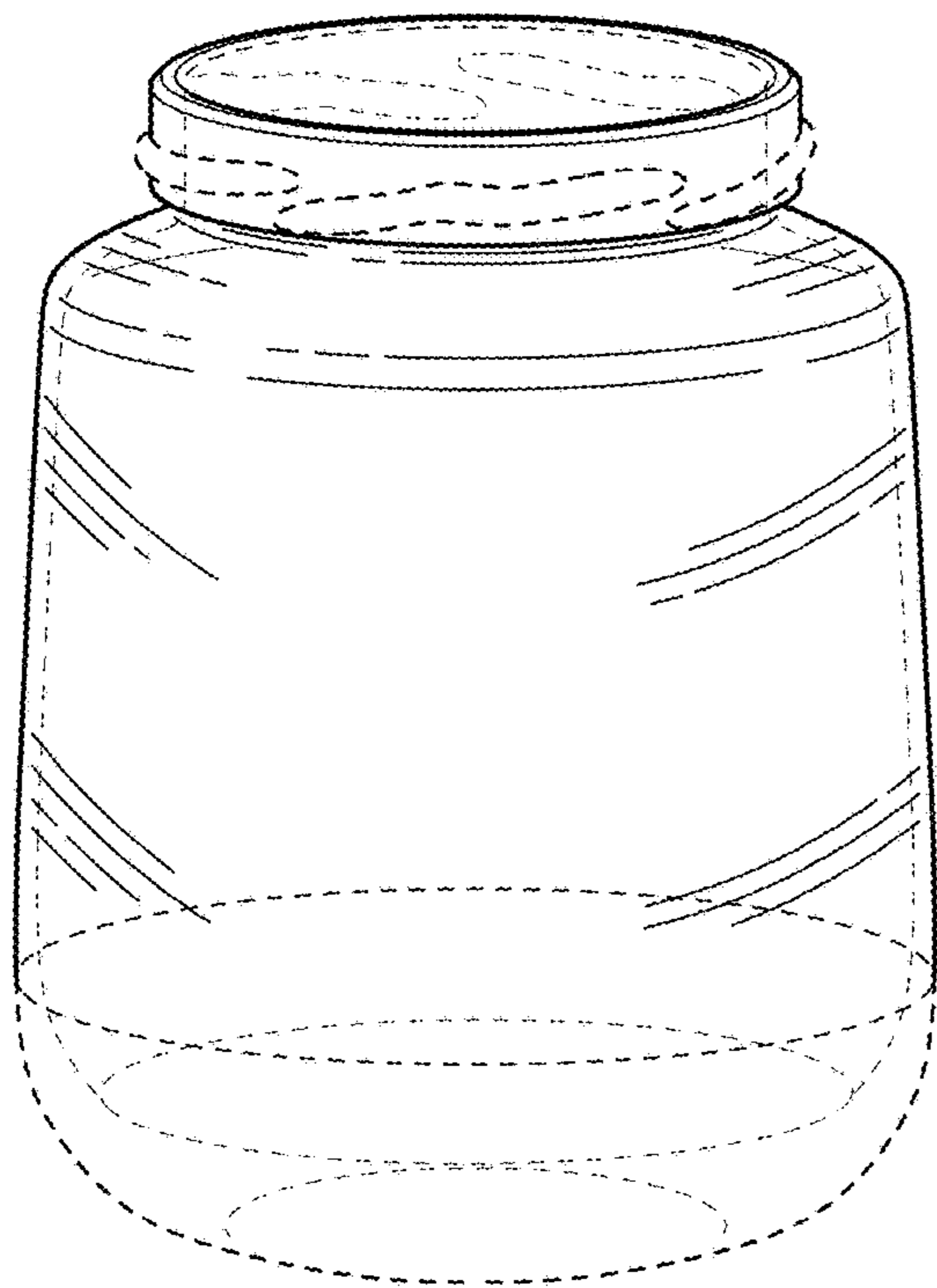
D206,028 S \* 10/1966 Bartlett ..... D7/540  
 D214,159 S \* 5/1969 Hart et al. .... D9/503  
 D218,354 S \* 8/1970 Kikuchi ..... D7/300.1  
 D247,847 S \* 5/1978 Kretz ..... D9/500  
 D252,796 S 9/1979 Fortuna et al.  
 D257,579 S 12/1980 Hayes  
 D266,485 S 10/1982 Guerette  
 D272,508 S 2/1984 Conti  
 D273,461 S \* 4/1984 Sevenoaks ..... D9/500  
 D275,649 S \* 9/1984 Shortino ..... D9/500  
 D278,885 S \* 5/1985 Fortuna ..... D9/428  
 D279,651 S 7/1985 Freeman  
 D283,594 S 4/1986 MacLaughlin et al.  
 D283,595 S 4/1986 Fortuna et al.  
 D283,597 S \* 4/1986 Strand ..... D9/558  
 D283,677 S 5/1986 Fortuna et al.  
 D285,655 S 9/1986 MacLaughlin et al.  
 4,665,682 A \* 5/1987 Kerins ..... B29C 49/0005  
 264/37.31  
 D298,108 S 10/1988 Heck et al.  
 D318,746 S 7/1991 Austin  
 D321,477 S 11/1991 Gunter  
 D368,771 S 4/1996 Patel et al.  
 D385,194 S \* 10/1997 Robbins, III ..... D9/502  
 D458,540 S \* 6/2002 Clements ..... D9/516  
 D467,805 S \* 12/2002 Restrepo ..... D9/500  
 D483,671 S 12/2003 Pinnavaia  
 D489,984 S 5/2004 Futral et al.  
 D498,424 S 11/2004 Moretti  
 D511,971 S 11/2005 Moretti  
 D531,930 S \* 11/2006 Cabre Roige ..... D11/152  
 D547,612 S \* 7/2007 Pao ..... D7/300.1  
 D569,251 S 5/2008 Varlet  
 D584,946 S 1/2009 Rica

D595,134 S 6/2009 Rica  
 D596,505 S 7/2009 Diss et al.  
 D596,958 S 7/2009 Diss et al.  
 D616,749 S 6/2010 Tivelli et al.  
 D624,418 S \* 9/2010 Sridhar ..... D24/115  
 D626,414 S 11/2010 Cresswell et al.  
 D633,794 S 3/2011 Cresswell et al.  
 D633,795 S 3/2011 Cresswell et al.  
 D633,796 S 3/2011 Cresswell et al.  
 D642,471 S \* 8/2011 White ..... D9/502  
 D657,248 S \* 4/2012 Lin ..... D9/502  
 D684,060 S \* 6/2013 Hodges ..... D9/500  
 D685,637 S 7/2013 Colon et al.  
 D694,112 S 11/2013 Brown  
 D703,057 S 4/2014 Moore et al.  
 D721,587 S 1/2015 Bos et al.  
 D722,273 S 2/2015 Ivie  
 D732,893 S \* 6/2015 Bronwasser ..... D7/510  
 D734,155 S 7/2015 Moore et al.  
 D749,419 S \* 2/2016 Grossman ..... D9/500  
 D754,485 S \* 4/2016 Lapsker ..... D7/523  
 9,314,956 B2 \* 4/2016 Porter ..... B29B 11/14  
 2012/0031870 A1 \* 2/2012 Porter ..... B29B 11/08  
 215/40  
 2012/0152882 A1 \* 6/2012 Tune ..... B65D 1/0223  
 215/40

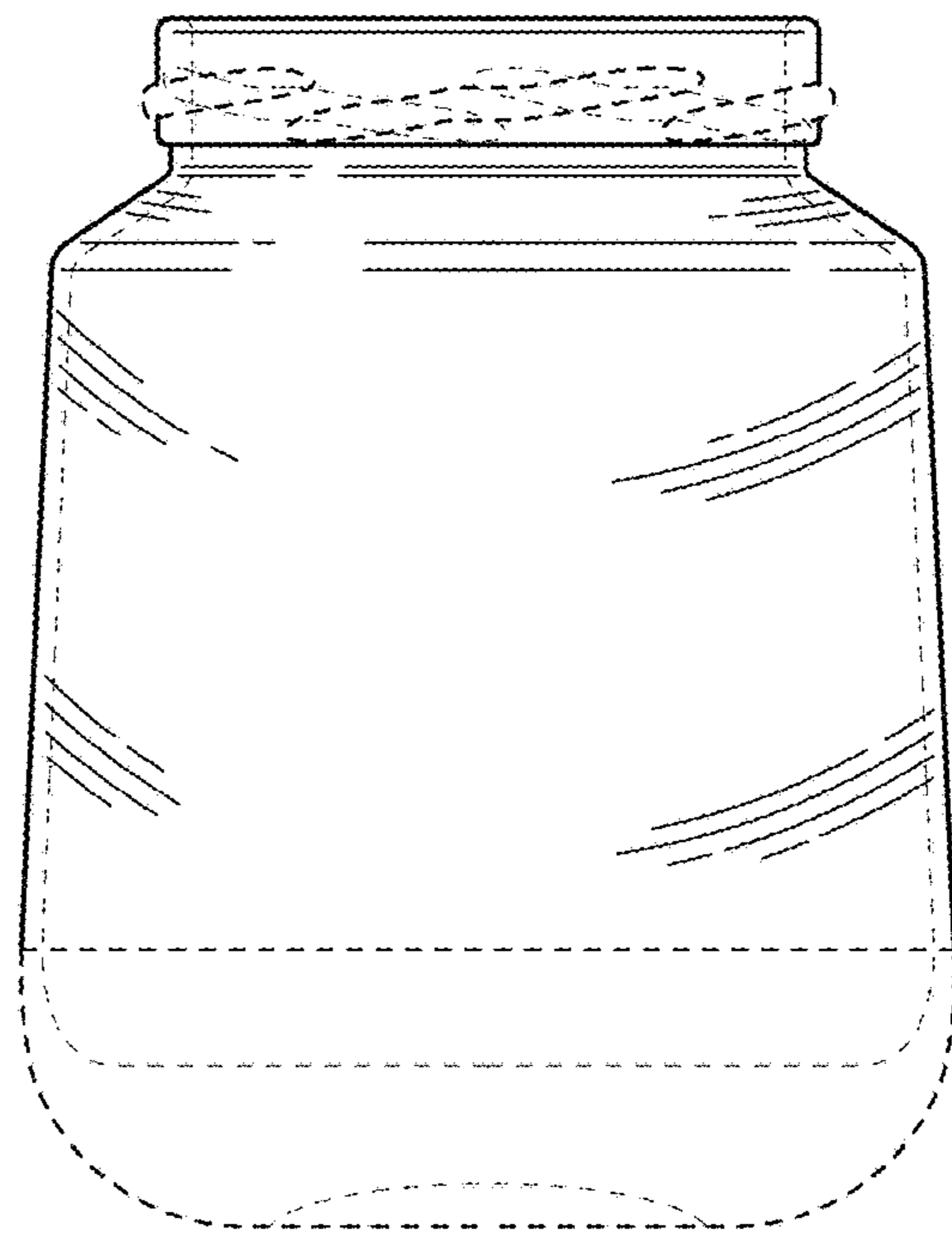
OTHER PUBLICATIONS

Kitchen Classique, posted at sweepstakesdiva.com, posted Jul. 28, 2015, [online], [site visited Jun. 9, 2017]. Available from Internet, <URL: <https://sweepstakediva.com/?s=kitchen+classique&submit=Go>>.\*  
 Cylinder Spice Jars With Metal Shaker Lids, Set of 4, posted at worldmarket.com, available Nov. 28, 2013, [online], [site visited Jun. 9, 2017]. Available from Internet, <URL: <https://www.worldmarket.com/product/cylinder-spice-jars-with-metal-shaker-lids-set-of-4.do>>.\*  
 Mama Life Hacks {#15}: Reusing Baby Food Jars, posted at misformama.net, posted Sep. 21, 2015, [online], [site visited May 25, 2017]. Available from Internet, <URL: <http://misformama.net/2015/09/mama-life-hacks-15-reusing-baby-food-jars.html>>.\*

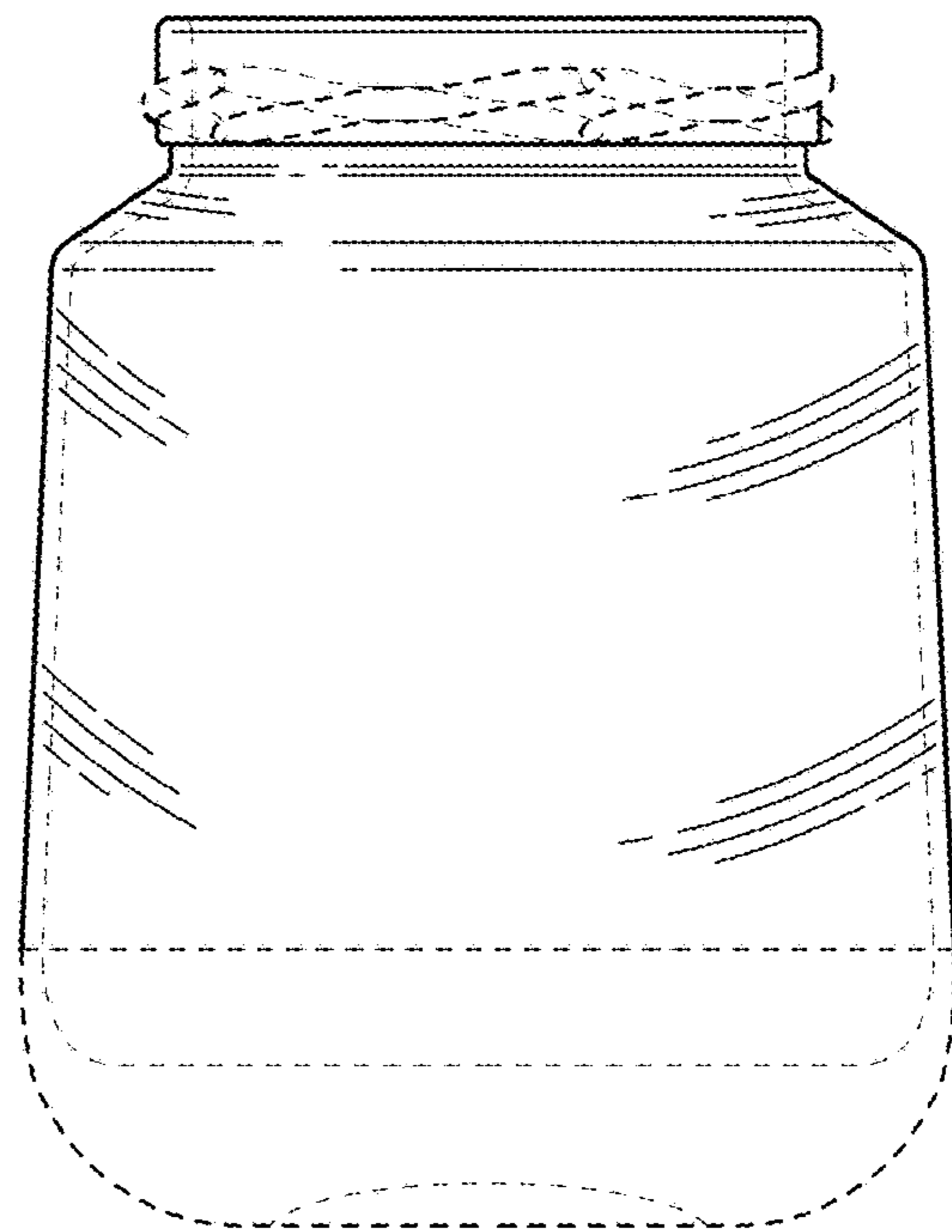
\* cited by examiner



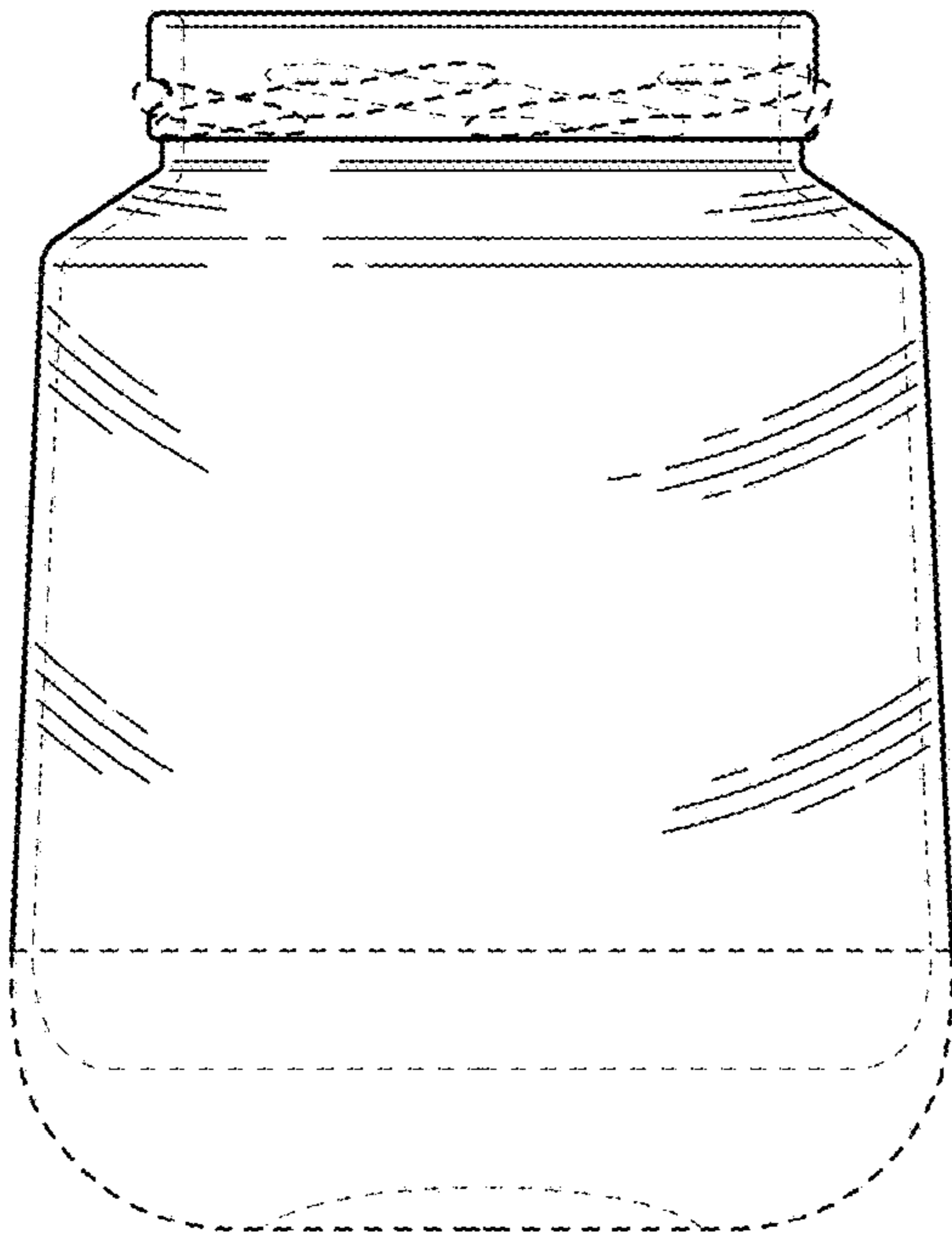
**FIG. 1**



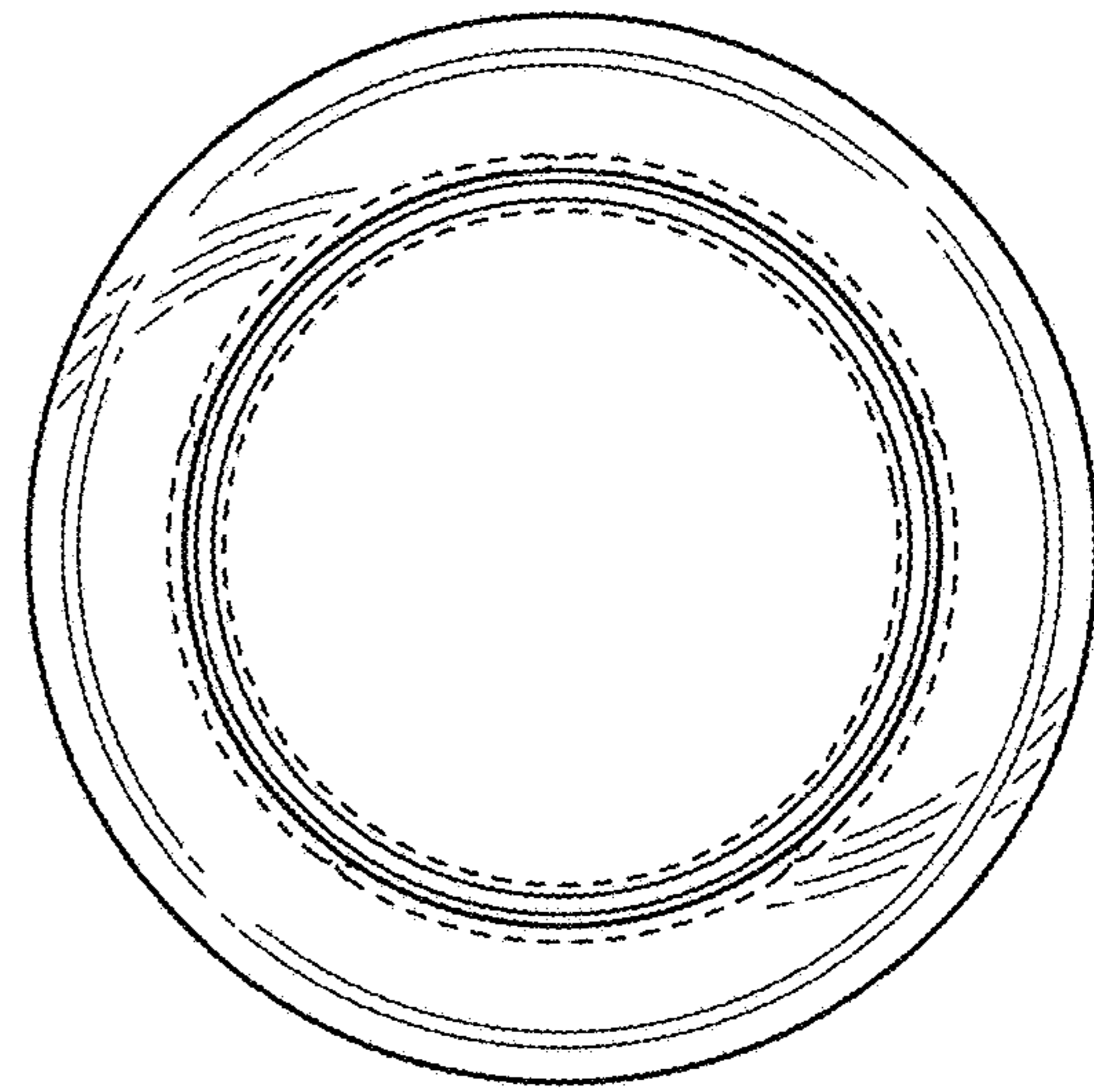
**FIG. 2**



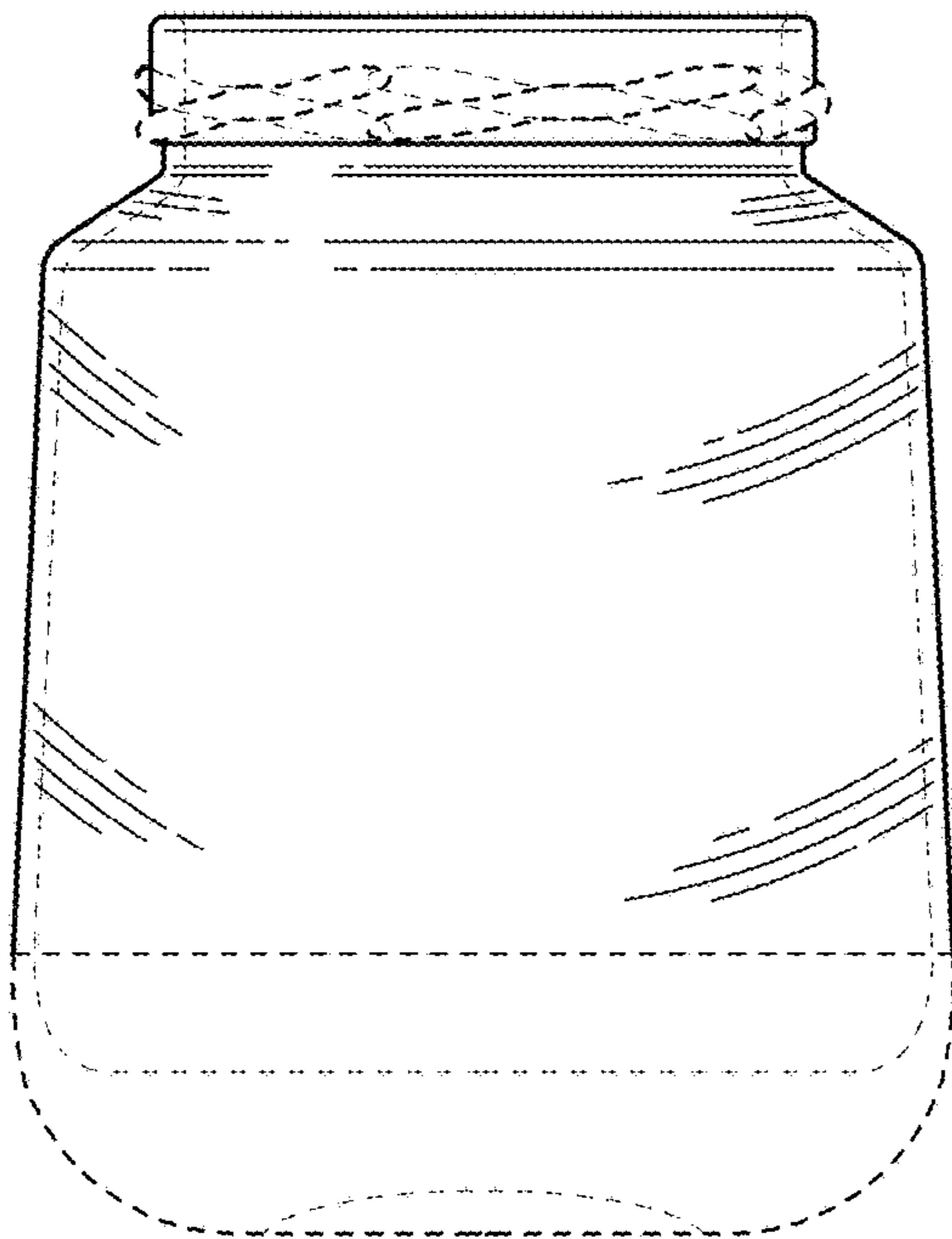
**FIG. 3**



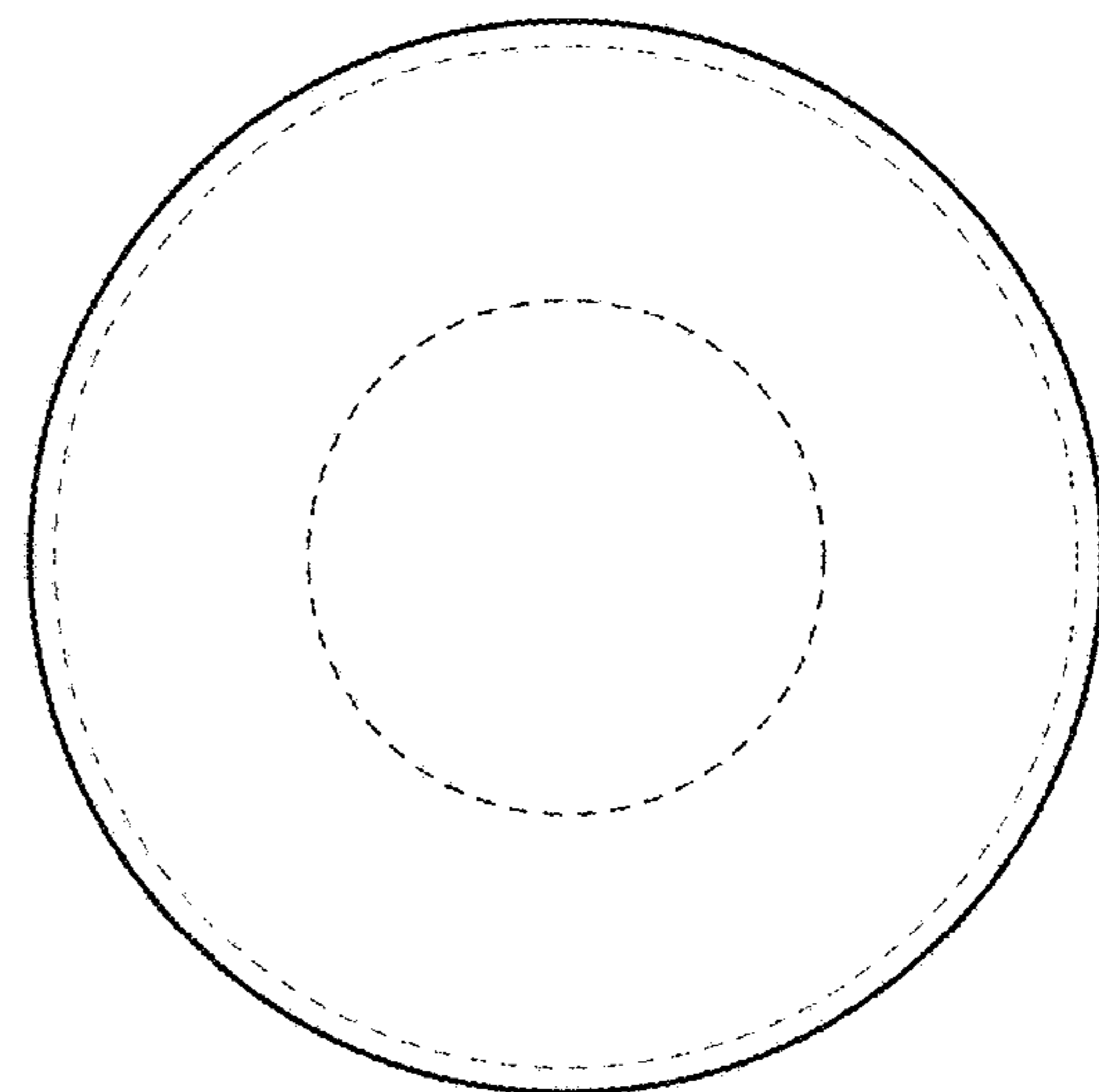
**FIG. 4**



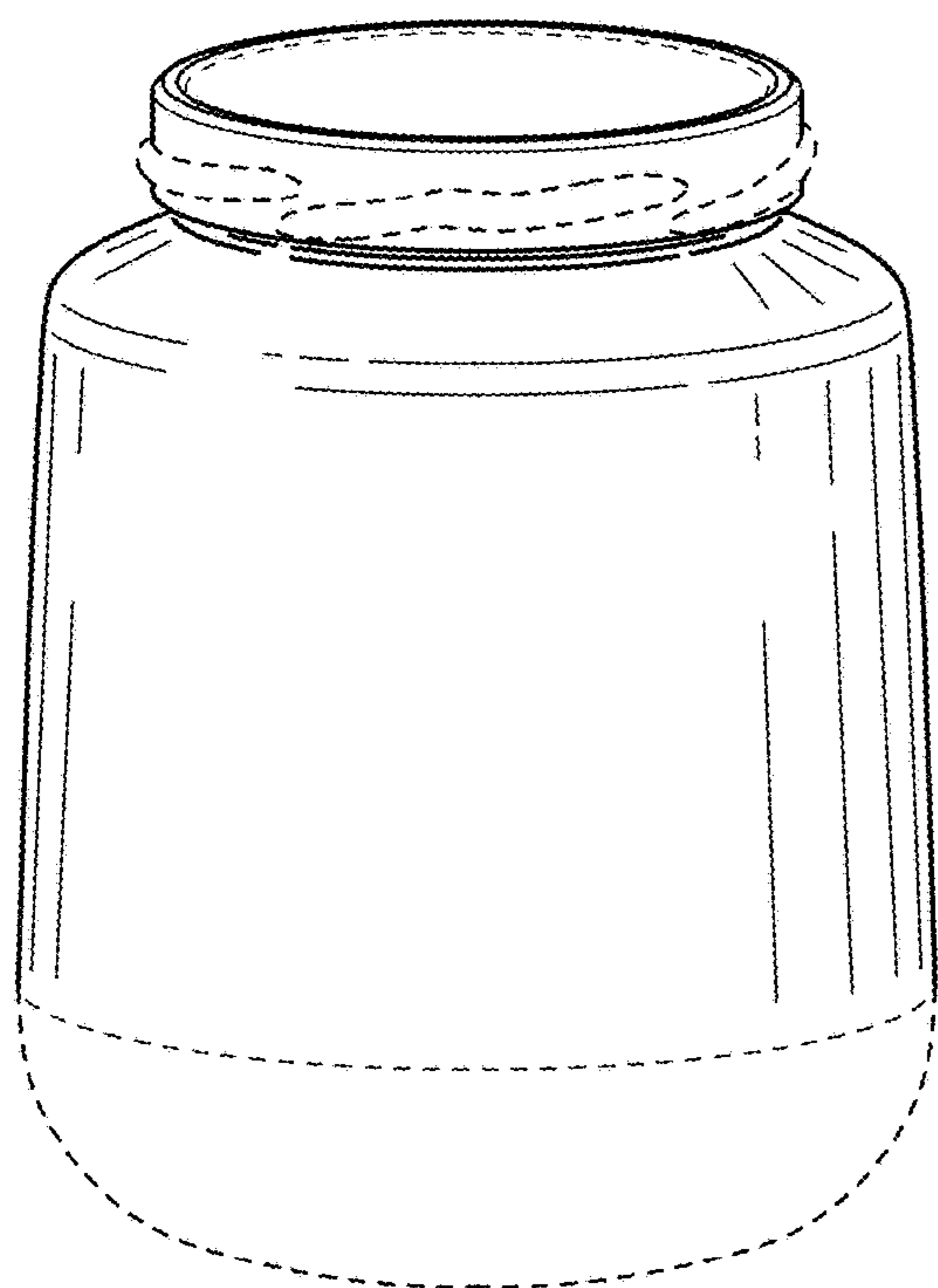
**FIG. 6**



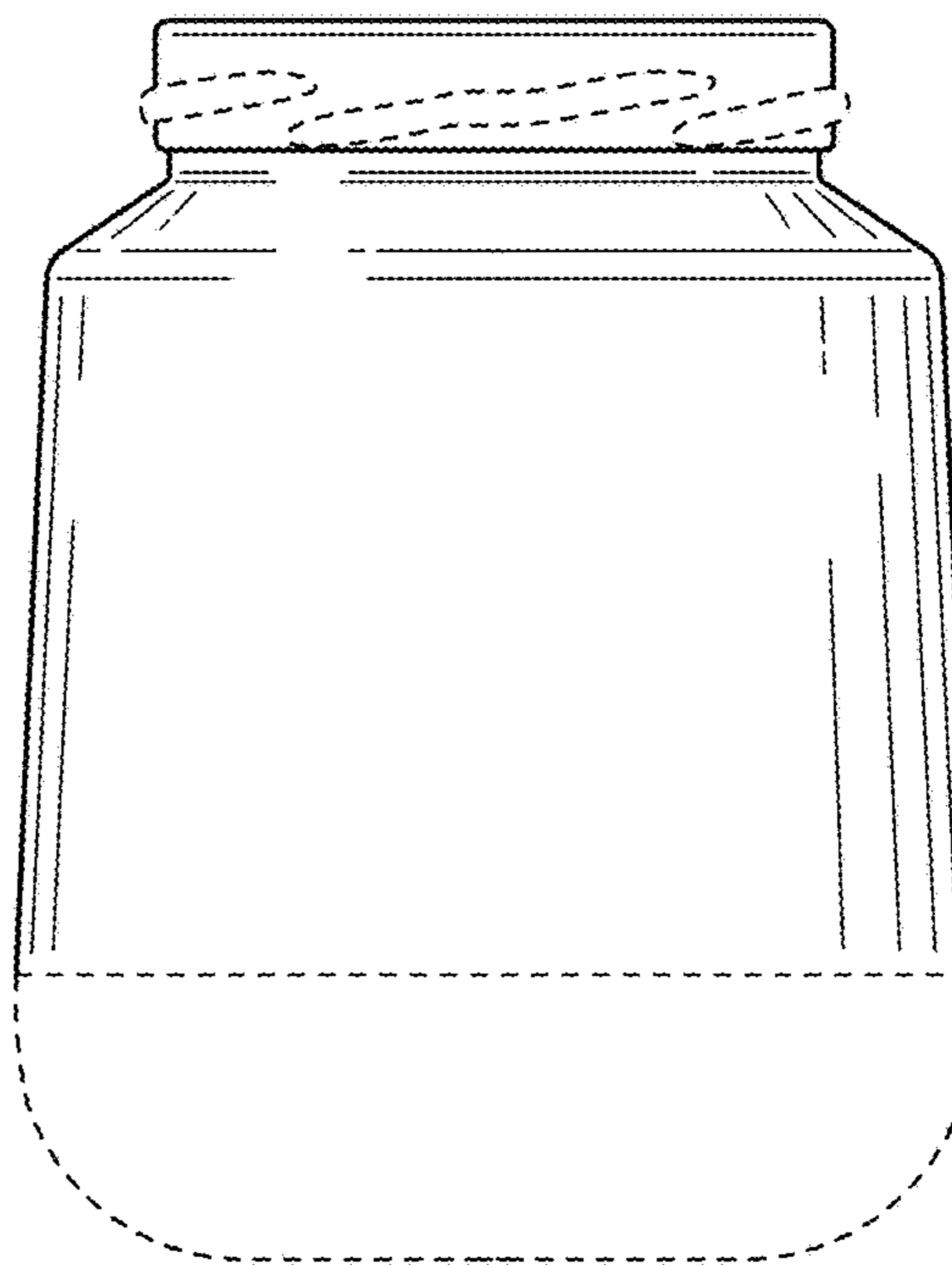
**FIG. 5**



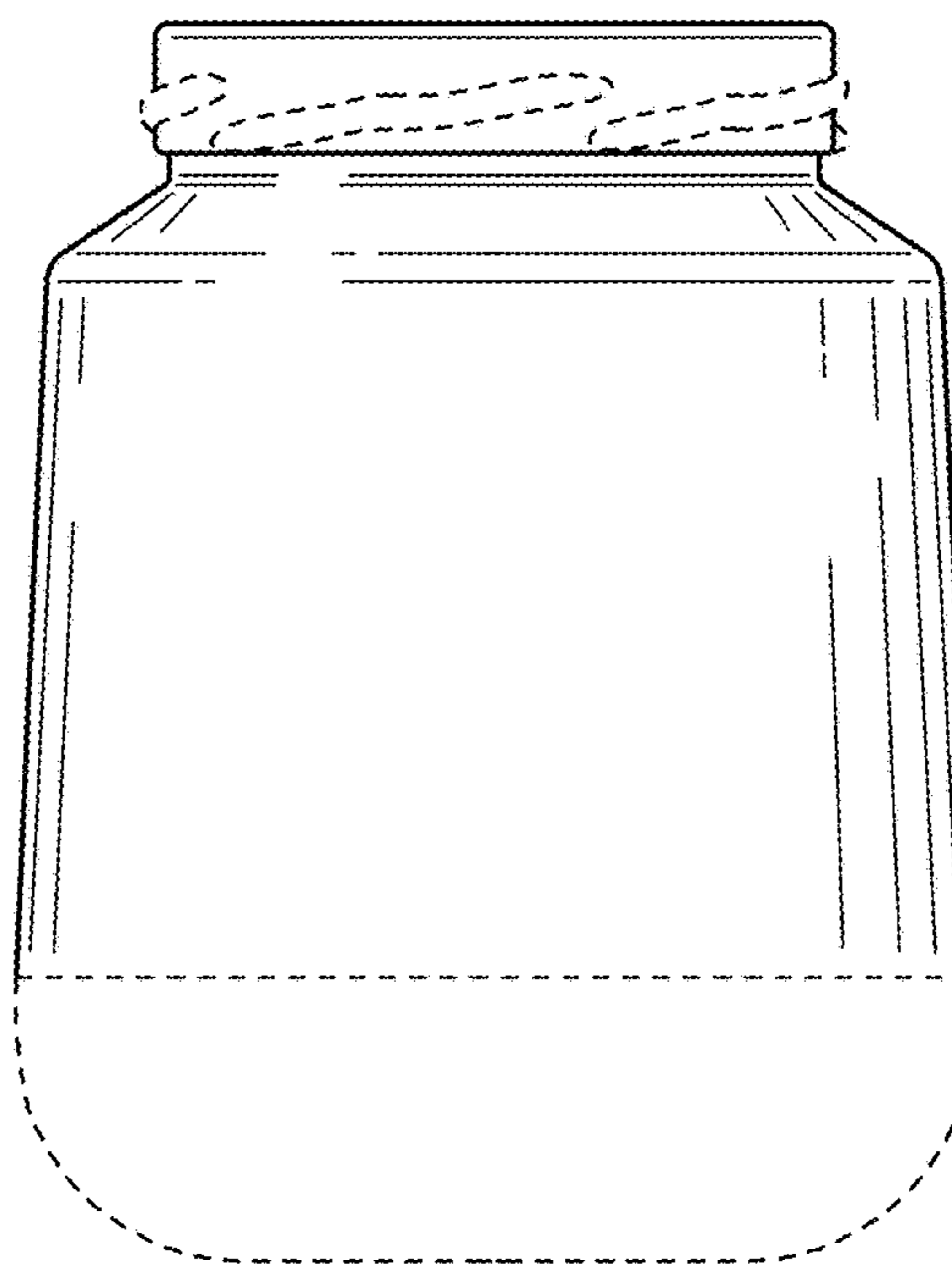
**FIG. 7**



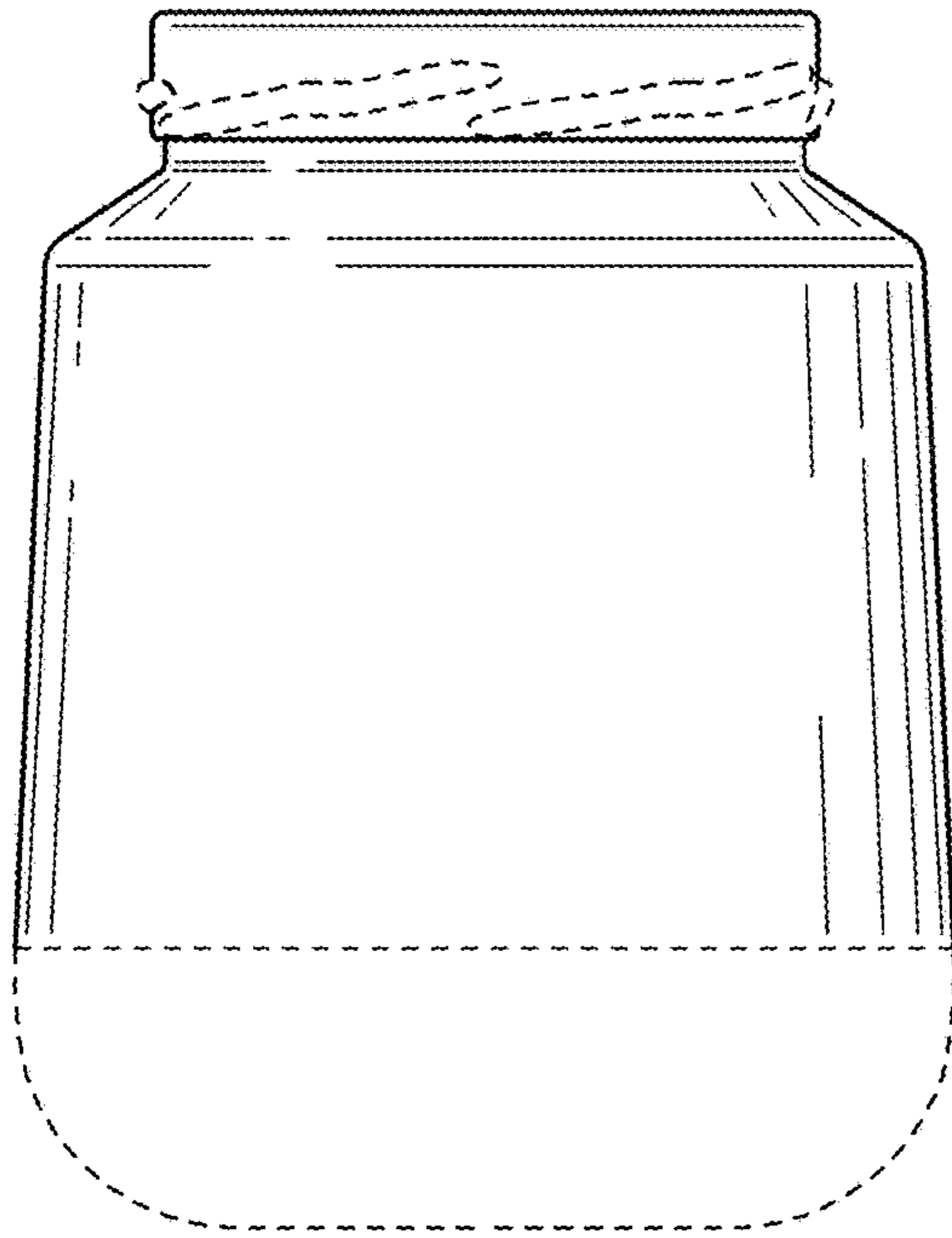
**FIG. 8**



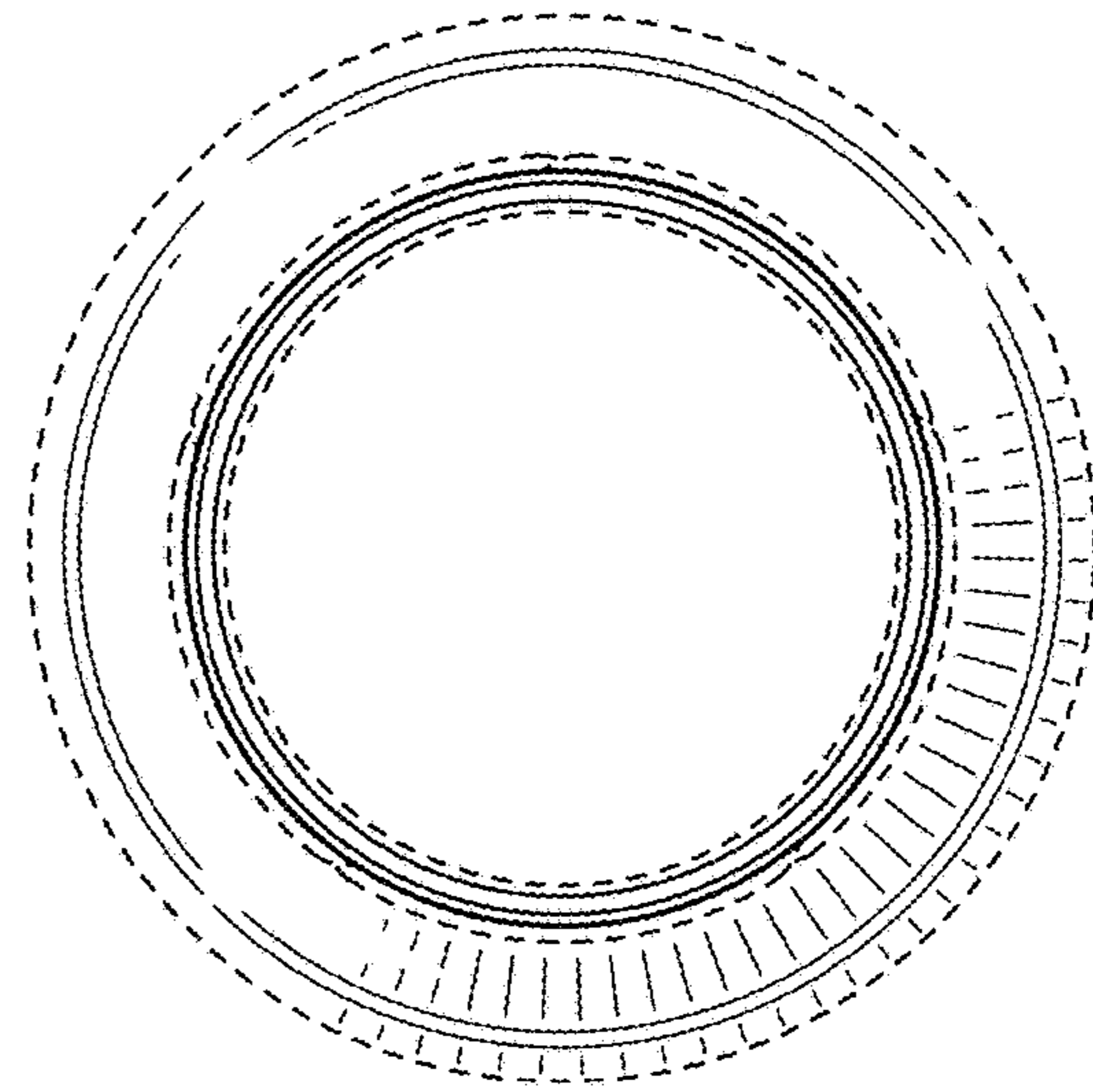
**FIG. 9**



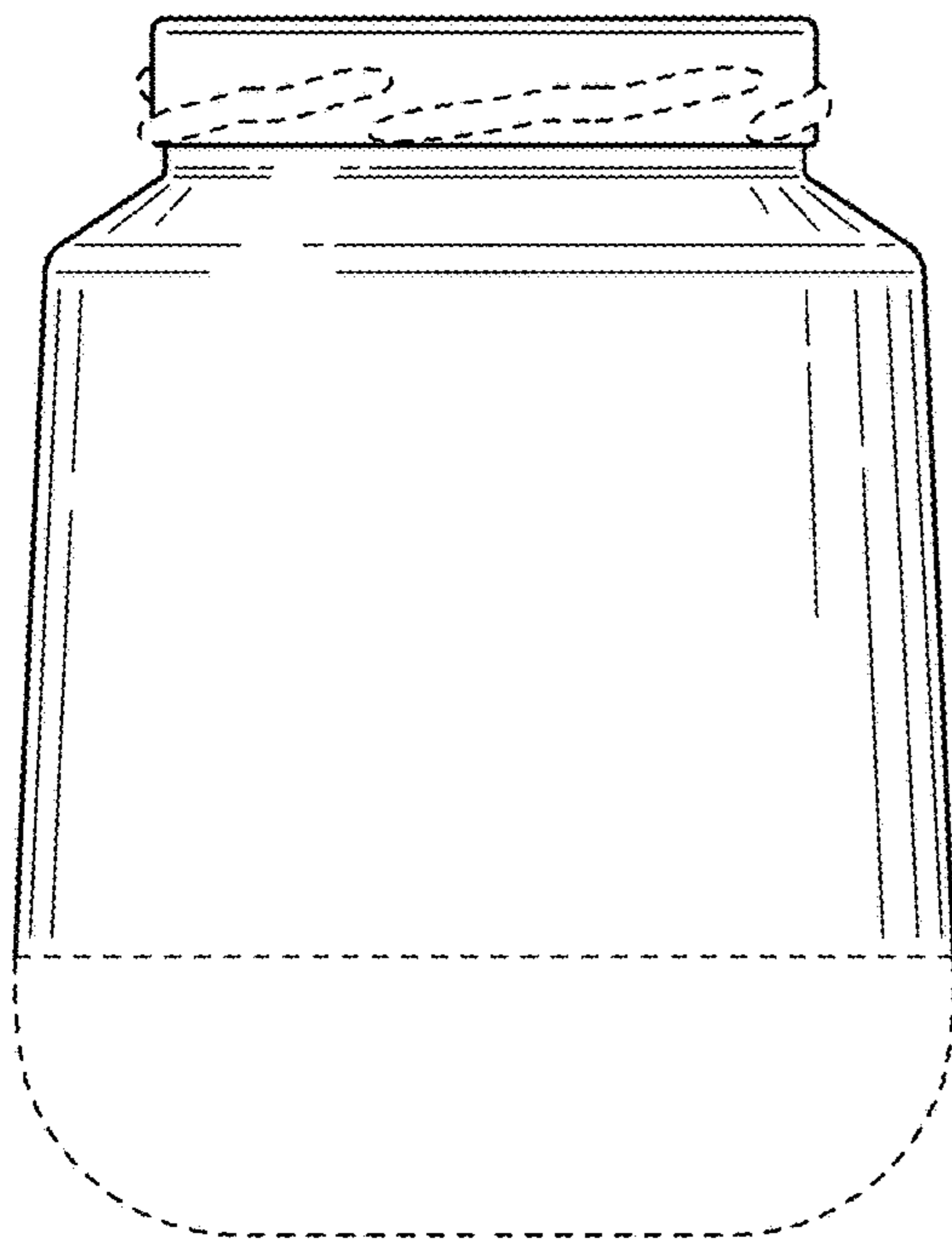
**FIG. 10**



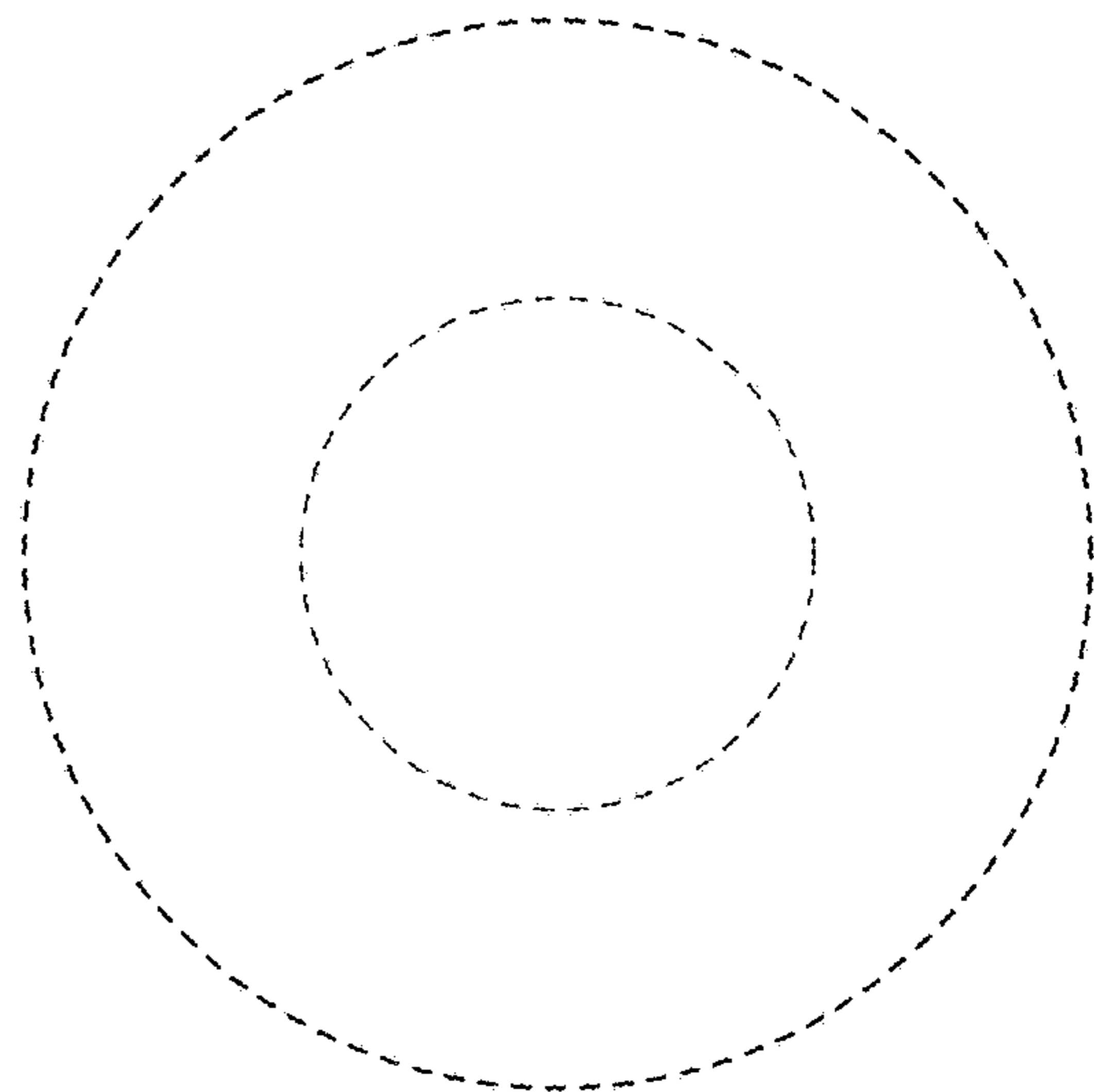
**FIG. 11**



**FIG. 13**



**FIG. 12**



**FIG. 14**