



US00D802421S

(12) **United States Design Patent** (10) **Patent No.:** **US D802,421 S**  
**Gerhards** (45) **Date of Patent:** **\*\* \*Nov. 14, 2017**

(54) **CAP FOR BOTTLES**  
(71) Applicant: **HENKEL AG & CO. KGAA,**  
Düsseldorf (DE)  
(72) Inventor: **Katja Gerhards,** Düsseldorf (DE)  
(73) Assignee: **Henkel AG & Co. KGaA,** Duesseldorf  
(DE)  
(\* ) Notice: This patent is subject to a terminal dis-  
claimer.  
(\*\* ) Term: **15 Years**  
(21) Appl. No.: **35/500,206**  
(22) Filed: **Sep. 25, 2015**  
(80) **Hague Agreement Data**  
Int. Filing Date: **Sep. 25, 2015**  
Int. Reg. No.: **DM/087742**  
Int. Reg. Date: **Sep. 25, 2015**  
Int. Reg. Pub. Date: **Oct. 16, 2015**

(51) **LOC (10) Cl.** ..... **09-03**  
(52) **U.S. Cl.**  
USPC ..... **D9/453**  
(58) **Field of Classification Search**  
USPC ..... D9/453, 436, 445, 449, 435, 451, 452,  
D9/454, 450, 439; D3/203.2; D16/237;  
D27/181; 215/303, 252  
CPC ..... B65D 41/0414; B65D 55/024  
See application file for complete search history.

(56) **References Cited**  
U.S. PATENT DOCUMENTS  
D268,650 S \* 4/1983 Kirstine ..... D9/450  
D444,384 S \* 7/2001 Crawford ..... D9/439  
D475,924 S \* 6/2003 Haffner ..... D9/435  
6,783,014 B2 \* 8/2004 Luker ..... B65D 41/0414  
215/303  
D507,745 S \* 7/2005 Pitman ..... D9/452

D519,029 S \* 4/2006 Hicks ..... D9/449  
7,077,278 B2 \* 7/2006 Dubach ..... B65D 55/024  
215/252  
D534,802 S \* 1/2007 German ..... D9/453  
D537,716 S \* 3/2007 Smith ..... D9/435  
D537,719 S \* 3/2007 Seidita ..... D9/453  
D538,654 S \* 3/2007 Seidita ..... D9/453  
D578,889 S \* 10/2008 Sadiq ..... D9/453  
D583,236 S \* 12/2008 Fuchs ..... D9/453  
D592,057 S \* 5/2009 Guerin ..... D9/449  
D602,354 S \* 10/2009 Dibnah ..... D9/435  
D638,707 S \* 5/2011 Stoffers ..... D9/451  
D670,166 S \* 11/2012 Lavender ..... D9/452  
D673,852 S \* 1/2013 Wood ..... D9/453  
D693,685 S \* 11/2013 Ramsey ..... D9/453  
D702,398 S \* 4/2014 Fakhouri ..... D27/181  
D702,755 S \* 4/2014 Bould ..... D16/237  
D714,146 S \* 9/2014 King ..... D9/453  
D714,147 S \* 9/2014 Lindstrom, Sr. .... D9/453  
D739,741 S \* 9/2015 Staab ..... D9/454  
D756,221 S \* 5/2016 Koop ..... D9/453  
D756,628 S \* 5/2016 Lande ..... D3/203.2  
D757,545 S \* 5/2016 King ..... D9/453  
D760,077 S \* 6/2016 Rye ..... D9/436  
D762,118 S \* 7/2016 Velmer ..... D9/445

\* cited by examiner

*Primary Examiner* — Rhea Shields  
(74) *Attorney, Agent, or Firm* — Thomas G. Krivulka

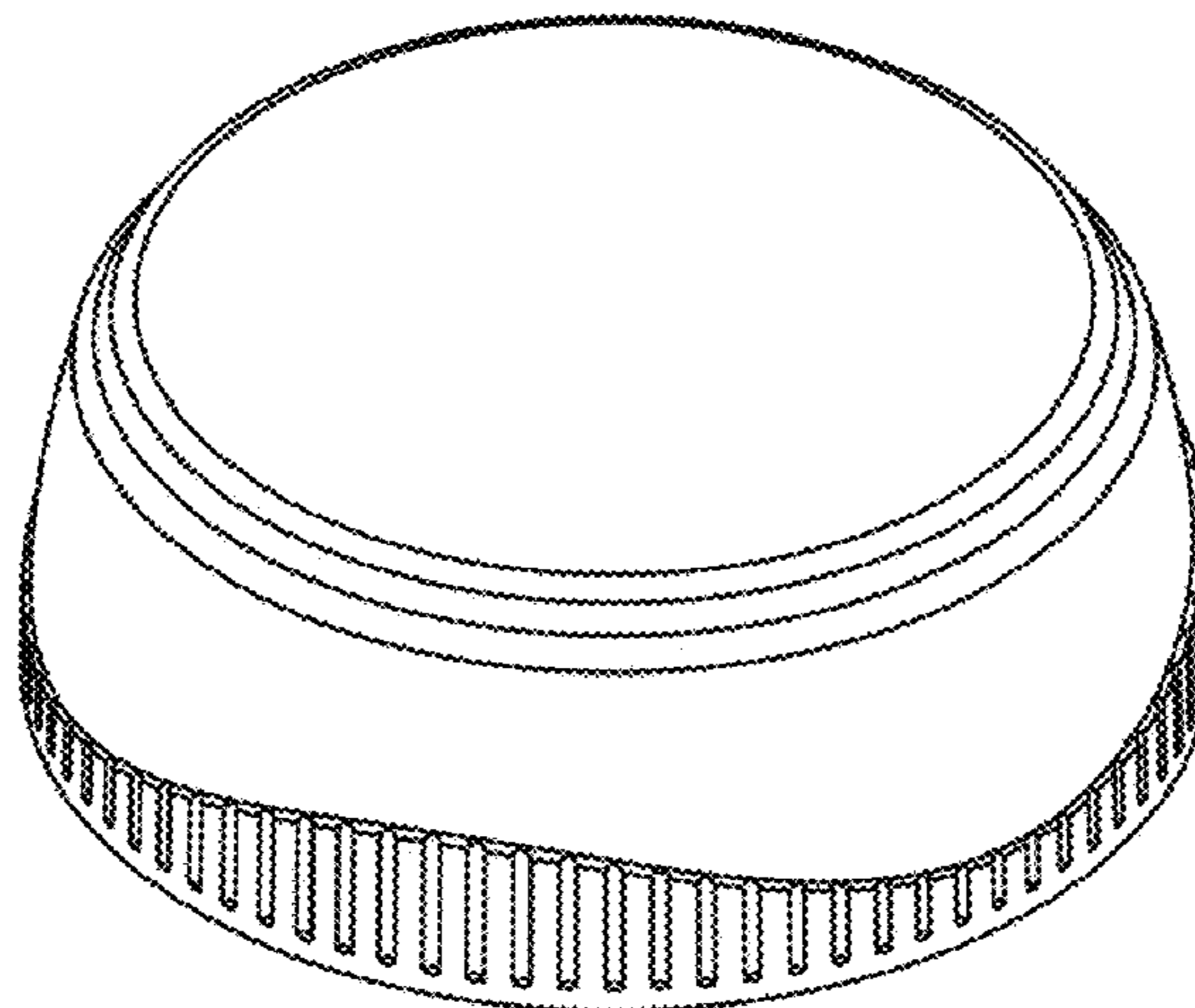
(57) **CLAIM**

The ornamental design for a cap for bottles, as shown and described.

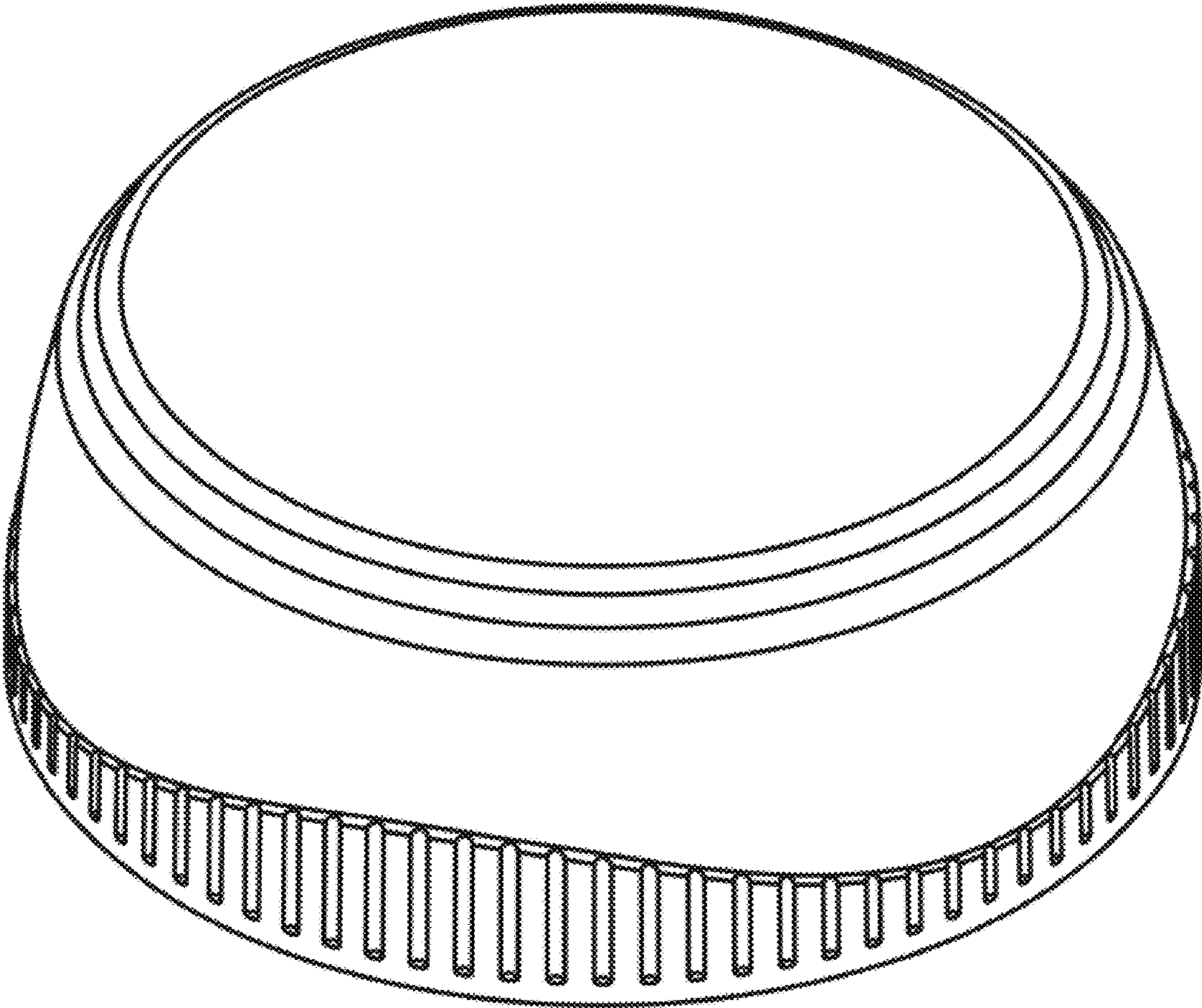
**DESCRIPTION**

- 1. Cap for bottles
- 1.1 is a perspective view;
- 1.2 is a side view;
- 1.3 is a side view;
- 1.4 is a side view;
- 1.5 is a side view; and
- 1.6 is top view.

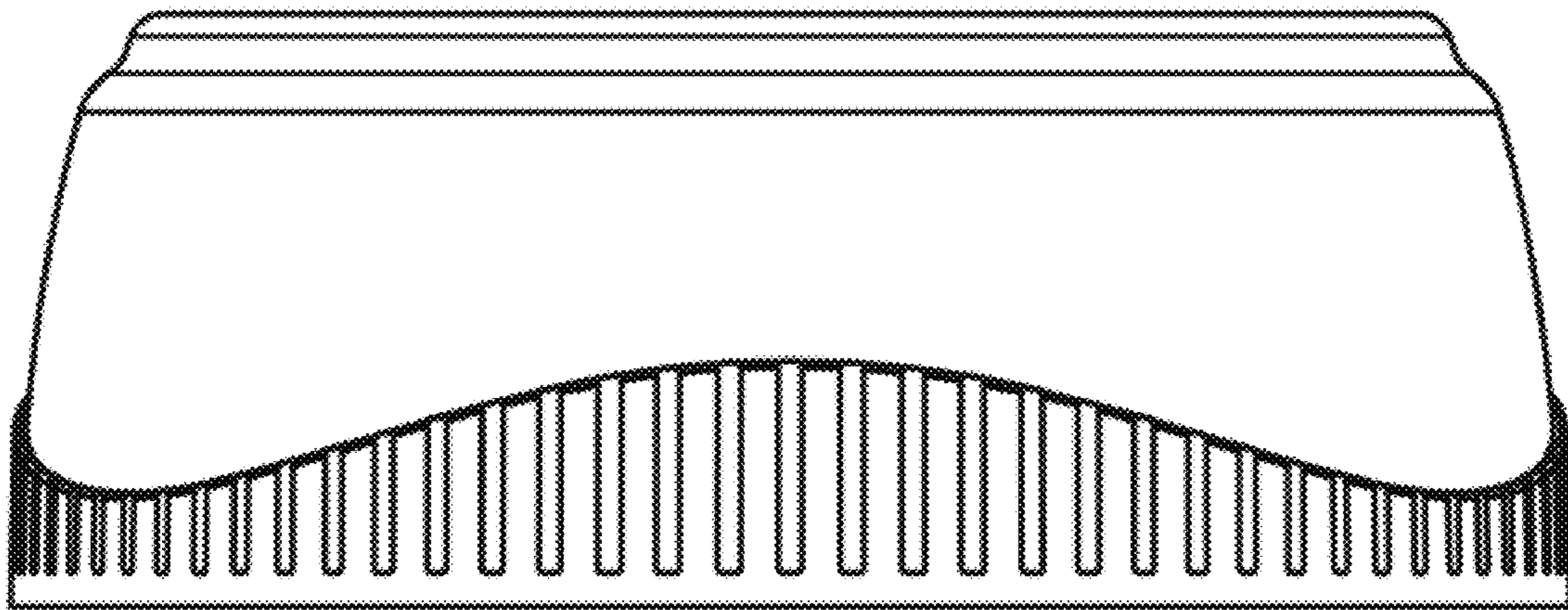
**1 Claim, 6 Drawing Sheets**



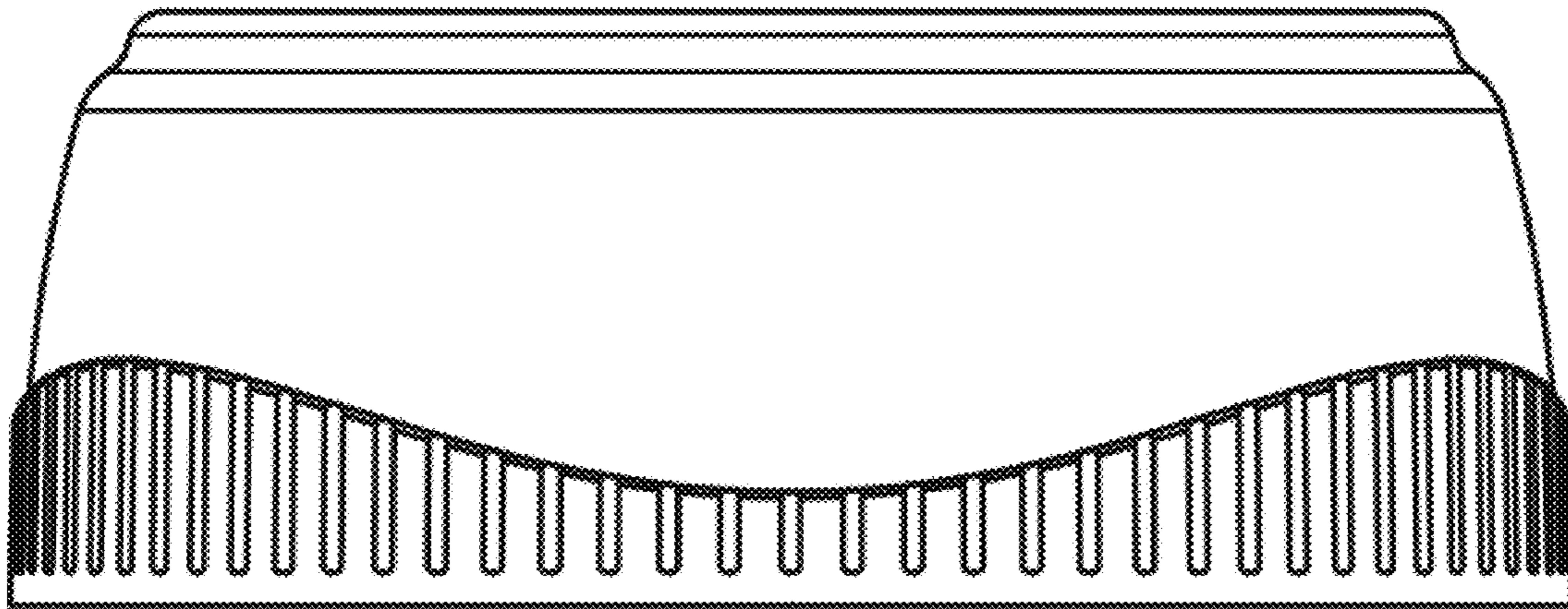
1.1



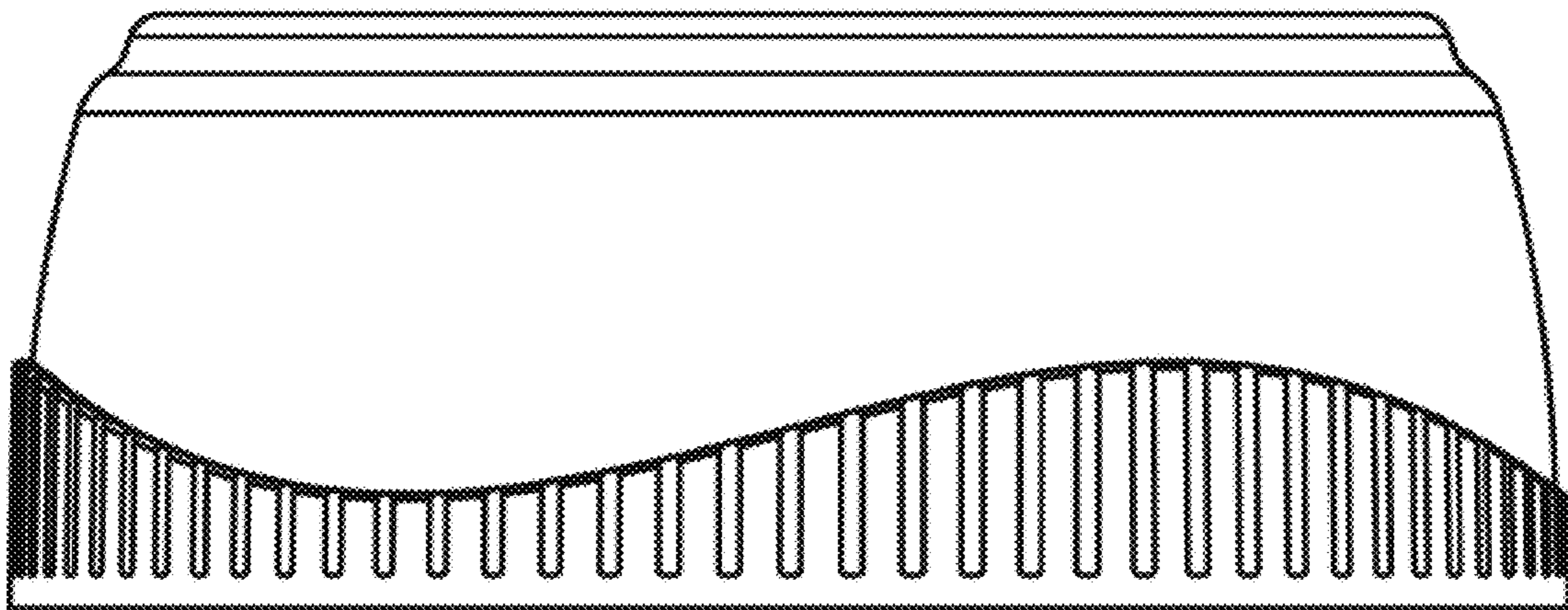
1.2



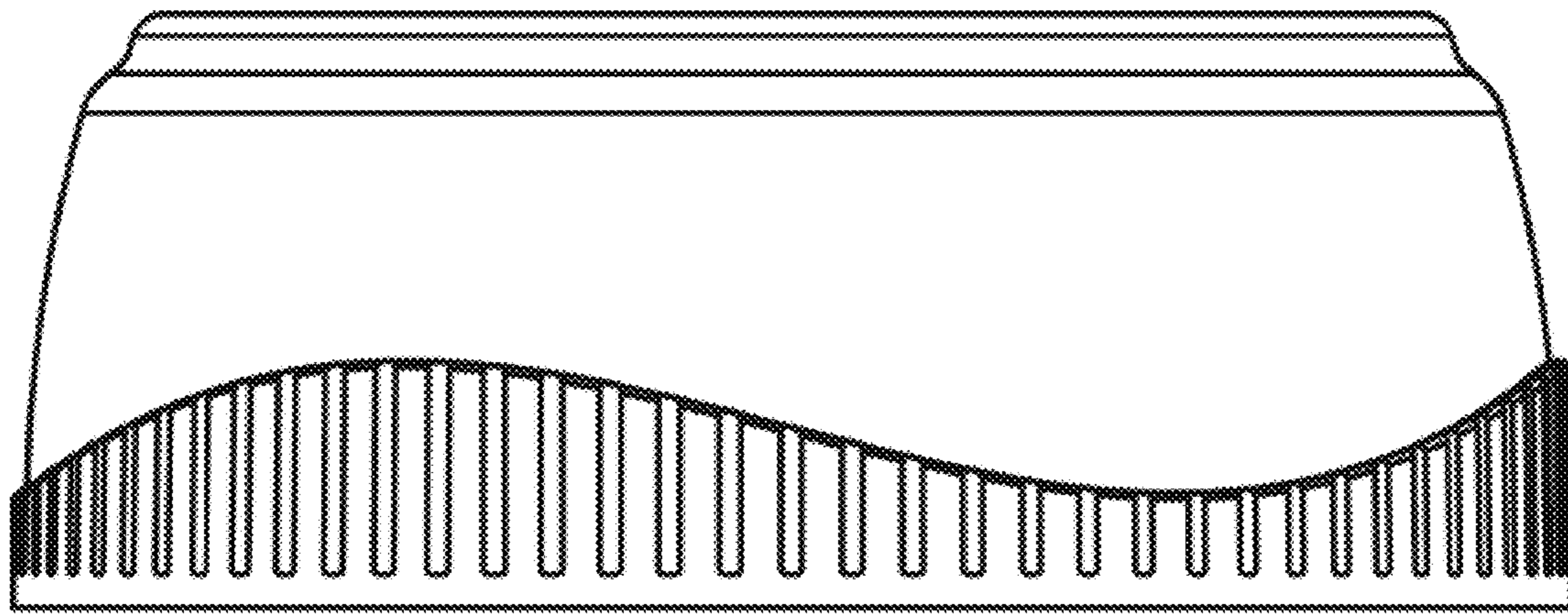
1.3



1.4



1.5



1.6

