



US00D802420S

(12) **United States Design Patent**
Luu et al.

(10) **Patent No.:** **US D802,420 S**
(45) **Date of Patent:** **** Nov. 14, 2017**

- (54) **BOTTLE CAP**
- (71) Applicant: **LeChat**, Hercules, CA (US)
- (72) Inventors: **Newton Luu**, Hercules, CA (US);
Christina Kleppe, Antioch, CA (US)
- (73) Assignee: **LeChat**, Hercules, CA (US)
- (**) Term: **15 Years**
- (21) Appl. No.: **29/583,013**
- (22) Filed: **Nov. 1, 2016**

D117,843 S	11/1939	Smith	
D166,116 S	3/1952	Menefee, Jr.	
2,832,981 A	5/1956	Ernst	
3,337,901 A	8/1967	Schefer	
D208,885 S	10/1967	Roehrich	
D216,250 S	12/1969	Kneapler	
D252,445 S	7/1979	Rhodes	
4,189,245 A	2/1980	Bennett	
4,280,638 A	7/1981	Keihm	
D316,034 S	4/1991	DeGaetano	
D329,592 S	9/1992	Crawford	
D330,859 S	11/1992	Schaeffer	
D344,804 S	3/1994	Muniz	
D379,764 S	6/1997	Litton	
D383,980 S	9/1997	Abfier et al.	
D469,356 S	1/2003	Vo	
6,966,716 B2 *	11/2005	Pink	A45D 34/045 401/126
7,311,457 B2	12/2007	Pink	
D561,027 S	2/2008	Nguyen	
D604,167 S	11/2009	Tran et al.	
D695,121 S	12/2013	Seo	
D701,124 S	3/2014	O'hara	
D721,966 S	2/2015	Mathiez	

Related U.S. Application Data

- (62) Division of application No. 29/494,524, filed on Jun. 20, 2014, now Pat. No. Des. 770,285.
- (51) **LOC (10) Cl.** **09-07**
- (52) **U.S. Cl.**
USPC **D9/452**

- (58) **Field of Classification Search**
USPC D9/434-435, 447, 452, 454, 500,
D9/502-504, 516, 529, 530, 537-539,
D9/548-549, 557-558, 682, 686,
D9/688-692, 723; D4/116; D28/7,
D28/76-77, 88
CPC B65D 1/0002; B65D 1/0223; B65D 23/00;
B65D 81/00; B65D 83/00; B65D
2501/00; B65D 2501/0009; A45D 34/00;
A45D 34/42; A45D 34/45; A45D 34/46;
A45D 34/48; A45D 34/06; A45D
2034/007; A45D 40/0068; A45D 40/0075;
A45D 40/26; A45D 40/262; A45D
40/264; A45D 40/265

See application file for complete search history.

- (56) **References Cited**
U.S. PATENT DOCUMENTS

D111,313 S 9/1938 Titze
D116,813 S 9/1939 Bost

Primary Examiner — Dana L Meyrow
(74) *Attorney, Agent, or Firm* — Aka Chan LLP

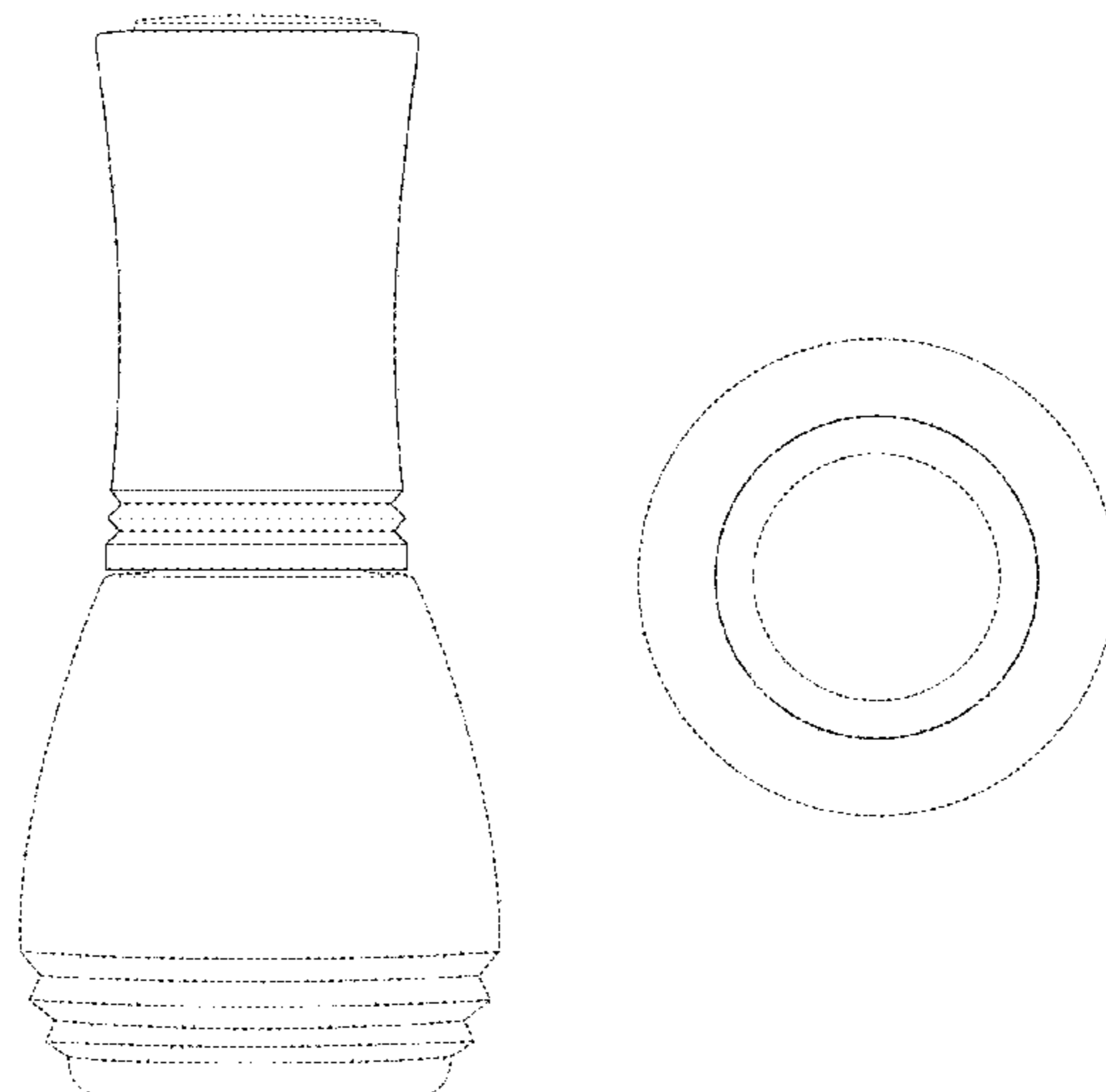
(57) **CLAIM**

The ornamental design for a bottle cap, as shown and described.

DESCRIPTION

FIG. 1 shows a perspective view of a design for a bottle cap. FIG. 2 shows a side view of FIG. 1; and, FIG. 3 shows a top view of FIG. 1. The broken lines in the drawings illustrate the portions of the bottle that form no part of the claim.

1 Claim, 3 Drawing Sheets



(56)

References Cited

U.S. PATENT DOCUMENTS

D758,737	S	*	6/2016	Tan	D4/116
D770,284	S	*	11/2016	Luu	D9/452
D770,285	S	*	11/2016	Luu	D9/454
D770,295	S	*	11/2016	Luu	D9/452
D770,901	S	*	11/2016	Luu	D9/452
2002/0039513	A1		4/2002	Pink		
2006/0213863	A1		9/2006	Tran et al.		

* cited by examiner

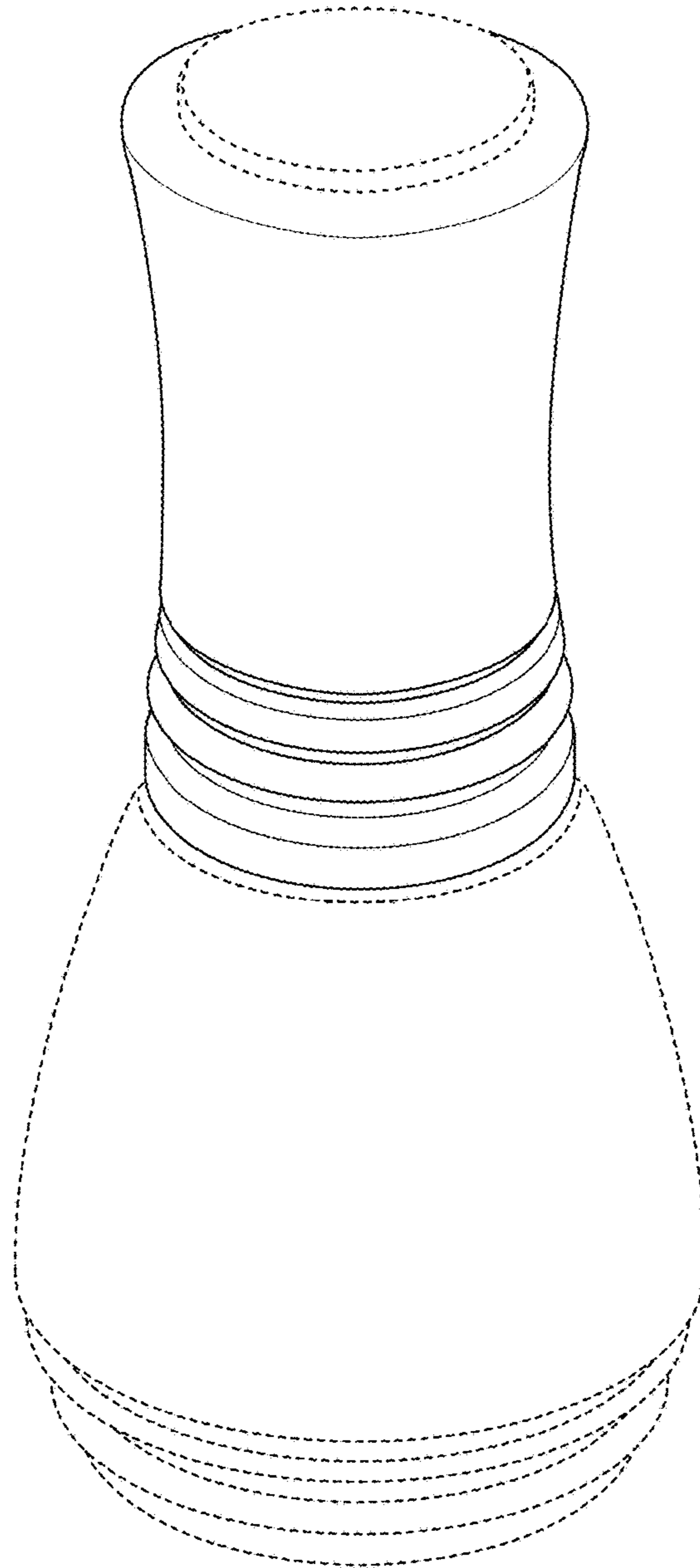


FIG. 1

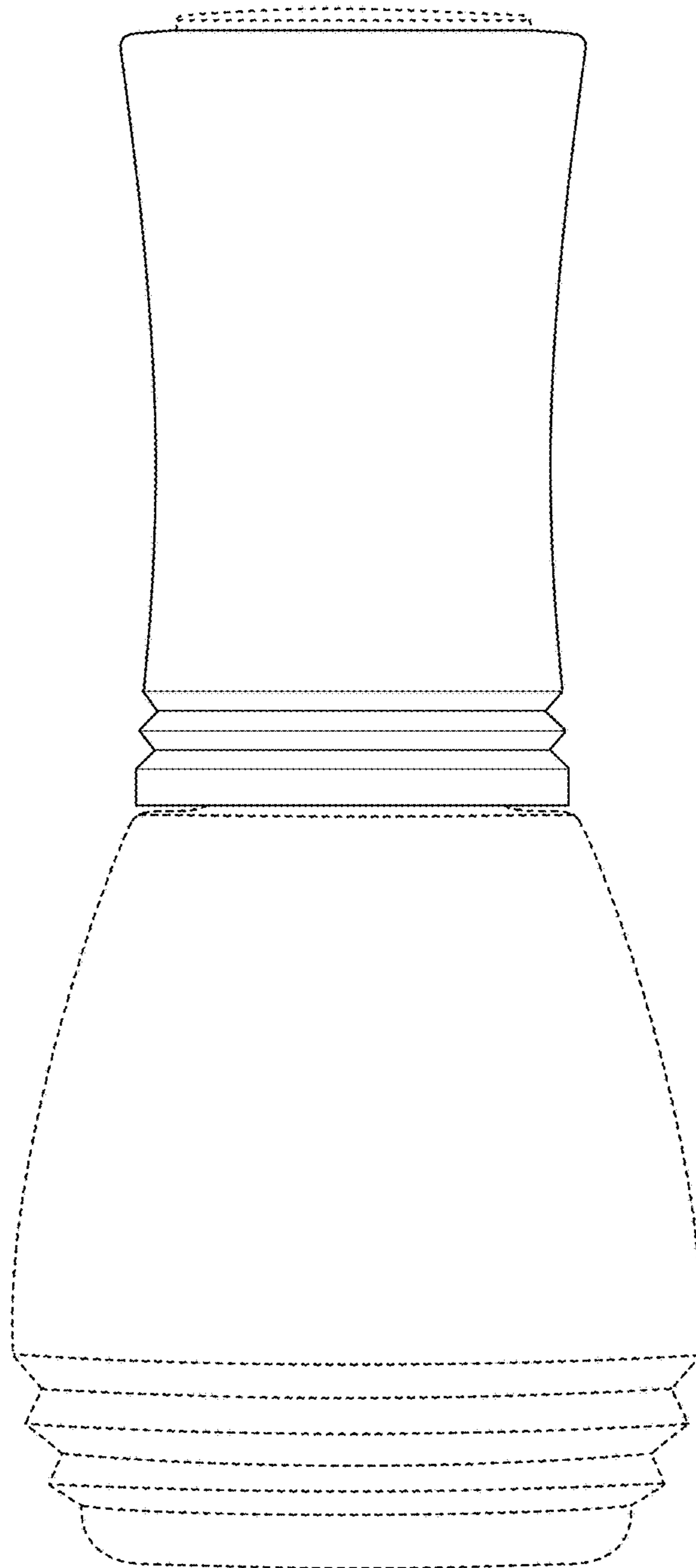


FIG. 2

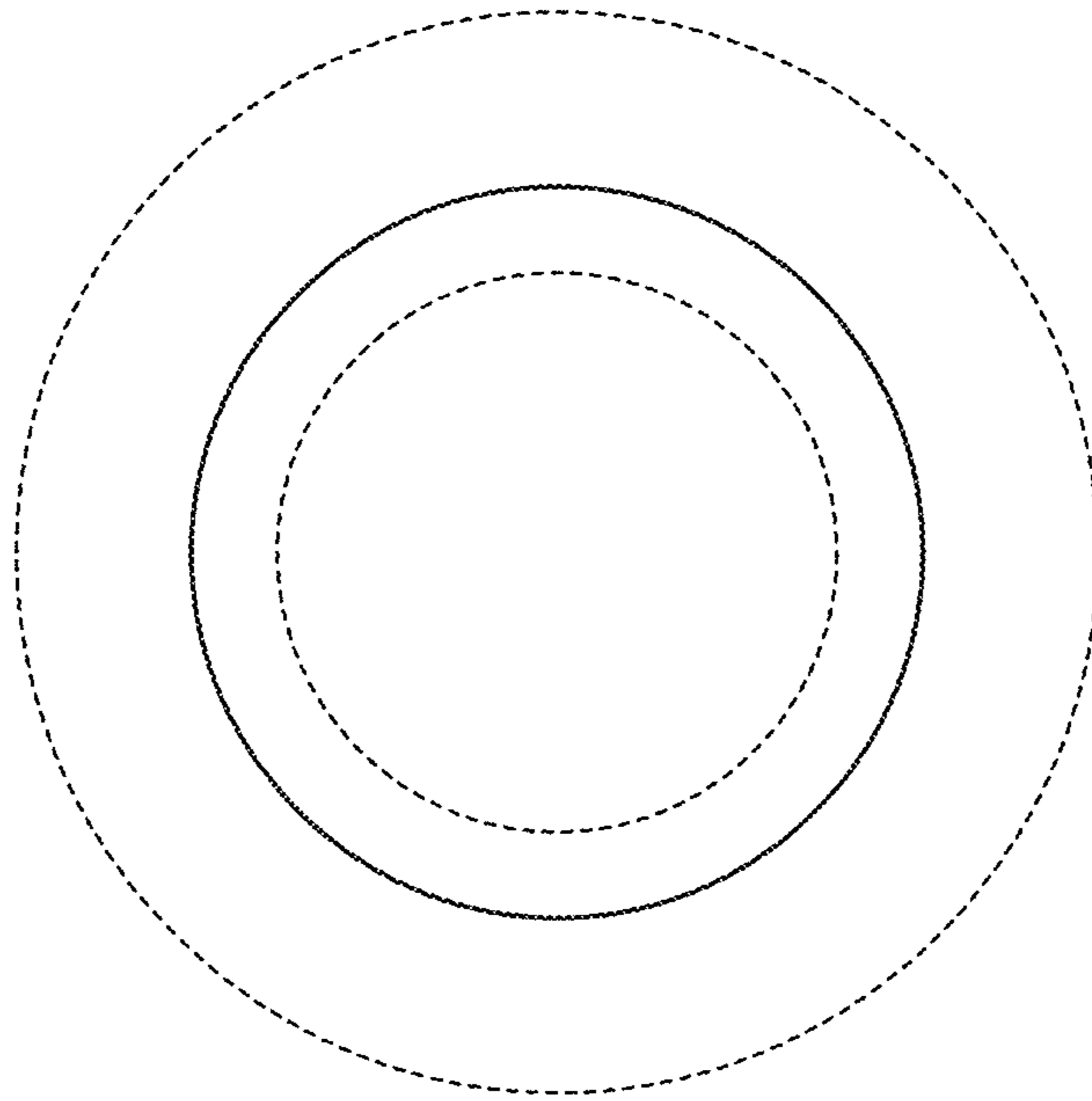


FIG. 3