



US00D802418S

(12) **United States Design Patent** (10) **Patent No.:** **US D802,418 S**
Ryan (45) **Date of Patent:** **** Nov. 14, 2017**

(54) **JAR TOPPER**

(71) Applicant: **Columbian Home Products, LLC**,
North Barrington, IL (US)

(72) Inventor: **Delvin Ryan**, Barrington Hills, IL (US)

(73) Assignee: **Columbian Home Products, LLC**,
North Barrington, IL (US)

(**) Term: **14 Years**

(21) Appl. No.: **29/470,512**

(22) Filed: **Oct. 22, 2013**

(51) **LOC (10) Cl.** **09-07**

(52) **U.S. Cl.**
USPC **D9/443**

(58) **Field of Classification Search**
USPC D3/318; D7/387, 396.2; D9/434-436,
D9/443, 449, 452, 454, 499; 215/200,
215/228, 250, 252, 316, 324, 333, 353;
220/288, 359.3
CPC B65D 2203/00; B65D 41/04; B65D 41/00;
B65D 51/245
See application file for complete search history.

(56) **References Cited**

U.S. PATENT DOCUMENTS

D299,904 S *	2/1989	Smith	D7/393
D485,179 S *	1/2004	Kouri	D9/435
D494,811 S *	8/2004	Rossi	D7/400
D500,228 S *	12/2004	Rossi	D7/400
D632,959 S *	2/2011	Peters	D9/454
D681,459 S *	5/2013	Ramsey	D9/452
D682,104 S *	5/2013	Ramsey	D9/454

D710,699 S *	8/2014	Phelps	D9/452
2008/0067173 A1 *	3/2008	Booty	220/270
2013/0200035 A1 *	8/2013	Wilson	215/316

OTHER PUBLICATIONS

Haute Apple Pie. Katie Kregel. Sep. 13, 2010 [online], [site visited Dec. 17, 2014]. Available from Internet, <URL:http://hauteapplepie.com/2010/09/13/preserving-canning-101/>.*

Etsy. Jam Jar Covers with Tags & Labels. Dec. 7, 2014 [online], [site visited Dec. 9, 2014]. Available from Internet, <URL:https://www.etsy.com/listing/153529903/jam-jar-covers-with-tags-labels?ref=market>.*

Deposit Photos. Jar With Preserves. Jun. 18, 2010 [online], [site visited Dec. 17, 2014]. Available from Internet, <URL:http://depositphotos.com/3306583/stock-photo-jar-with-preserves.html>.*

* cited by examiner

Primary Examiner — Robert M Spear

Assistant Examiner — Darcey E Heflin

(74) *Attorney, Agent, or Firm* — Seyfarth Shaw LLP

(57) **CLAIM**

The ornamental design for a jar topper, as shown and described.

DESCRIPTION

FIG. 1 is a bottom perspective view of a jar topper;

FIG. 2 is a front view thereof;

FIG. 3 is a rear view thereof;

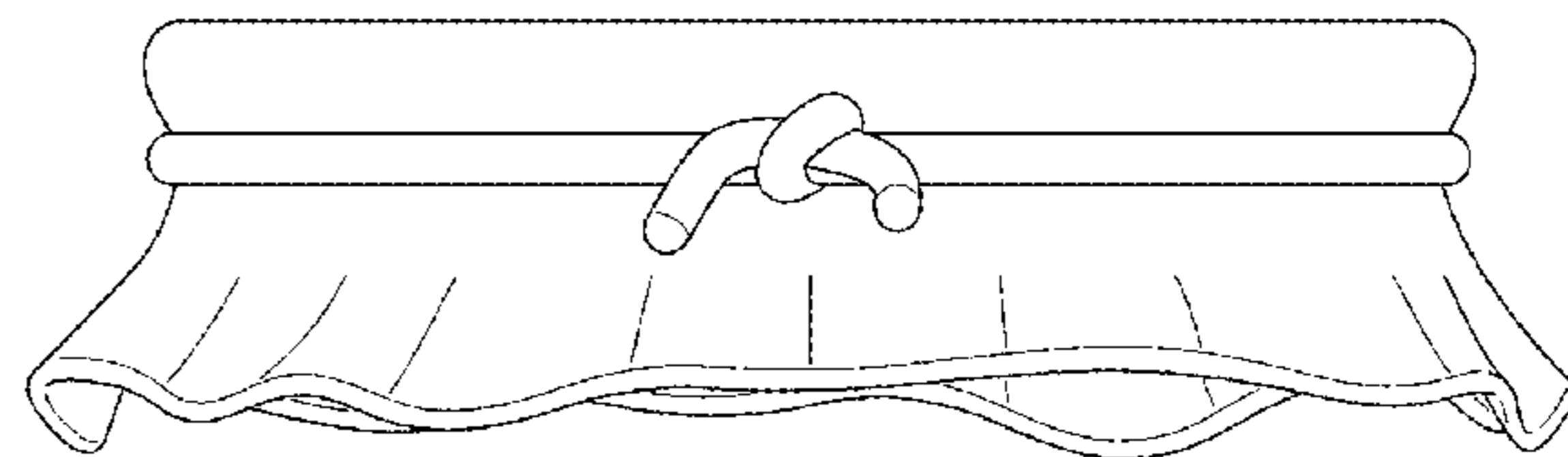
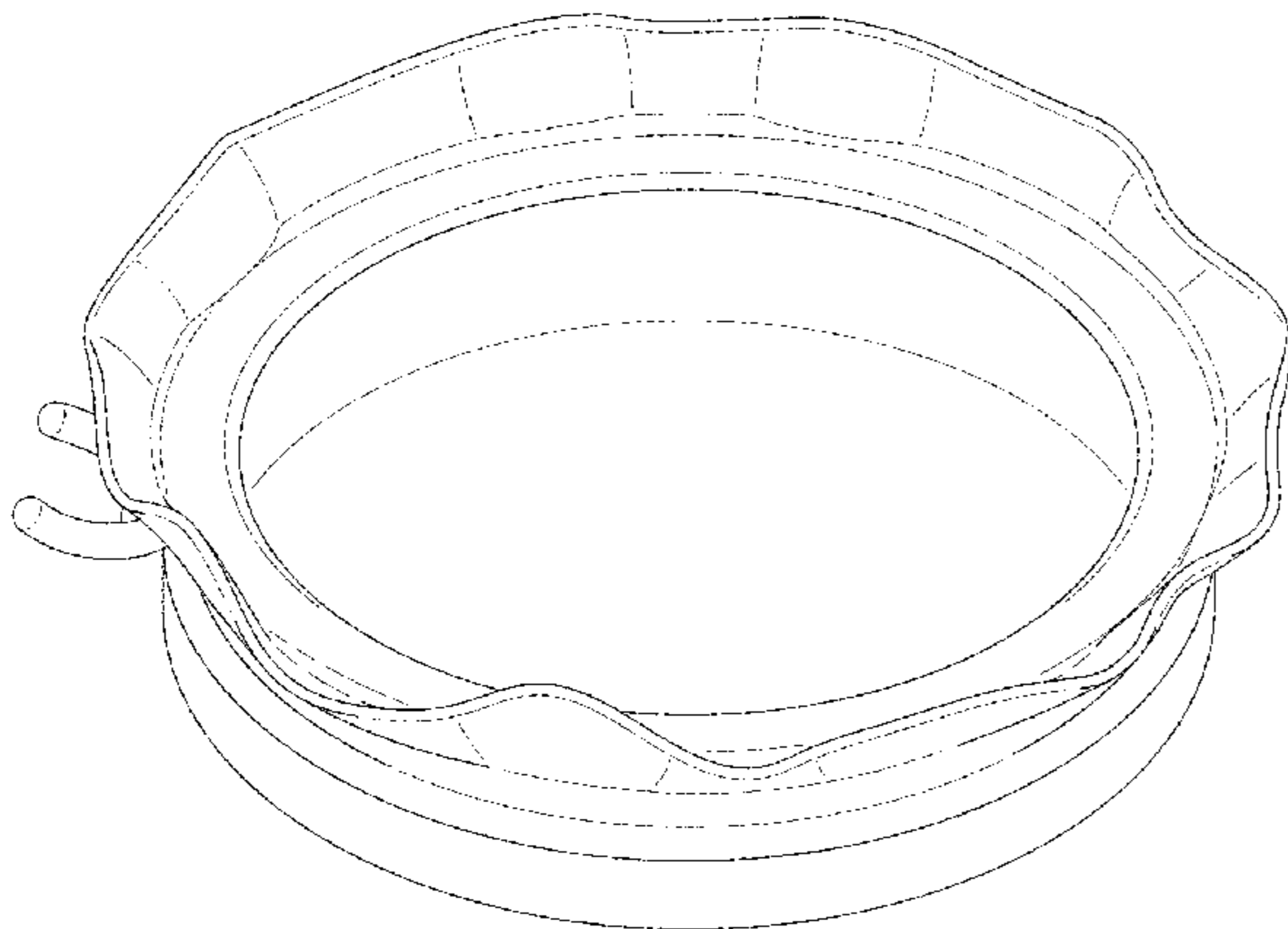
FIG. 4 is a right-side view thereof;

FIG. 5 is a left-side view thereof;

FIG. 6 is a top view thereof; and,

FIG. 7 is a bottom view thereof.

1 Claim, 7 Drawing Sheets



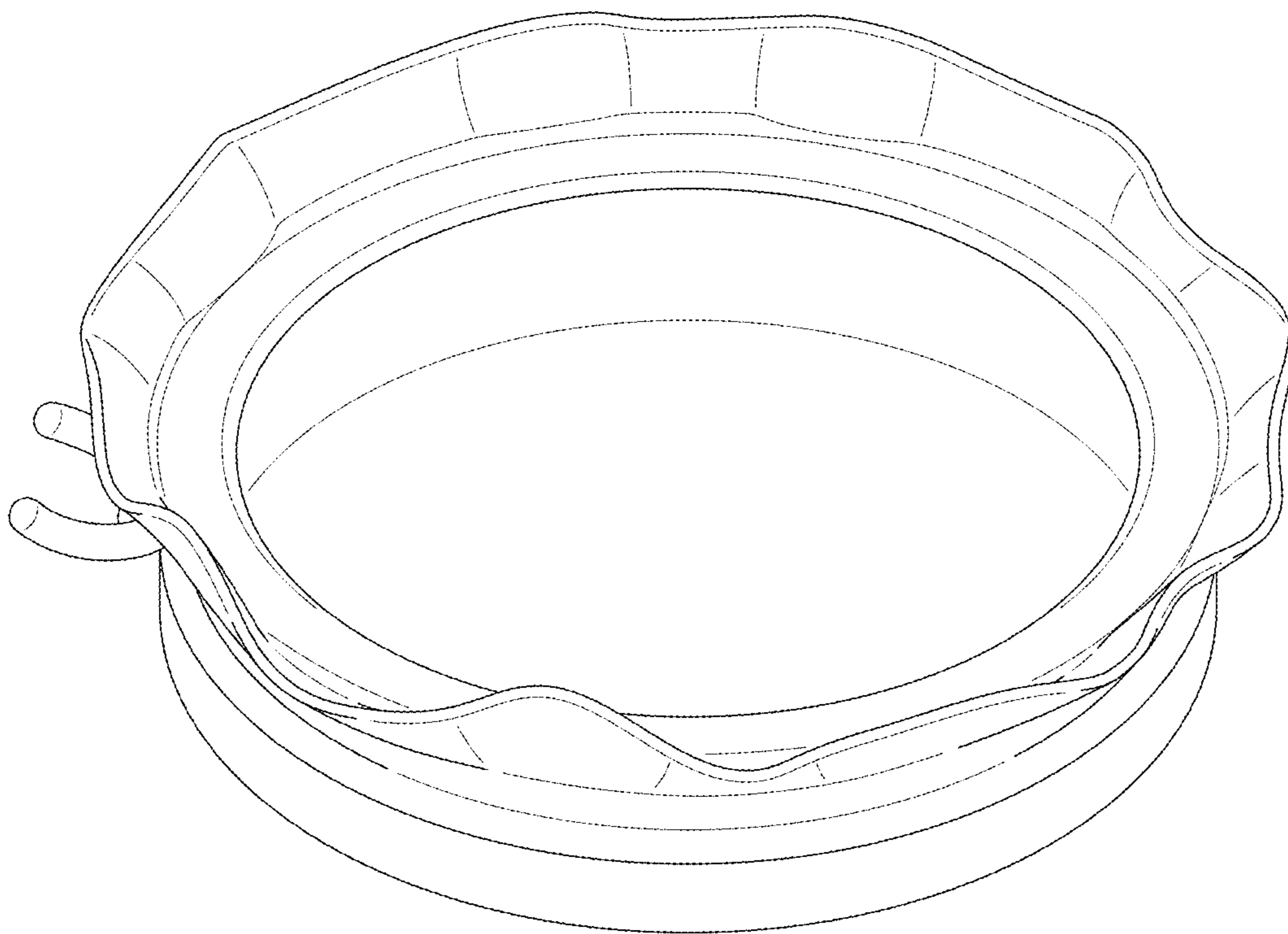


FIG. 1

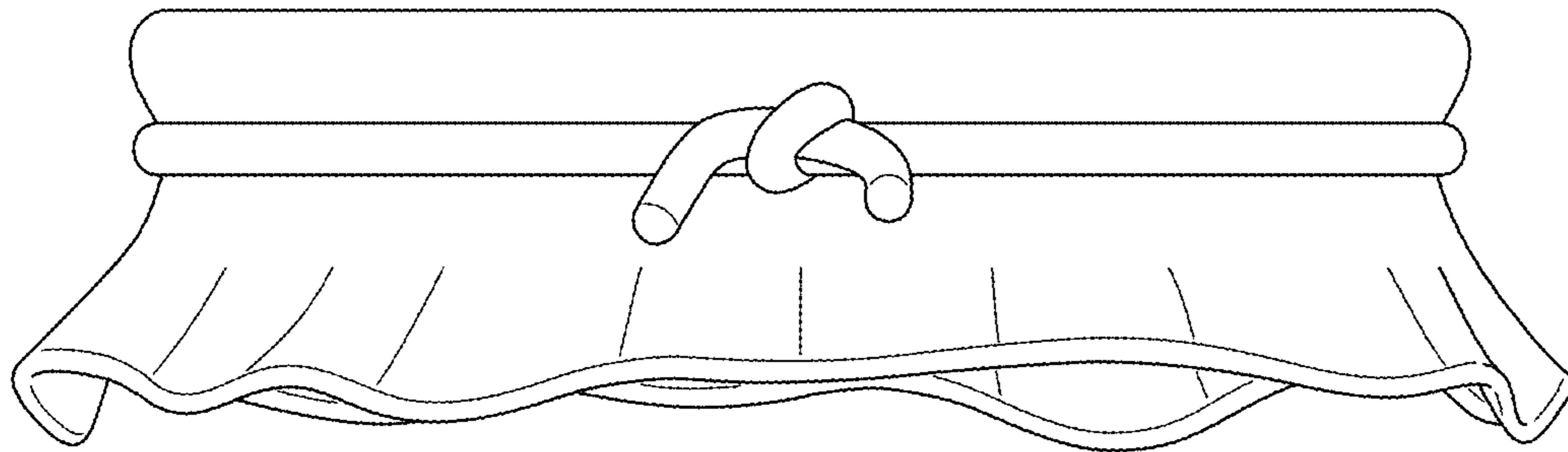


FIG. 2

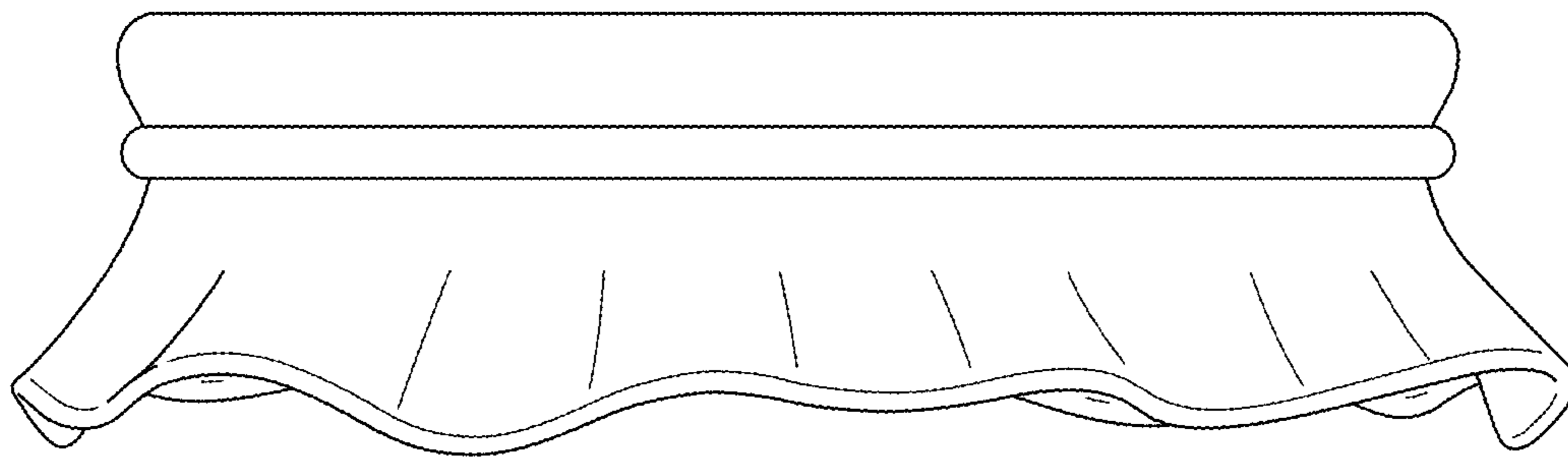


FIG. 3

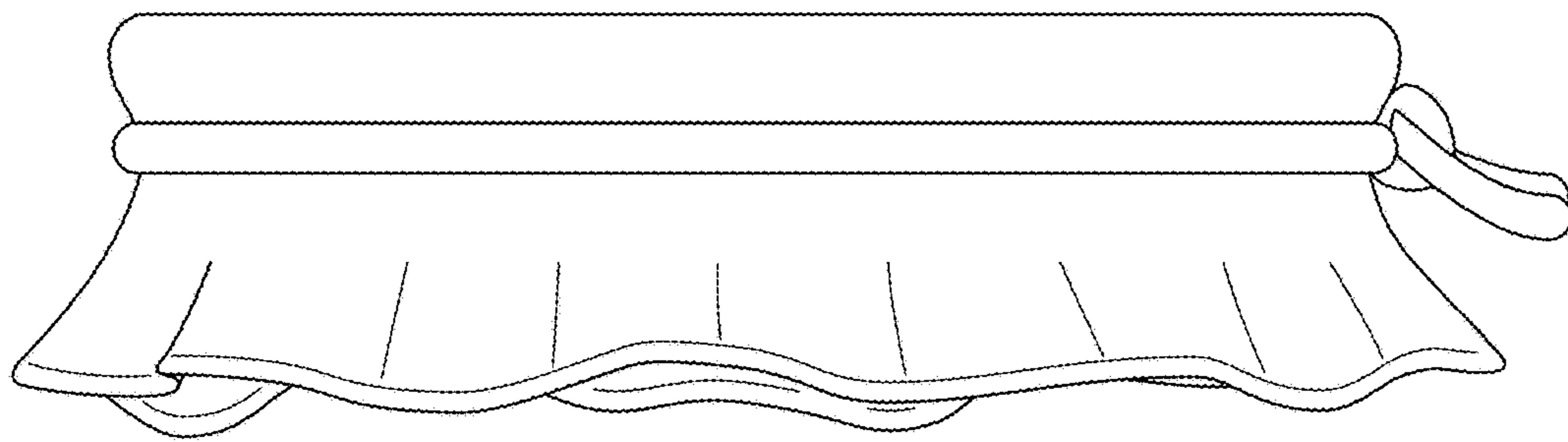


FIG. 4

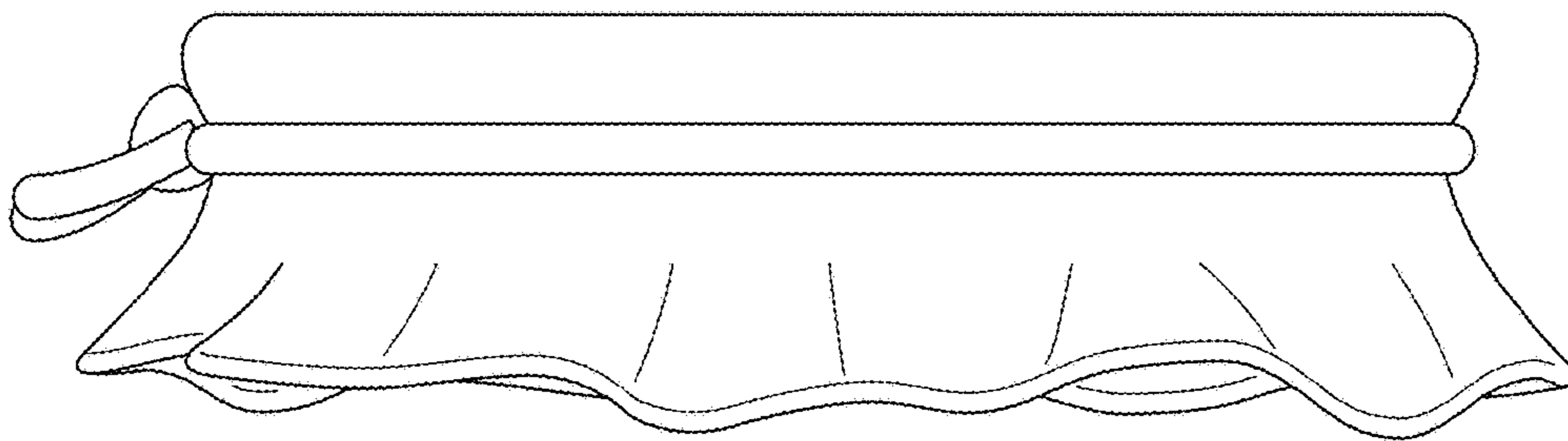


FIG. 5

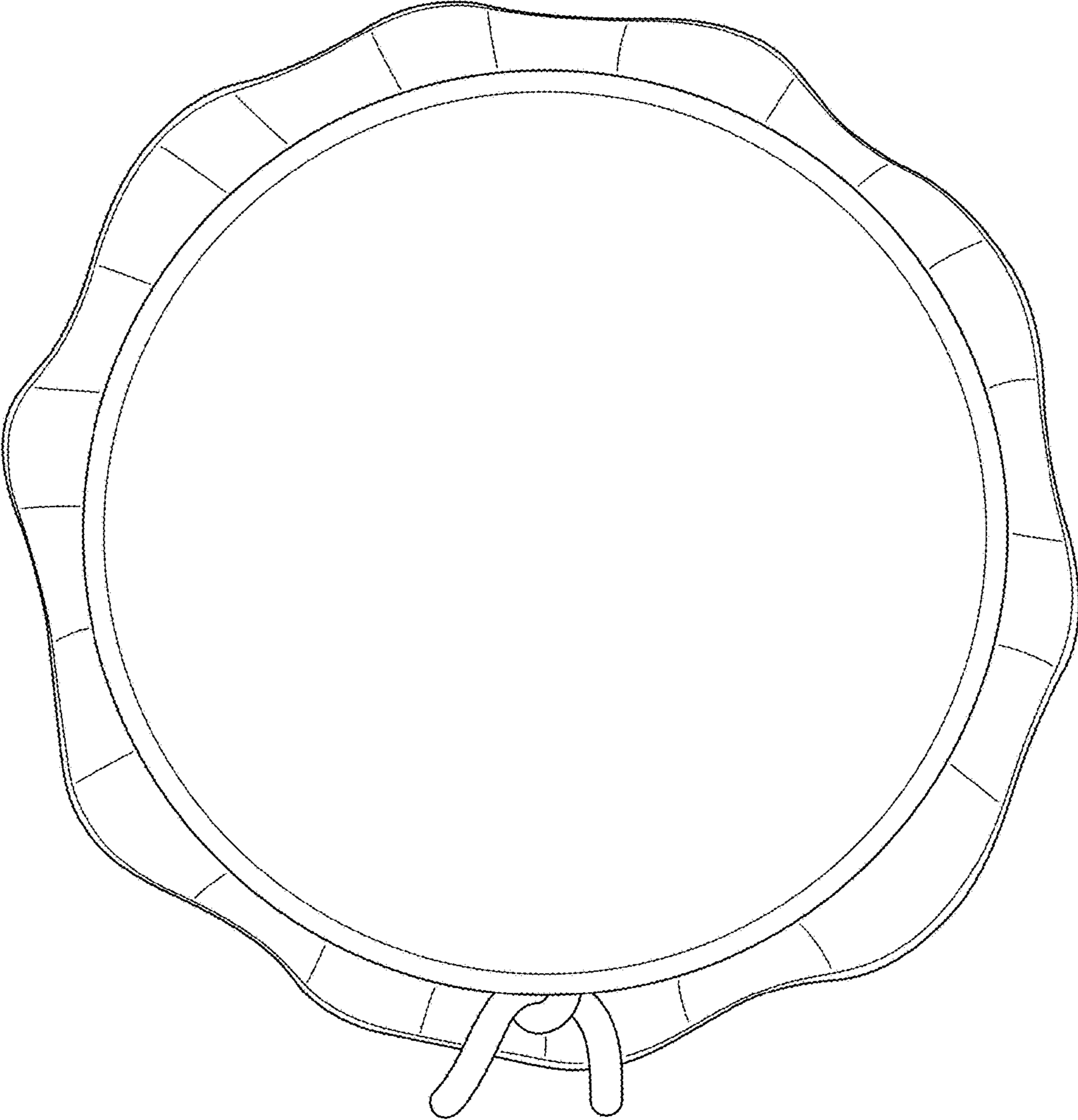


FIG. 6

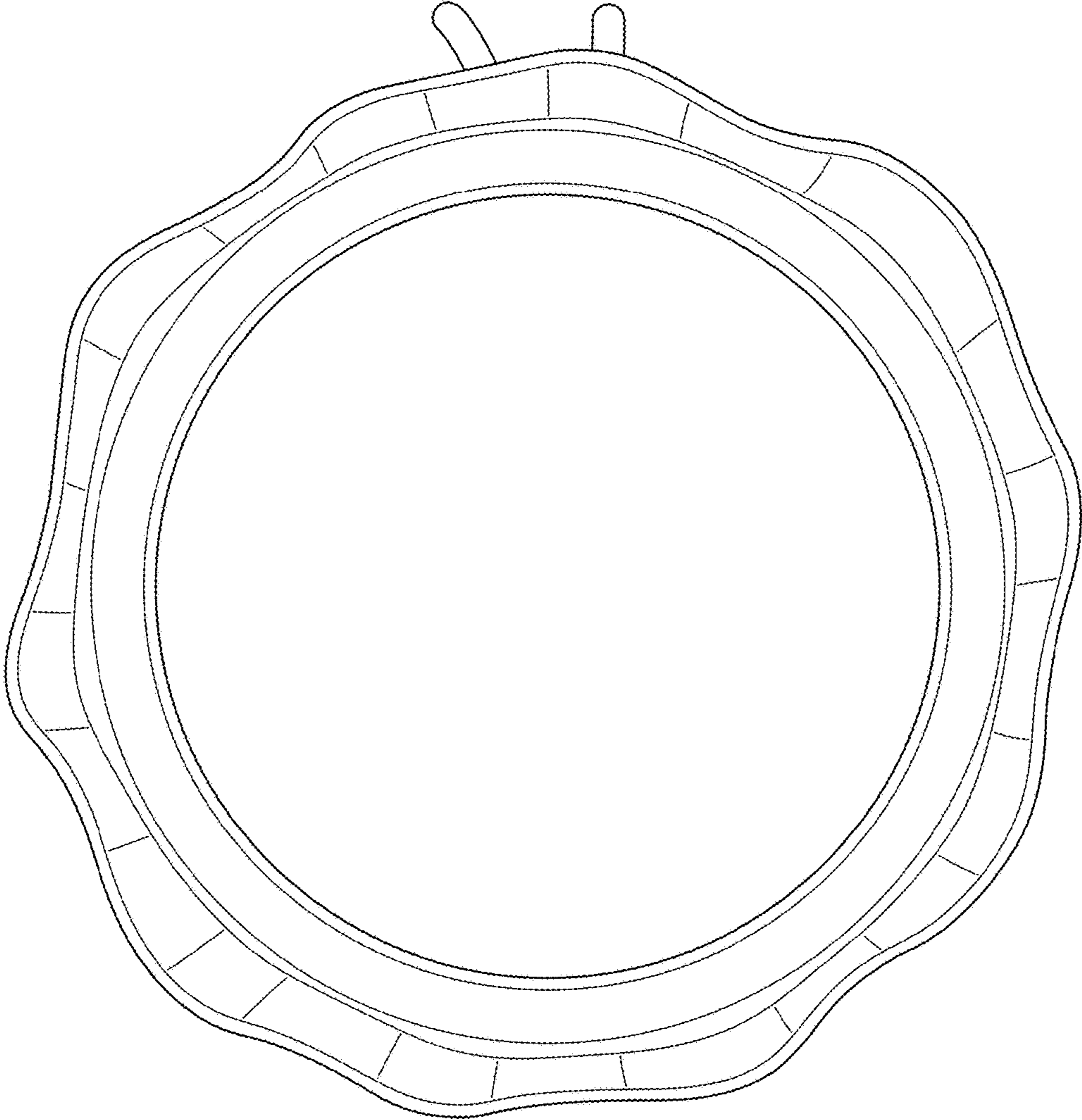


FIG. 7