



US00D802417S

(12) **United States Design Patent** (10) **Patent No.:** **US D802,417 S**  
**Köberl** (45) **Date of Patent:** **\*\* Nov. 14, 2017**

(54) **LID**  
(71) Applicant: **Constantia Flexibles International GmbH**, Vienna (AT)  
(72) Inventor: **Ewald Köberl**, Kilb (AT)  
(73) Assignee: **Constantia Flexibles International GmbH**, Vienna (AT)  
(\*\*) Term: **15 Years**  
(21) Appl. No.: **29/566,801**  
(22) Filed: **Jun. 2, 2016**

(30) **Foreign Application Priority Data**

Dec. 3, 2015	(EM)	002888156-0001
Dec. 3, 2015	(EM)	002888156-0002
Dec. 3, 2015	(EM)	002888156-0003
Dec. 3, 2015	(EM)	002888156-0004
Dec. 3, 2015	(EM)	002888156-0005
Dec. 3, 2015	(EM)	002888156-0006
Dec. 3, 2015	(EM)	002888156-0007
Dec. 3, 2015	(EM)	002888156-0008
Dec. 3, 2015	(EM)	002888156-0009
Dec. 3, 2015	(EM)	002888156-0010
Dec. 3, 2015	(EM)	002888156-0011
Dec. 3, 2015	(EM)	002888156-0012
Dec. 3, 2015	(EM)	002888156-0013
Dec. 3, 2015	(EM)	002888156-0014
Dec. 3, 2015	(EM)	002888156-0015
Dec. 3, 2015	(EM)	002888156-0016
Dec. 3, 2015	(EM)	002888156-0017
Dec. 3, 2015	(EM)	002888156-0018
Dec. 3, 2015	(EM)	002888156-0019
Dec. 3, 2015	(EM)	002888156-0020

(Continued)

(51) **LOC (10) Cl.** ..... **09-07**  
(52) **U.S. Cl.**  
USPC ..... **D9/438; D9/443; D9/454**

(58) **Field of Classification Search**  
USPC ..... D3/294, 295; D7/213, 387, 392, 392.1, D7/396.1, 396.3, 541, 546, 549, 554.2,  
(Continued)

(56) **References Cited**  
U.S. PATENT DOCUMENTS  
D26,278 S \* 11/1896 Johnston ..... D9/443  
D60,440 S \* 2/1922 Boucher, Jr. .... D10/23  
(Continued)

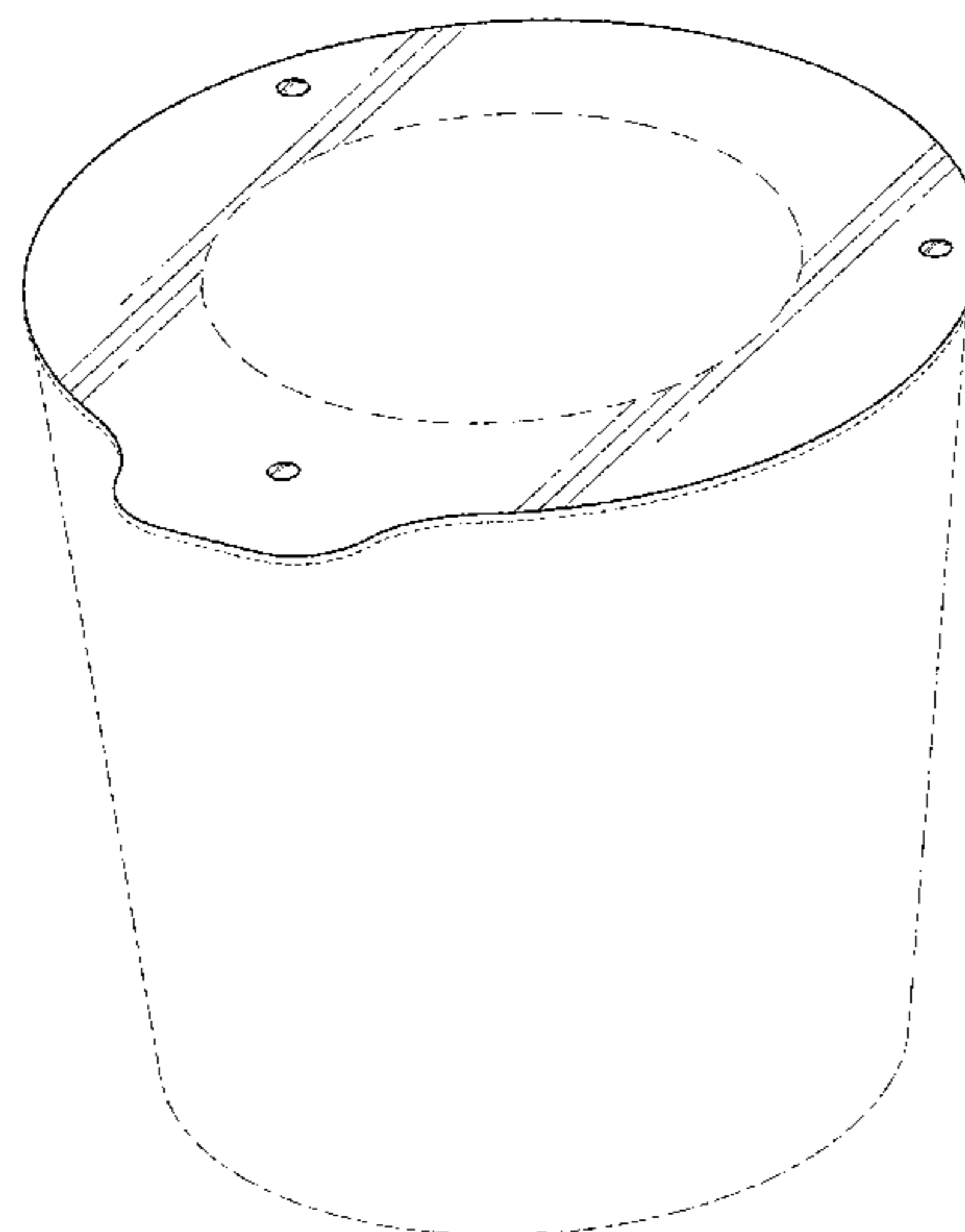
**OTHER PUBLICATIONS**  
Topsy.one. Oikos. Mar. 28, 2017 [earliest online date], [site visited Apr. 7, 2017]. Available from Internet, <URL:https://topsy.one/hashtag.php?q=Oikos>.\*  
(Continued)

*Primary Examiner* — Robert M Spear  
*Assistant Examiner* — Darcey E Heflin  
(74) *Attorney, Agent, or Firm* — Dascenzo Intellectual Property Law, P.C.

(57) **CLAIM**  
The ornamental design for a lid, as shown and described.

**DESCRIPTION**  
FIG. 1 is a top perspective view of a lid showing the new design.  
FIG. 2 is a top view thereof.  
FIG. 3 is a side view thereof; and,  
FIG. 4 is another side view thereof.  
In the drawings, the evenly-spaced broken lines depict portions of a lid and form no part of the claim; the dash-dot-dash lines showing a food container depict environment and form no part thereof.

**1 Claim, 2 Drawing Sheets**



(30) Foreign Application Priority Data

Dec. 3, 2015 (EM) ..... 002888156-0021  
 Dec. 3, 2015 (EM) ..... 002888156-0022  
 Dec. 3, 2015 (EM) ..... 002888156-0023  
 Dec. 3, 2015 (EM) ..... 002888156-0024

(58) Field of Classification Search

USPC ..... D7/554.3, 602, 605, 701, 703, 705;  
 D9/414, 420, 426, 428, 430, 434-436,  
 D9/438, 443, 449, 454, 455, 499, 703,  
 D9/717, 721  
 CPC ..... B65D 5/4204  
 See application file for complete search history.

(56) References Cited

U.S. PATENT DOCUMENTS

D274,792 S \* 7/1984 Price ..... D9/438  
 D276,218 S \* 11/1984 Baldwin ..... D9/443  
 D314,704 S \* 2/1991 Lillelund ..... D7/608  
 D350,046 S \* 8/1994 Zimmerman ..... D7/392  
 D365,024 S \* 12/1995 DuBow ..... D9/434  
 D375,680 S \* 11/1996 Liebermann ..... D9/414  
 D390,111 S \* 2/1998 McCarrick ..... D10/103  
 D493,105 S \* 7/2004 Childs ..... D9/416  
 D495,600 S \* 9/2004 Kouri ..... D9/435  
 D519,374 S \* 4/2006 Hornke ..... D9/454  
 D528,359 S \* 9/2006 Laib ..... D7/392.1  
 D535,877 S \* 1/2007 Tanninen ..... D9/438  
 D591,149 S \* 4/2009 Bonner ..... D9/434  
 D610,006 S \* 2/2010 Ortell ..... D9/454  
 D632,563 S \* 2/2011 Sitabkhan ..... D9/435  
 D636,670 S \* 4/2011 Schedl ..... D9/435  
 D642,055 S \* 7/2011 Schedl ..... D9/435  
 D642,463 S \* 8/2011 Schedl ..... D9/435

D676,275 S \* 2/2013 Chen ..... D7/392.1  
 D676,276 S \* 2/2013 Muspratt-Williams ..... D7/392.1  
 D676,745 S \* 2/2013 MacNeill ..... D9/443  
 D692,720 S \* 11/2013 Audette ..... D7/392  
 D718,136 S \* 11/2014 Harrity ..... D9/499  
 D736,621 S \* 8/2015 Ivancic ..... D9/436  
 D741,708 S \* 10/2015 Thurin ..... D7/629  
 D778,157 S \* 2/2017 Trombetta ..... D9/438  
 D779,949 S \* 2/2017 Merz ..... D9/454

OTHER PUBLICATIONS

Clean and Lean. Greek Yogurt—Not As Healthy As You Think. Oct. 5, 2014 [earliest online date], [site visited Apr. 7, 2017]. Available from Internet, <URL:http://www.cleanandleanrevolution.com/greek-yogurt-not-as-healthy-as-you-think/>.\*  
 Eat This. Best Full Fat Yogurt Weight Loss. Jun. 3, 2015 [earliest online date], [site visited Apr. 7, 2017]. Available from Internet, <URL:http://www.eatthis.com/best-full-fat-yogurt-weight-loss>.\*  
 Cflex.com. Innovation Highlights. Mar. 4, 2015 [earliest online date], [site visited Apr. 10, 2017]. Available from Internet, <URL:http://www.cflex.com/innovation/innovation-highlights/>.\*  
 Image of Comfor Lid. Digital image. *Constantia Flexibles*. Web. Jun. 2, 2016. www.cflex.com/products-applications/packaging/food/dairy/lidding-die-cut/comfor-lid/.  
 Image of Die Cut 35/4. Digital image. *Constantia Flexibles*. Web. Jun. 2, 2016. www.cflex.com/products-applications/packaging/food/dairy/lidding-die-cut/die-cut-354/.  
 Image of Double Lid. Digital image. *Constantia Flexibles*. Web. Jun. 2, 2016. www.cflex.com/products-applications/packaging/food/dairy/lidding-die-cut/double-lid/.  
 Image of PP Peel. Digital image. *Constantia Flexibles*. Web. Jun. 2, 2016. www.cflex.com/products-applications/packaging/food/dairy/lidding-die-cut/pppeel/.

\* cited by examiner

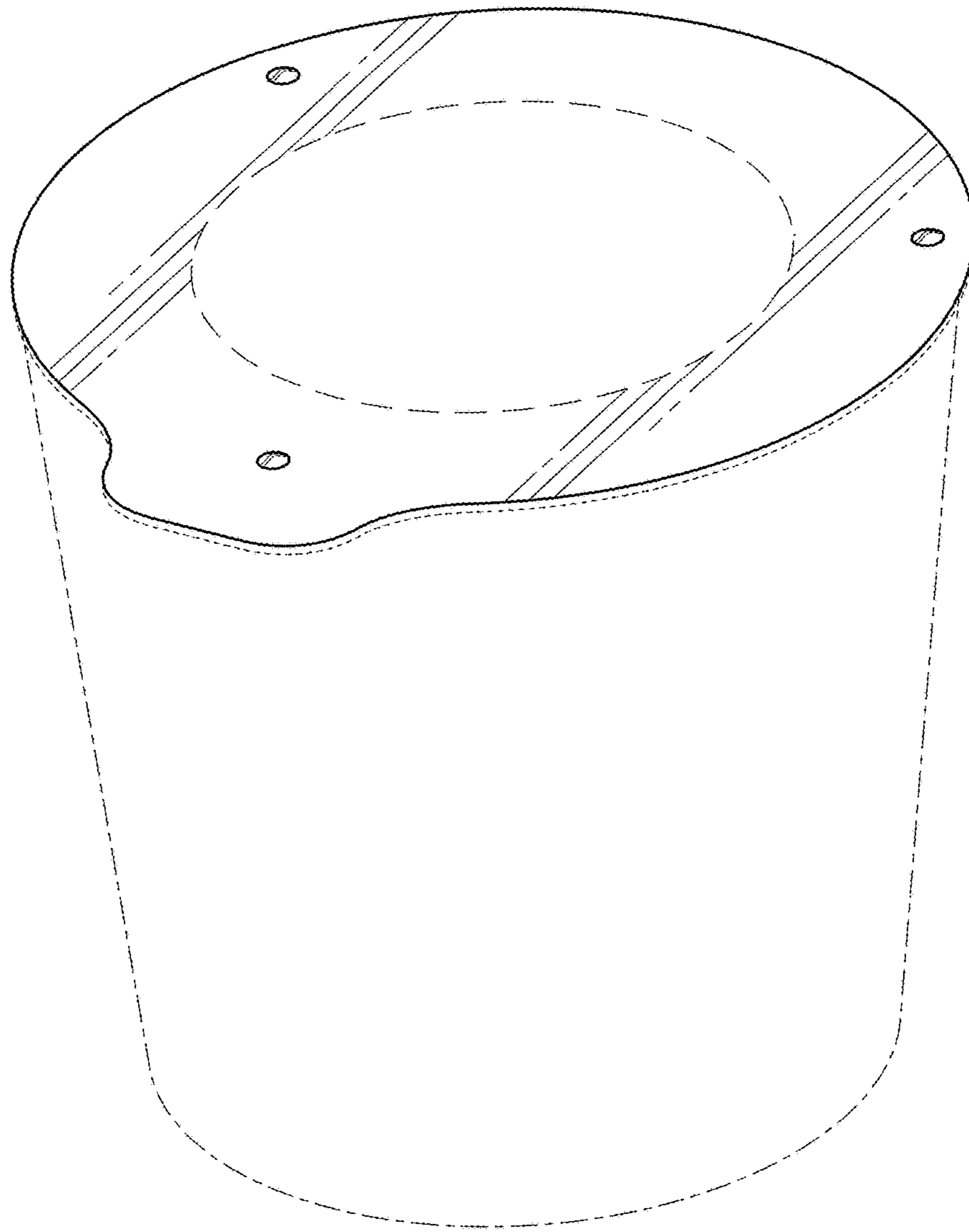


FIG. 1

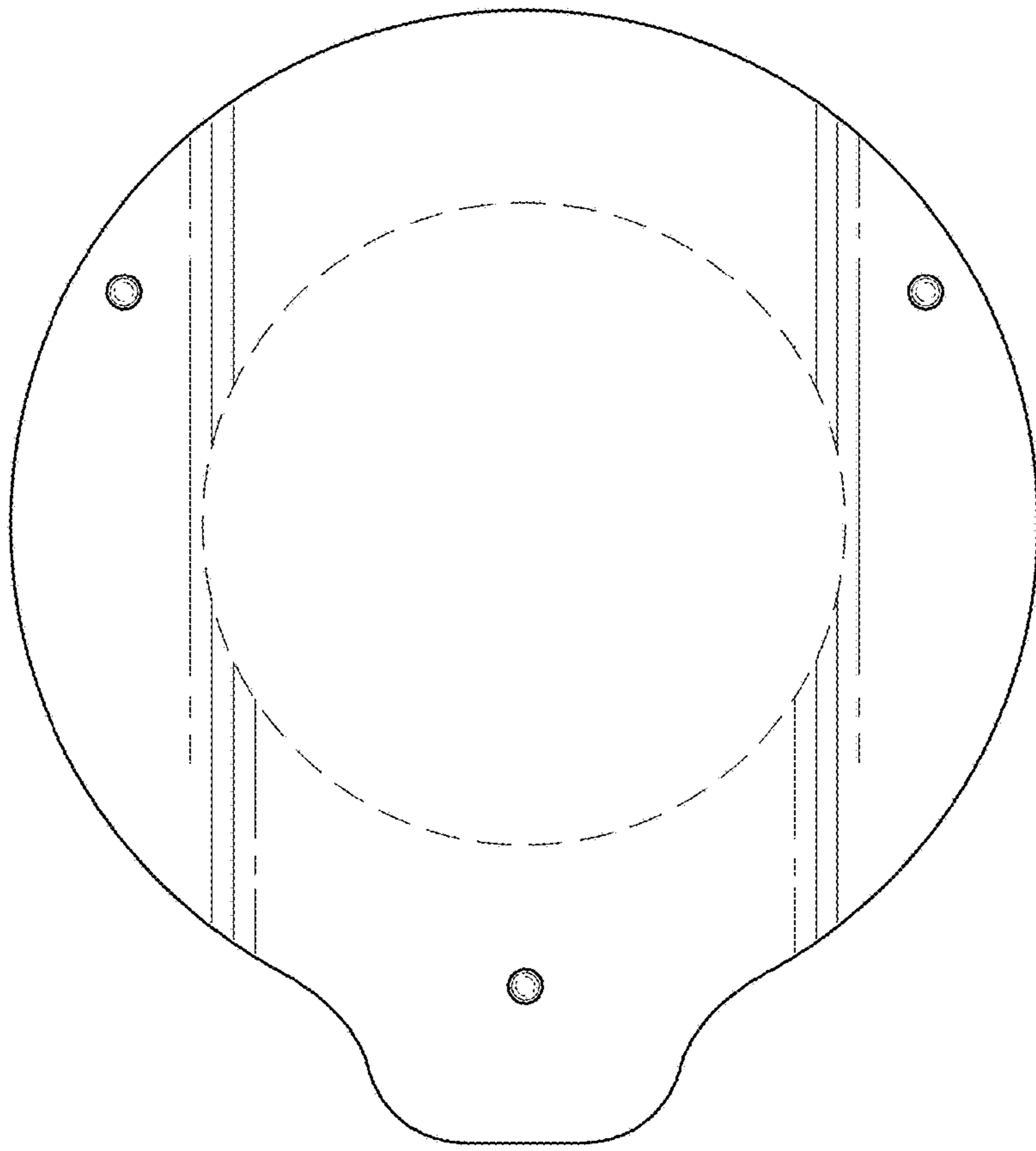


FIG. 2



FIG. 3



FIG. 4