

US00D802410S

(12) **United States Design Patent** (10) **Patent No.:** **US D802,410 S**
Felix (45) **Date of Patent:** **** Nov. 14, 2017**

(54) **HEX FASTENER**
(71) Applicant: **Salvador Felix**, Chico, CA (US)
(72) Inventor: **Salvador Felix**, Chico, CA (US)

2016/0010678 A1* 1/2016 Ortega Dona F16B 37/00
411/432
2016/0053800 A1* 2/2016 Dent F16B 37/00
411/427
2016/0108951 A1* 4/2016 Hsu F16B 41/005
411/427

(**) Term: **15 Years**

FOREIGN PATENT DOCUMENTS

(21) Appl. No.: **29/566,977**

JP 02195009 A * 8/1990
WO WO2013049913 4/2013

(22) Filed: **Jun. 3, 2016**

(51) **LOC (10) Cl.** **08-08**

(52) **U.S. Cl.**

USPC **D8/397**

(58) **Field of Classification Search**

USPC D8/397, 394, 382, 349, 399, 387, 392,
D8/323, 8; D13/151, 133; D23/303

CPC F16B 37/00; F16B 37/14; F16B 37/02;
F16B 37/068; F16B 39/12; F16B 33/02

See application file for complete search history.

OTHER PUBLICATIONS

Tobias Mattsson, Hex Flange Nut, Jan. 20, 2012, GRABCAD,
<https://grabcad.com/library/hex-flange-nut>.*

* cited by examiner

Primary Examiner — John Windmuller
Assistant Examiner — Benjamin Weeks

(56) **References Cited**

(57) **CLAIM**

The ornamental design for a hex fastener, as shown and described.

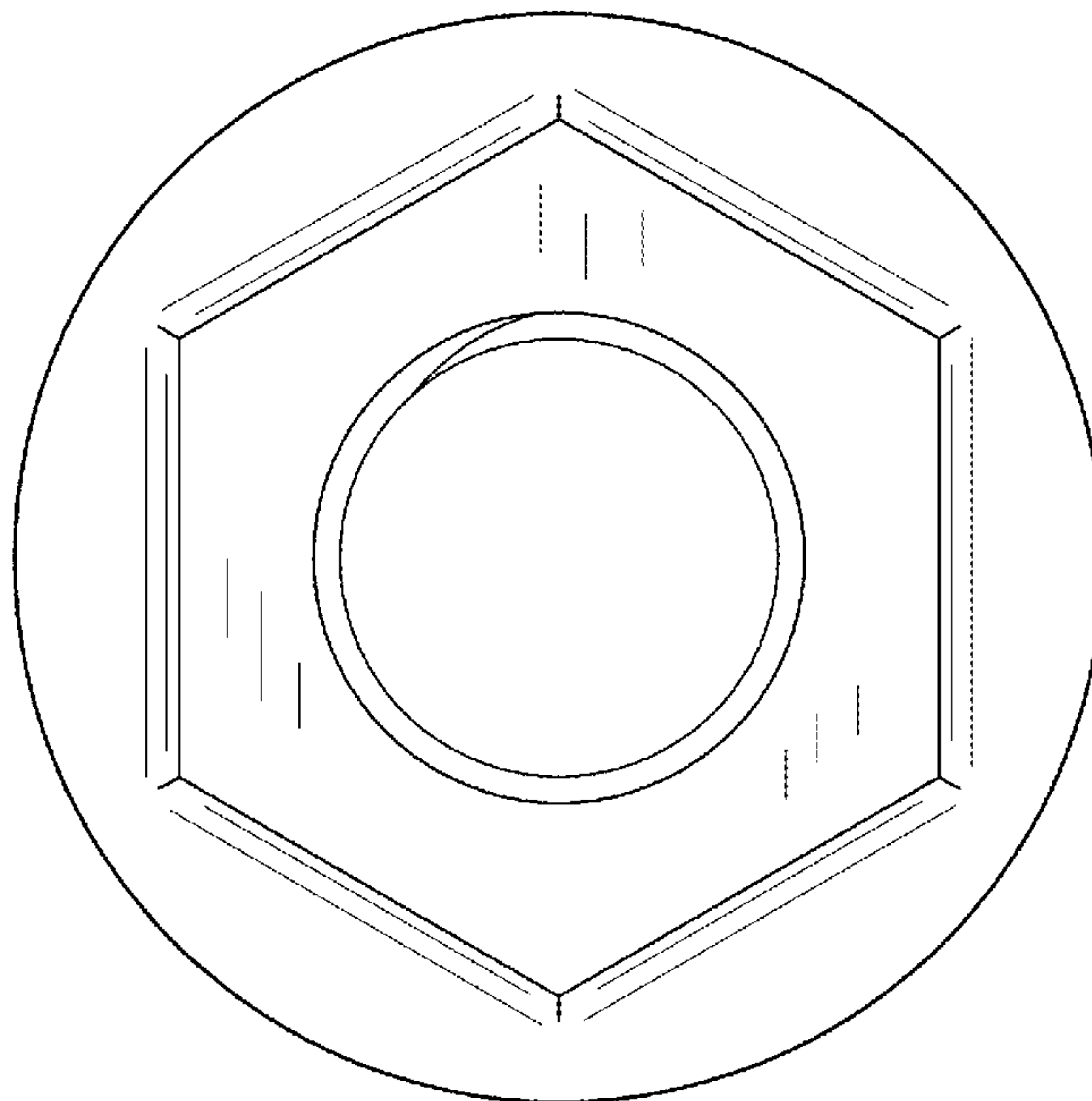
U.S. PATENT DOCUMENTS

DESCRIPTION

D30,898 S * 5/1899 Paine 411/427
4,431,353 A 2/1984 Capuano
4,717,299 A 1/1988 Underwood
D295,370 S 4/1988 Carlo et al.
4,900,209 A 2/1990 Reynolds
4,986,712 A 1/1991 Fultz
D337,255 S * 7/1993 Novelli, Sr. D30/155
D459,207 S * 6/2002 Miyata D8/397
6,935,825 B2 8/2005 Winker
D673,444 S * 1/2013 Kashimura D8/397
D768,473 S * 10/2016 Manwaring D23/262
2002/0012578 A1* 1/2002 Duran F16B 5/0208
411/427

FIG. 1 is a front view of a hex fastener showing my new design;
FIG. 2 is a rear view of the hex fastener;
FIG. 3 is a left side view of the hex fastener, a right side view being a mirror image thereof;
FIG. 4 is a top view of the hex fastener, a bottom view being a mirror image thereof; and,
FIG. 5 is a top front side perspective view of the hex fastener.

1 Claim, 5 Drawing Sheets



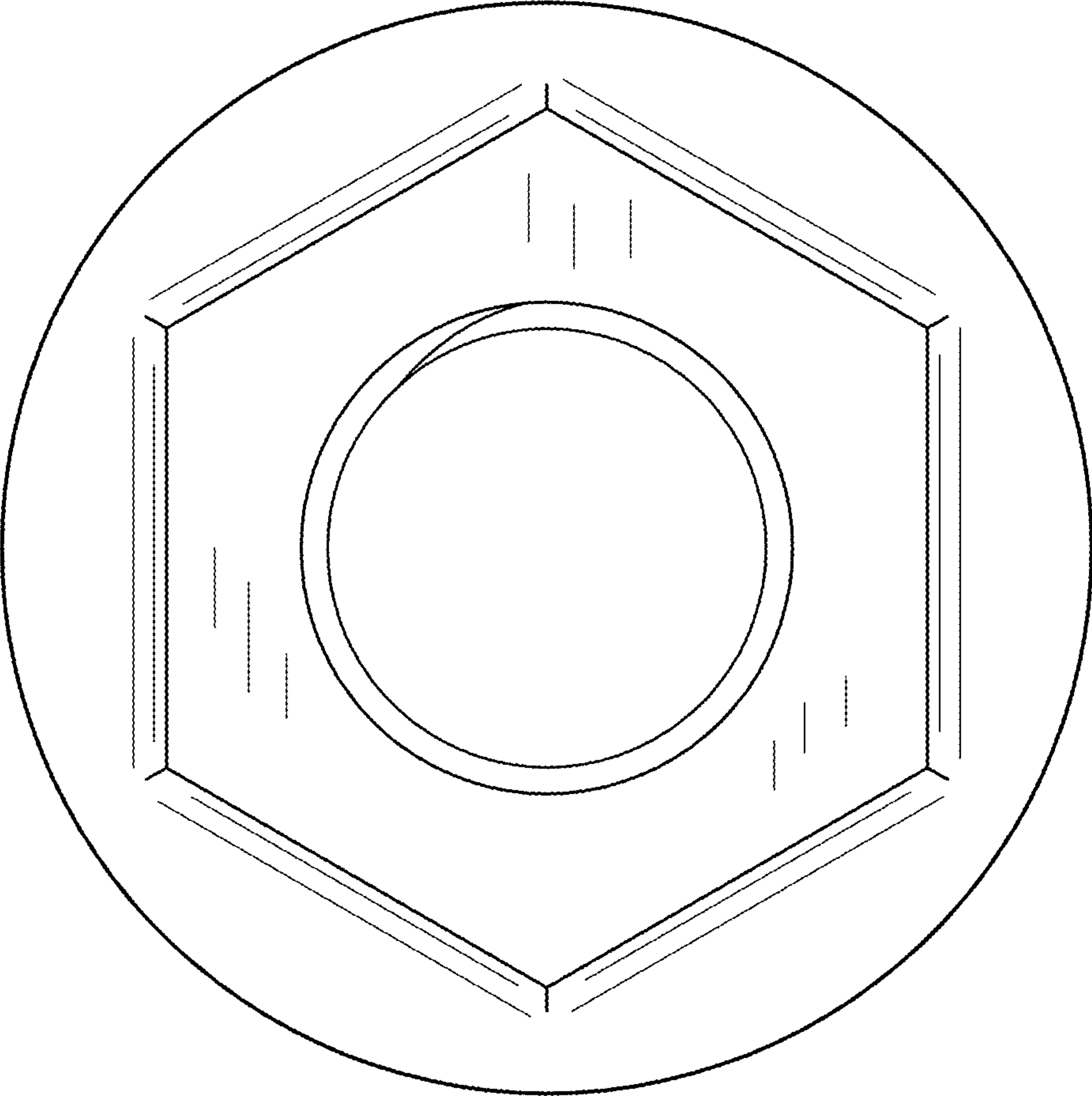


FIG. 1



FIG. 2

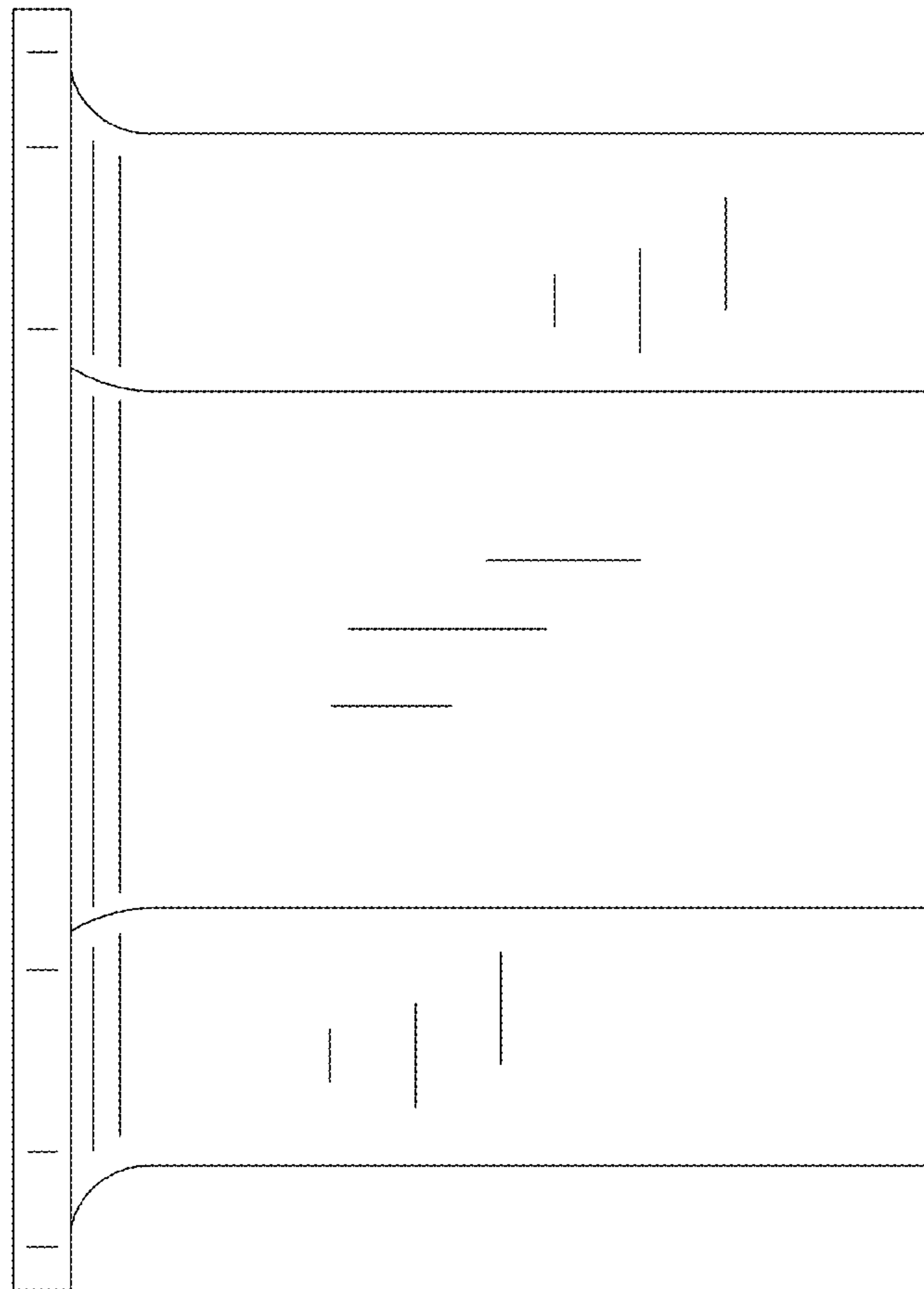


FIG. 3

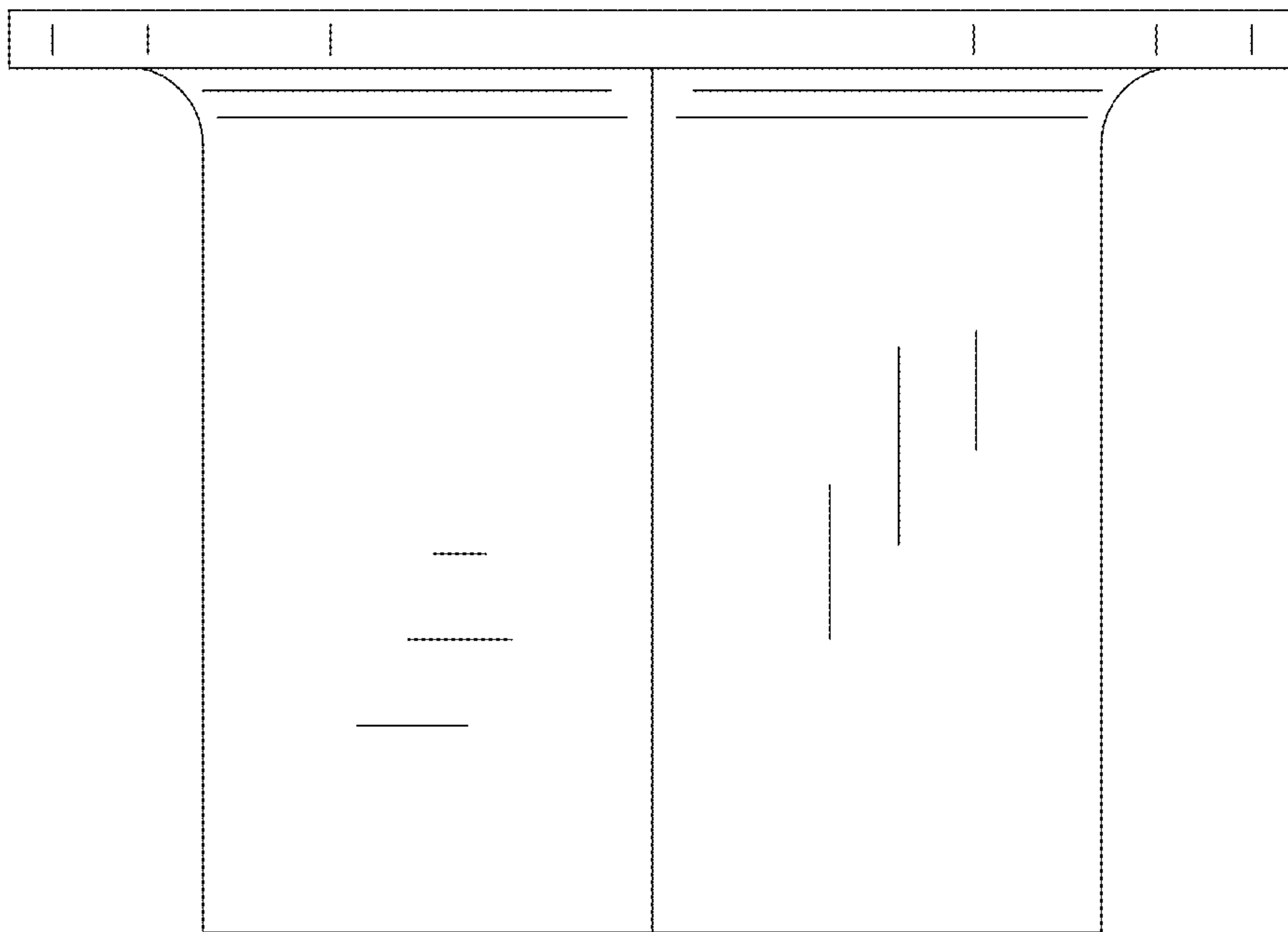


FIG. 4

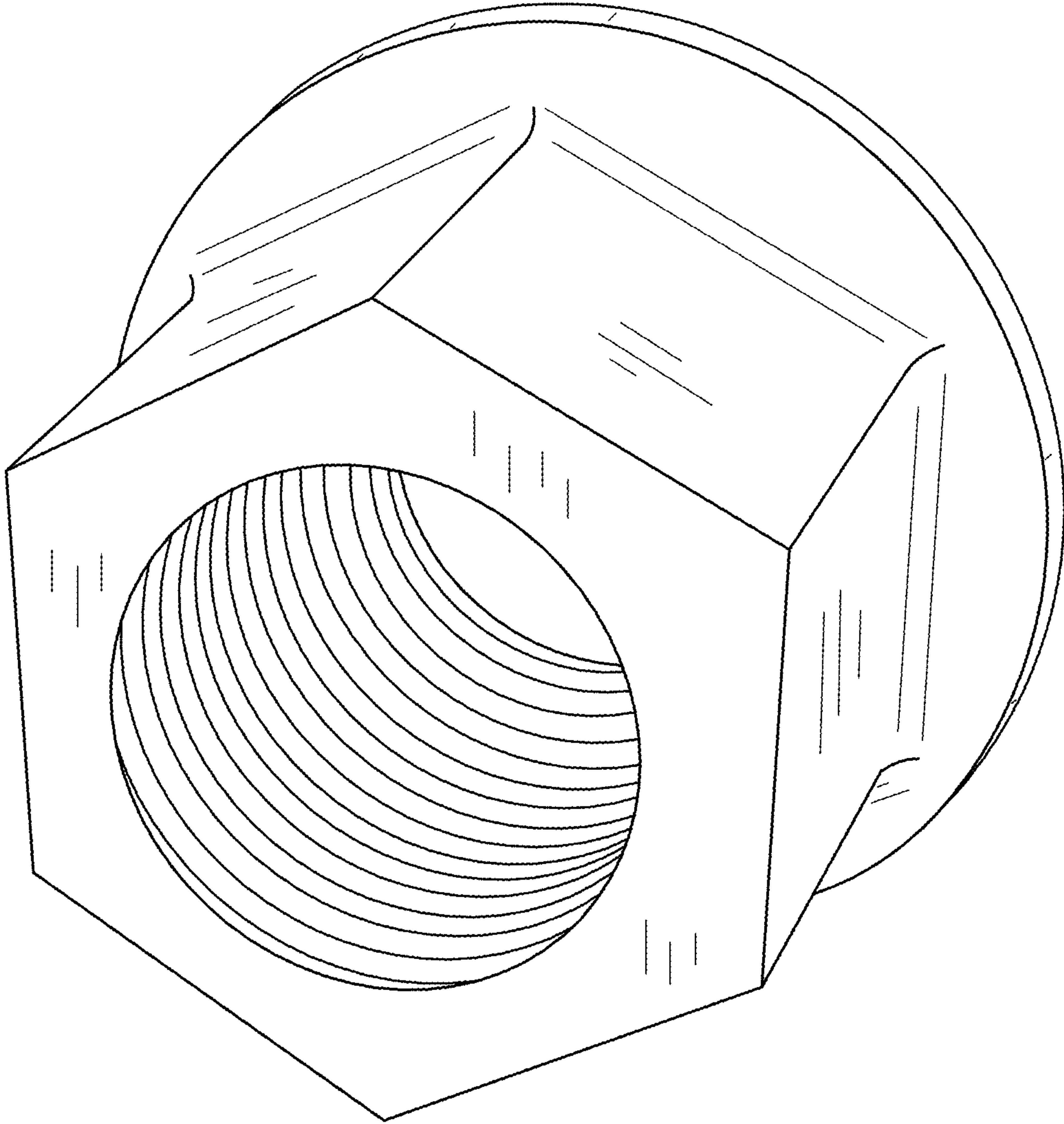


FIG. 5