



US00D802408S

(12) **United States Design Patent** (10) **Patent No.:** **US D802,408 S**
Wang (45) **Date of Patent:** **** Nov. 14, 2017**

(54) **FASTENER**
(71) Applicant: **DTECH PRECISION INDUSTRIES CO., LTD.,** New Taipei (TW)
(72) Inventor: **Ting-Jui Wang,** New Taipei (TW)
(73) Assignee: **DTECH PRECISION INDUSTRIES CO., LTD.** (TW)

(**) Term: **15 Years**

(21) Appl. No.: **29/558,819**

(22) Filed: **Mar. 22, 2016**

(51) **LOC (10) Cl.** **08-08**

(52) **U.S. Cl.**
USPC **D8/387; D8/382**

(58) **Field of Classification Search**
USPC D8/354, 382, 387, 395, 499; D9/434, D9/435, 452, 453, 499
CPC F16B 41/002; F16B 5/0208; F16B 39/28; Y10S 411/97; Y10S 411/999; B65D 41/02; B65D 41/04; A61J 1/00; A61J 1/03
See application file for complete search history.

(56) **References Cited**

U.S. PATENT DOCUMENTS

2,324,175 A * 7/1943 Simms F16B 41/002 411/427
D282,616 S * 2/1986 Gallagher D7/392.1
4,863,036 A * 9/1989 Heijenga B65D 77/2036 206/525
D359,756 S * 6/1995 Ely D20/28
D365,024 S * 12/1995 DuBow D9/434

D388,316 S * 12/1997 McDonough D8/310
D400,430 S * 11/1998 McDonough D8/312
D417,817 S * 12/1999 Loew D7/392.1
D591,149 S * 4/2009 Bonner D9/434
D636,670 S * 4/2011 Schedl D9/435
D642,055 S * 7/2011 Schedl D9/435
D642,463 S * 8/2011 Schedl D9/435
D668,308 S * 10/2012 Gilmore D21/803
D743,256 S * 11/2015 Neumann D9/443

* cited by examiner

Primary Examiner — Sandra Snapp

Assistant Examiner — Ieisha Price

(74) *Attorney, Agent, or Firm* — Schmeiser, Olsen & Watts, LLP

(57) **CLAIM**

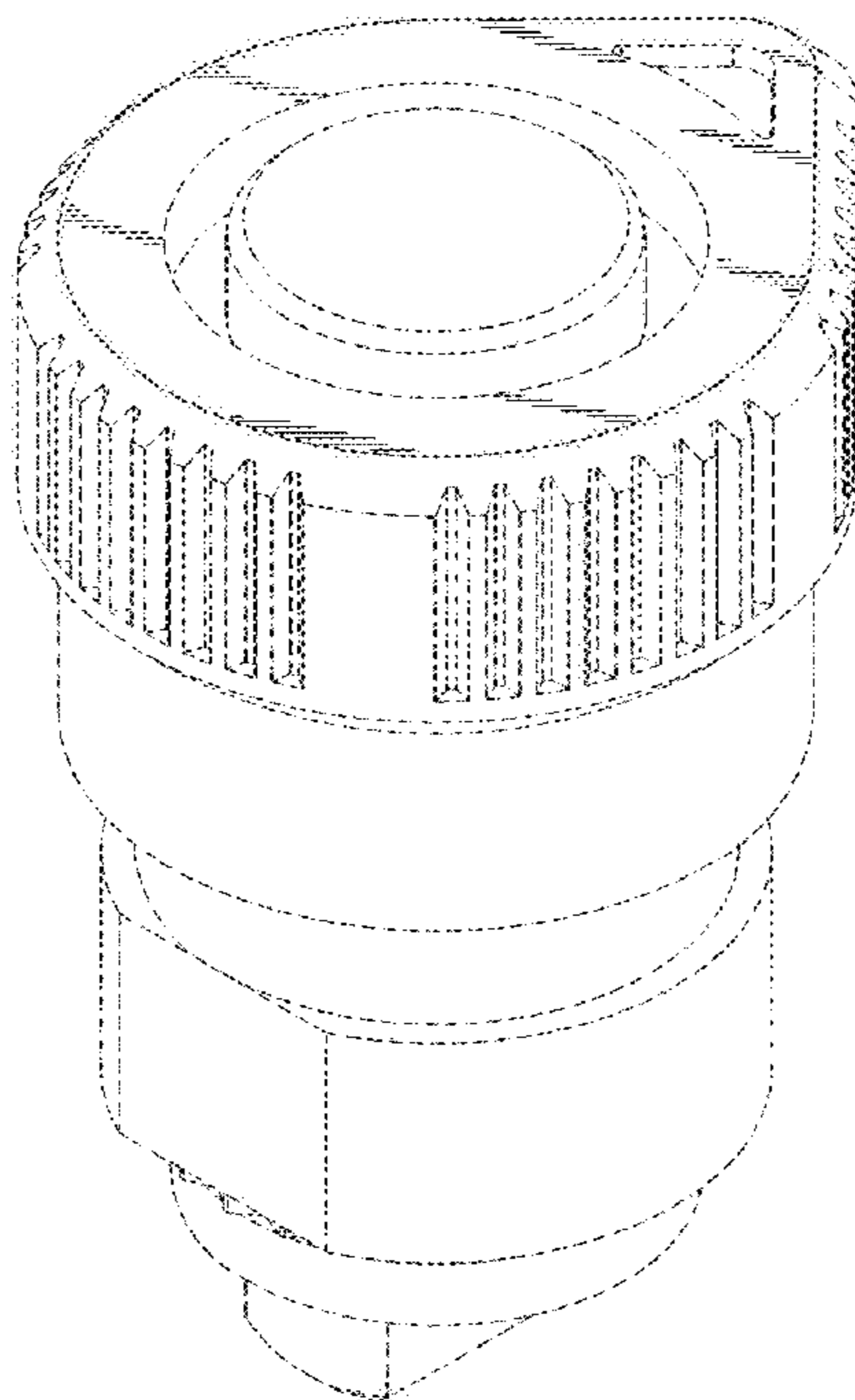
The ornamental design for a fastener, as shown and described.

DESCRIPTION

FIG. 1 is a perspective view of a fastener showing my new design;
FIG. 2 is a front elevation view thereof;
FIG. 3 is a rear elevation view thereof;
FIG. 4 is a left side elevation view thereof;
FIG. 5 is a right side elevation view thereof;
FIG. 6 is a top plan view thereof; and,
FIG. 7 is a bottom plan view thereof.

The broken lines shown represent unclaimed subject matter and form no part of the claimed design.
The surface shading shown represents claimed subject matter and forms part of the claimed design.

1 Claim, 7 Drawing Sheets



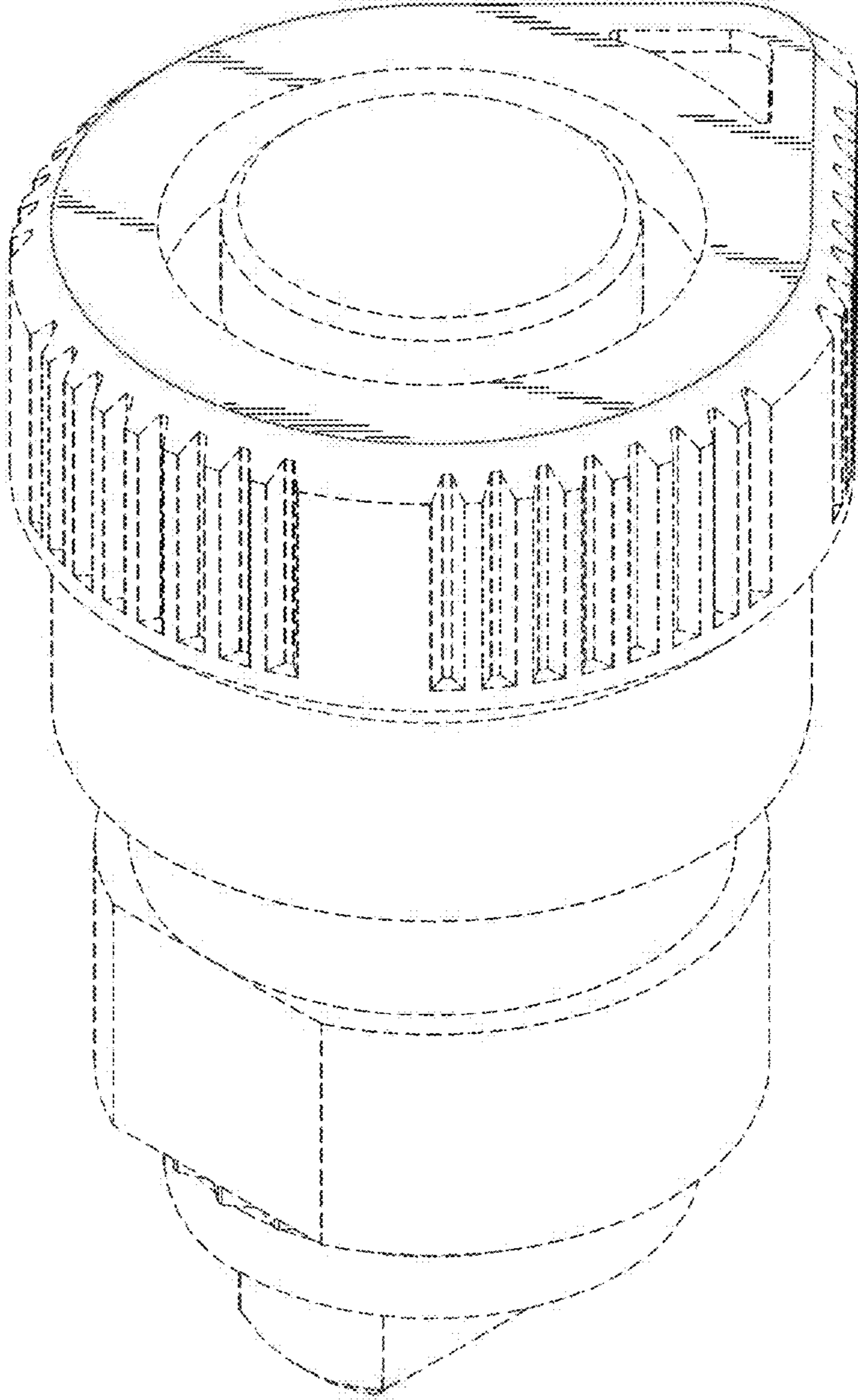


FIG. 1

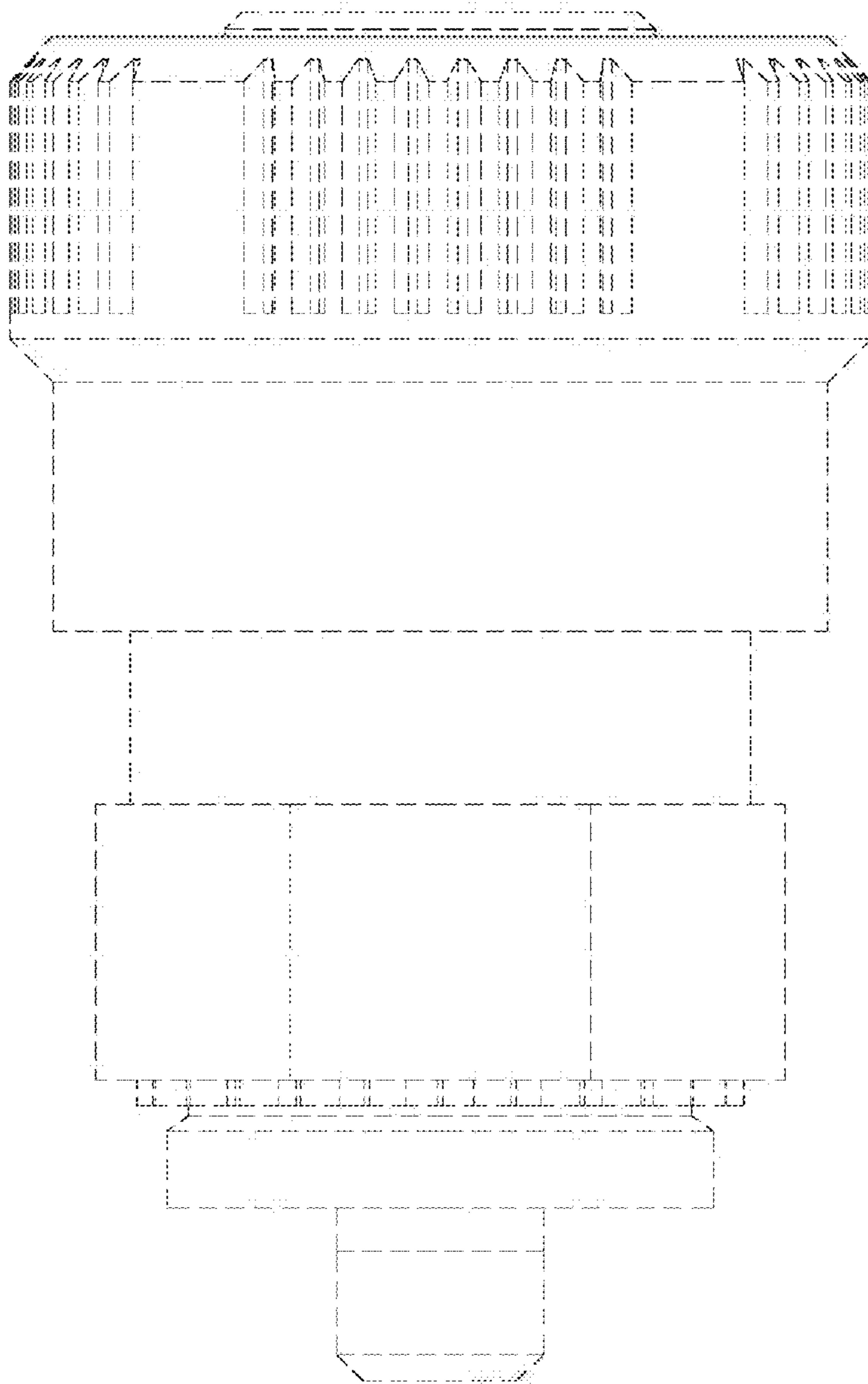


FIG. 2

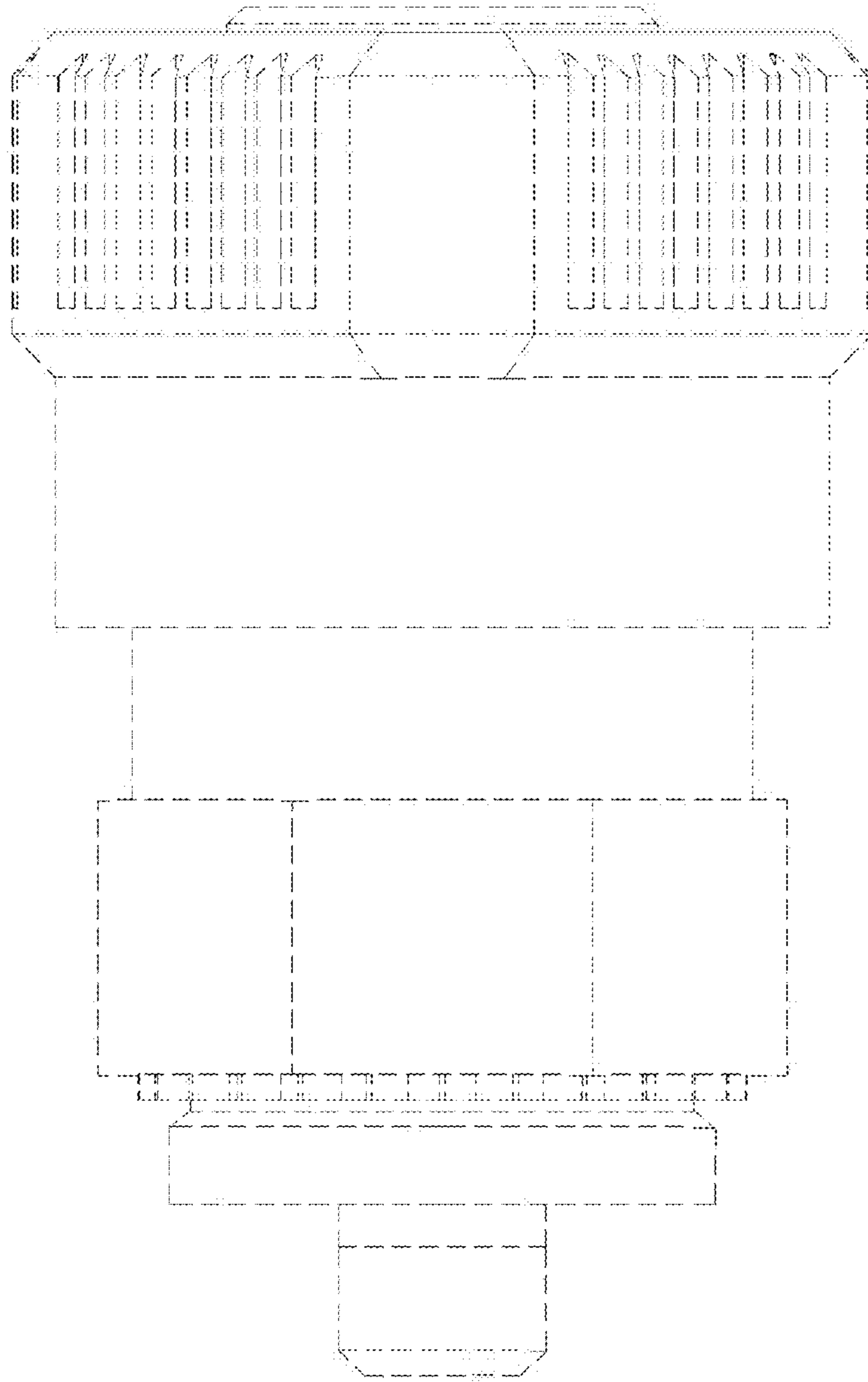


FIG. 3

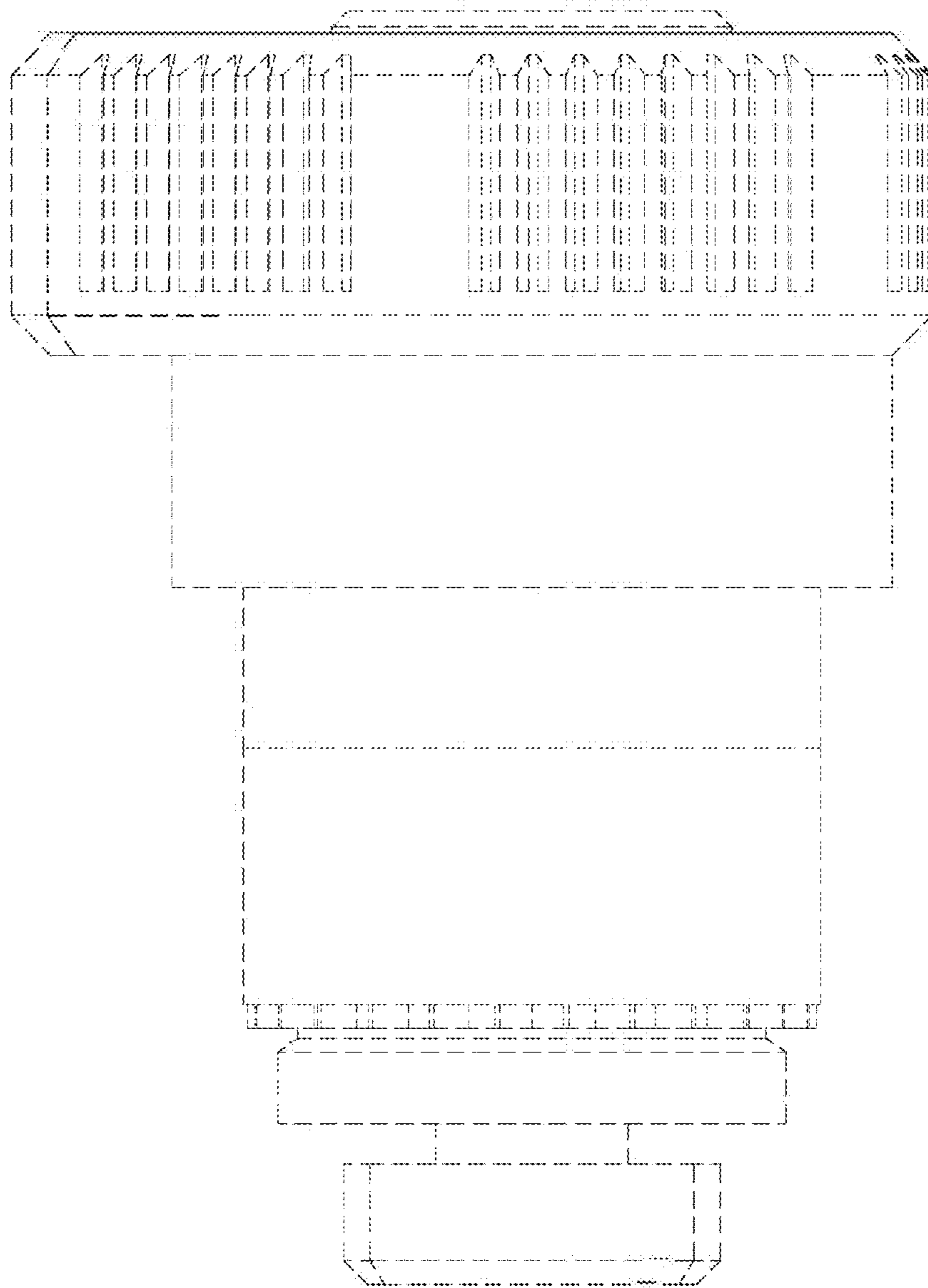


FIG. 4

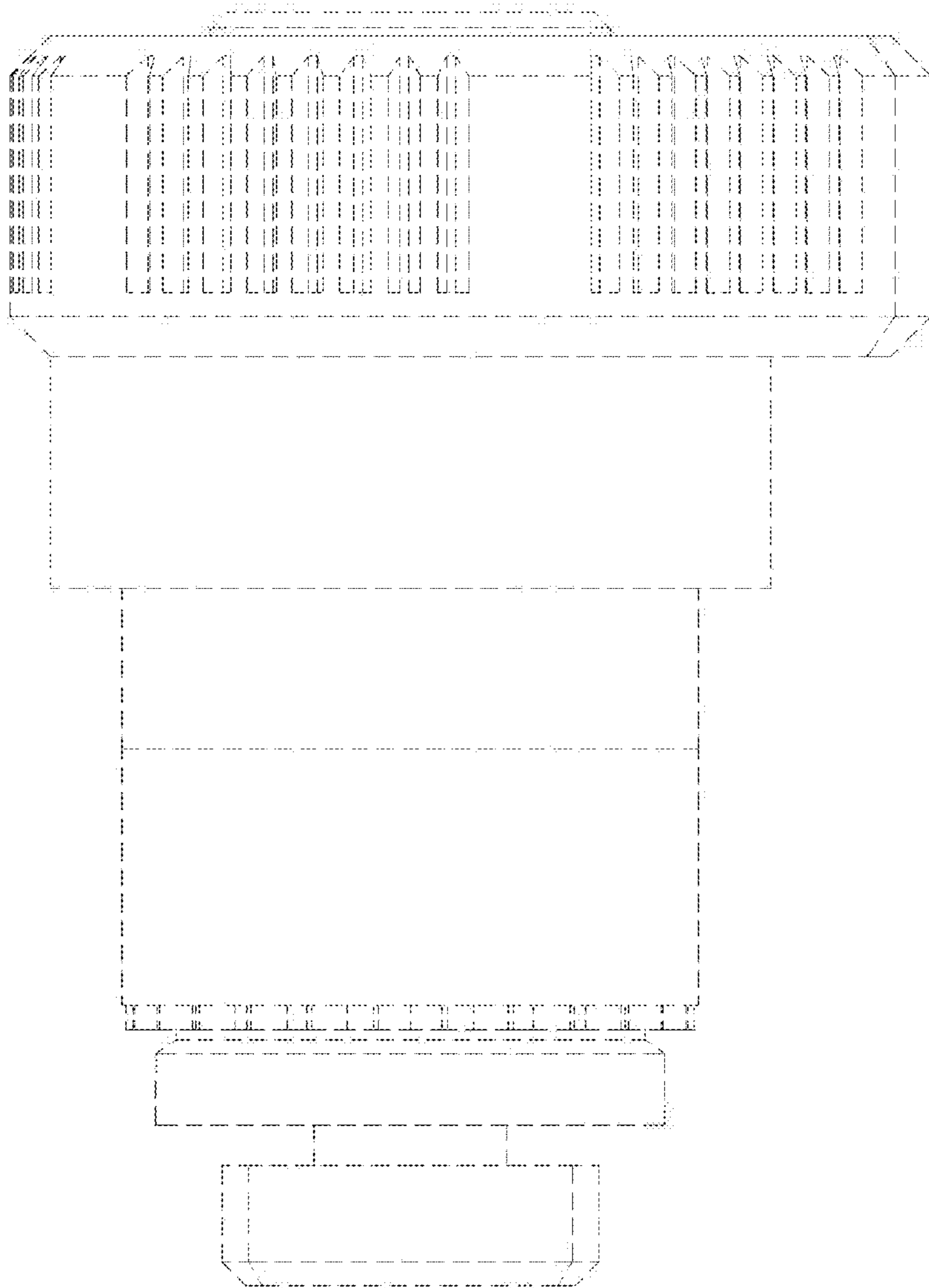


FIG. 5

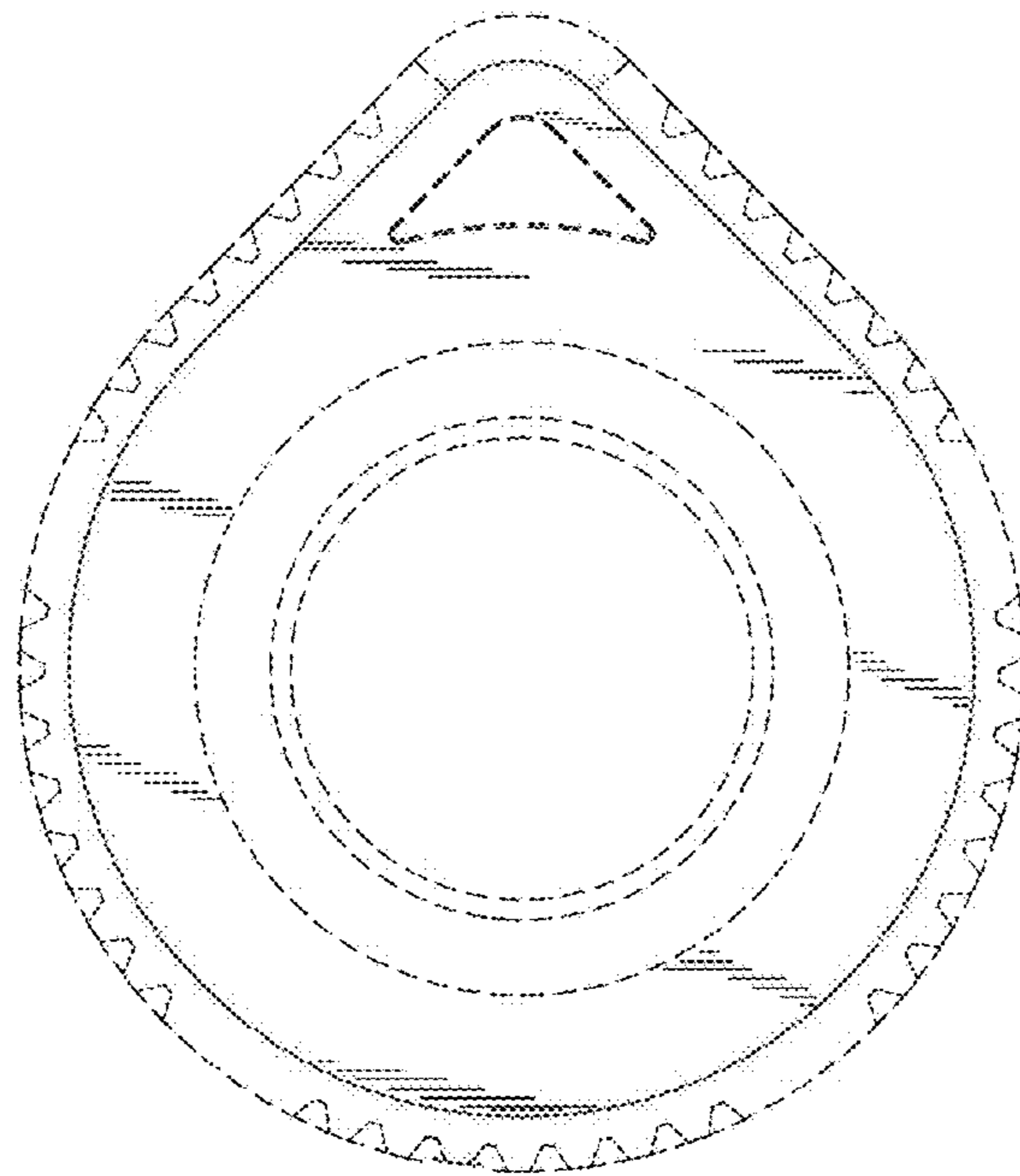


FIG. 6

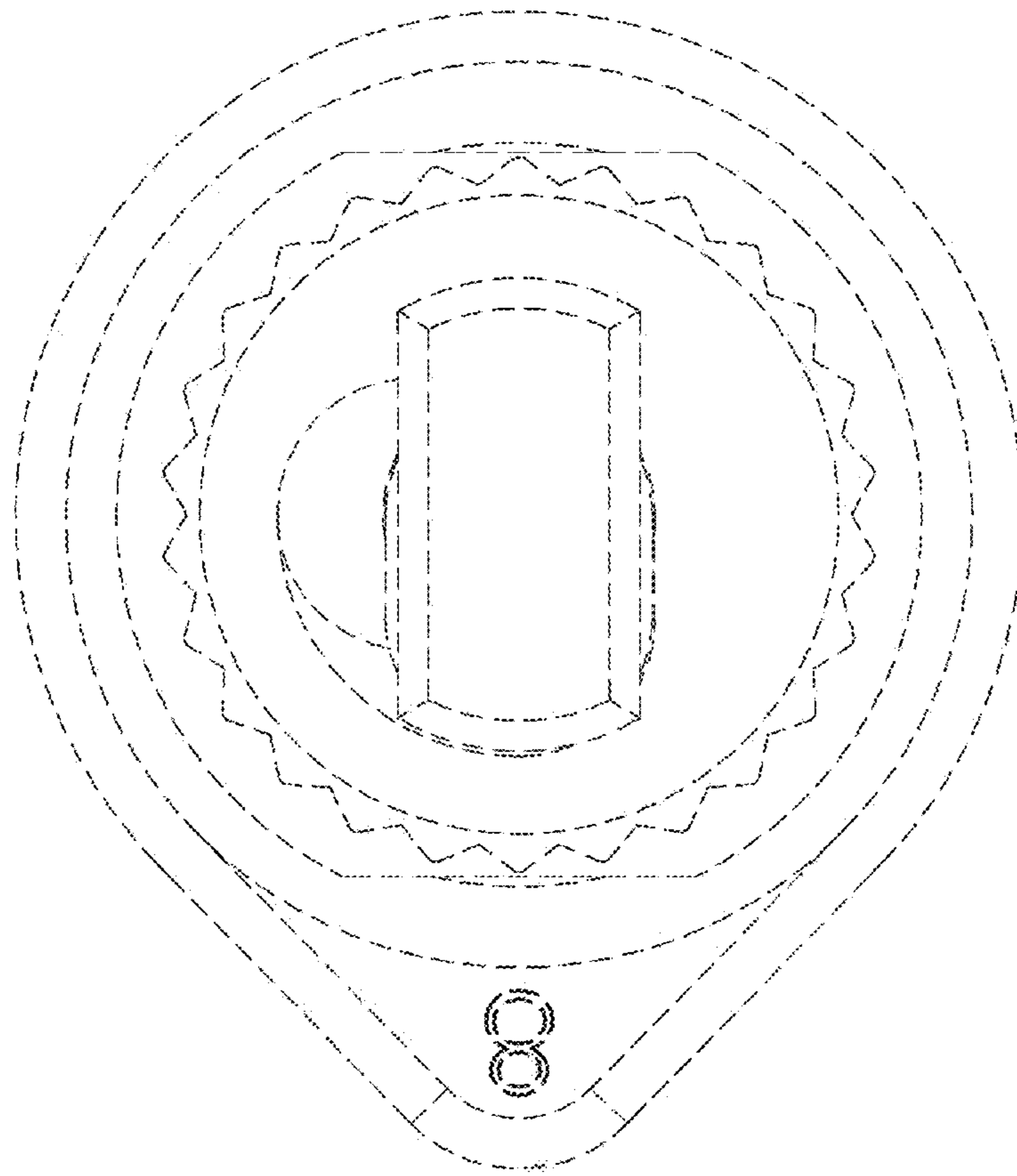


FIG. 7