



US00D802404S

(12) **United States Design Patent**
Turksu et al.

(10) **Patent No.:** **US D802,404 S**

(45) **Date of Patent:** **** Nov. 14, 2017**

(54) **MAGNET CLIP MOUNT**
(71) Applicant: **SARIANA, LLC**, San Diego, CA (US)
(72) Inventors: **Alan Turksu**, San Diego, CA (US);
Mustafa Burak Guclu, San Diego, CA (US)
(73) Assignee: **SARIANA, LLC**, San Diego, CA (US)
(**) Term: **15 Years**
(21) Appl. No.: **29/557,619**

(22) Filed: **Mar. 10, 2016**
(51) **LOC (10) Cl.** **08-05**
(52) **U.S. Cl.**
USPC **D8/373; D8/349; D12/415**

(58) **Field of Classification Search**
USPC D8/373, 349, 16, 19, 354, 355, 363, 364,
D8/366, 370-372, 376, 380, 381, 382,
D8/384-386, 396; D6/553, 550, 323,
D6/554, 555, 512, 327, 324, 567, 566;
D23/223, 238, 252, 257; D12/416, 415;
D11/208; D20/15, 41, 42; D25/38.1, 39,
D25/43
CPC F16M 13/00; F16B 1/00; F16B 47/003;
A45C 13/1069; A45C 13/002; A45C
11/00; A45C 2011/002; A45C 2200/15;
B60R 11/0241; B60R 11/02; B60R
2011/0063; B60R 2011/007; B60R
2011/0005; B60R 2011/0008; B60R
2011/0021; B60R 2011/0054; B60R
2011/0056; B60R 2011/0059; B60R
2011/6061

See application file for complete search history.

(56) **References Cited**

U.S. PATENT DOCUMENTS

D273,840 S * 5/1984 Morita D11/231
D371,793 S 7/1996 Patton

D400,429 S * 11/1998 Morita D11/220
D407,985 S 4/1999 Pimentel
D426,491 S * 6/2000 Chan D11/220
D435,835 S 1/2001 Steck
D438,451 S * 3/2001 Reiter D11/220
D441,639 S * 5/2001 Reiter D8/382
D454,482 S * 3/2002 Morita D8/382
D461,400 S * 8/2002 Aoki D8/382
D464,562 S * 10/2002 Reiter D8/382
D511,985 S 11/2005 Kelly, Jr.
D512,417 S 12/2005 Hirakawa
D515,040 S 2/2006 Jones
D518,030 S 3/2006 Lin
D526,973 S 8/2006 Gates
D530,525 S 10/2006 Greene, II
D561,345 S * 2/2008 Flick D23/207
D601,564 S 10/2009 Maeno
D602,911 S 10/2009 Wang
D627,306 S 11/2010 Charleux
D658,640 S 5/2012 Ivaskevicius

(Continued)

Primary Examiner — Mark Goodwin

(74) *Attorney, Agent, or Firm* — Wagenknecht IP Law Group PC

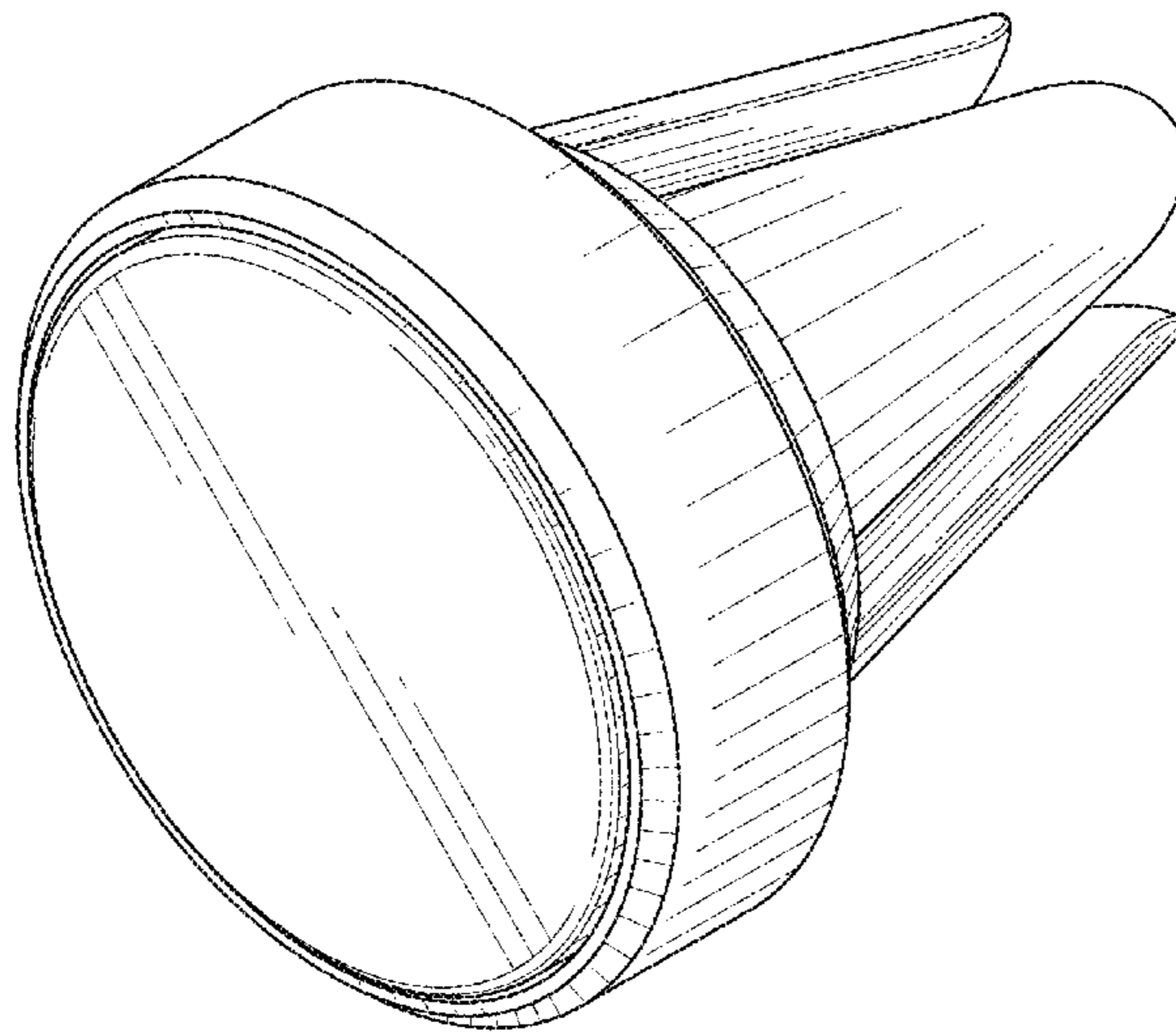
(57) **CLAIM**

What is claimed is an ornamental design for a magnet clip mount, as shown and described.

DESCRIPTION

FIG. 1 is a front, left, top view of a magnet clip mount showing our new design;
FIG. 2 is a front elevational view thereof;
FIG. 3 is a rear elevational view thereof;
FIG. 4 is right side elevational view thereof;
FIG. 5 is a left side elevational view thereof;
FIG. 6 is a top plan view thereof;
FIG. 7 is a bottom plan view thereof; and,
FIG. 8 is rear, right, top view thereof.
wherein the broken lines are included for illustrative purposes only and form no part of the claimed design.

1 Claim, 5 Drawing Sheets



(56)

References Cited

U.S. PATENT DOCUMENTS

D671,096 S 11/2012 Song
 D671,528 S 11/2012 Fathollahi
 D683,251 S 5/2013 Dumas
 D687,009 S 7/2013 Song
 D690,707 S * 10/2013 Minn D14/447
 D691,879 S * 10/2013 Bernard D8/382
 D696,673 S * 12/2013 Vogel D14/447
 D700,904 S 3/2014 Miller
 D702,146 S 4/2014 Giovanni
 D704,177 S 5/2014 Chun
 D705,748 S 5/2014 He
 D706,249 S 6/2014 Holzer
 D709,066 S * 7/2014 Byun D14/253
 D715,132 S * 10/2014 McSweyn D8/363
 D718,612 S * 12/2014 McSweyn D8/363
 D724,060 S 3/2015 Ahn
 D725,088 S 3/2015 Kwak
 D726,161 S 4/2015 Howard
 D729,773 S 5/2015 Salojarvi
 D739,708 S * 9/2015 McSweyn D8/349
 D743,382 S 11/2015 Katori
 D743,954 S 11/2015 Chuang

D746,165 S 12/2015 Li
 D746,166 S 12/2015 Li
 D747,229 S 1/2016 Perez
 D747,984 S 1/2016 Zhao
 D750,612 S * 3/2016 Chen D14/253
 D750,633 S * 3/2016 Minn D14/447
 D765,651 S * 9/2016 Liu D14/253
 9,441,659 B2 * 9/2016 Ortwein F16B 11/006
 D769,860 S * 10/2016 Xiao D14/253
 D775,534 S * 1/2017 Turksu D10/31
 D778,714 S * 2/2017 McSweyn D12/415
 D780,168 S * 2/2017 Du D14/253
 D781,297 S * 3/2017 Liao D14/447
 D782,462 S * 3/2017 Huang D14/253
 D782,901 S * 4/2017 Richter D8/355
 D783,592 S * 4/2017 Ju D14/253
 2005/0245254 A1 11/2005 Hall
 2012/0255505 A1 10/2012 Gauthier
 2013/0272775 A1 * 10/2013 Ortwein F16B 11/006
 403/66
 2013/0292481 A1 11/2013 Filson
 2014/0138419 A1 * 5/2014 Minn B60R 11/0241
 224/567
 2017/0035172 A1 * 2/2017 Kim A45C 13/1069
 2017/0170858 A1 * 6/2017 Tiller H04B 1/3877

* cited by examiner

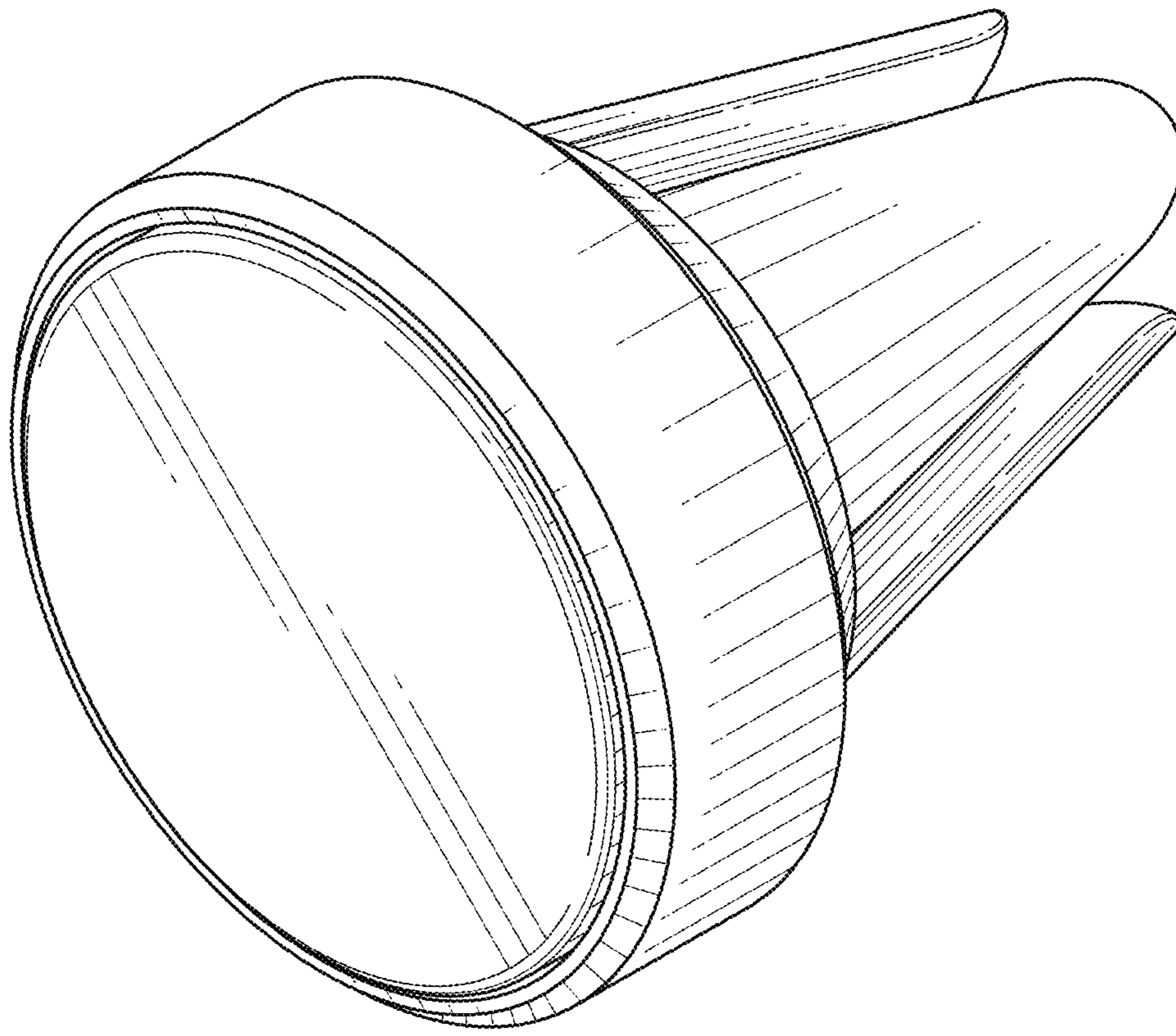


FIG. 1

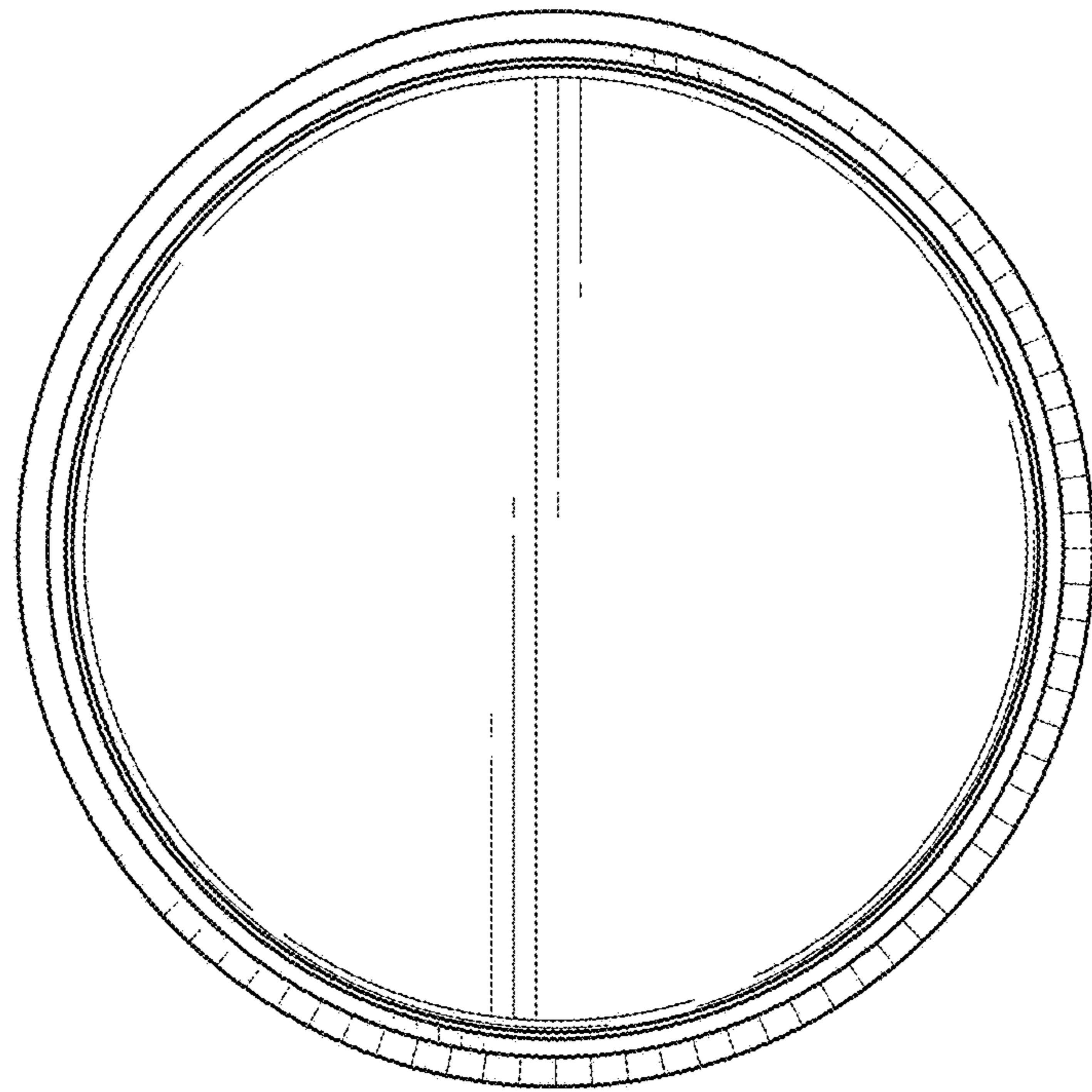


FIG. 2

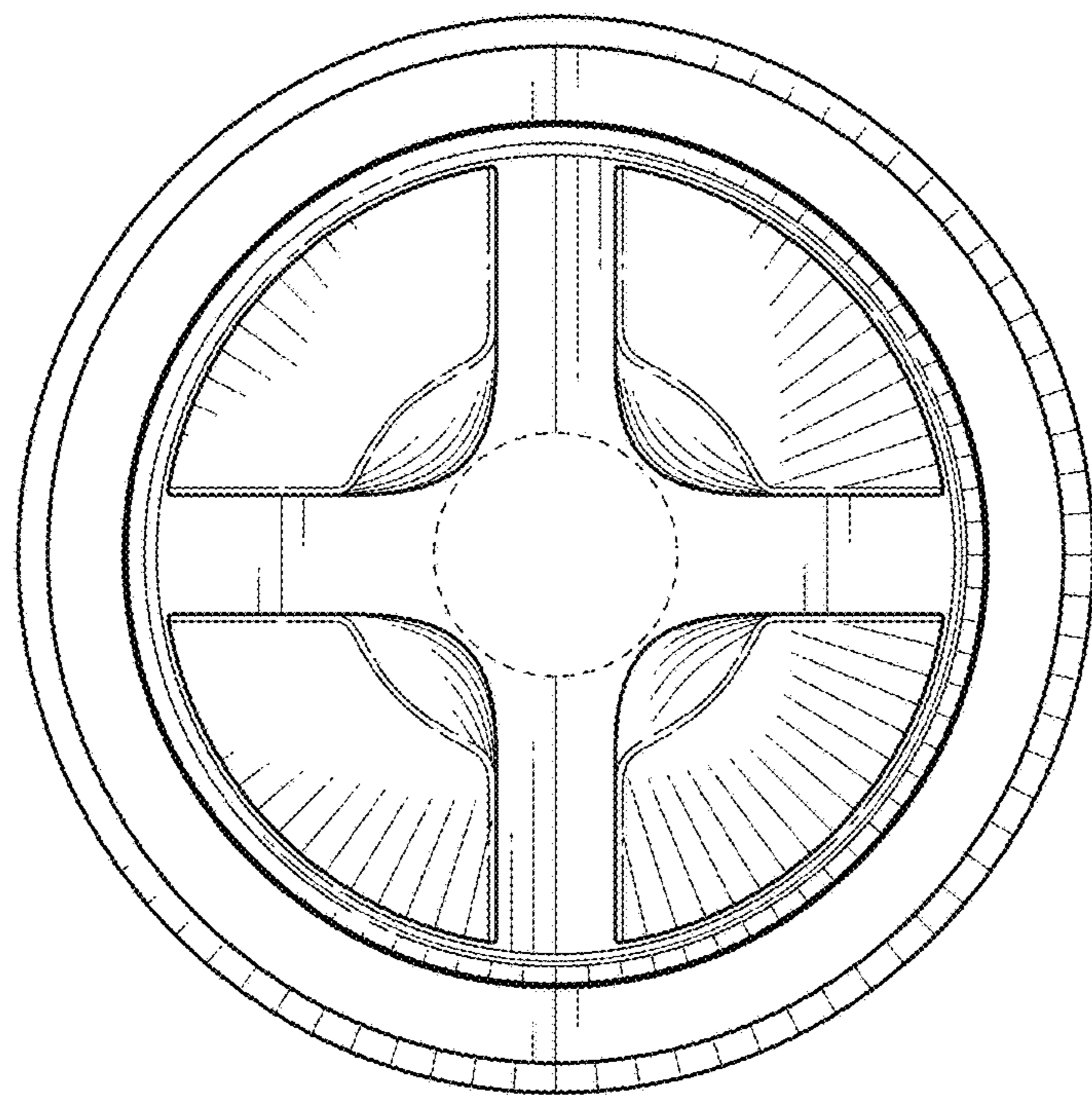


FIG. 3

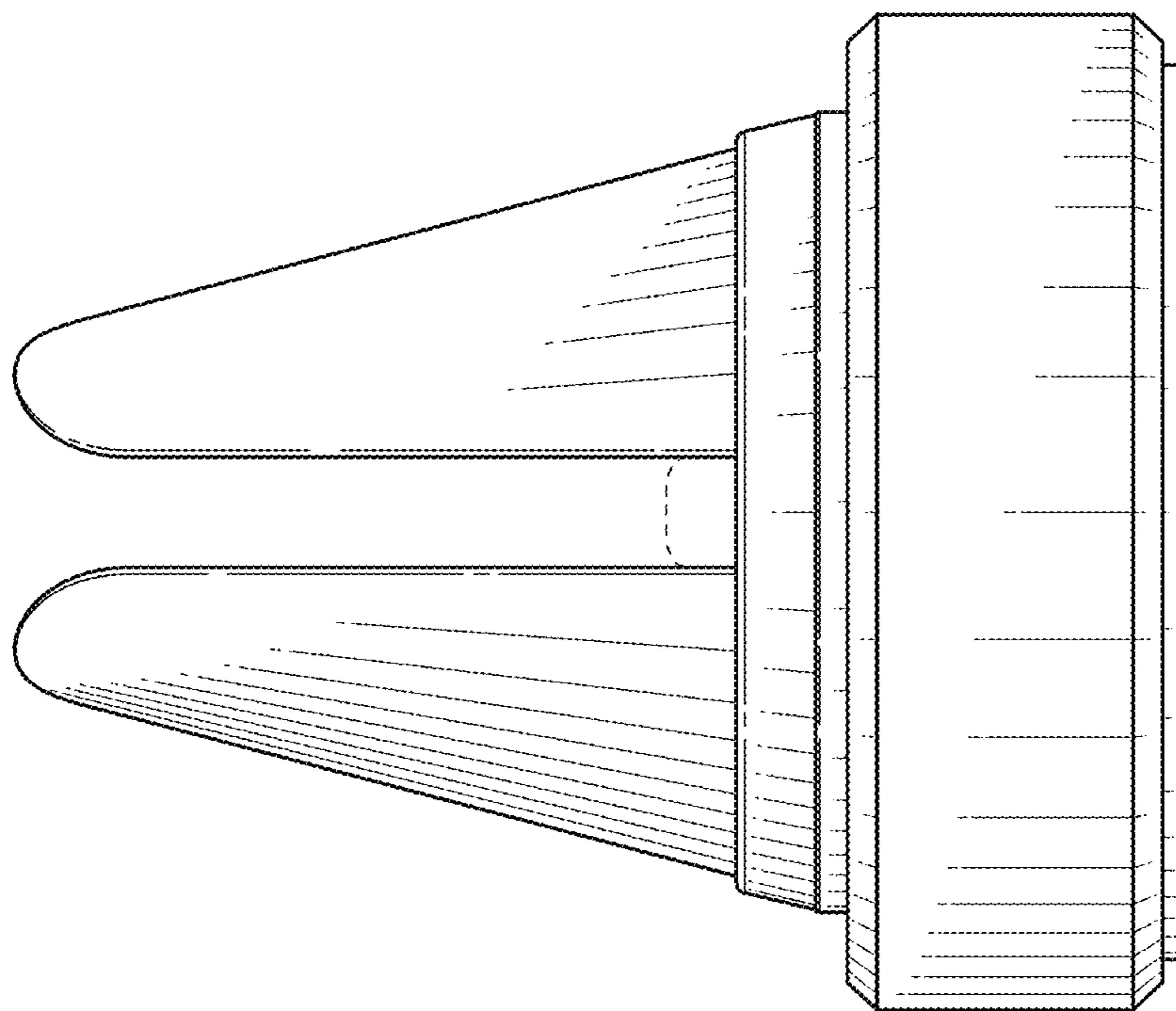


FIG. 4

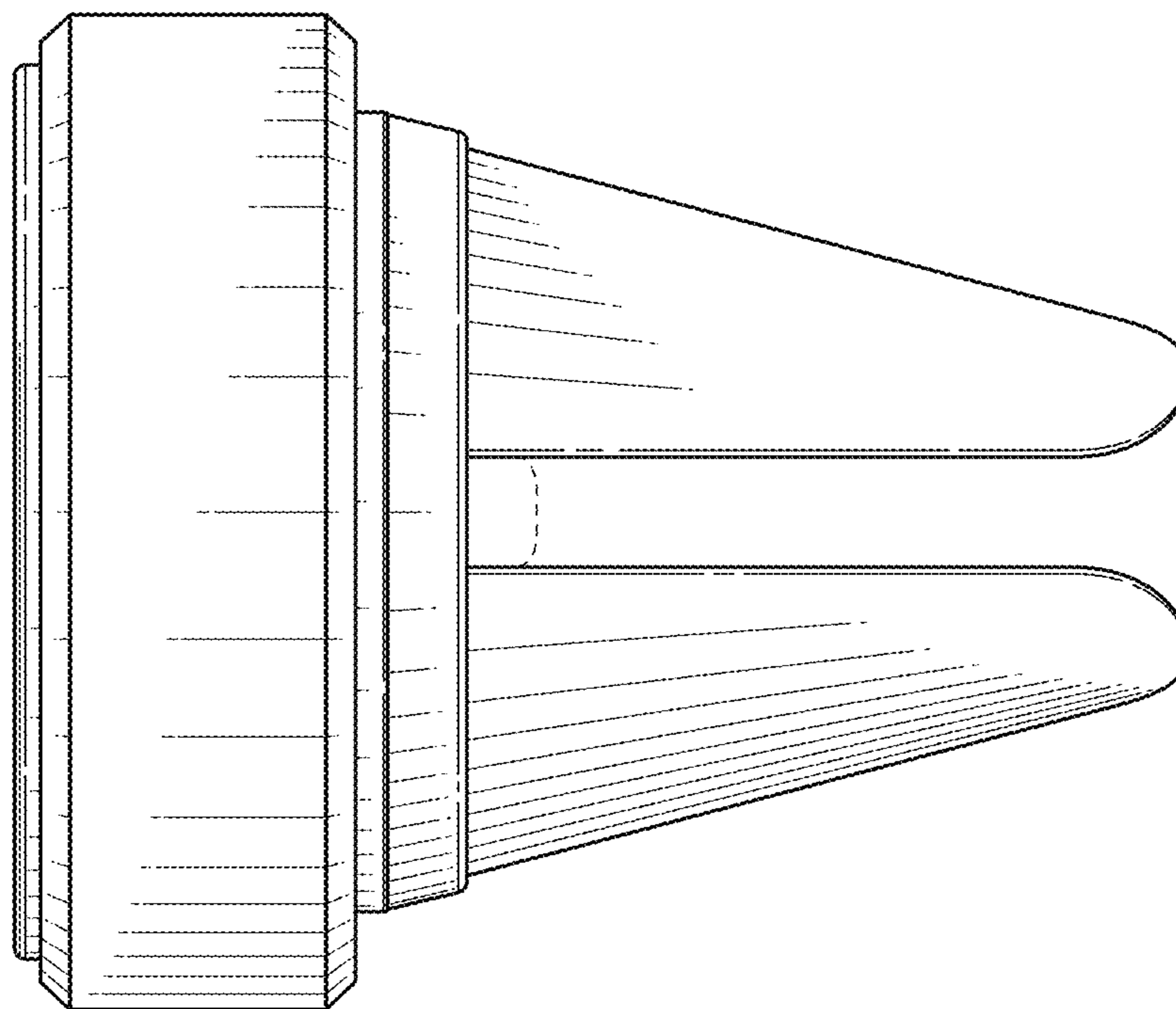


FIG. 5

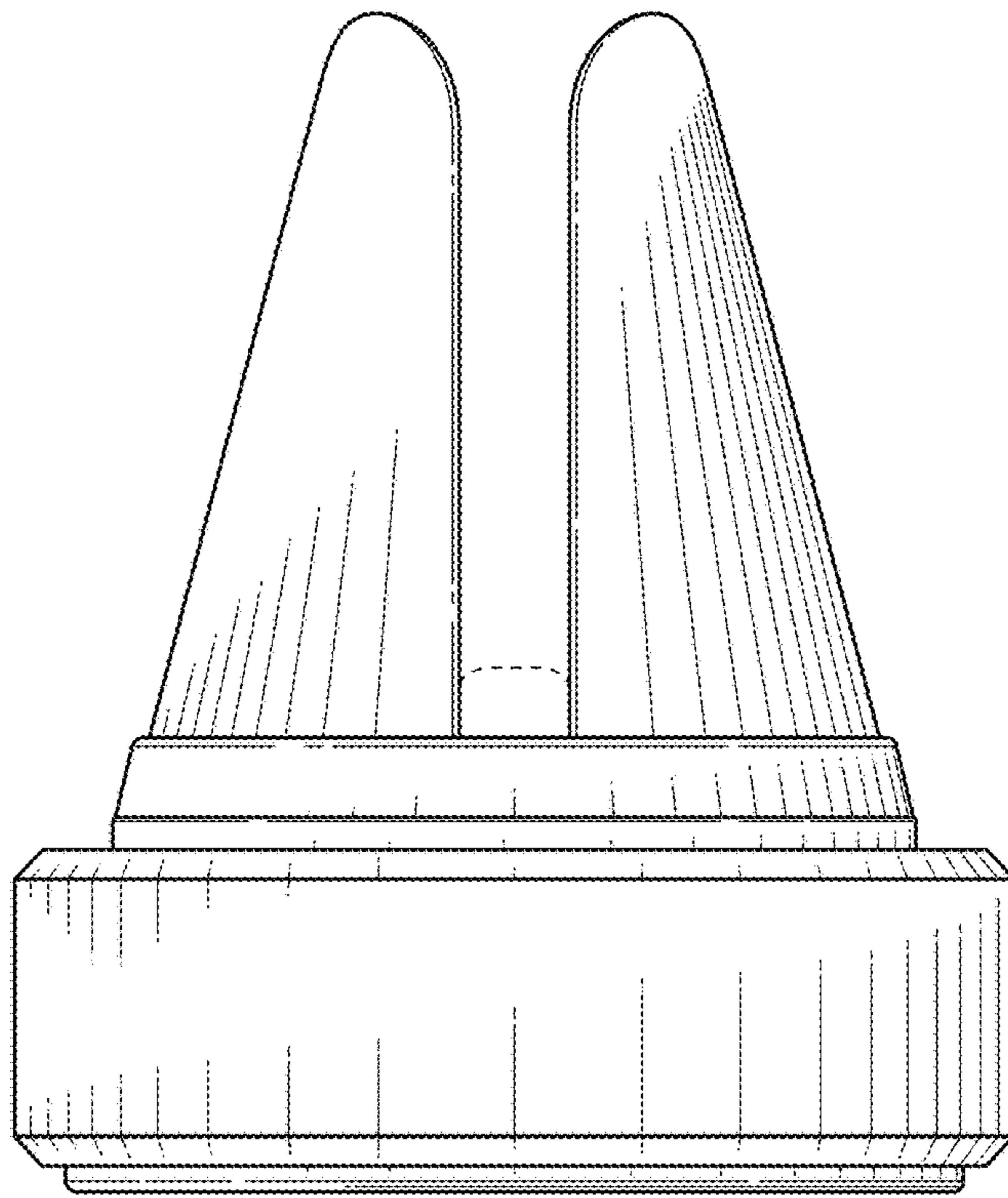


FIG. 6

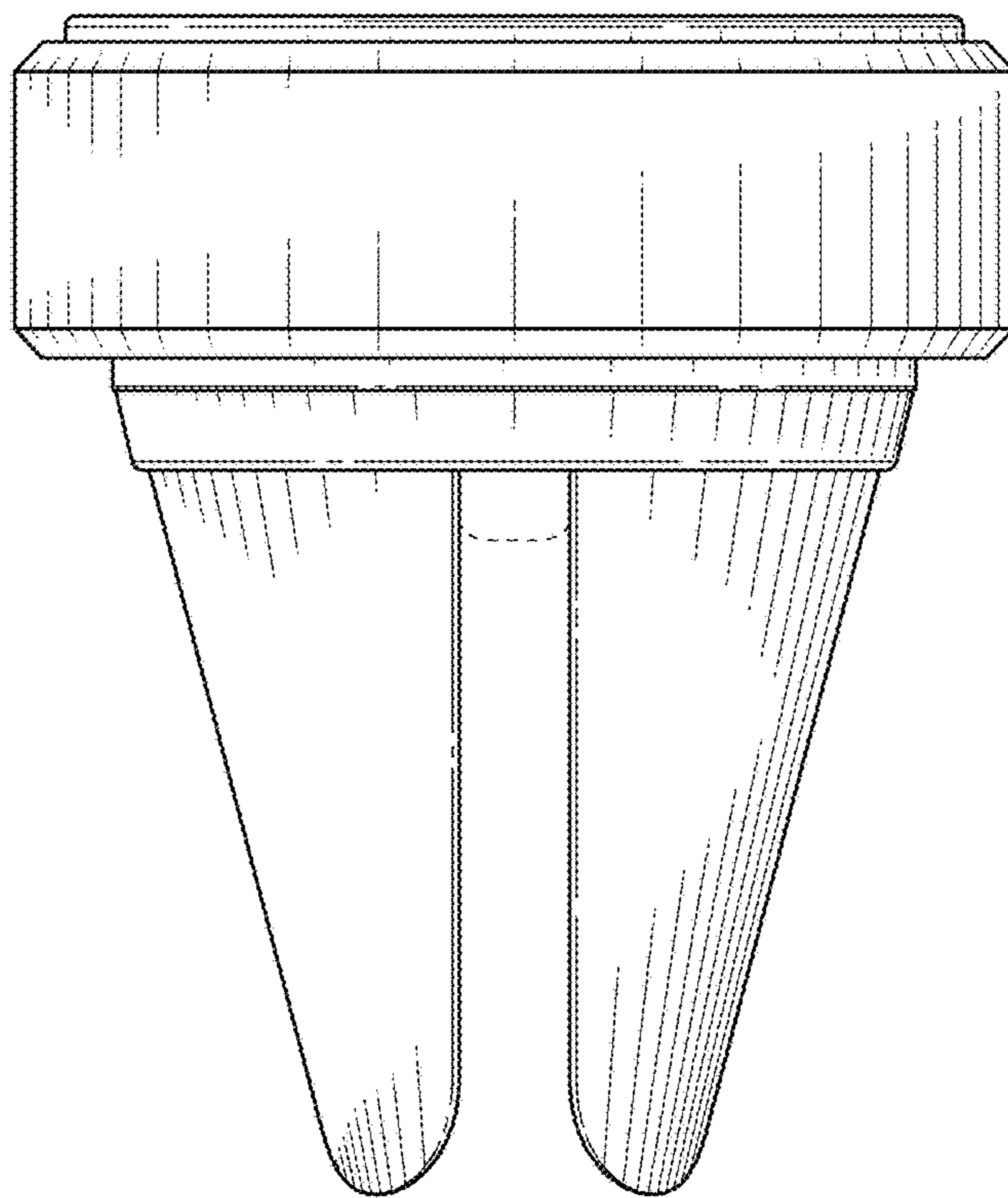


FIG. 7

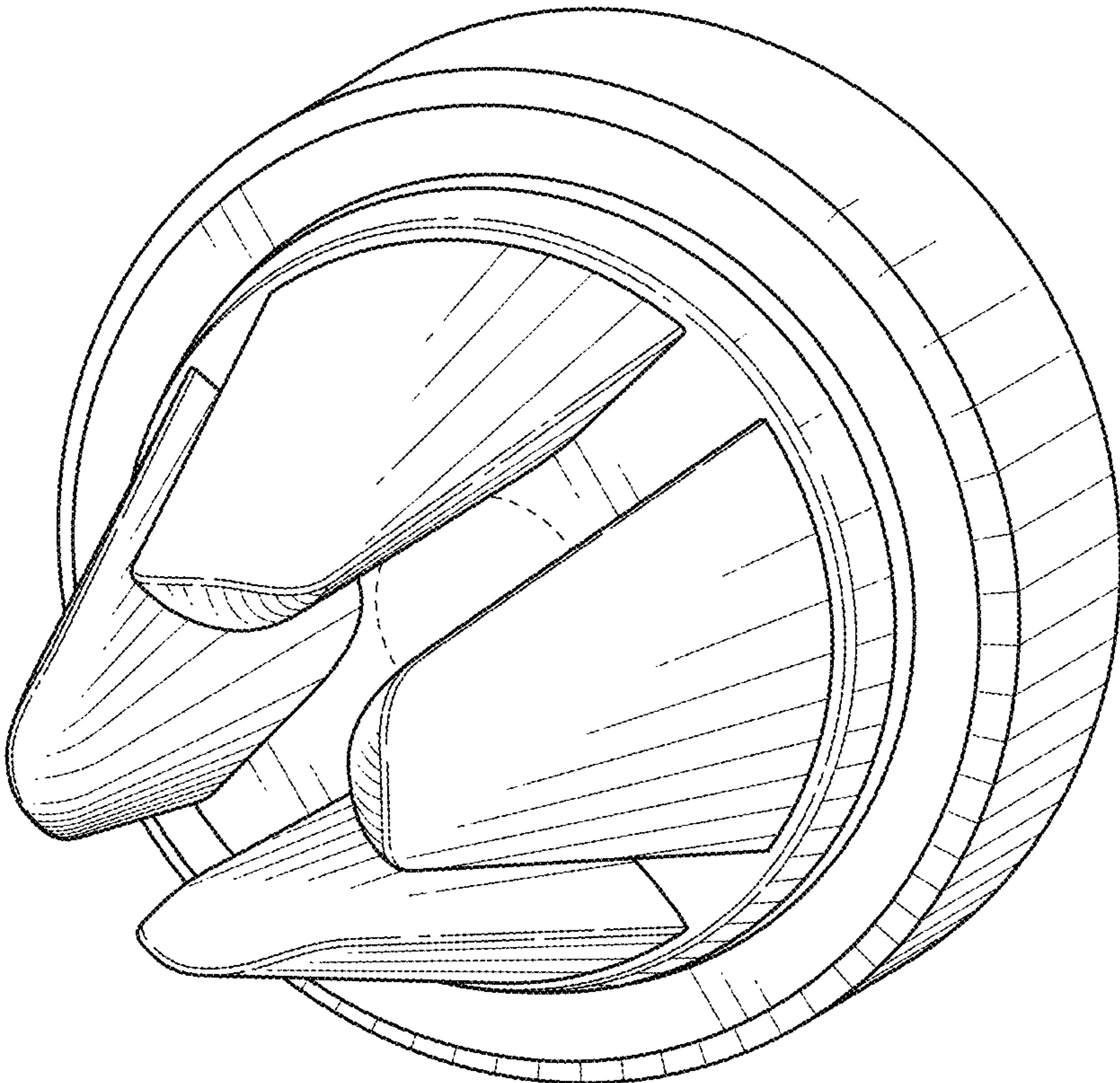


FIG. 8