



US00D802401S

(12) **United States Design Patent** (10) **Patent No.:** **US D802,401 S**
Harris (45) **Date of Patent:** **** Nov. 14, 2017**

(54) **HEADPHONE HANGER**
(71) Applicant: **Victor Harris**, Dubai (AE)
(72) Inventor: **Victor Harris**, Dubai (AE)
(73) Assignee: **NSV GROUP FZCO**, Dubai (AE)
(**) Term: **15 Years**
(21) Appl. No.: **29/575,504**
(22) Filed: **Aug. 25, 2016**
(51) **LOC (10) Cl.** **08-05**
(52) **U.S. Cl.**
USPC **D8/367**
(58) **Field of Classification Search**
USPC D8/367, 354, 349, 394, 372; D3/228;
224/247, 197
CPC F16L 3/13; F16L 3/26; A47G 23/0225;
A47G 25/06; A47G 1/16; A47F 5/0846;
A47F 5/02; H02G 11/003; D06F 55/00;
E04H 17/10; A45F 5/02
See application file for complete search history.

D700,829 S * 3/2014 Nanbu D8/367
D707,110 S * 6/2014 Veilleux D8/367
D709,355 S * 7/2014 Berger D8/356
D712,725 S * 9/2014 Wu D8/367
D719,438 S * 12/2014 Veilleux D8/367
D720,985 S * 1/2015 Veilleux D8/367
D729,046 S * 5/2015 Paik D8/367
D735,554 S * 8/2015 Solberg D8/349
D739,221 S * 9/2015 Sendra-Gonzalez .. F24J 2/5203
D8/349
D745,379 S * 12/2015 Lindsay D8/373
D747,180 S * 1/2016 Burcar D8/367
D756,205 S * 5/2016 New D8/367
D764,901 S * 8/2016 Esparza D8/367
2006/0215868 A1 * 9/2006 Okamura H04R 1/105
381/381
2010/0164432 A1 * 7/2010 Yang H02J 7/0044
320/111
2015/0342331 A1 * 12/2015 Tom A45F 5/021
224/666

(Continued)

Primary Examiner — Cynthia Underwood
(74) *Attorney, Agent, or Firm* — Quinn IP Law

(57) **CLAIM**

I claim the ornamental design for the headphone hanger, as shown and described.

DESCRIPTION

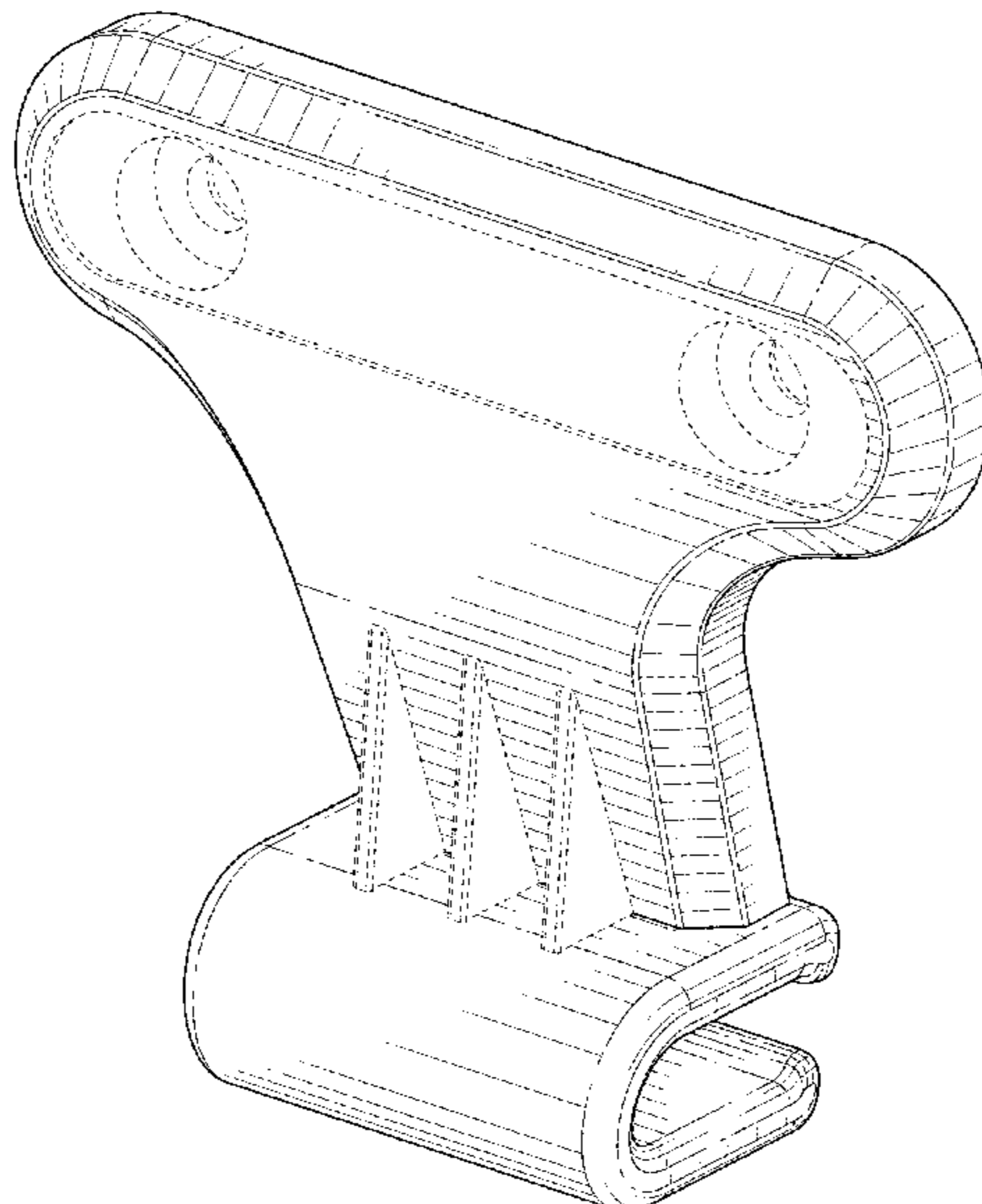
FIG. 1 is a top right rear perspective view of a headphone hanger;
FIG. 2 is a rear view thereof;
FIG. 3 is a front view thereof;
FIG. 4 is a left side view thereof;
FIG. 5 is a right side view thereof;
FIG. 6 is a top view thereof;
FIG. 7 is a bottom view thereof; and,
FIG. 8 is a top right front perspective view thereof.
All broken lines in the drawings illustrate portions of the headphone hanger that form no part of the claimed design.

1 Claim, 6 Drawing Sheets

(56) **References Cited**

U.S. PATENT DOCUMENTS

3,966,157 A * 6/1976 Corral A47G 1/20
248/217.3
D393,795 S * 4/1998 Bernstein D8/373
D601,880 S * 10/2009 Veilleux D8/367
D614,995 S * 5/2010 Pontaoe D11/212
D629,673 S * 12/2010 Shaha D8/367
8,113,476 B2 * 2/2012 Serio A47G 1/20
248/206.5
D661,570 S * 6/2012 Fox D8/356
8,387,217 B1 * 3/2013 Hinds A63B 21/00065
24/134 R
D682,663 S * 5/2013 Evon D8/367
D688,936 S * 9/2013 Chen D8/354
D699,097 S * 2/2014 Chung D8/354



(56)

References Cited

U.S. PATENT DOCUMENTS

2017/0120839 A1* 5/2017 Harris B60R 11/00

* cited by examiner

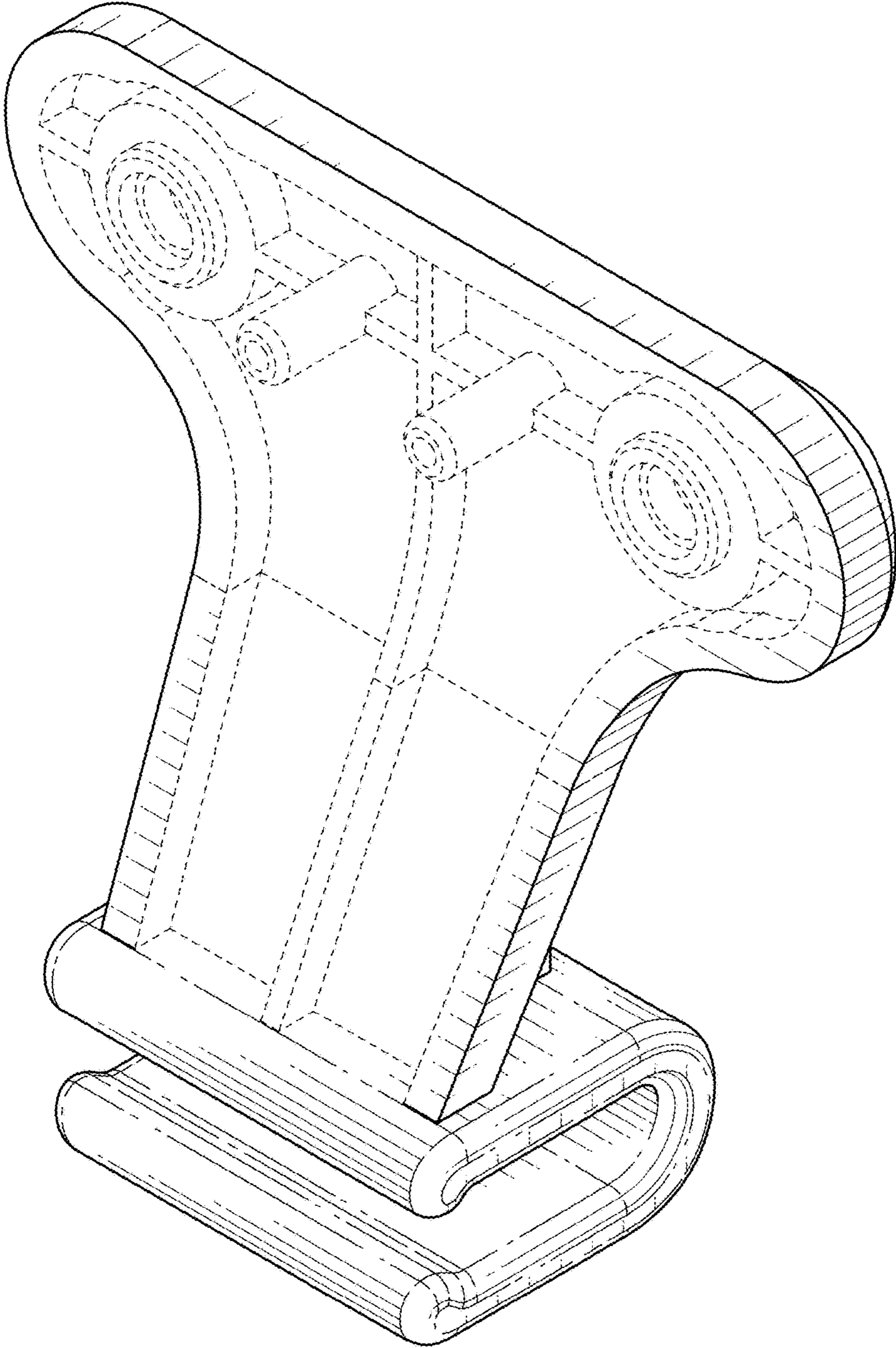


FIG. 1

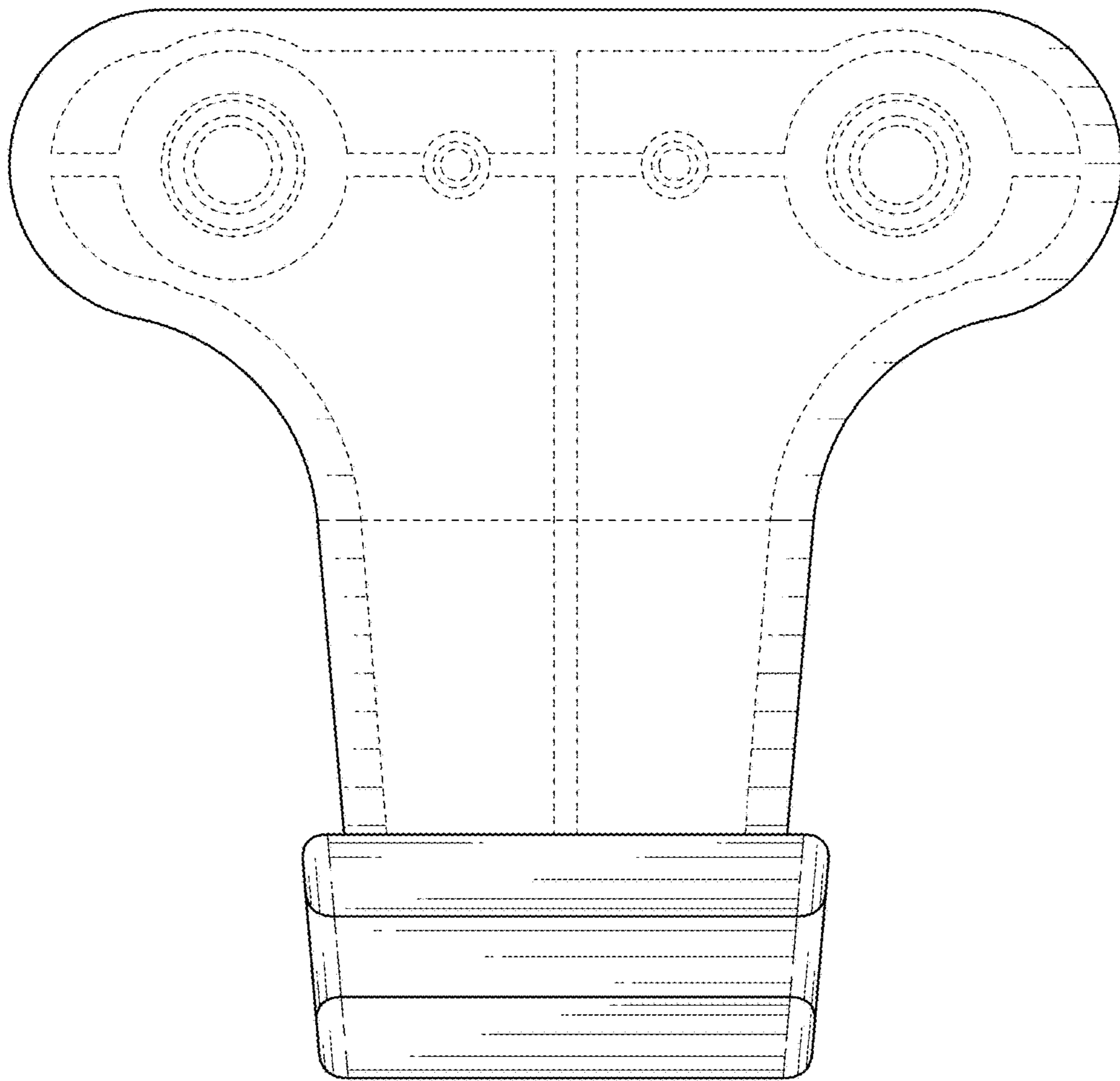


FIG. 2

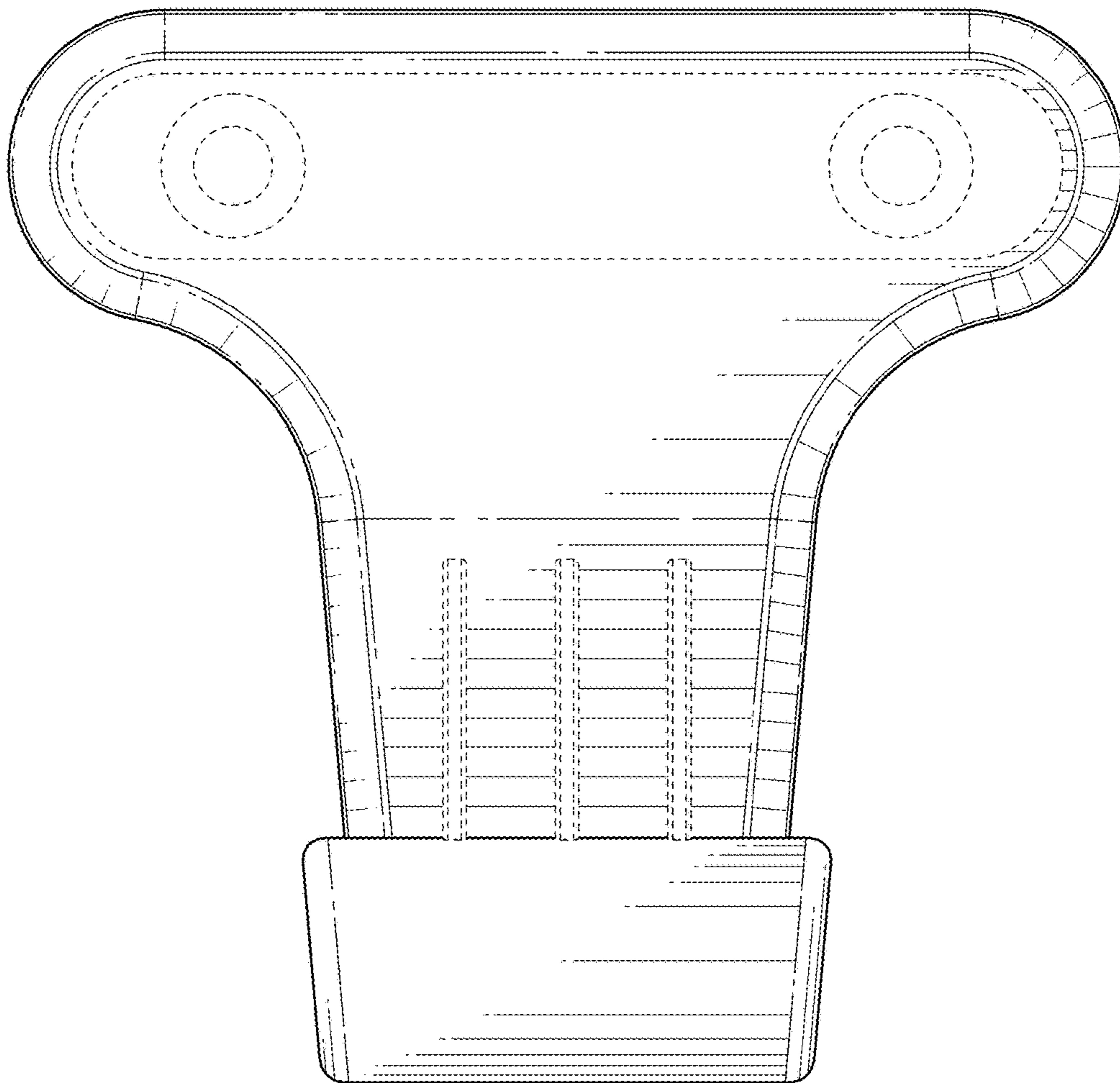


FIG. 3

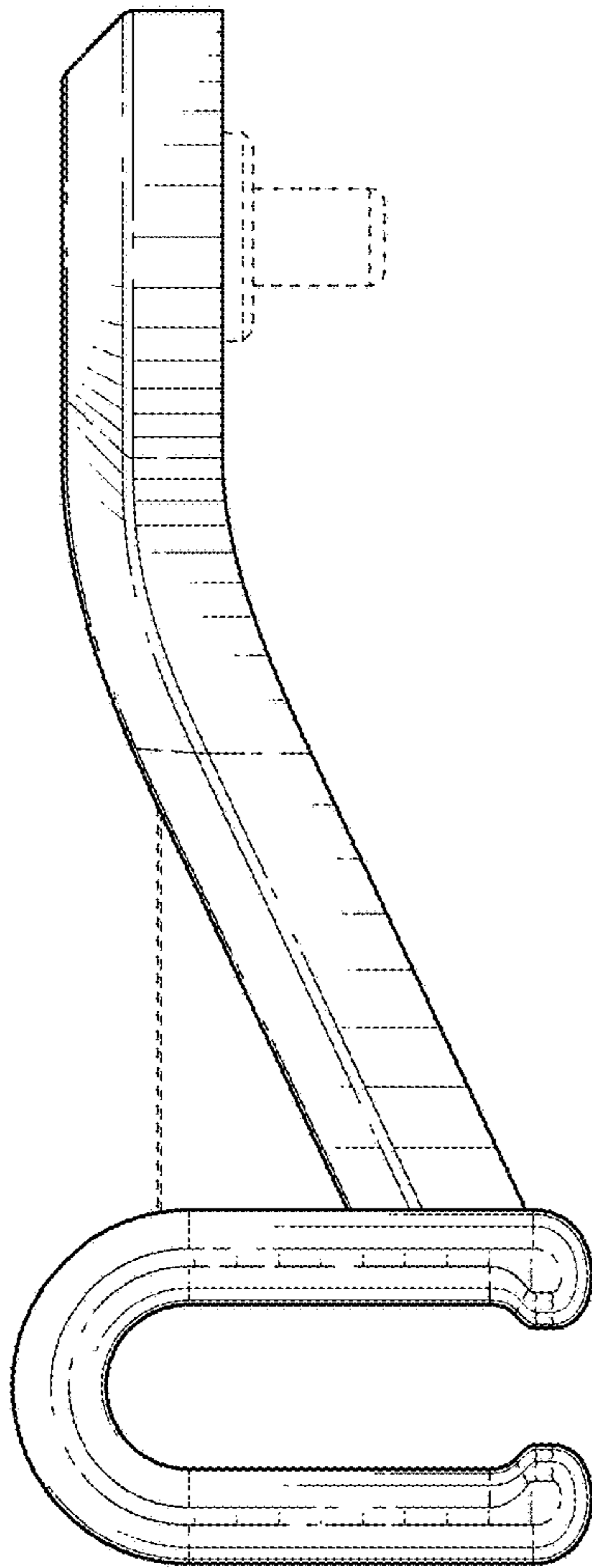


FIG. 4

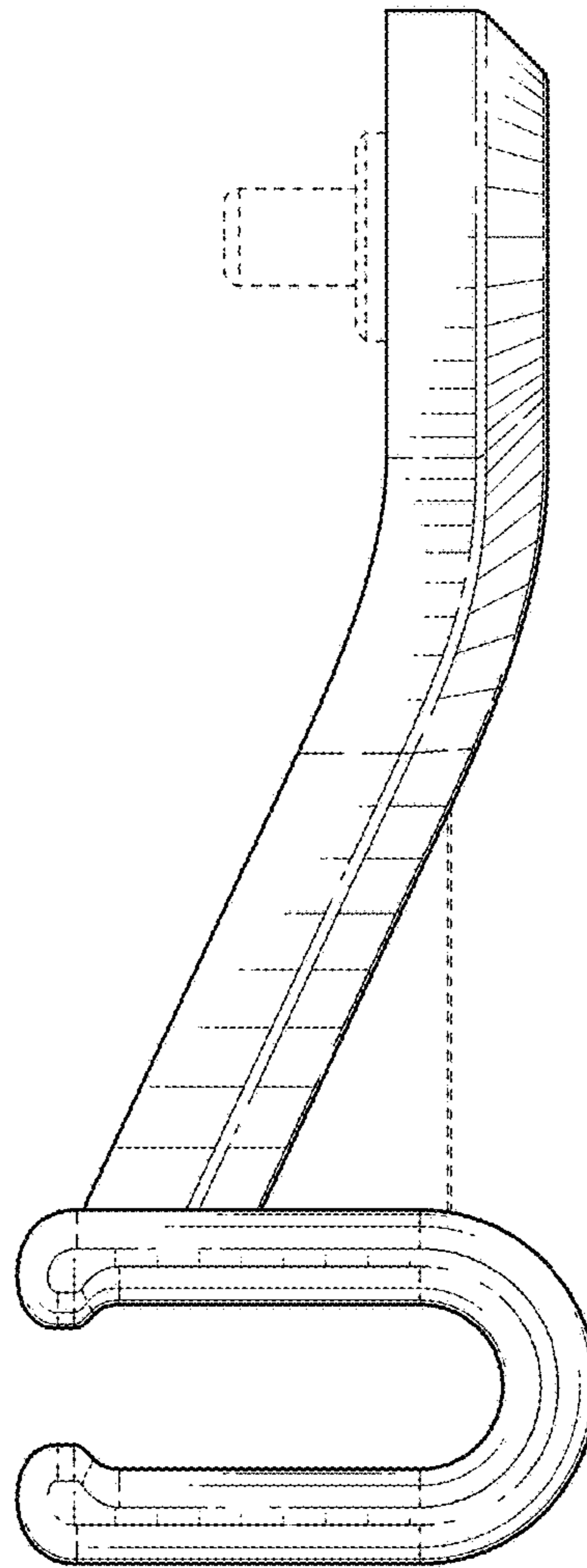


FIG. 5

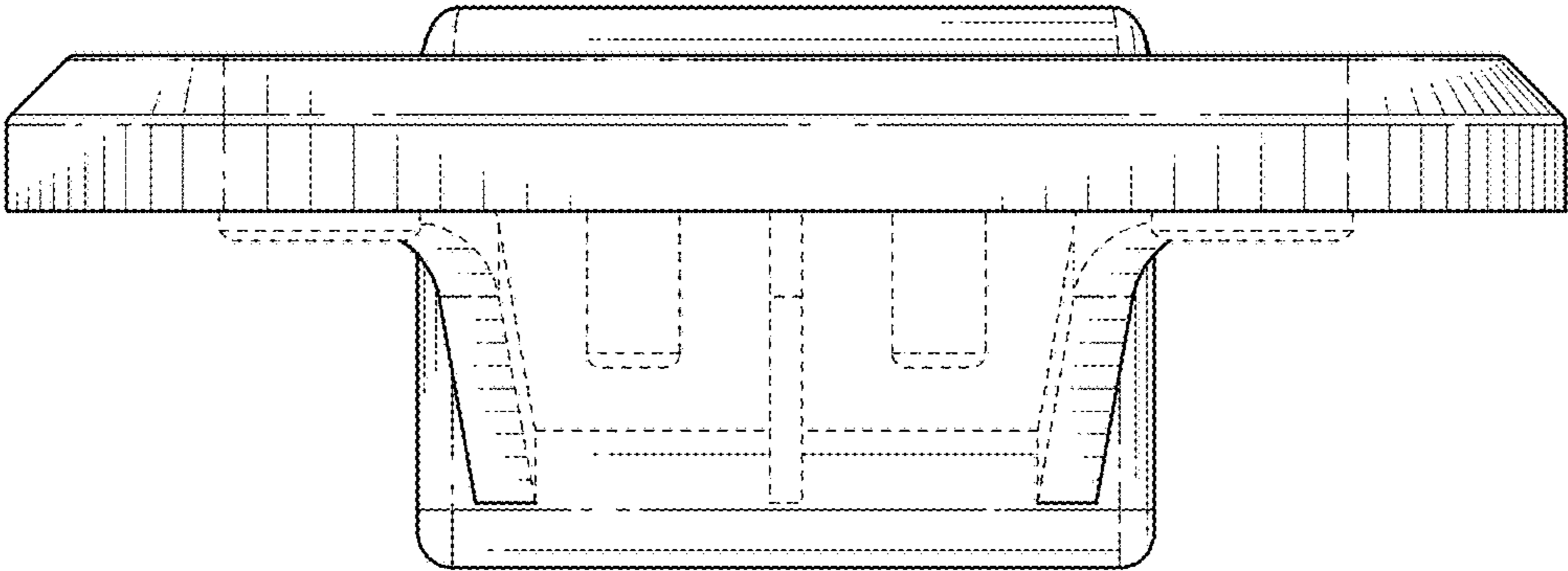


FIG. 6

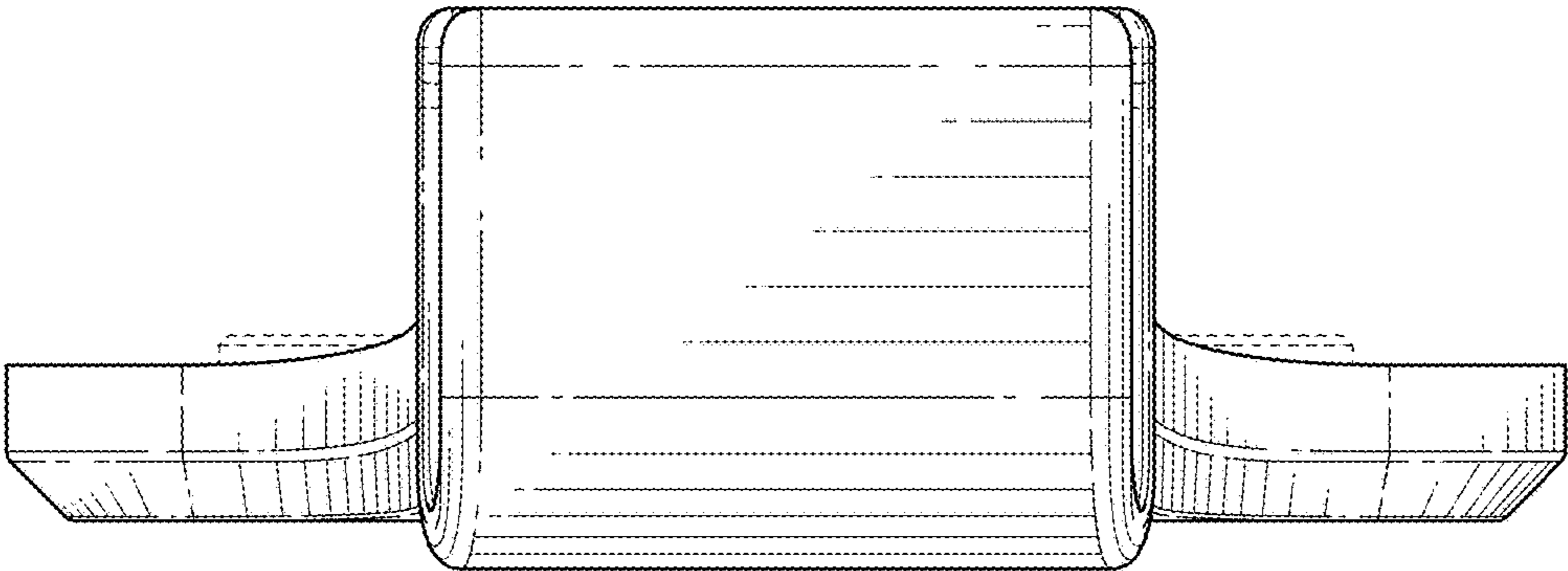


FIG. 7

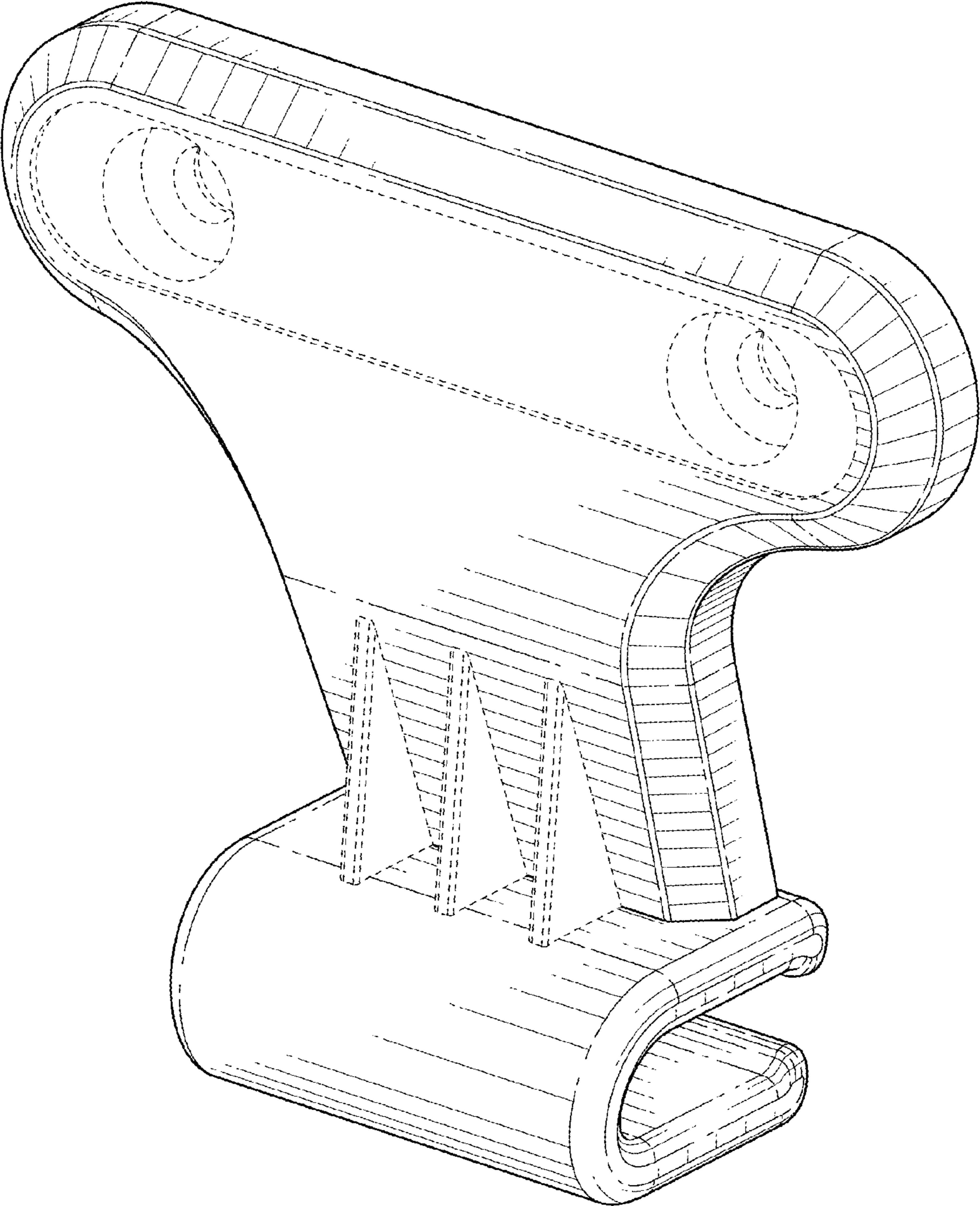


FIG. 8