

US00D802398S

(12) **United States Design Patent** (10) **Patent No.:** **US D802,398 S**  
**Lawson** (45) **Date of Patent:** **\*\* Nov. 14, 2017**

(54) **BRACKET**  
(71) Applicant: **Peak Innovations Inc.**, Richmond (CA)  
(72) Inventor: **Craig Lawson**, Burnaby (CA)  
(73) Assignee: **Peak Innovations Inc.**, Richmond (CA)  
(\*\*) Term: **15 Years**  
(21) Appl. No.: **29/535,638**  
(22) Filed: **Aug. 7, 2015**  
(51) **LOC (10) Cl.** ..... **08-05**  
(52) **U.S. Cl.**  
USPC ..... **D8/354**  
(58) **Field of Classification Search**  
USPC ..... D8/349, 354–355, 373, 380, 382–383,  
D8/394, 396; D13/102, 118, 149, 154,  
D13/155, 184, 199; D25/119, 123, 124,  
D25/125; D21/484, 500, 504  
CPC ..... A45C 13/26; A47F 11/10; A47F 5/0068;  
A61C 15/043; A61C 19/003; A61C 7/14;  
A61C 7/141; A61C 7/285; A61C 7/30;  
F21V 21/02; G01F 15/14; G09F 3/204;  
Y10T 16/4571  
See application file for complete search history.

(56) **References Cited**  
U.S. PATENT DOCUMENTS  
D239,593 S \* 4/1976 Douma ..... D8/354  
D270,476 S \* 9/1983 Black ..... D25/68  
D270,572 S \* 9/1983 Black ..... D25/68  
D275,265 S \* 8/1984 Wallace ..... D8/354  
D281,344 S \* 11/1985 Duke ..... 124/23.1  
4,994,944 A 2/1991 Vernondier

5,107,408 A 4/1992 Vernondier  
6,955,458 B2 10/2005 Cheema  
7,066,618 B1 6/2006 Little  
D575,088 S \* 8/2008 Saulnier ..... D6/547  
D641,924 S \* 7/2011 Daniels ..... D26/138  
D742,969 S \* 11/2015 White ..... D20/43  
D745,380 S \* 12/2015 Williams ..... D8/394  
D747,952 S \* 1/2016 Attanasio ..... D8/349  
2005/0082450 A1\* 4/2005 Barrett ..... A47F 5/0068  
248/229.16  
2017/0040741 A1\* 2/2017 Dreesbeke ..... H01R 13/506  
\* cited by examiner

*Primary Examiner* — Rosemary K Tarca  
*Assistant Examiner* — Nathaniel D. Buckner  
(74) *Attorney, Agent, or Firm* — Smiths IP; Lawrence Chan

(57) **CLAIM**  
The ornamental design for a bracket, as shown and described.

**DESCRIPTION**  
FIG. 1 is a perspective view of the bracket in accordance with the design, viewed from the top;  
FIG. 2 is a perspective view of the bracket shown in FIG. 1, viewed from the bottom;  
FIG. 3 is a top view of the bracket shown in FIG. 1;  
FIG. 4 is a front view of the bracket shown in FIG. 1;  
FIG. 5 is a bottom view of the bracket shown in FIG. 1;  
FIG. 6 is a left side view of the bracket shown in FIG. 1;  
FIG. 7 is a right side view of the bracket shown in FIG. 1;  
and,  
FIG. 8 is a rear view of the bracket shown in FIG. 1.

**1 Claim, 2 Drawing Sheets**

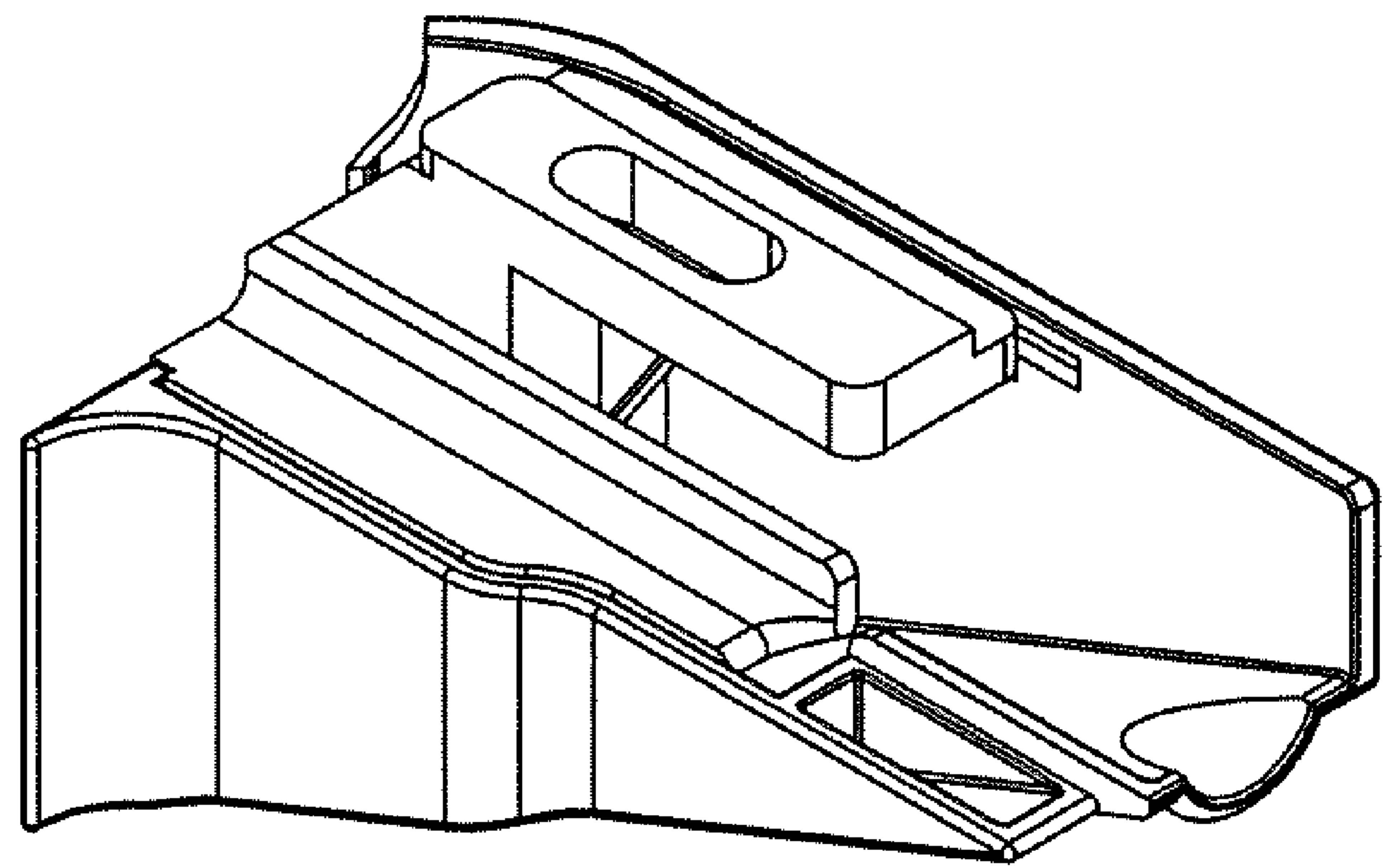


Fig. 1

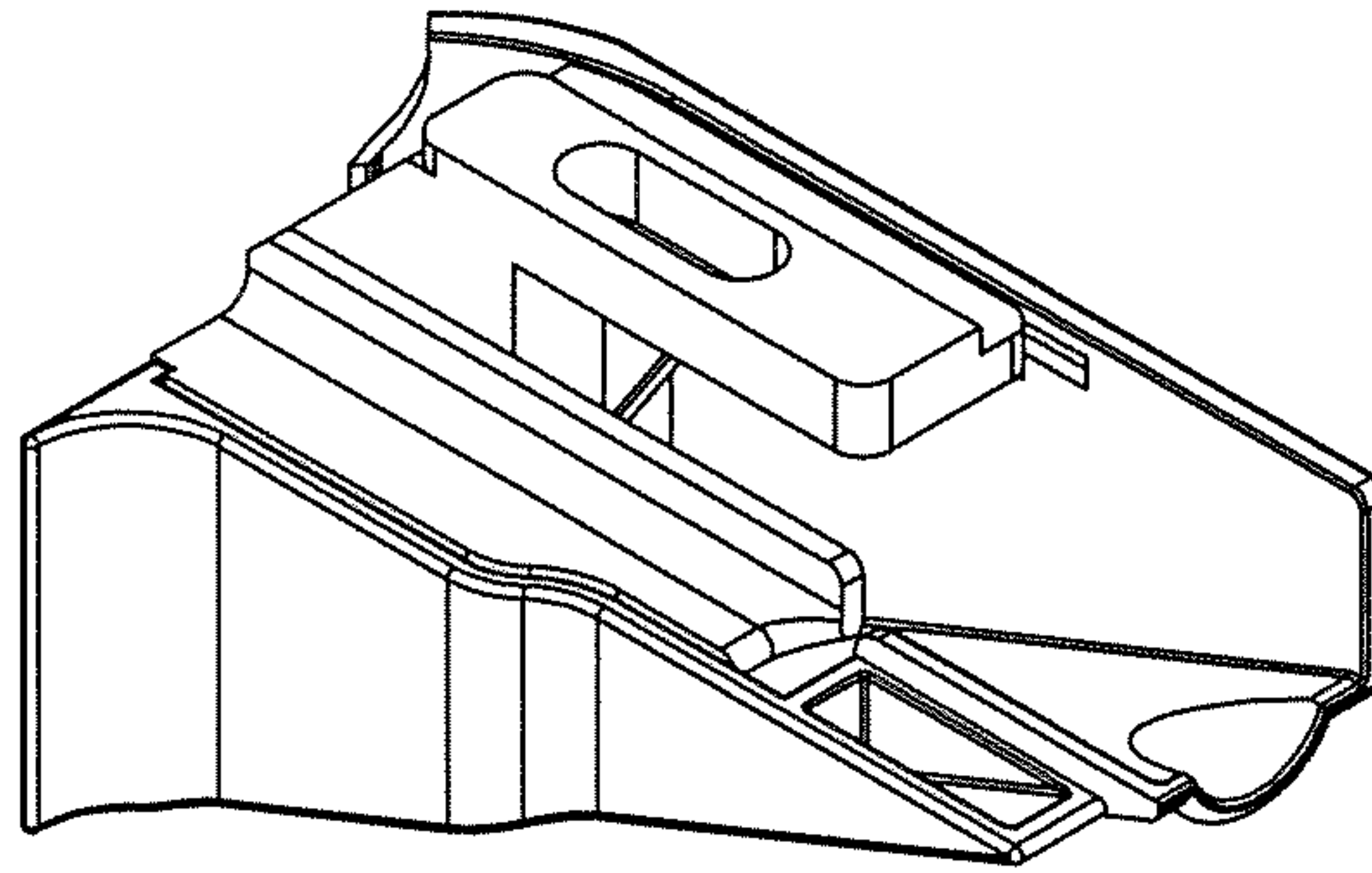


Fig. 2

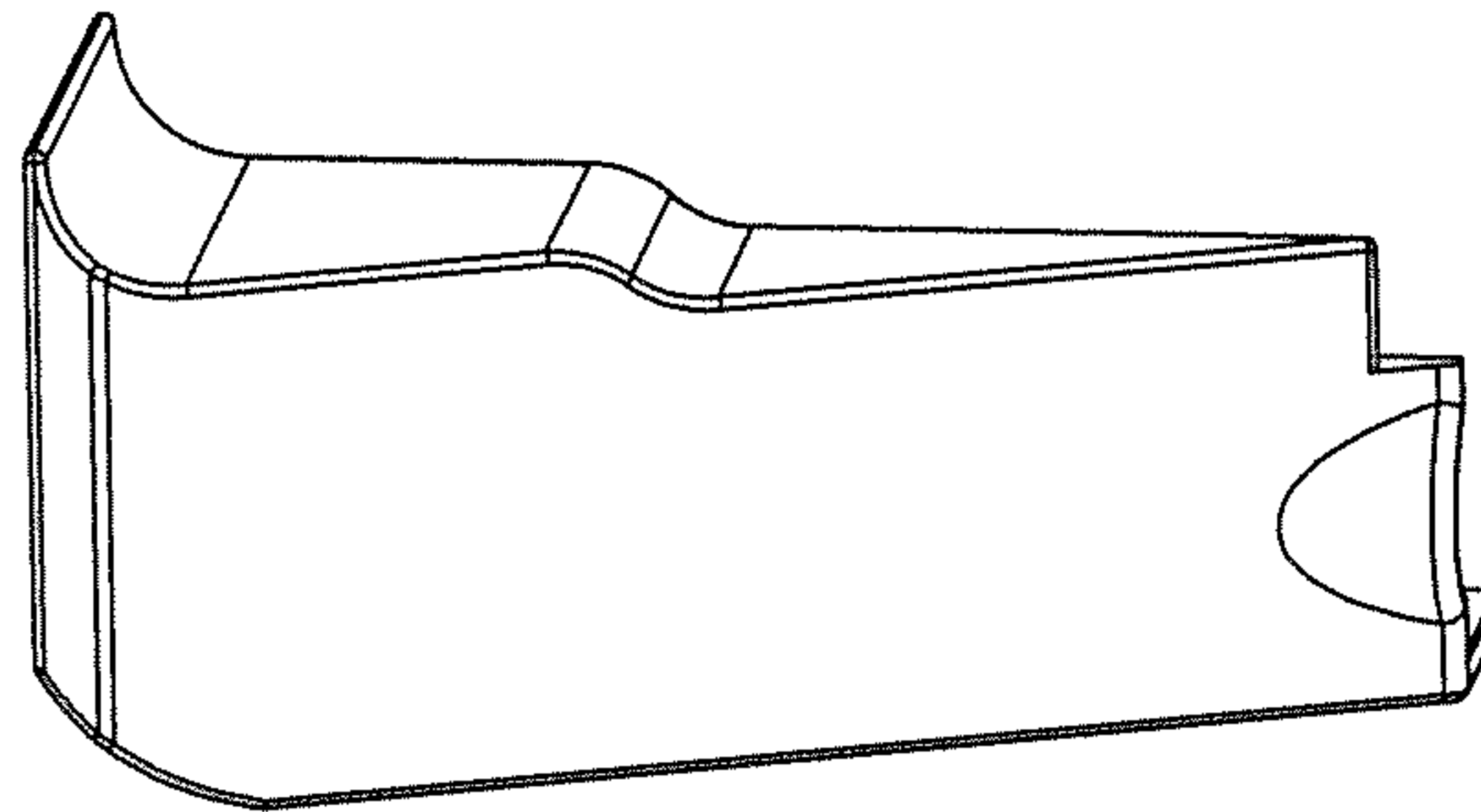


Fig. 3

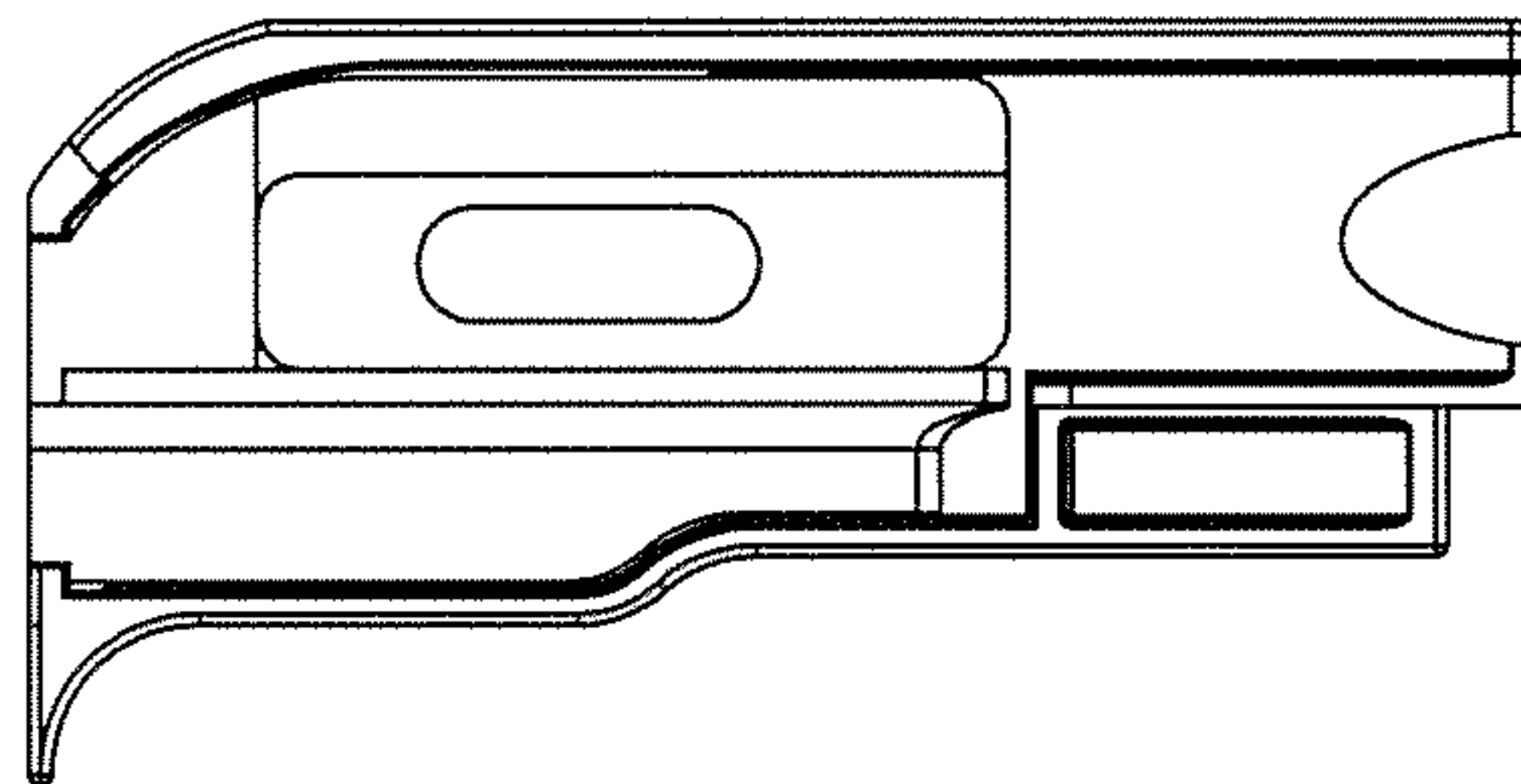
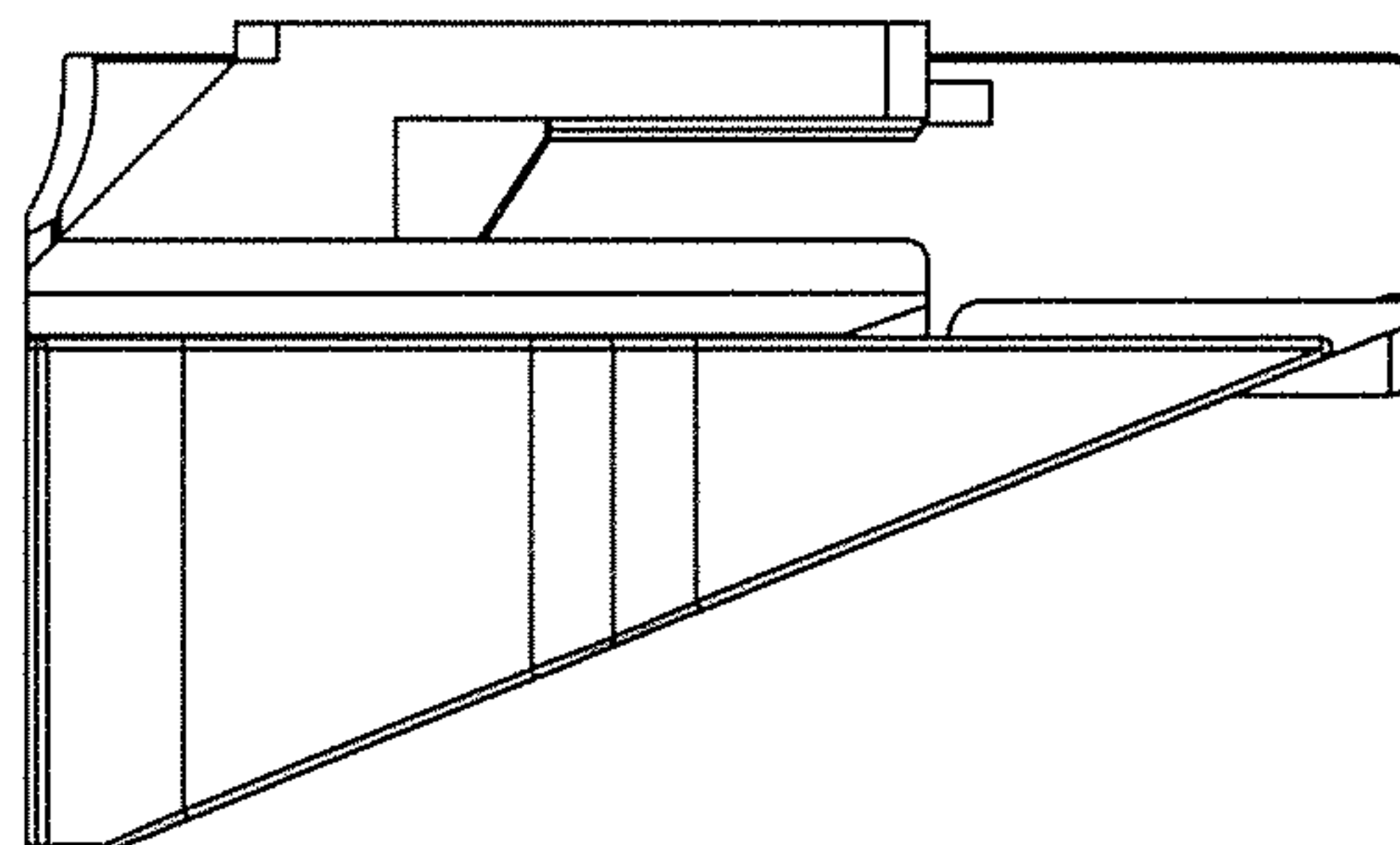


Fig. 4



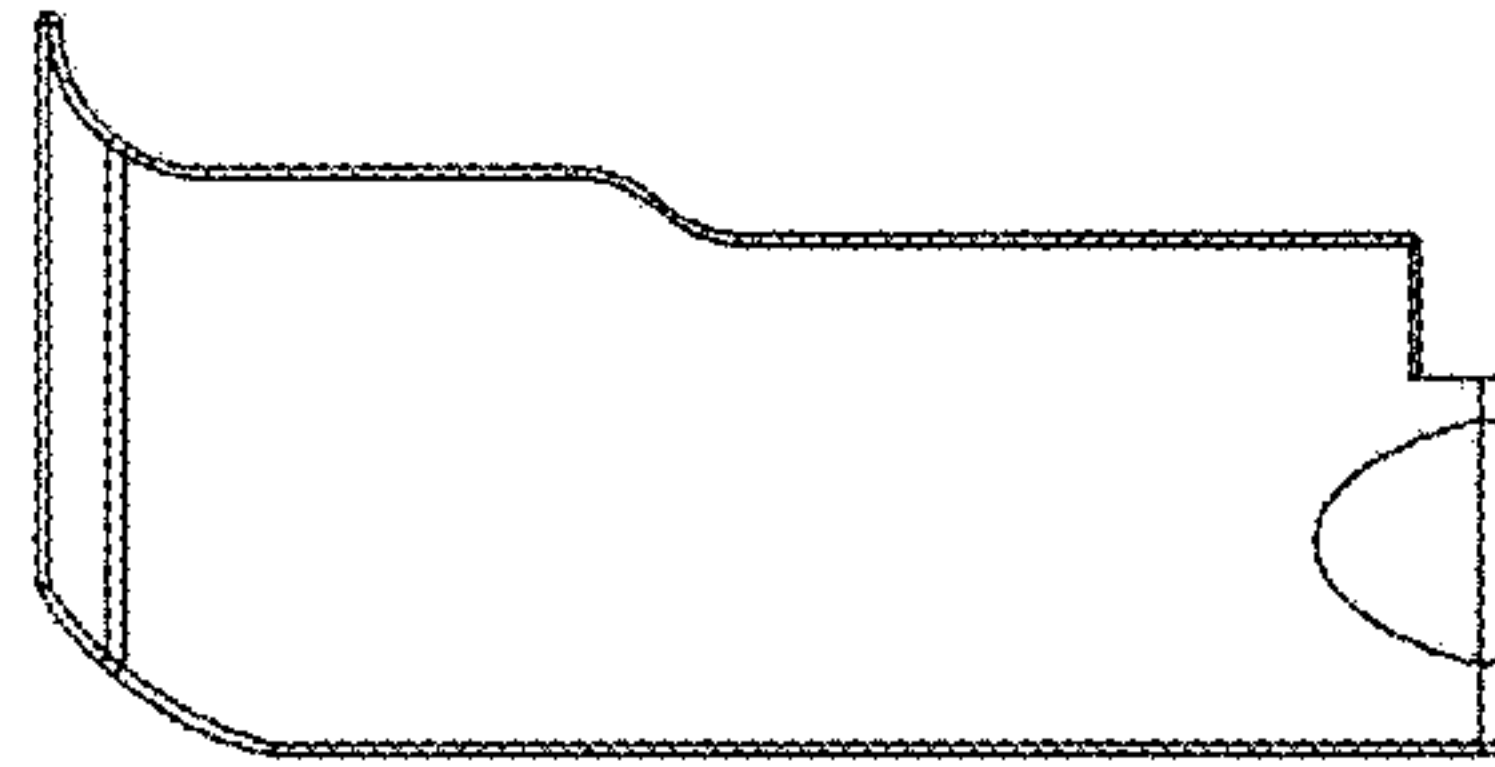


Fig. 5

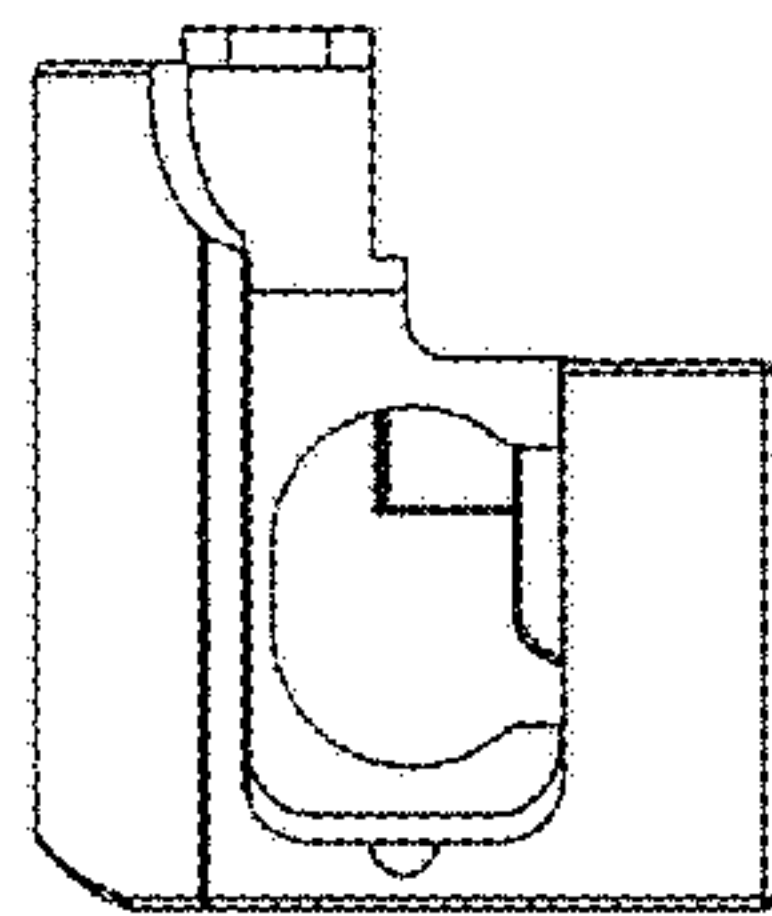


Fig. 6

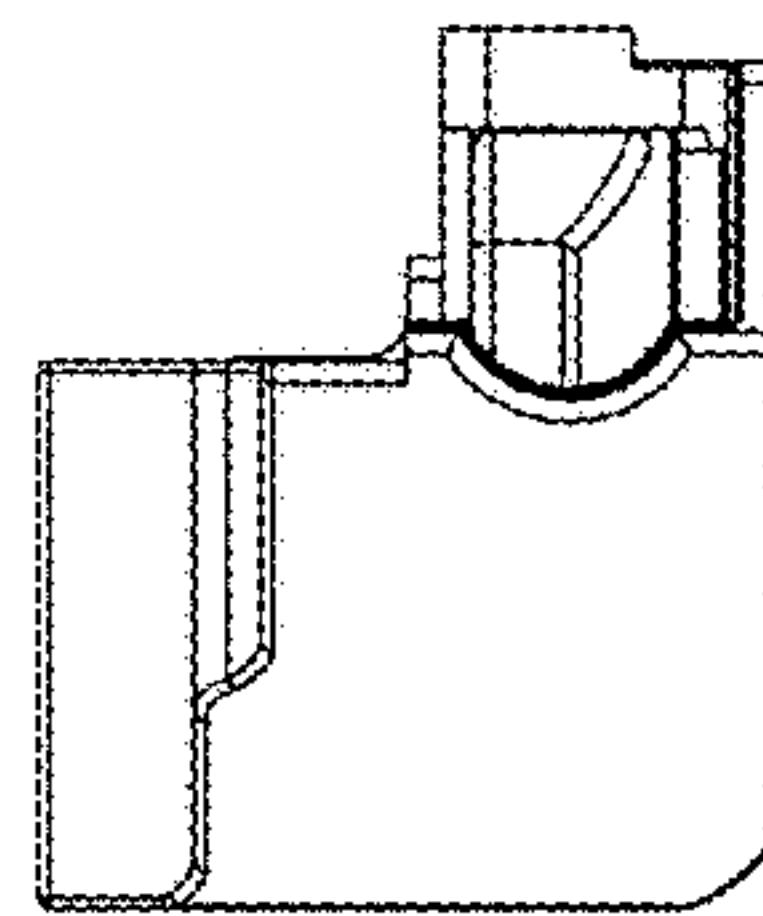


Fig. 7

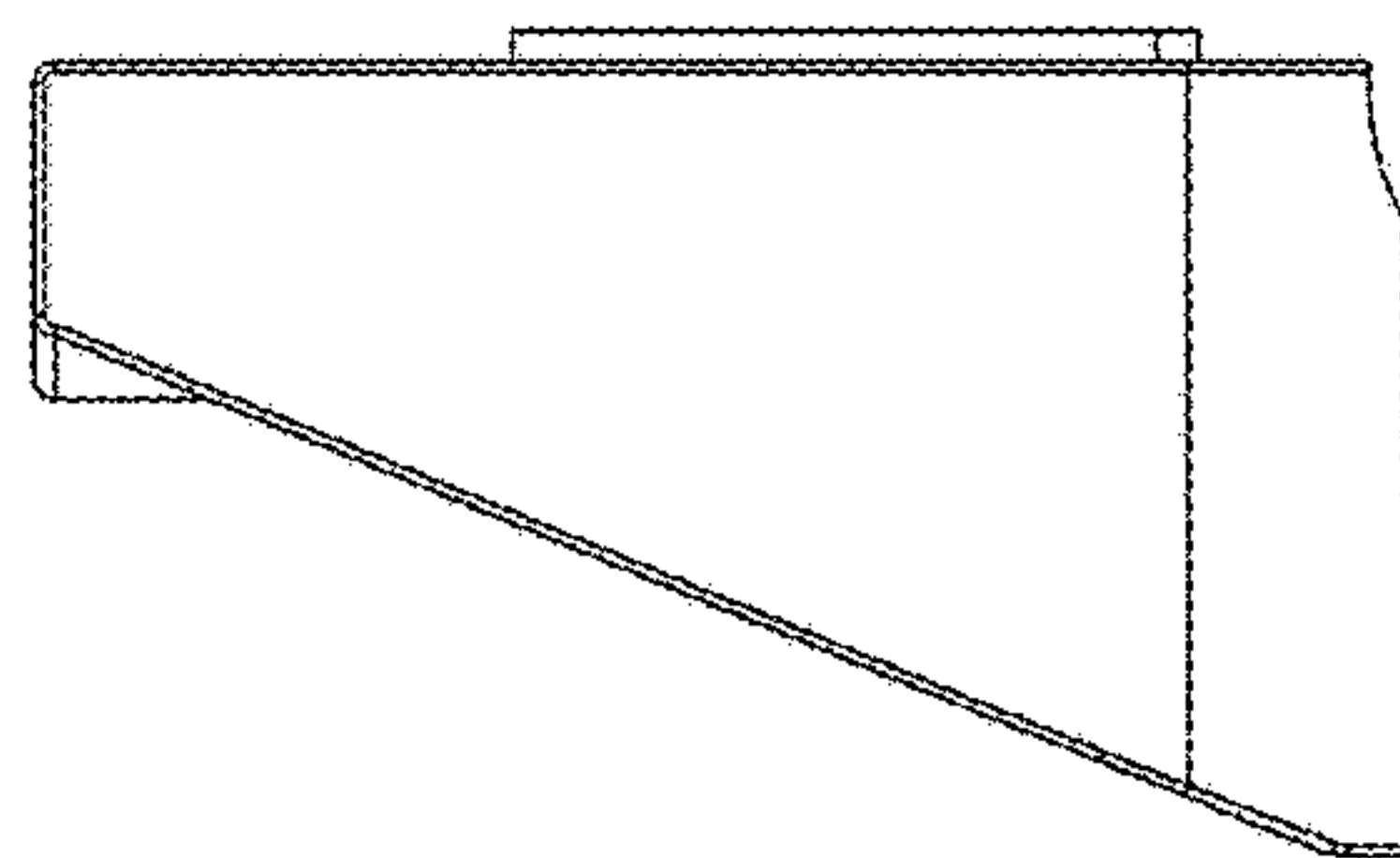


Fig. 8