



US00D802397S

(12) **United States Design Patent** (10) **Patent No.:** **US D802,397 S**
Schneider (45) **Date of Patent:** **** Nov. 14, 2017**

(54) **ELECTRONIC DOOR LOCK**
(71) Applicant: **Spectrum Brands, Inc.**, Middleton, WI (US)
(72) Inventor: **Elliott Schneider**, Foothill Ranch, CA (US)
(73) Assignee: **Spectrum Brands, Inc.**, Middleton, WI (US)

D552,968 S 10/2007 Roberts et al.
D553,953 S * 10/2007 Roberts D8/330
D579,312 S 10/2008 Veltz

(Continued)

Primary Examiner — Prabhakar G Deshmukh
(74) *Attorney, Agent, or Firm* — Banner & Witcoff, Ltd.

(57) **CLAIM**

The ornamental design for an electronic door lock, as shown and described.

DESCRIPTION

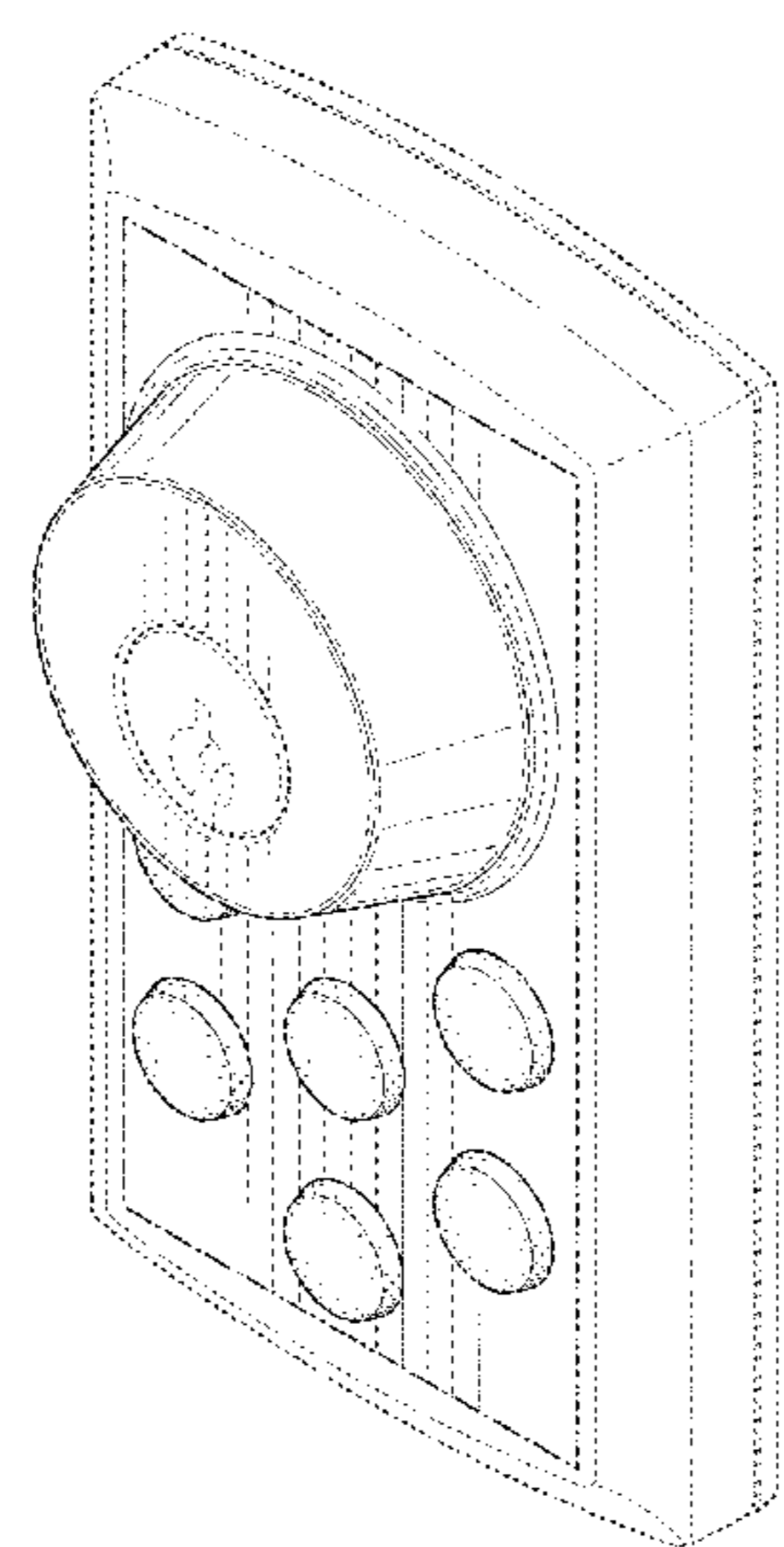
(**) Term: **15 Years**
(21) Appl. No.: **29/560,230**
(22) Filed: **Apr. 4, 2016**
(51) **LOC (10) Cl.** **08-07**
(52) **U.S. Cl.**
USPC **D8/331**
(58) **Field of Classification Search**
USPC D8/330, 331, 334, 300, 301, 350; 70/14,
70/20-22, 57, 57.1, 284-286, 314,
70/DIG. 44, 266, 277, 271
CPC E05B 9/00; E05B 9/02; E05B 2009/006;
E05B 49/00
See application file for complete search history.

FIG. 1 is a front perspective view of an electronic door lock showing my new design;
FIG. 2 is a front view thereof;
FIG. 3 is a right side view thereof;
FIG. 4 is a left side view thereof;
FIG. 5 is a top view thereof;
FIG. 6 is a bottom view thereof;
FIG. 7 is a front perspective view of the electronic door lock showing an alternative embodiment of my new design;
FIG. 8 is a front view thereof;
FIG. 9 is a right side view thereof;
FIG. 10 is a left side view thereof;
FIG. 11 is a top view thereof;
FIG. 12 is a bottom view thereof;
FIG. 13 is a front perspective view of the electronic door lock showing another alternative embodiment of my new design;
FIG. 14 is a front view thereof;
FIG. 15 is a right side view thereof;
FIG. 16 is a left side view thereof;
FIG. 17 is a top view thereof; and,
FIG. 18 is a bottom view thereof.

The uneven rectangular broken line surrounding the shaded region of the electronic door lock represents an unclaimed peripheral boundary of the design. The broken line showing of the key region and the remainder of the electronic door lock represents unclaimed subject matter and forms no part of the claimed design.

(56) **References Cited**
U.S. PATENT DOCUMENTS
D285,668 S 9/1986 Tanaka et al.
4,899,562 A * 2/1990 Gartner G07C 9/0069
70/277
5,113,675 A * 5/1992 Uyeda E05B 13/10
292/358
5,136,870 A * 8/1992 Gartner G07C 9/0069
70/277
D365,976 S 1/1996 Chiu
D401,565 S 11/1998 Smith et al.
D436,933 S 1/2001 Armstrong
D552,964 S 10/2007 Bogdanov et al.

1 Claim, 12 Drawing Sheets



(56)

References Cited

U.S. PATENT DOCUMENTS

D581,246 S *	11/2008	Conway	D8/330	D696,569 S	12/2013	Luo	
D588,439 S	3/2009	Lin et al.		D698,222 S	1/2014	Guo	
7,698,917 B2 *	4/2010	Lie-Nielsen	E05B 47/0676 292/142	D699,096 S	2/2014	Chan et al.	
D630,929 S	1/2011	Downey		D705,037 S	5/2014	Yang et al.	
D637,472 S	5/2011	Singtoroj et al.		D720,598 S	1/2015	Dayanikli et al.	
D637,474 S	5/2011	Schneider et al.		D722,260 S	2/2015	Warmenhoven et al.	
D666,074 S	8/2012	Genord et al.		D729,610 S	5/2015	Gao et al.	
D677,145 S	3/2013	Hsieh et al.		D732,372 S	6/2015	Gao et al.	
D682,656 S *	5/2013	Cramer	D8/331	D733,522 S	7/2015	Kim et al.	
D682,657 S	5/2013	Roberts, III		D735,016 S	7/2015	Kim et al.	
D682,658 S	5/2013	Cramer et al.		D736,590 S	8/2015	Roberts, III et al.	
D684,842 S	6/2013	Chan et al.		D736,591 S	8/2015	Groleski et al.	
8,490,445 B2 *	7/2013	Chiou	E05B 47/0012 70/224	D737,117 S *	8/2015	Chan	D8/330
D687,786 S	8/2013	Chin et al.		D737,118 S	8/2015	Chan et al.	
D687,787 S	8/2013	Chin et al.		D737,657 S	9/2015	Nadgouda	
D688,213 S	8/2013	Huang et al.		D737,661 S	9/2015	Chan	
D688,215 S	8/2013	Yu et al.		D738,186 S	9/2015	Nadgouda	
D688,635 S	8/2013	Ni et al.		D738,700 S	9/2015	Yan et al.	
				D743,349 S	11/2015	Leeland et al.	
				D746,165 S	12/2015	Li	
				D747,640 S	1/2016	Scalisi	
				D749,932 S	2/2016	Hollman	
				D773,281 S *	12/2016	Meyerhoffer	D8/331

* cited by examiner

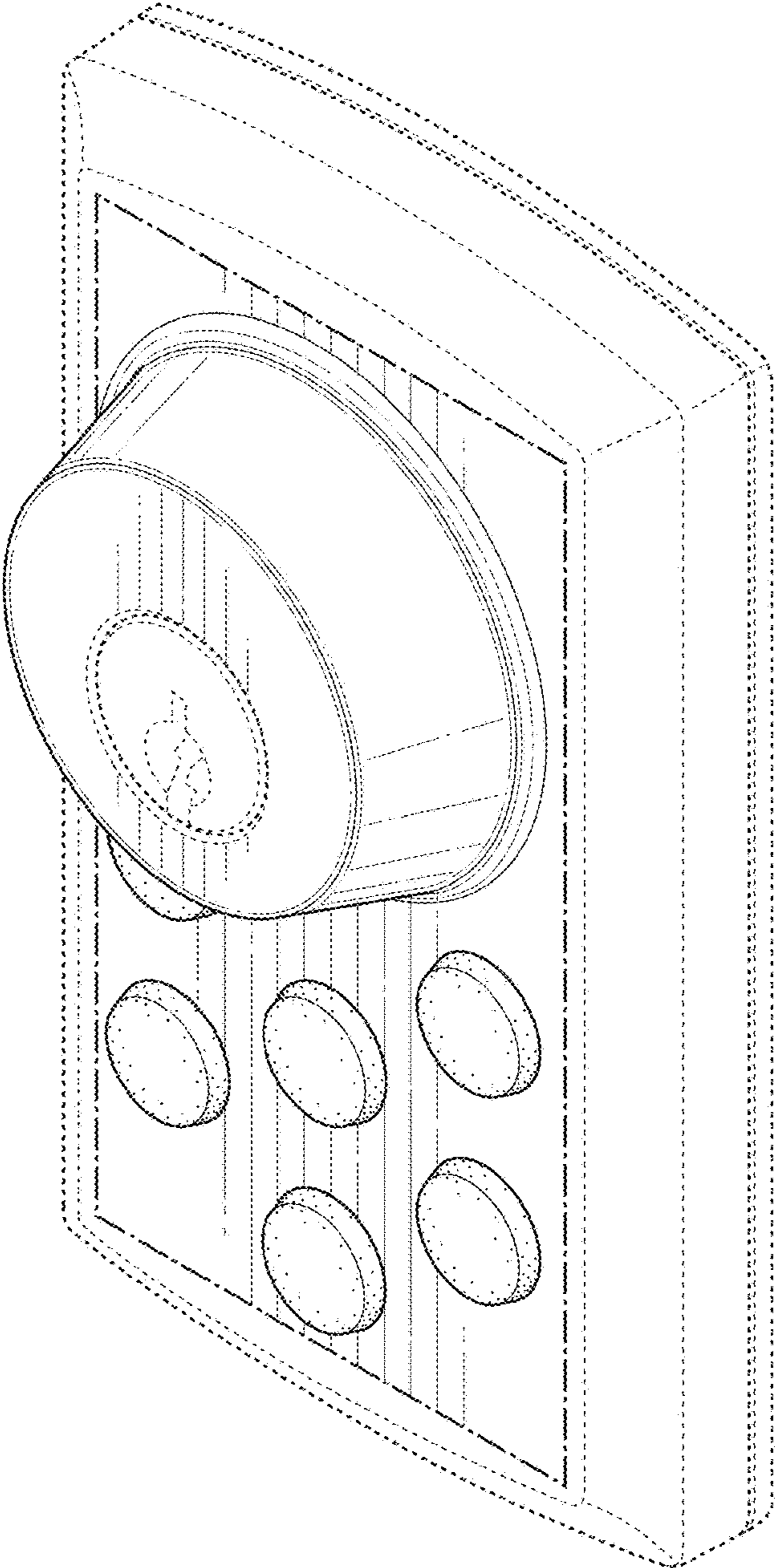


FIG. 1

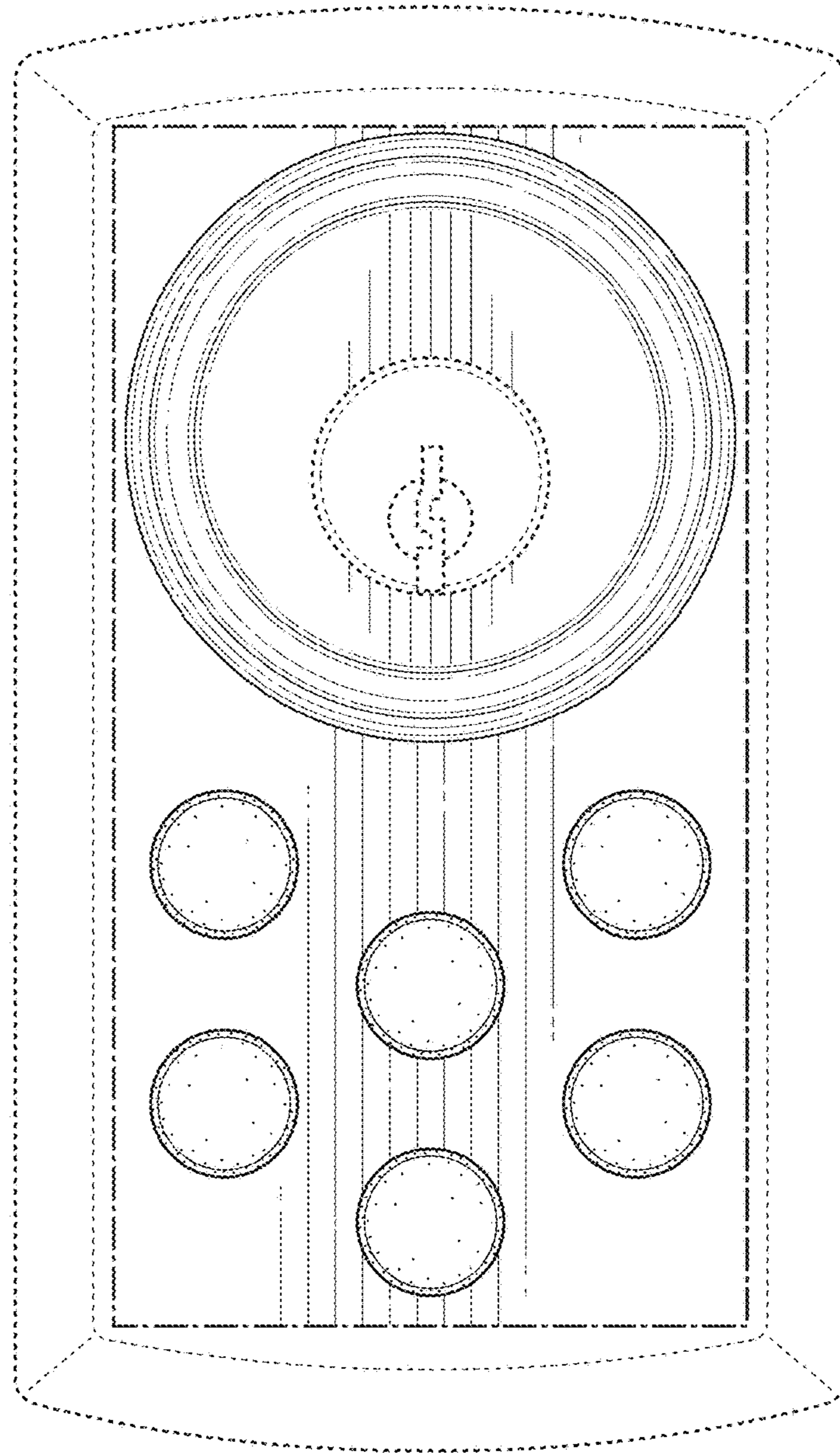


FIG. 2

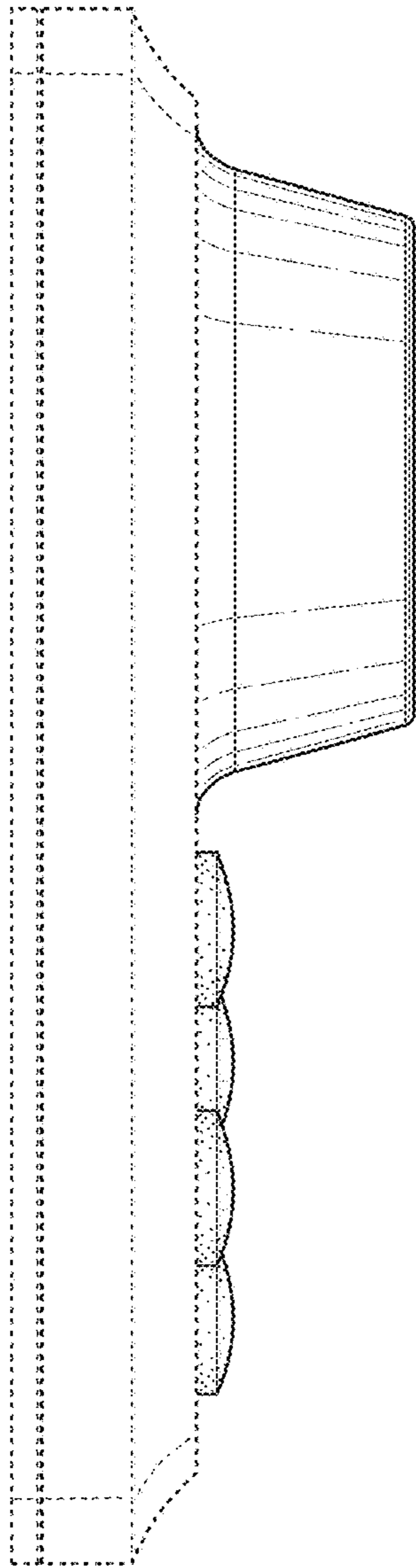


FIG. 3

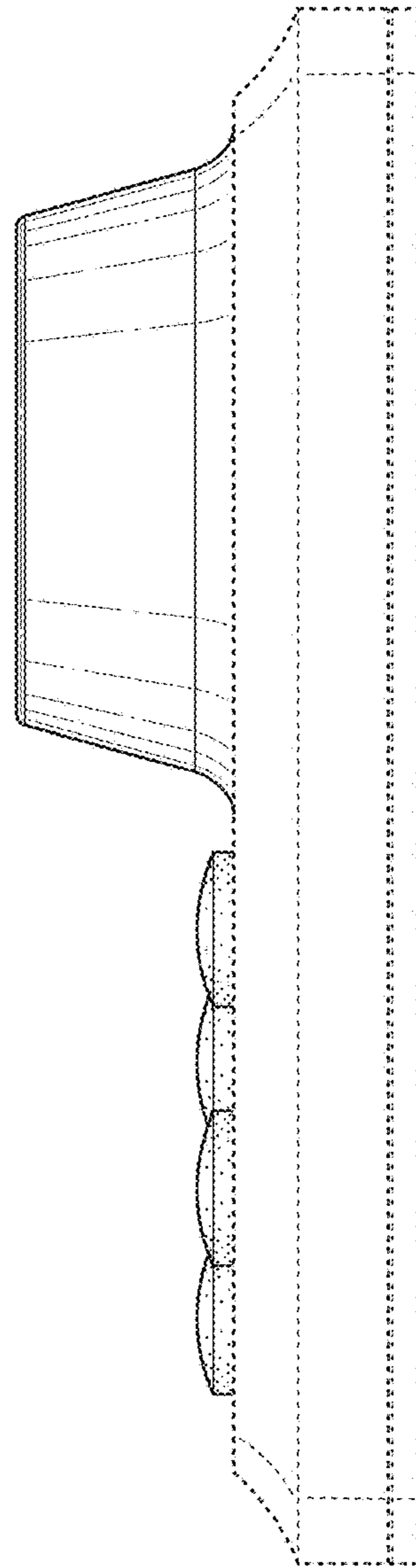


FIG. 4

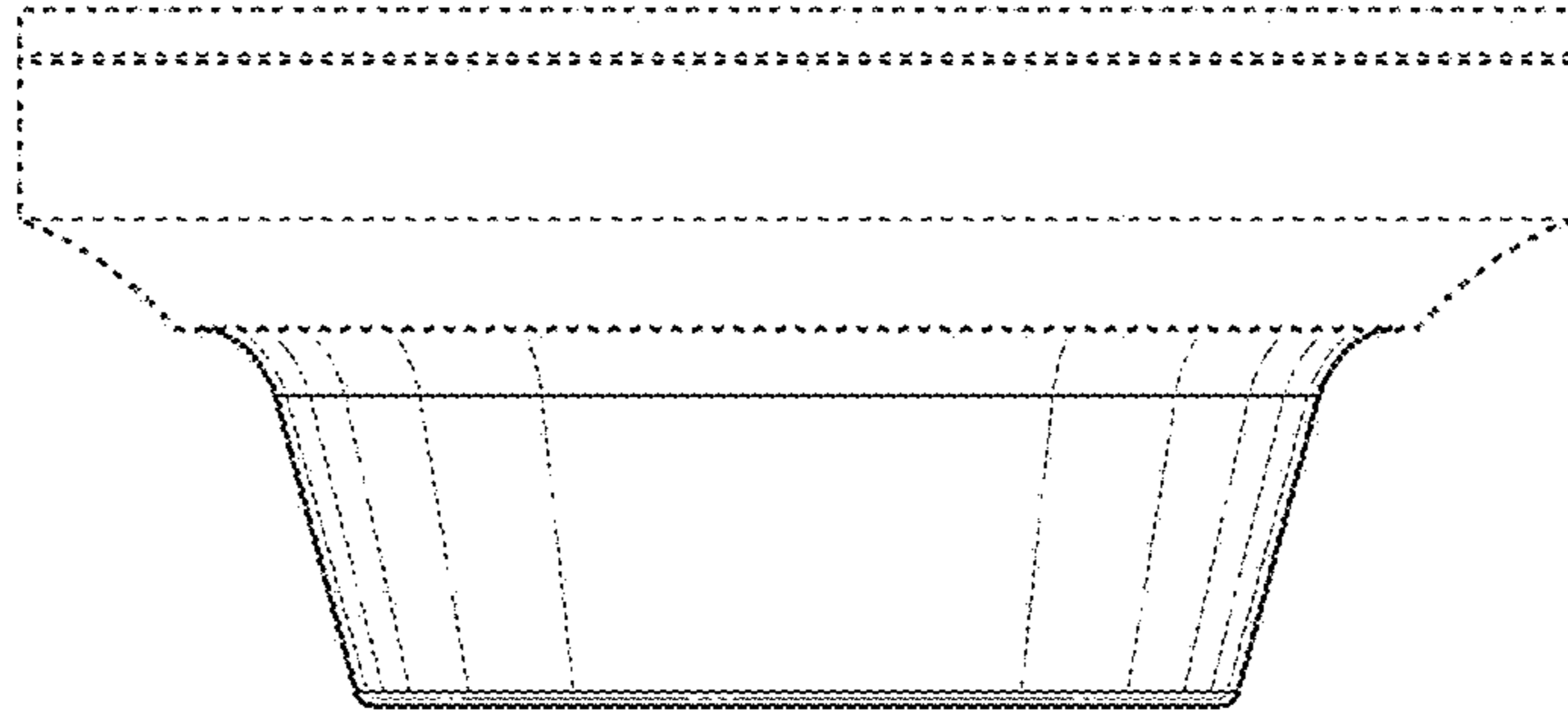


FIG. 5

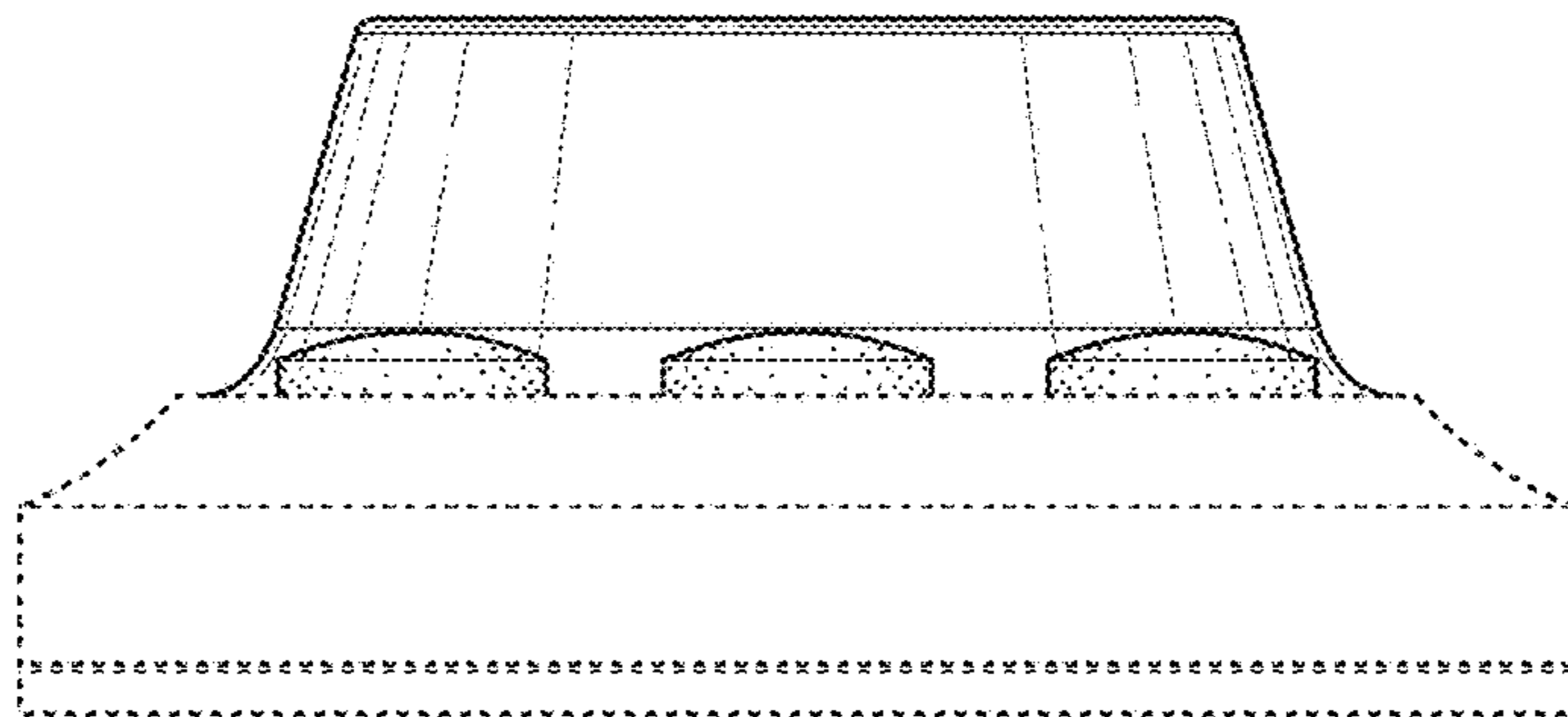


FIG. 6

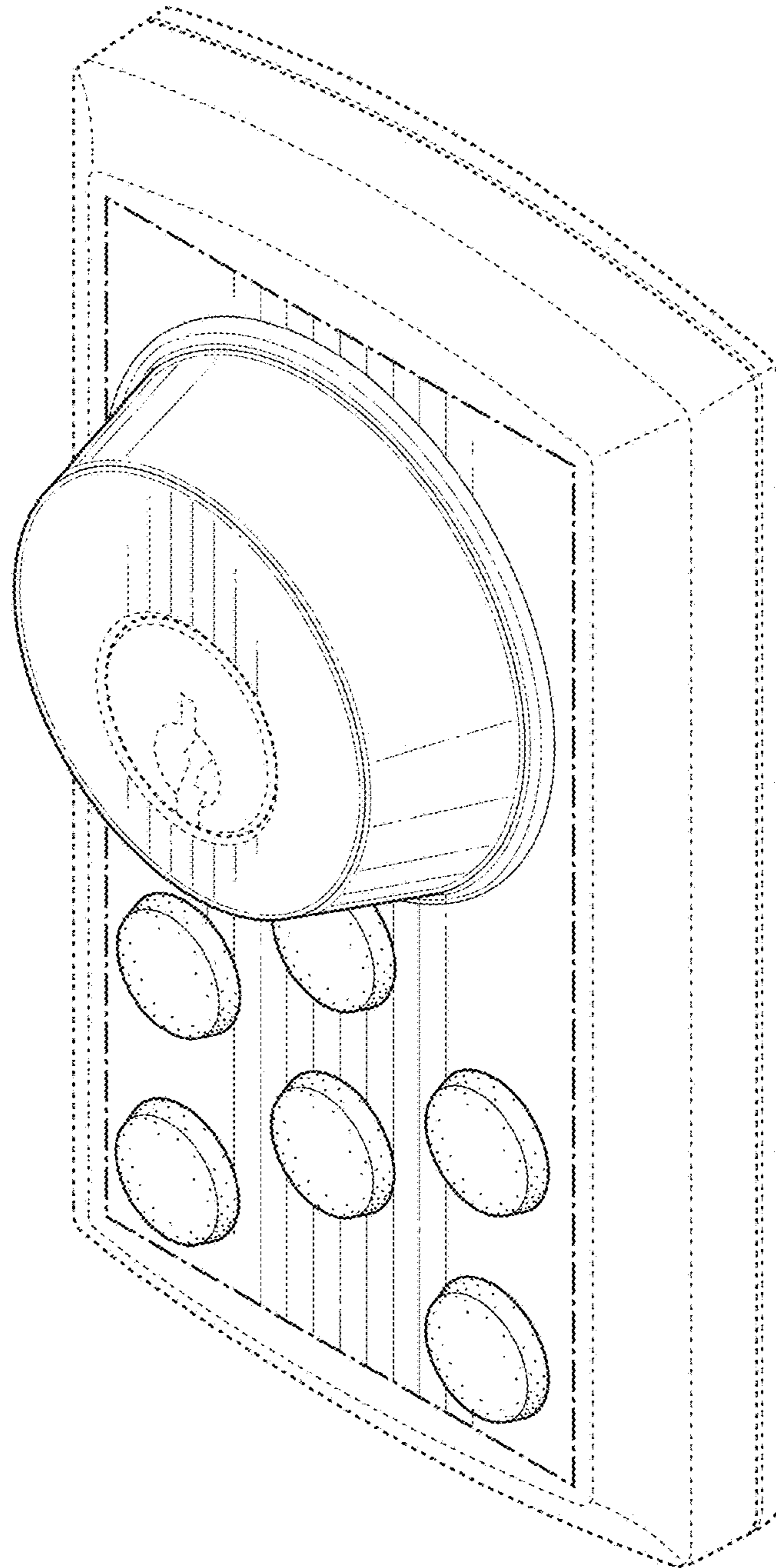


FIG. 7

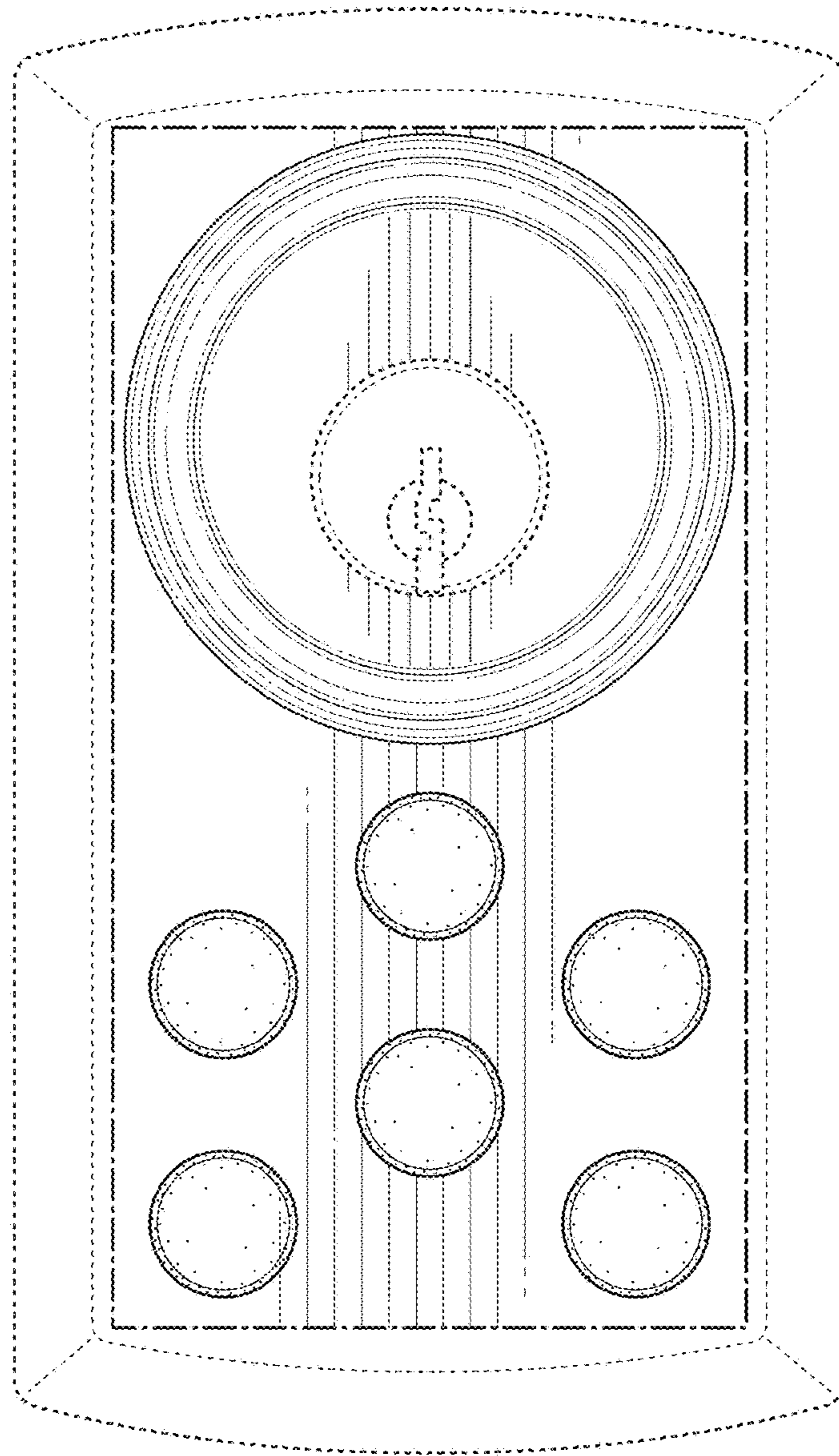


FIG. 8

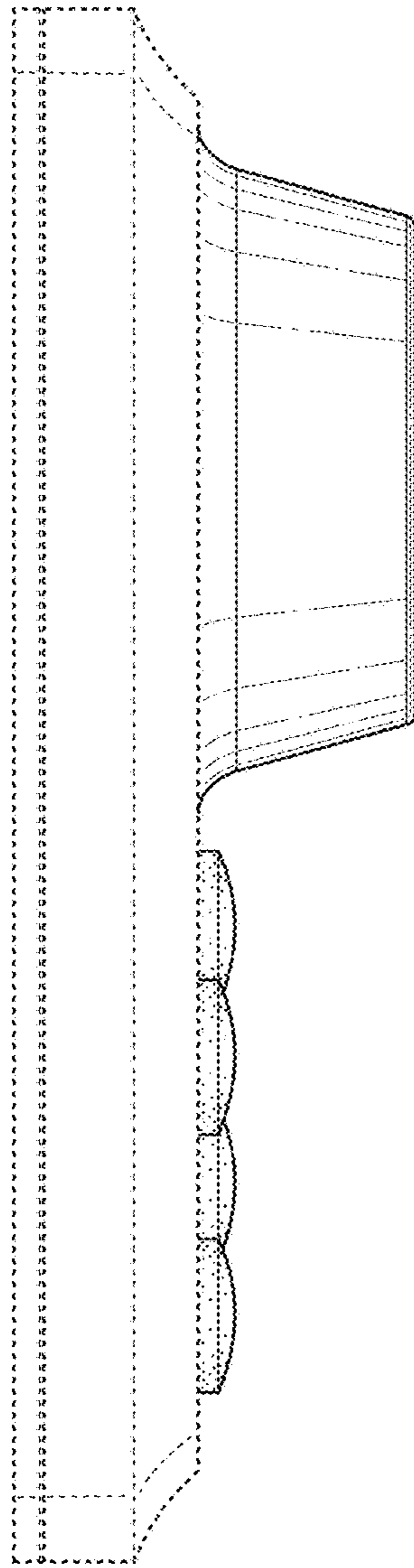


FIG. 9

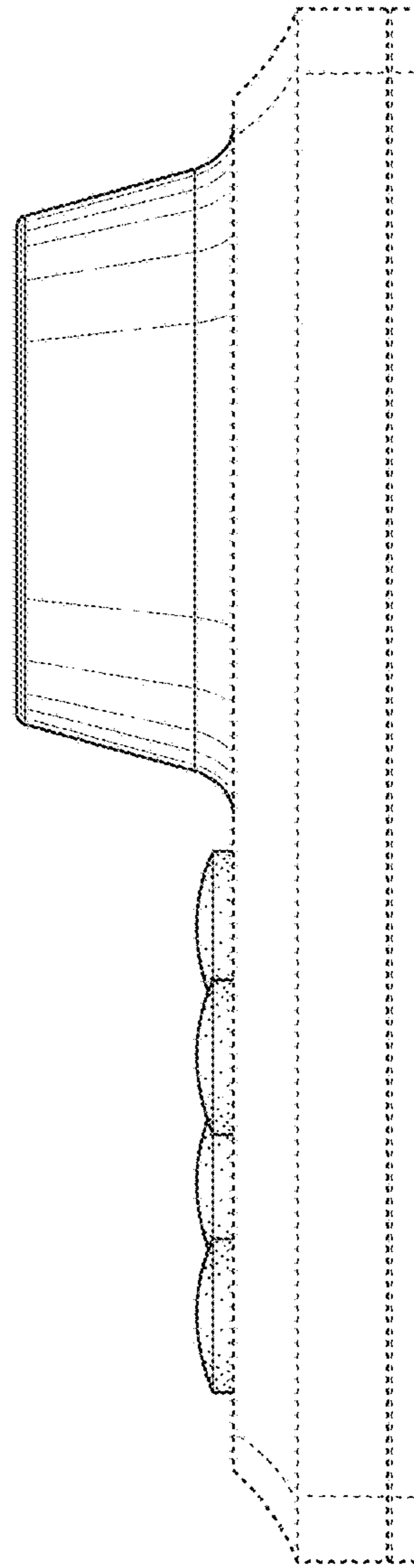


FIG. 10

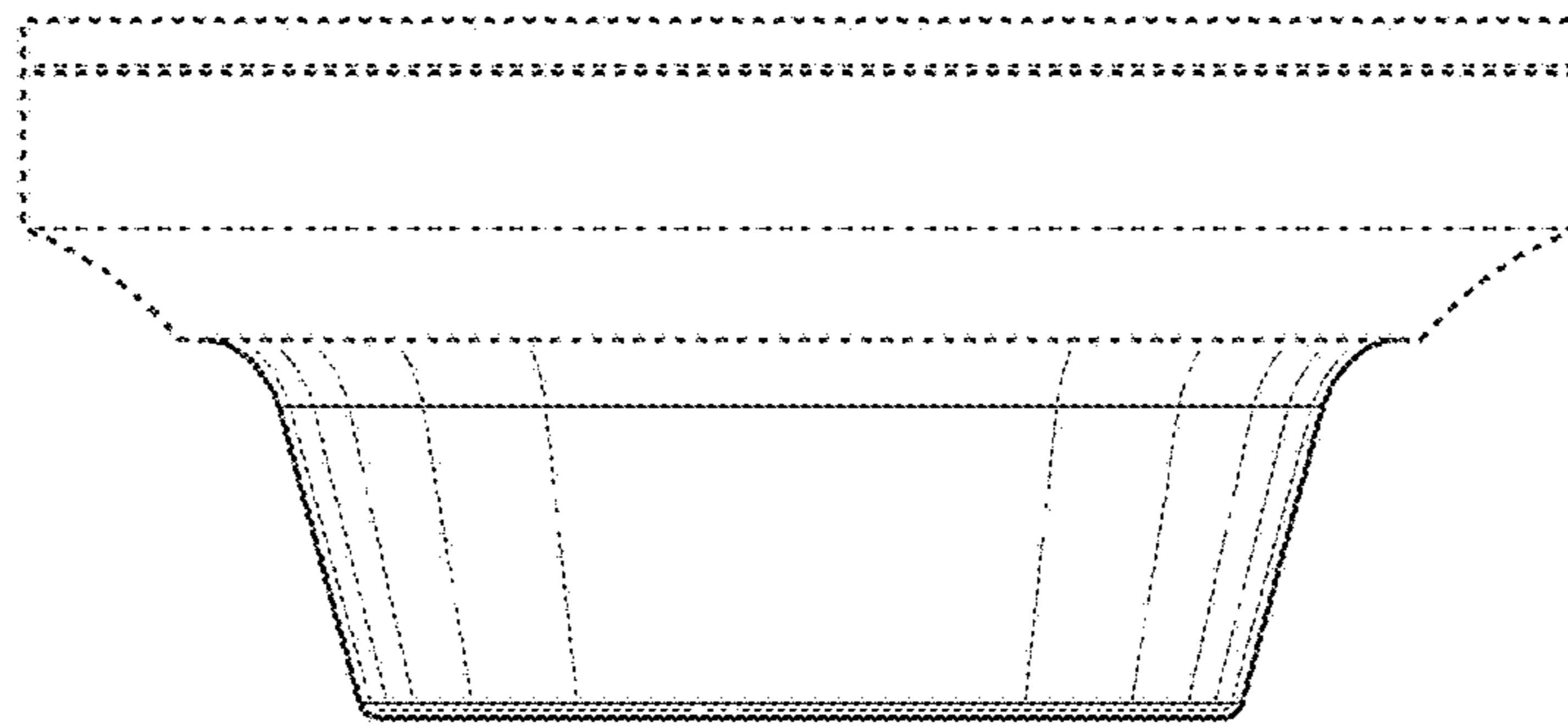


FIG. 11

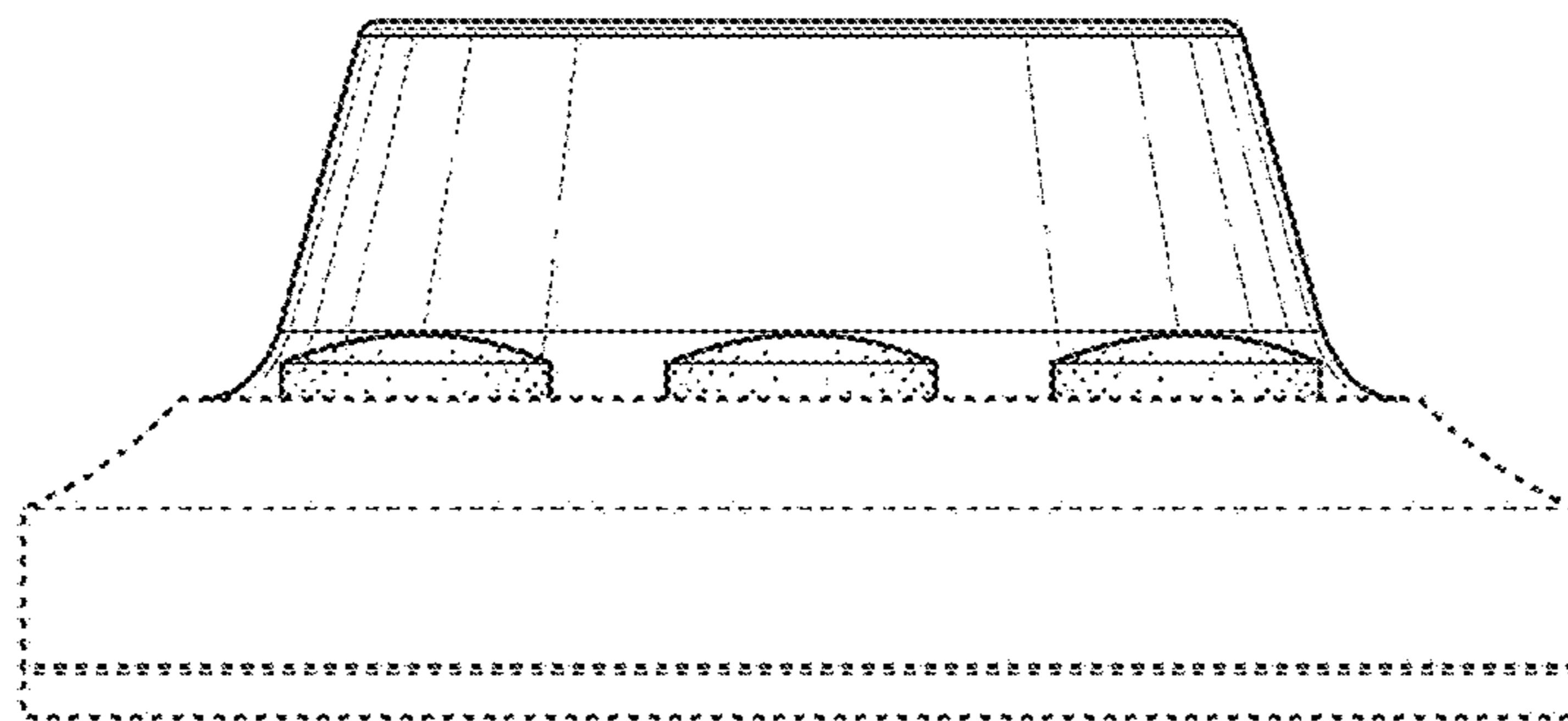


FIG. 12

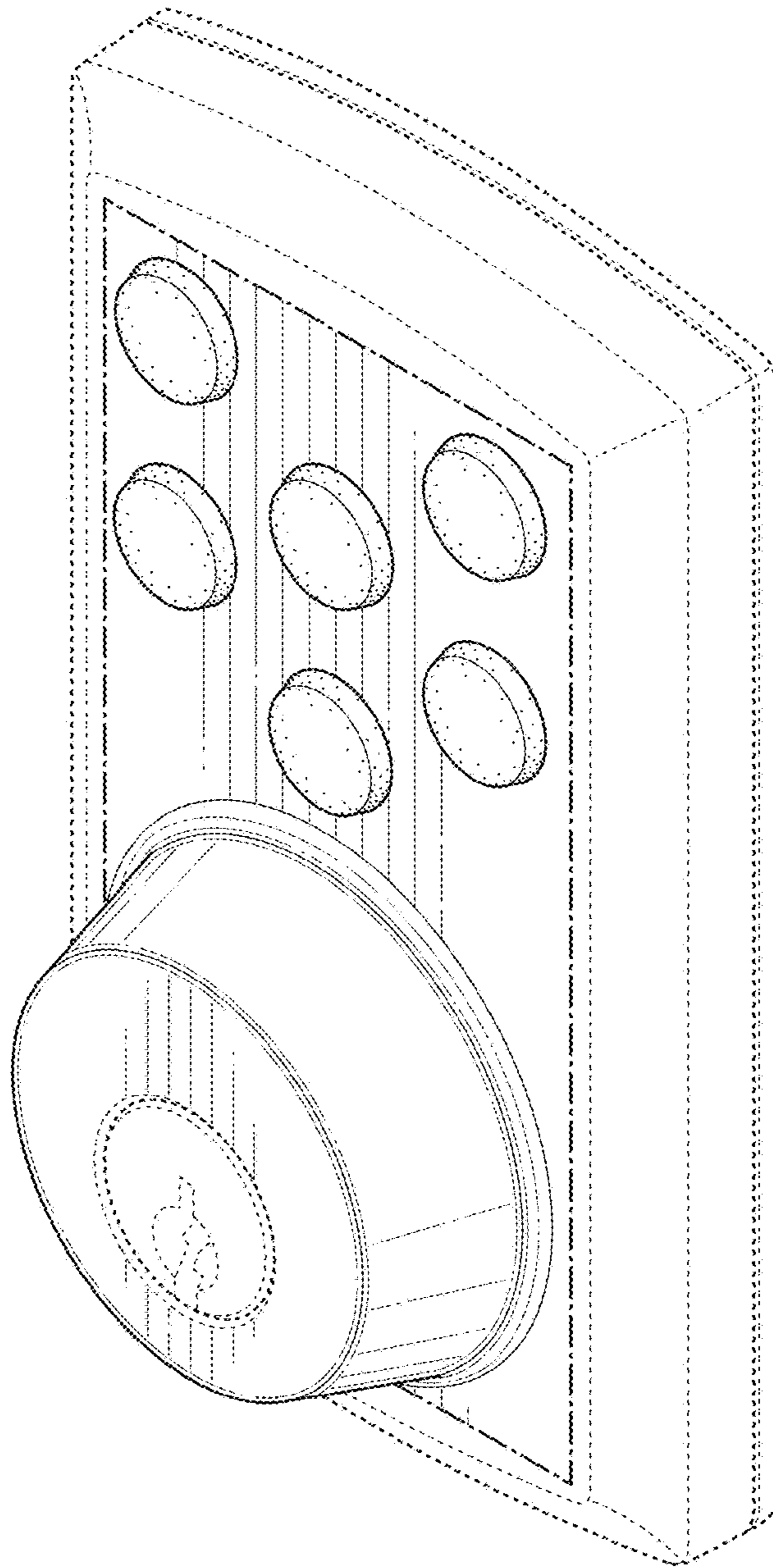


FIG. 13

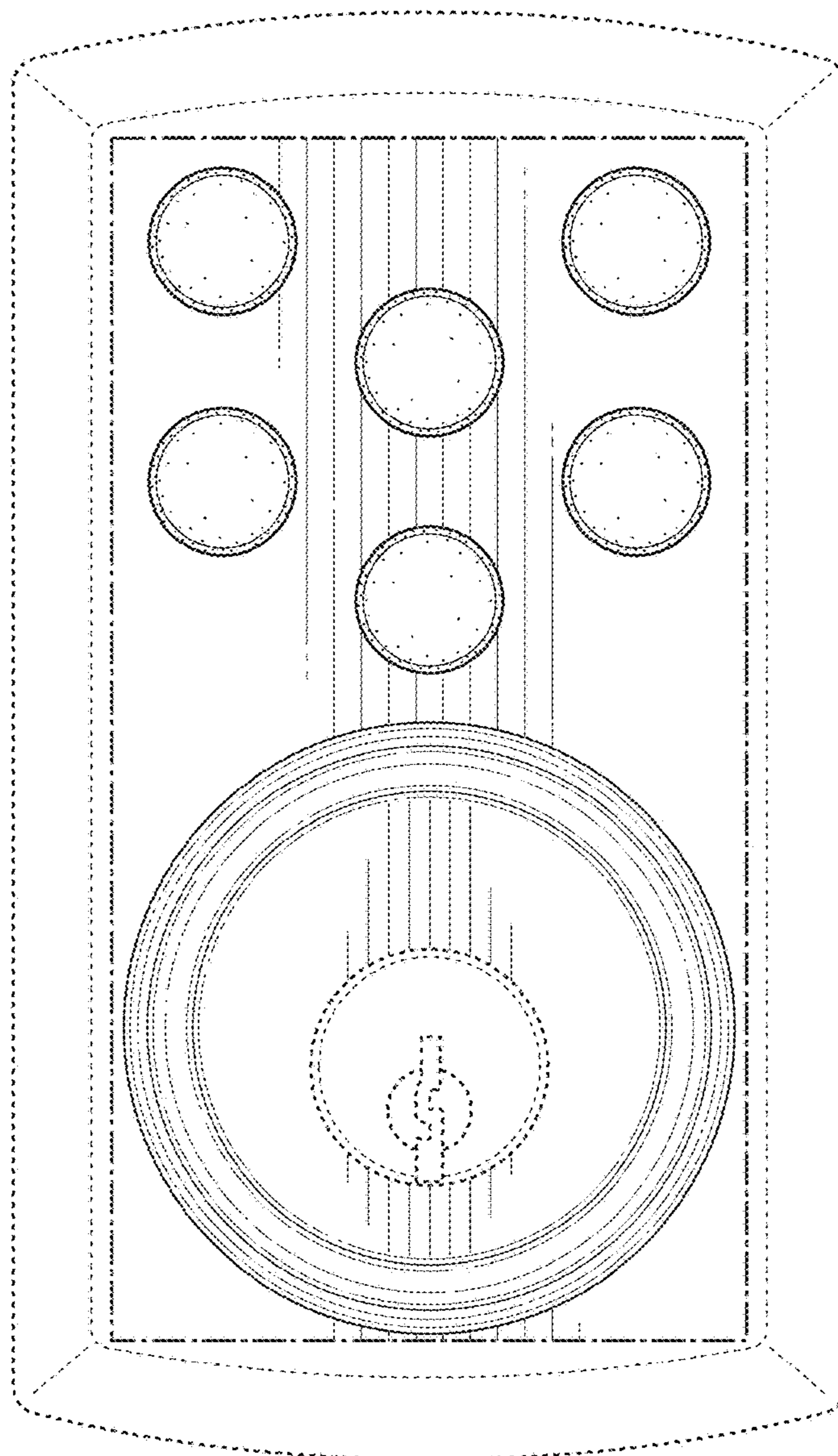


FIG. 14

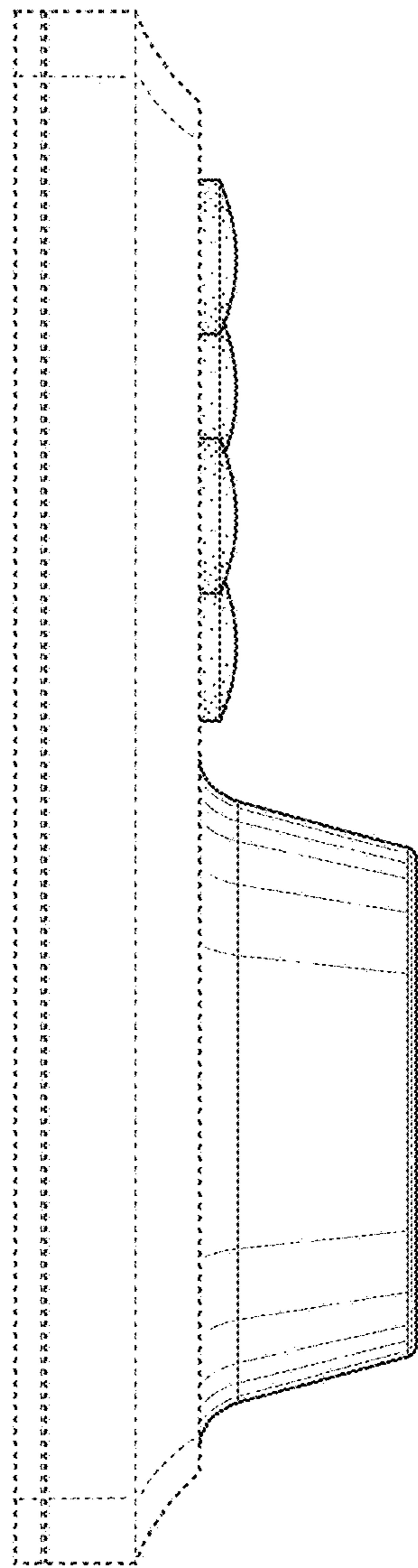


FIG. 15

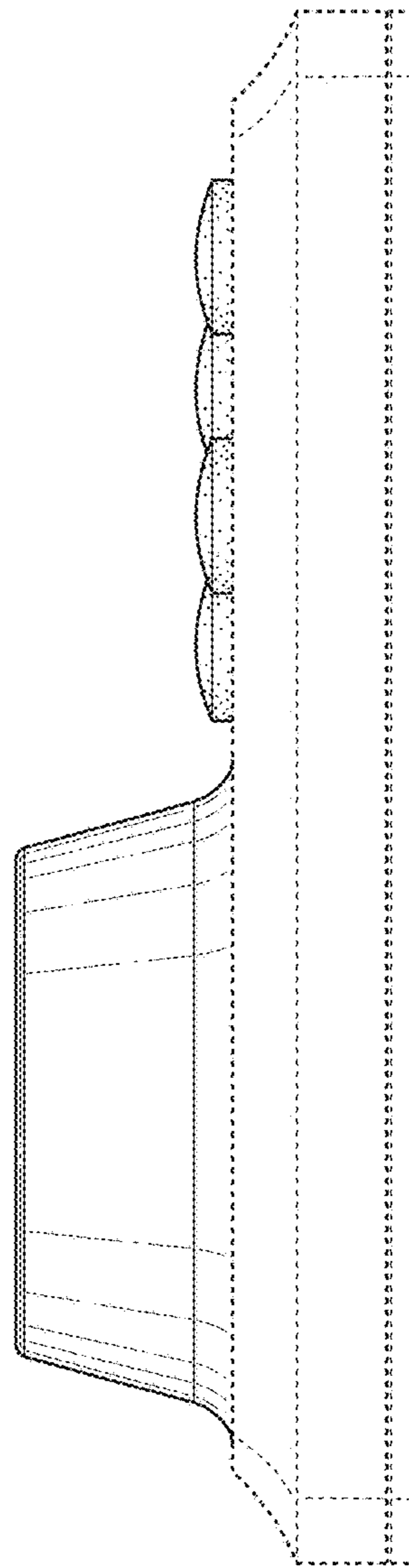


FIG. 16

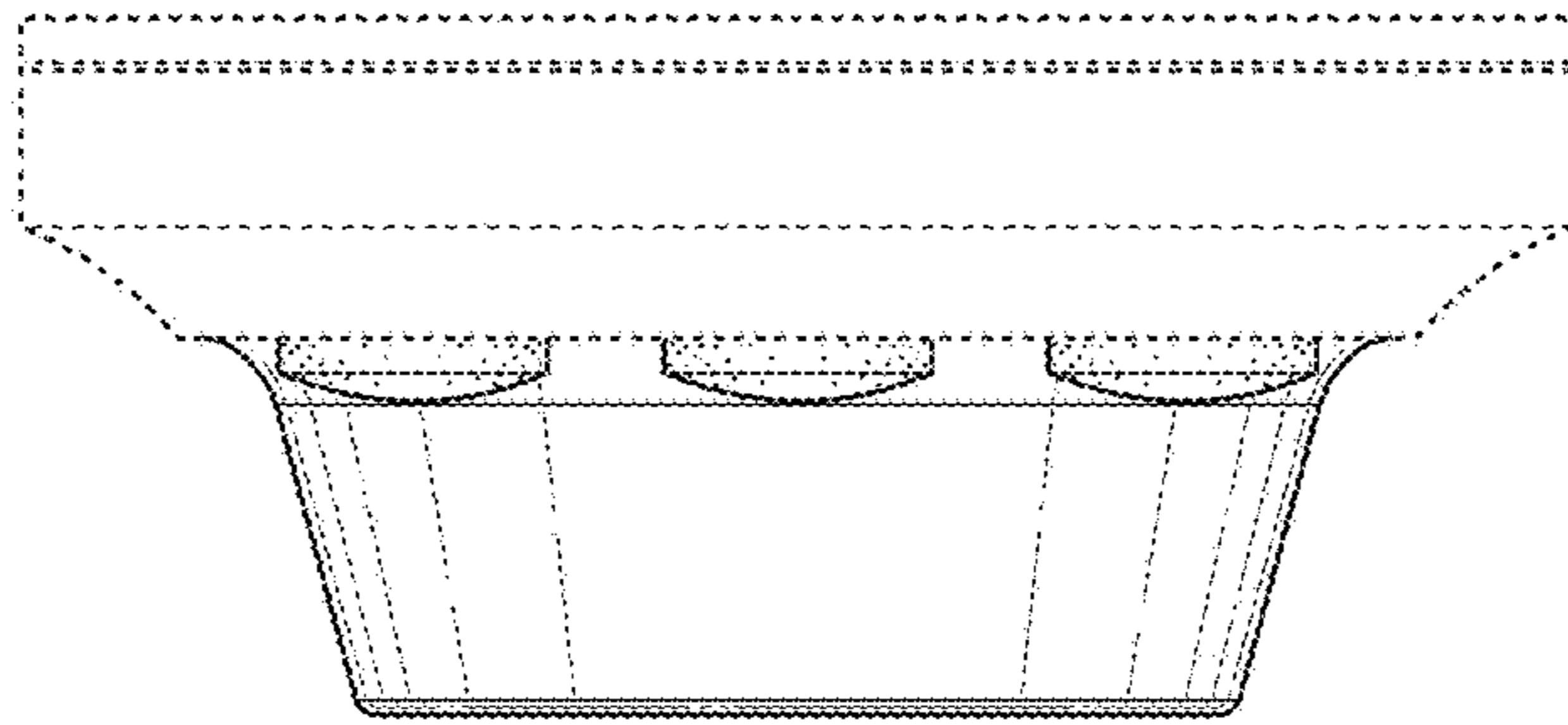


FIG. 17

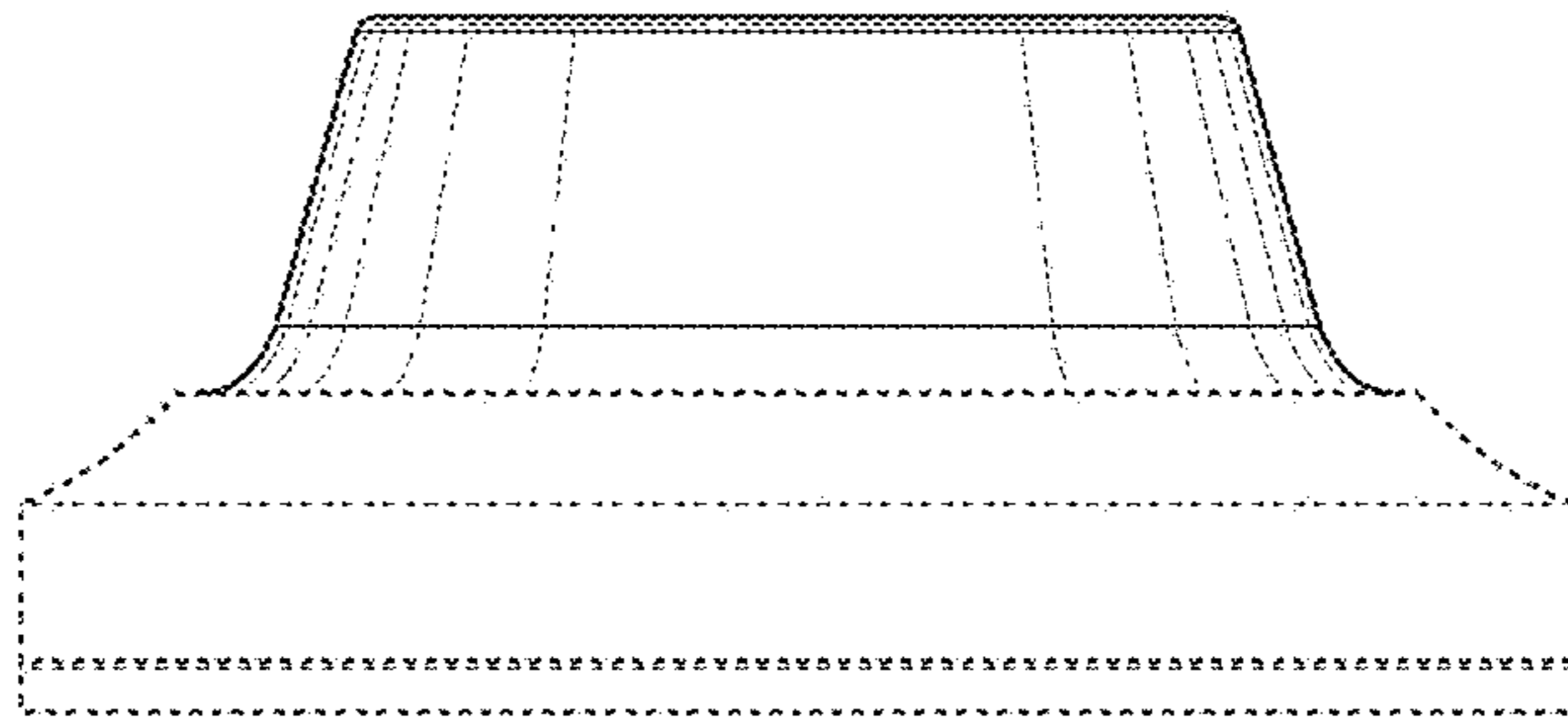


FIG. 18