



US00D802396S

(12) **United States Design Patent** (10) **Patent No.:** **US D802,396 S**
Hsu (45) **Date of Patent:** **** Nov. 14, 2017**

(54) **ELECTRONIC DOOR LOCK** 7,336,150 B2 * 2/2008 Gokcebay E05B 47/06
340/5.2

(71) Applicant: **Spectrum Brands, Inc.**, Middleton, WI (US) D687,786 S 8/2013 Chin et al.
D687,787 S 8/2013 Chin et al.
D688,213 S 8/2013 Huang et al.
D688,215 S 8/2013 Yu et al.
D688,635 S 8/2013 Ni et al.
D733,522 S 7/2015 Kim et al.
D735,016 S 7/2015 Kim et al.
D736,590 S * 8/2015 Roberts, III D8/330
D743,349 S * 11/2015 Leeland D10/50
D746,165 S 12/2015 Li

(72) Inventor: **Wei Hsu**, Lake Forest, CA (US) 9,580,934 B2 * 2/2017 Baty E05B 47/0012
D784,333 S * 4/2017 Hsu D14/383
D789,768 S * 6/2017 Hsu D8/330
D789,769 S * 6/2017 Hsu D8/330
D790,318 S * 6/2017 Hsu D8/330

(73) Assignee: **Spectrum Brands, Inc.**, Middleton, WI (US)

(**) Term: **15 Years**

(21) Appl. No.: **29/571,222**

(22) Filed: **Jul. 15, 2016**

(51) **LOC (10) Cl.** **08-07**

(52) **U.S. Cl.**
USPC **D8/330**; D8/334; D8/331; D8/343

(58) **Field of Classification Search**
USPC D8/330, 331, 336, 338, 339, 340, 343;
70/14, 2, 51, 57, 57.1, 91, 107, 141;
292/2, 32, 137, 288, 289, 290, 292
CPC G05B 19/00; G05B 15/00; E05B 49/00;
E05B 9/00; E05B 17/00; E05B 37/00;
E05B 65/10
See application file for complete search history.

(56) **References Cited**

U.S. PATENT DOCUMENTS

D191,047 S * 8/1961 Baxendell D13/169
D285,668 S 9/1986 Tanaka et al.
D290,442 S * 6/1987 Floyd D8/330
5,020,345 A * 6/1991 Gartner E05B 47/0012
70/277
5,033,282 A * 7/1991 Gartner E05B 47/0012
70/119
D401,565 S 11/1998 Smith et al.
D436,933 S 1/2001 Armstrong
6,891,479 B1 * 5/2005 Eccleston E05F 15/63
116/86

* cited by examiner

Primary Examiner — Prabhakar Deshmukh
(74) *Attorney, Agent, or Firm* — Banner & Witcoff, Ltd.

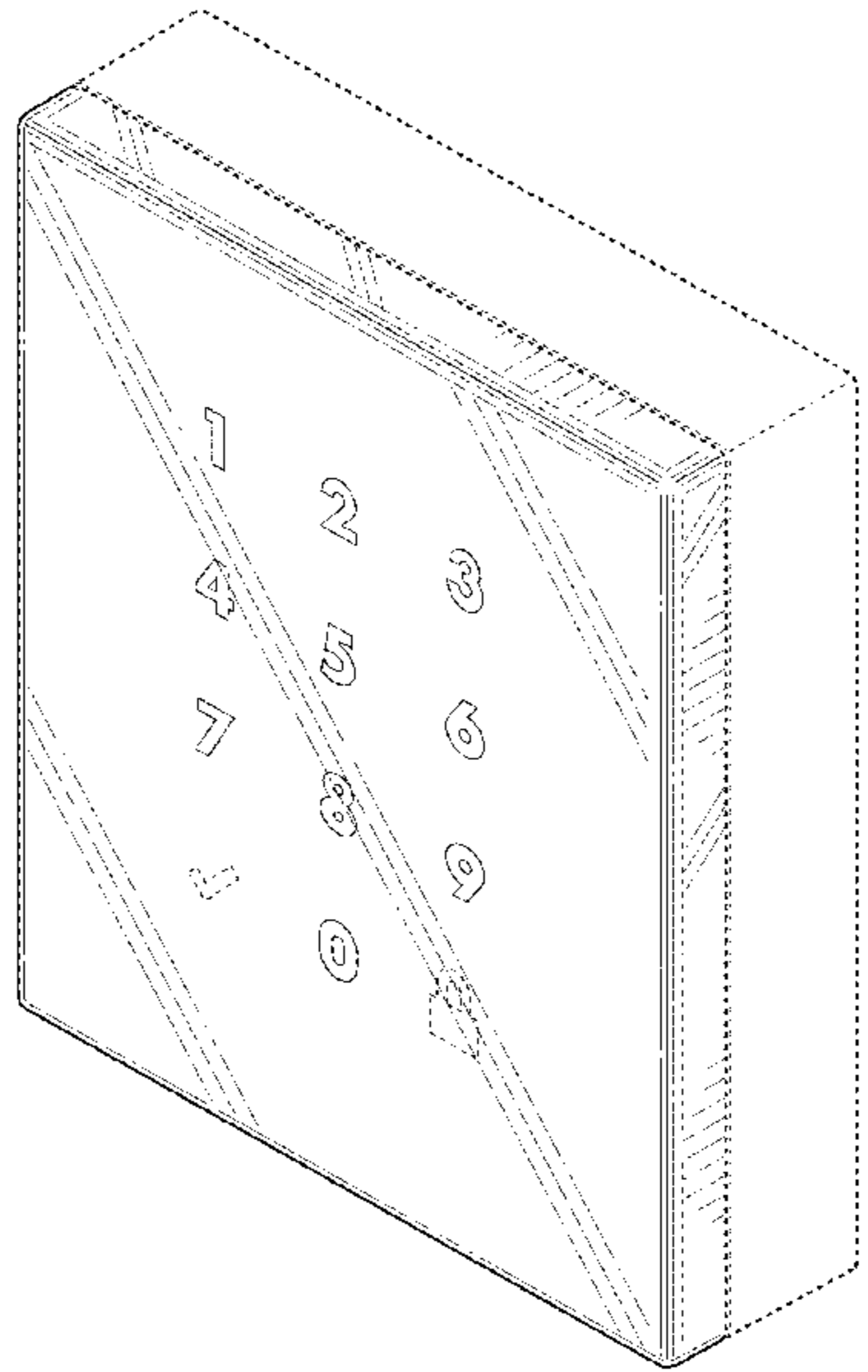
(57) **CLAIM**

The ornamental design for an electronic door lock, as shown and described.

DESCRIPTION

FIG. 1 is a front perspective view of an electronic door lock showing my new design;
FIG. 2 is a front view thereof;
FIG. 3 is a left side view thereof;
FIG. 4 is a right side view thereof;
FIG. 5 is a top view thereof; and,
FIG. 6 is a bottom view thereof.
The broken line showing of the two front surface icons, and the remainder of the electronic door lock represents unclaimed subject matter and forms no part of the claimed design. The broken lines adjacent to the shaded area represent unclaimed boundaries of the design.

1 Claim, 4 Drawing Sheets



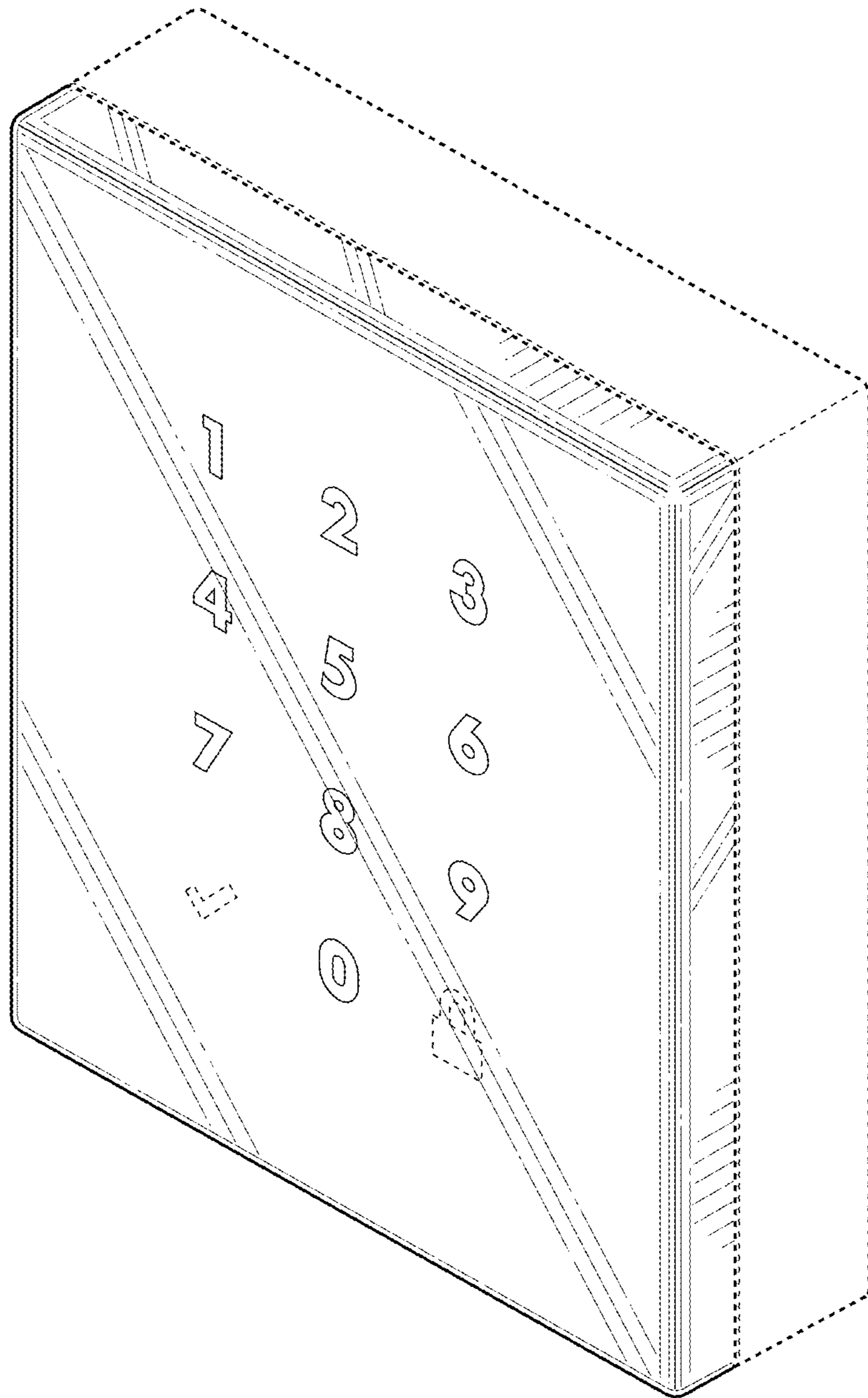


FIG. 1

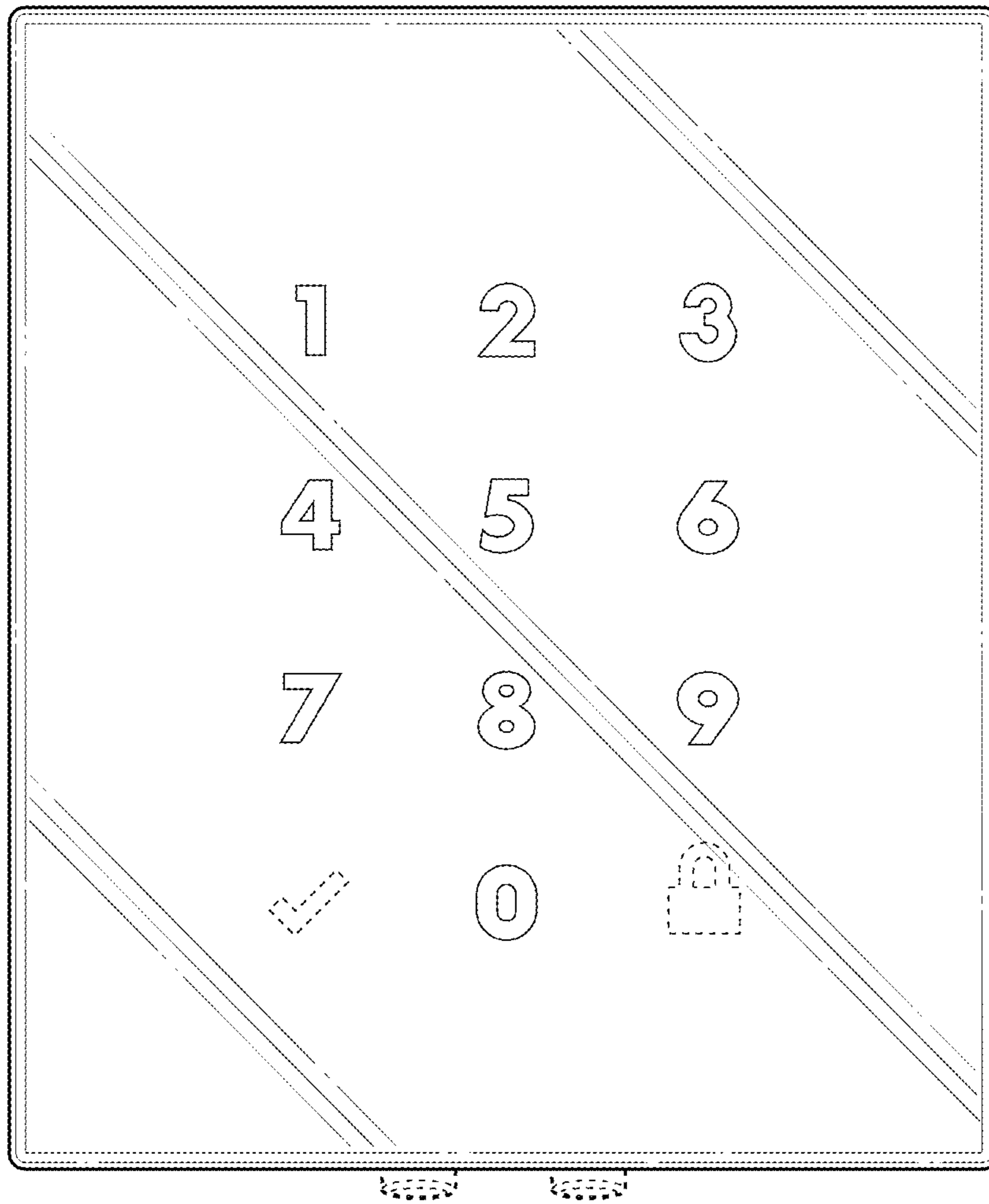


FIG. 2

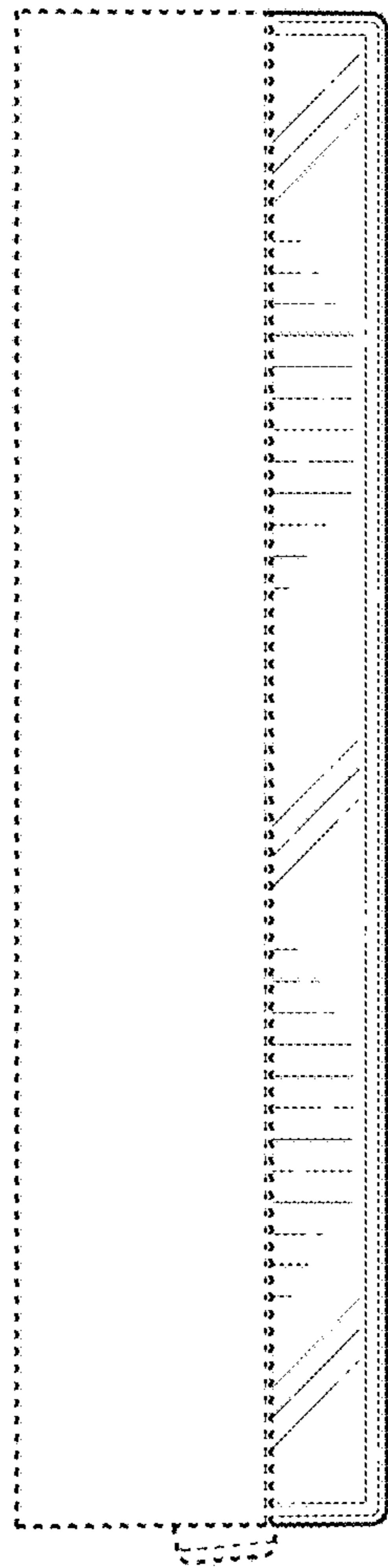


FIG. 3

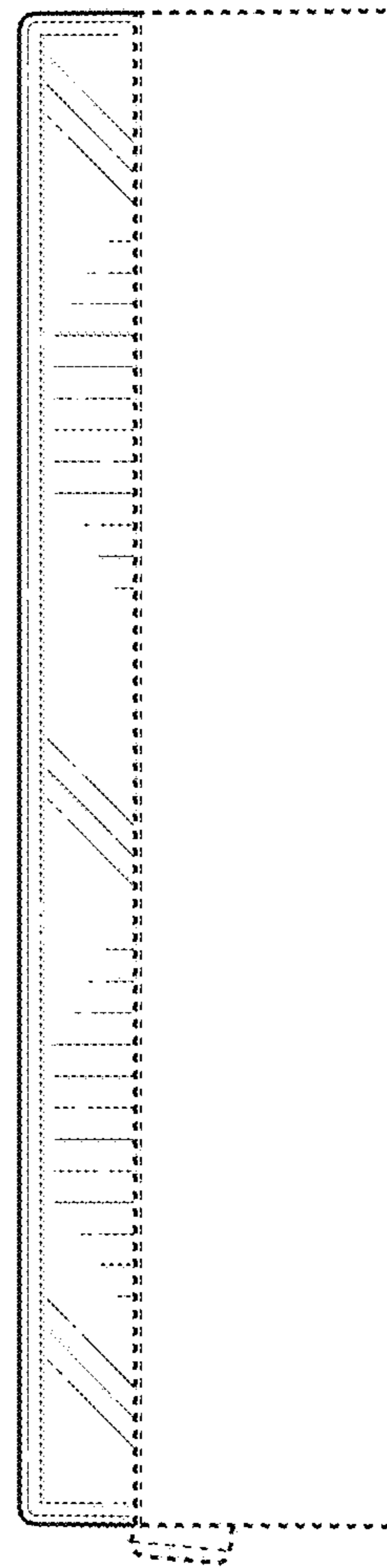


FIG. 4

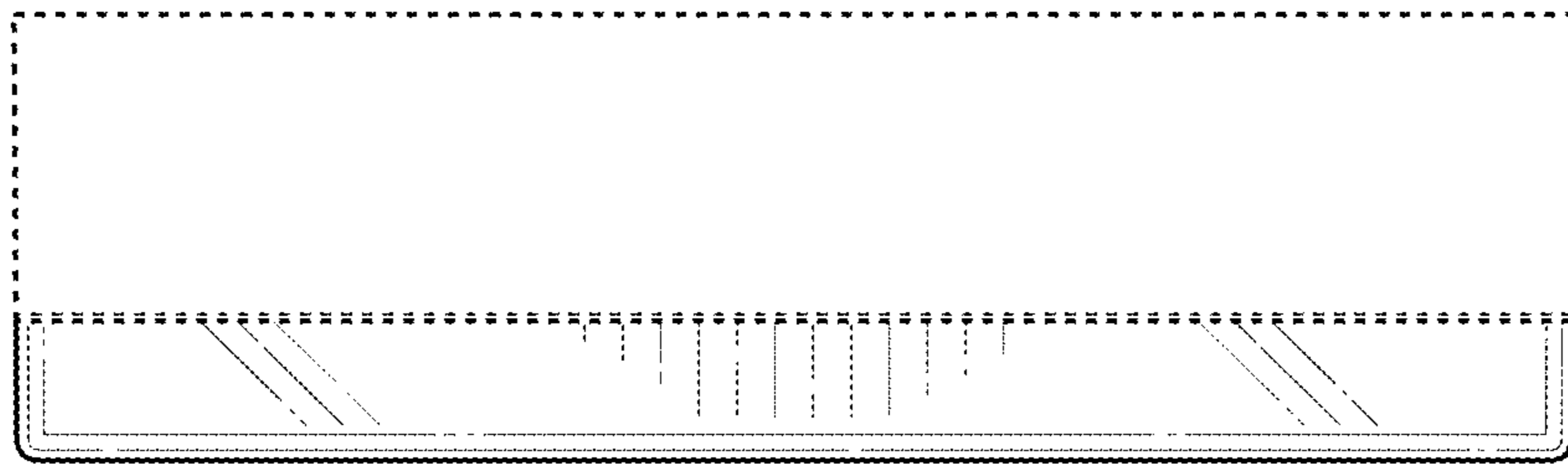


FIG. 5

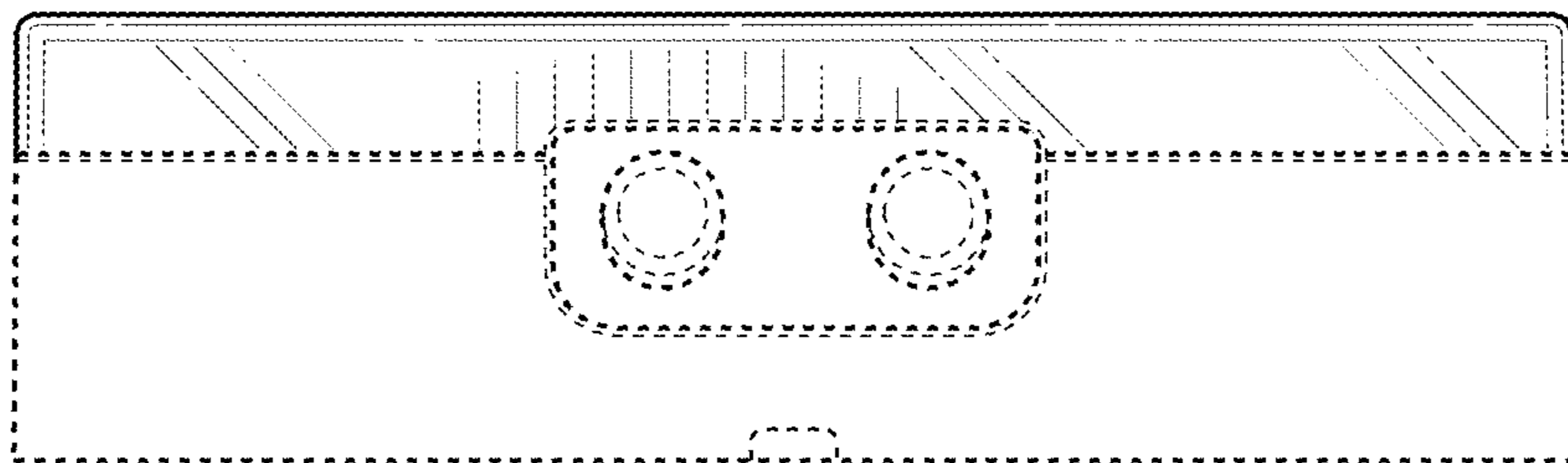


FIG. 6