



US00D802391S

(12) **United States Design Patent** (10) **Patent No.:** **US D802,391 S**
Cuzdey (45) **Date of Patent:** **** Nov. 14, 2017**

(54) **ARBOR FOR A CIRCULAR SAW**

FOREIGN PATENT DOCUMENTS

(71) Applicant: **Cuz-D Manufacturing, Inc.**, Tacoma, WA (US)

JP S59138849 A 8/1984
JP S6169401 4/1986

(Continued)

(72) Inventor: **Jacob Cuzdey**, Lacey, WA (US)

OTHER PUBLICATIONS

(73) Assignee: **CUZ-D MANUFACTURING, INC.**, Tacoma, WA (US)

International Search Report and Written Opinion mailed Jan. 13, 2012 in International Application No. PCT/US2011/048323, 10 pages.

(**) Term: **15 Years**

(Continued)

(21) Appl. No.: **29/565,647**

Primary Examiner — Darlington Ly

(22) Filed: **May 23, 2016**

(74) *Attorney, Agent, or Firm* — Perkins Coie LLP

(51) **LOC (10) Cl.** **08-05**

(57) **CLAIM**

(52) **U.S. Cl.**

The ornamental design for an arbor for a circular saw, as shown and described.

USPC **D8/70**

DESCRIPTION

(58) **Field of Classification Search**

USPC D8/70; D15/140

CPC ... B23B 31/4073; B23B 51/0473; B27B 5/32;

B27B 5/34; B23D 61/025

See application file for complete search history.

FIG. 1 is an exploded top and front perspective view of an arbor for a circular saw showing my new design relative to an environmental circular saw;

FIG. 2 is an assembled top and front perspective view thereof in conjunction with an environmental circular saw;

FIG. 3 is an assembled top and front perspective view thereof;

FIG. 4 is a rear perspective view thereof;

FIG. 5 is a front elevation view thereof;

FIG. 6 is a rear elevation view thereof;

FIG. 7 is a right side elevation view thereof;

FIG. 8 is a left side elevation view thereof;

FIG. 9 is a top and front perspective view of the female component of the arbor for a circular saw in FIGS. 1-8; and,

FIG. 10 is a top and rear perspective view of the male component of the arbor for a circular saw in FIGS. 1-8.

The broken line showing the circular saw blade is provided for the purpose of illustrating environmental structure and forms no part of the claimed design.

(56) **References Cited**

U.S. PATENT DOCUMENTS

2,846,826 A * 8/1958 Miller B24B 45/00
451/342

3,292,673 A 12/1966 Gregory et al.

3,647,310 A * 3/1972 Morse B23B 51/0426
279/145

3,703,654 A 11/1972 Karubian

3,721,141 A 3/1973 Frostad et al.

3,783,729 A * 1/1974 Parr B27B 5/32
144/218

4,221,051 A 9/1980 Glass et al.

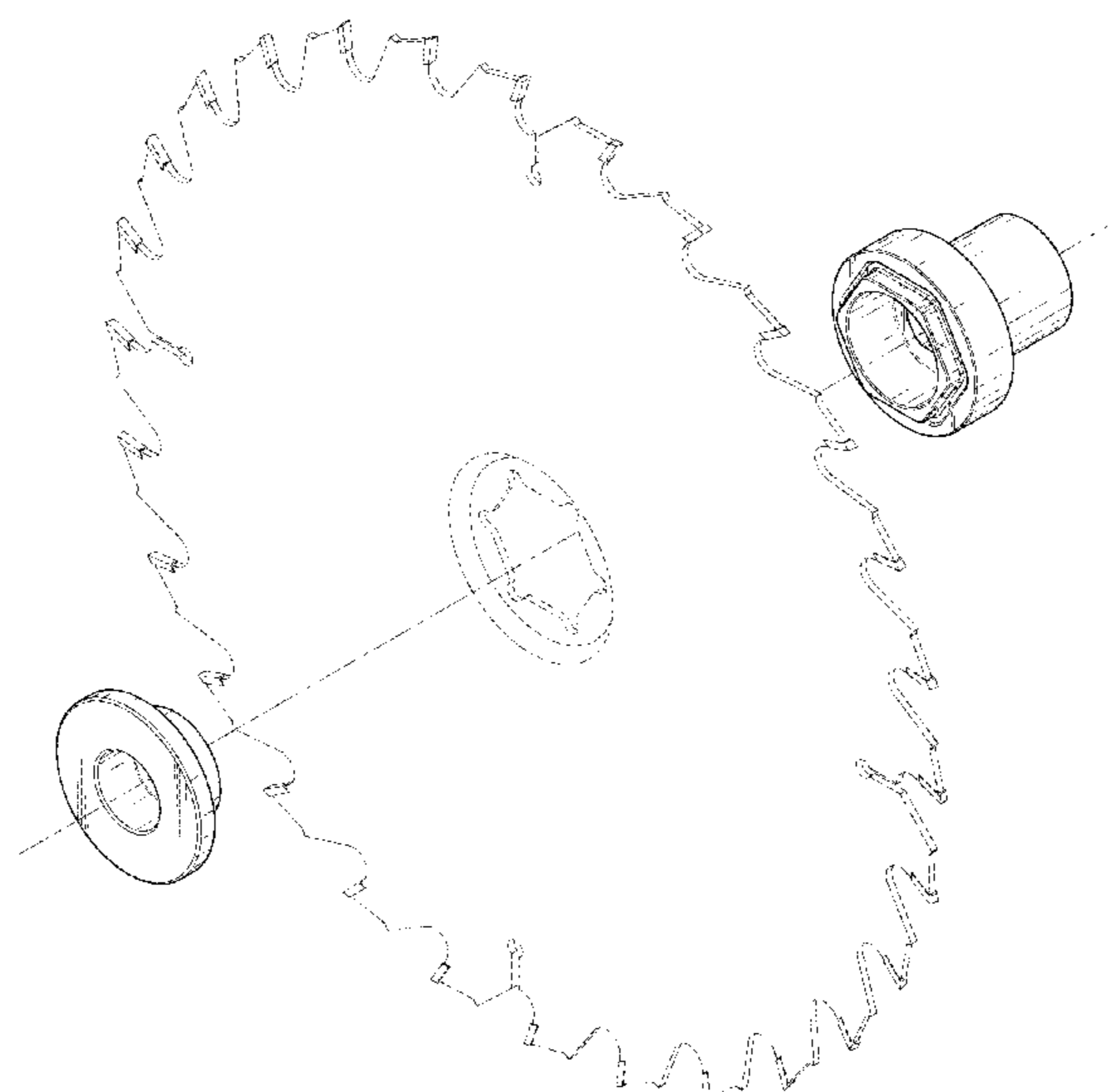
4,241,505 A 12/1980 Bodycomb, Jr. et al.

4,589,458 A 5/1986 McCord et al.

4,685,214 A 8/1987 Shearon et al.

(Continued)

1 Claim, 5 Drawing Sheets



(56)

References Cited

U.S. PATENT DOCUMENTS

4,706,386 A 11/1987 Wiley et al.
 4,730,952 A 3/1988 Wiley et al.
 4,856,394 A 8/1989 Clowers et al.
 4,982,501 A 1/1991 Sauerwein et al.
 5,121,545 A 6/1992 Nonaka et al.
 5,413,437 A * 5/1995 Bristow B23B 51/0426
 408/1 R
 5,658,102 A * 8/1997 Gale B23B 51/0426
 408/1 R
 5,722,168 A 3/1998 Huang et al.
 5,758,425 A 6/1998 Gallagher et al.
 5,856,715 A 1/1999 Peot et al.
 6,269,543 B1 8/2001 Ohkouchi et al.
 6,701,629 B2 3/2004 Krondorfer et al.
 6,739,060 B1 5/2004 Huang et al.
 6,775,913 B2 8/2004 Fey et al.
 6,896,604 B1 5/2005 Taylor et al.
 6,912,790 B2 7/2005 James et al.
 7,143,759 B1 12/2006 Wang et al.
 7,175,372 B2 * 2/2007 Davis B23B 31/4073
 408/204
 7,249,619 B2 7/2007 Berkowitz et al.
 7,299,553 B1 11/2007 Brann et al.
 7,318,486 B2 1/2008 Andriolo et al.
 7,497,152 B2 3/2009 Holly et al.
 7,506,877 B1 * 3/2009 Henderson B23B 31/02
 279/143
 7,574,803 B2 8/2009 Parker et al.
 7,581,323 B2 9/2009 Miklosz et al.
 D610,430 S * 2/2010 Fritz D15/139
 7,739,801 B1 6/2010 Nguyen et al.
 D623,034 S * 9/2010 Evatt D8/70
 D633,769 S * 3/2011 Evatt D8/70
 7,950,318 B2 5/2011 Ericsson et al.
 8,366,356 B2 * 2/2013 Novak B23B 51/0473
 408/204

D682,651 S * 5/2013 McRoberts D8/20
 D714,119 S * 9/2014 Graber D8/70
 8,935,857 B2 1/2015 Inayoshi
 9,022,703 B2 * 5/2015 Keightley B23B 51/0473
 408/204
 D738,178 S * 9/2015 Eisinger D8/70
 RE46,103 E * 8/2016 Novak B23B 51/04
 2002/0046469 A1 4/2002 DiLaura et al.
 2003/0110645 A1 6/2003 Phillips et al.
 2003/0217743 A1 11/2003 Gardner et al.
 2004/0148789 A1 8/2004 Gist et al.
 2005/0006961 A1 1/2005 Shen et al.
 2005/0247466 A1 11/2005 Andriolo et al.
 2006/0169111 A1 8/2006 Kozlowski et al.
 2008/0229591 A1 9/2008 Saegesser et al.
 2009/0223069 A1 9/2009 Parks et al.
 2009/0229436 A1 9/2009 Crain et al.
 2010/0162571 A1 7/2010 Chambers et al.
 2010/0320829 A1 * 12/2010 Sollami E21C 35/18
 299/106

FOREIGN PATENT DOCUMENTS

JP 2002283301 A 10/2002
 JP S3104423 9/2004
 JP 2006130591 A 5/2006
 JP 2010064226 A 3/2010
 WO 2012024539 A1 2/2012

OTHER PUBLICATIONS

Office Action mailed Aug. 24, 2015 in China Application No. 201180039367.9, 9 pages.
 Office Action mailed Sep. 15, 2015 in Japan Application No. 2013-526011, 24 pages.

* cited by examiner

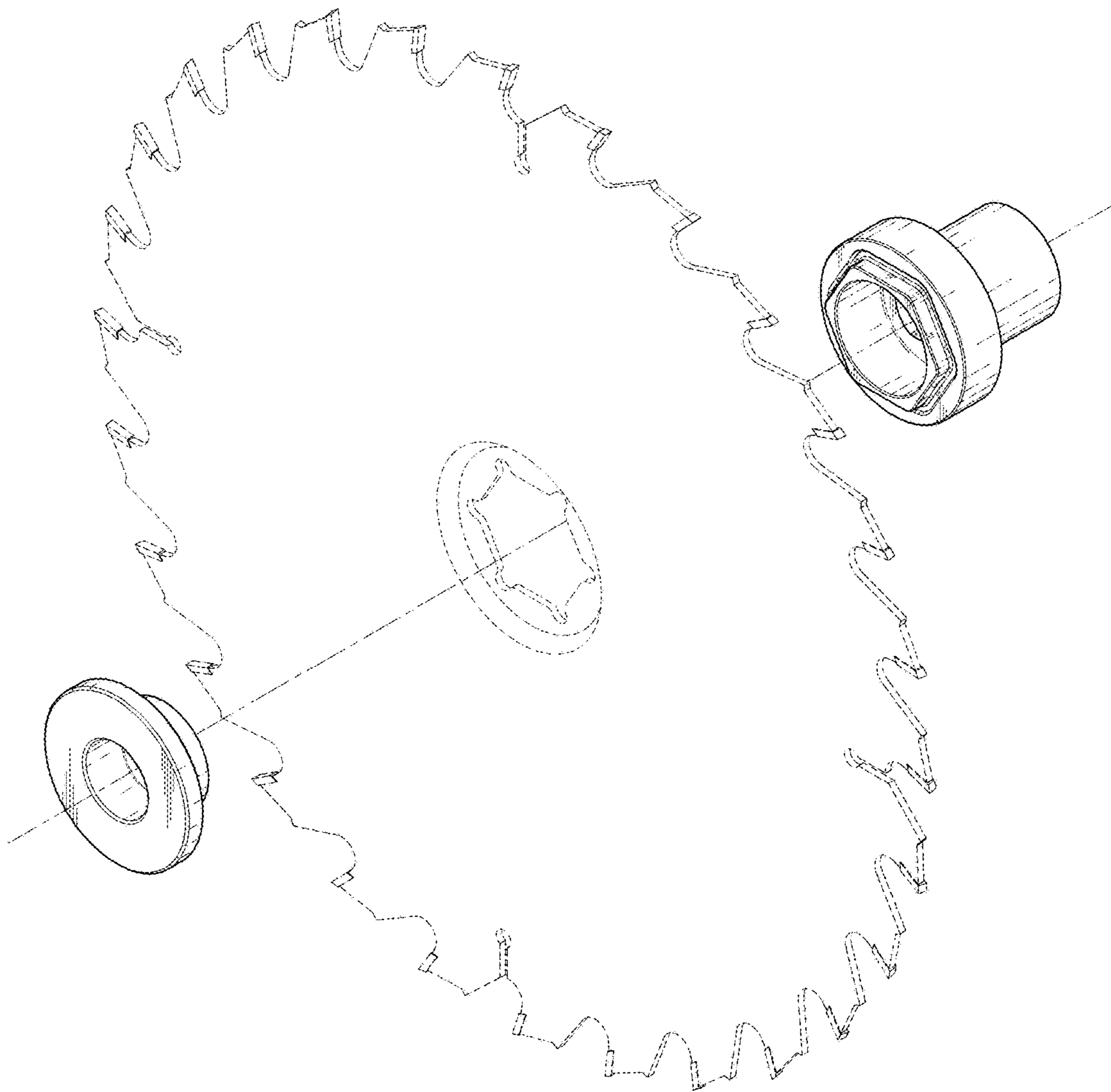


Fig. 1

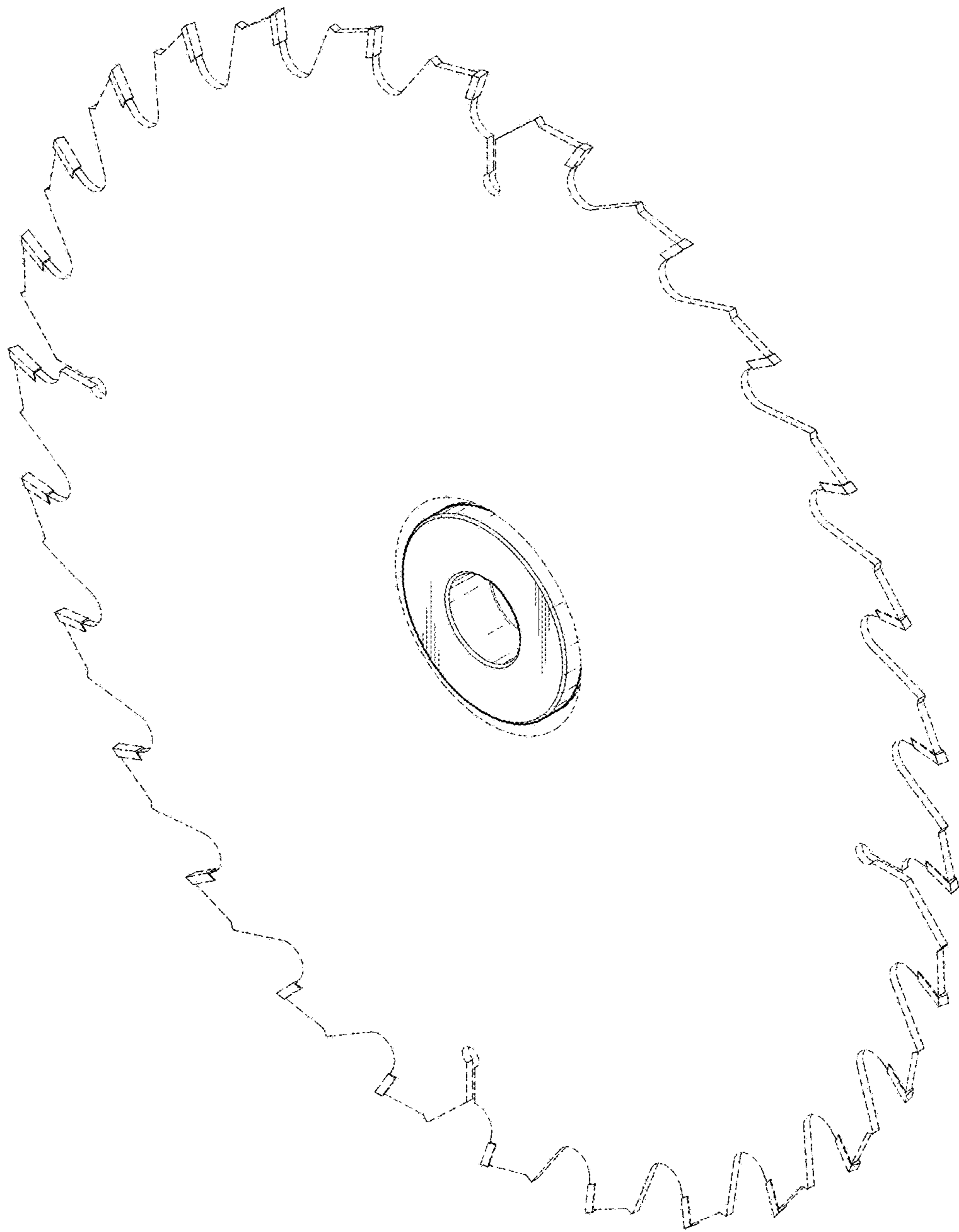


Fig. 2

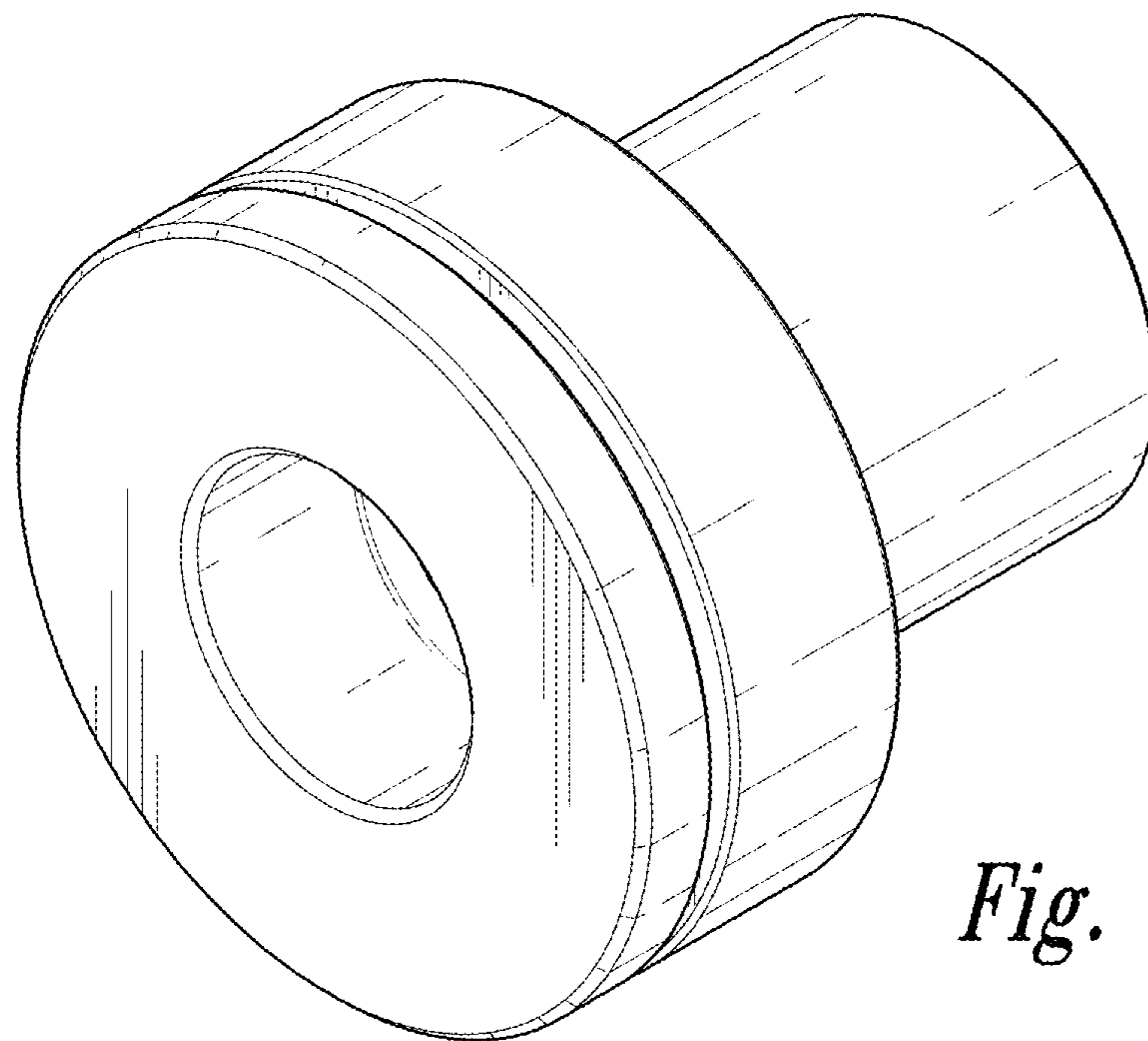


Fig. 3

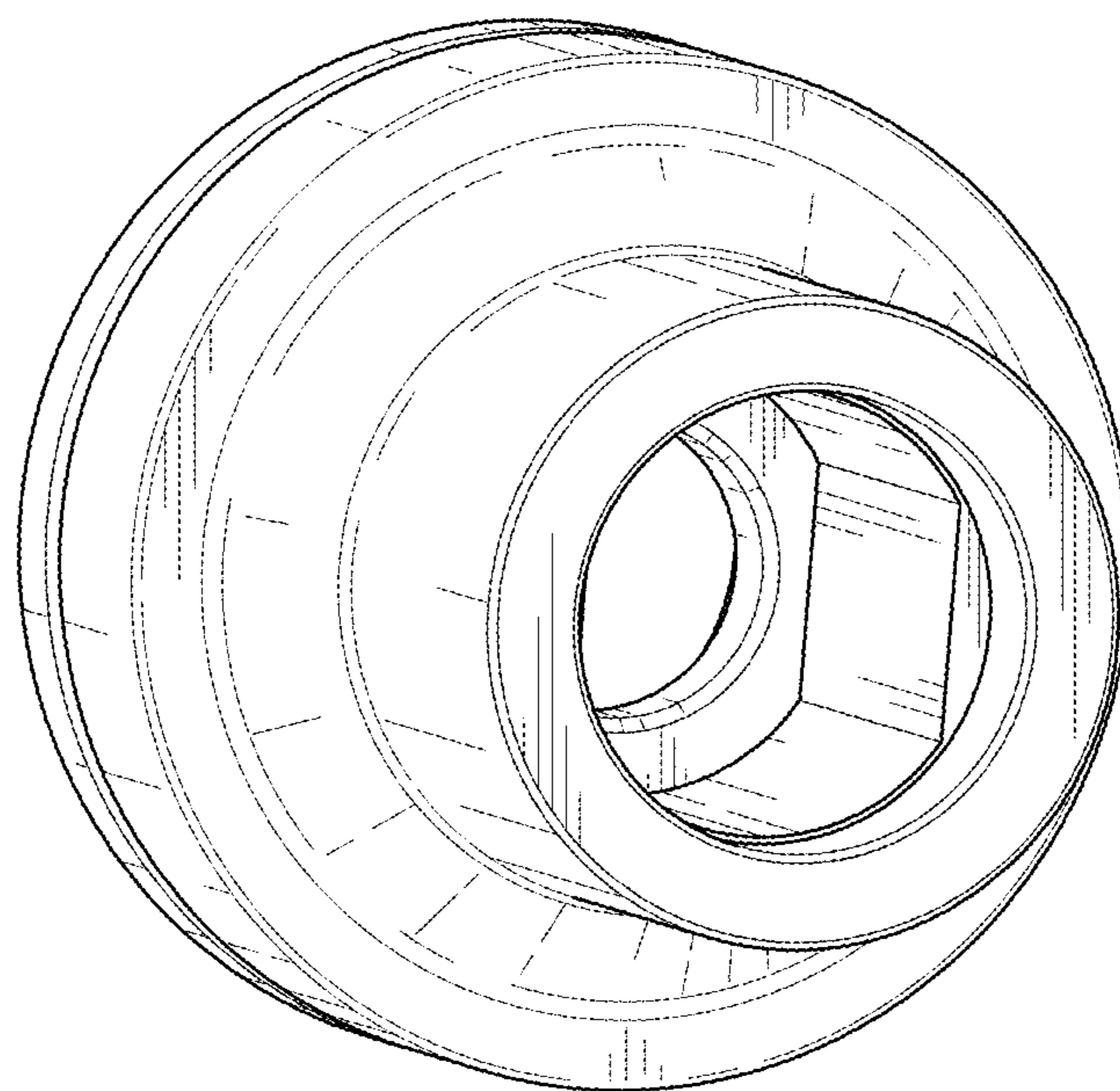


Fig. 4

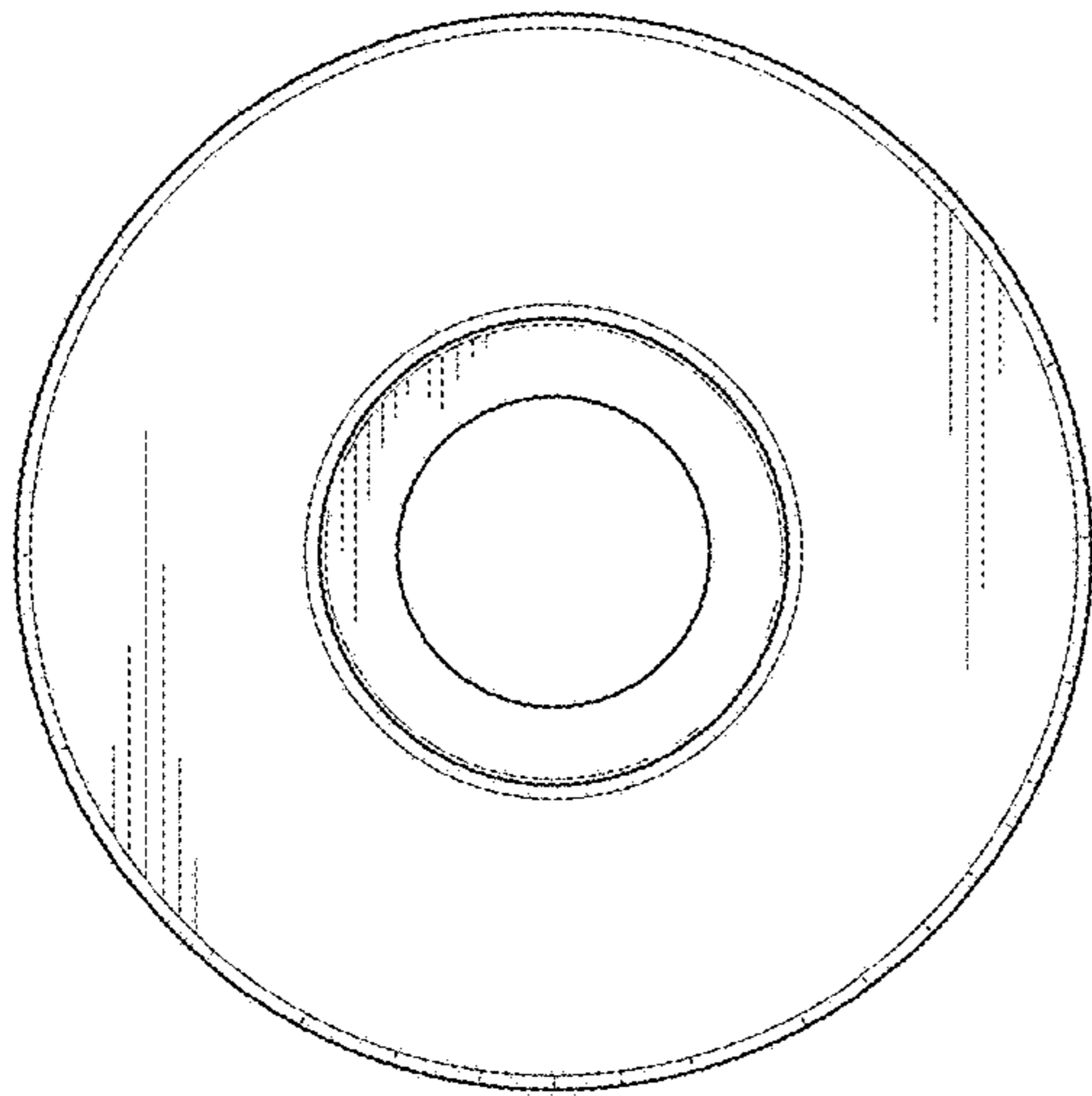


Fig. 5

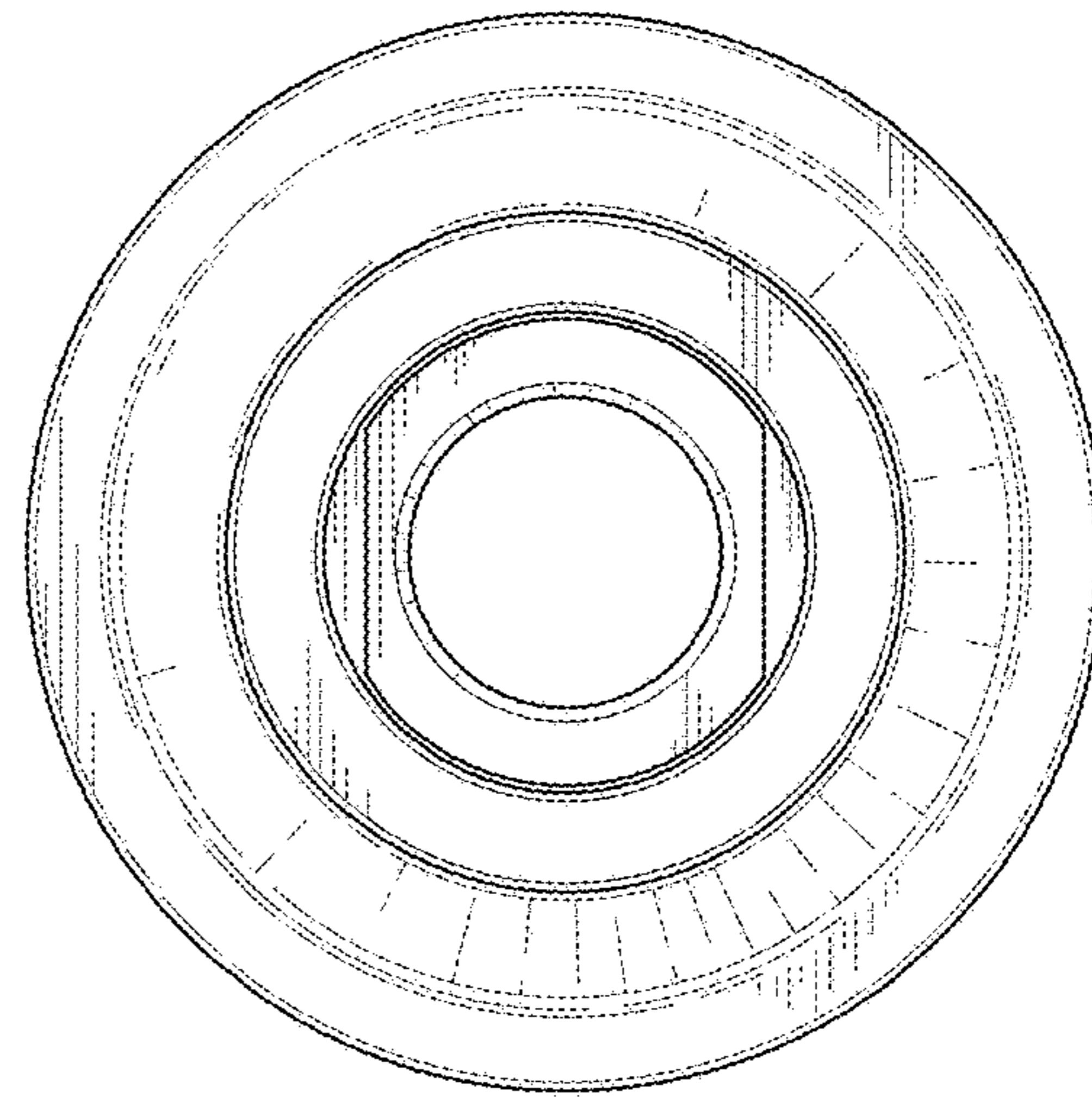


Fig. 6

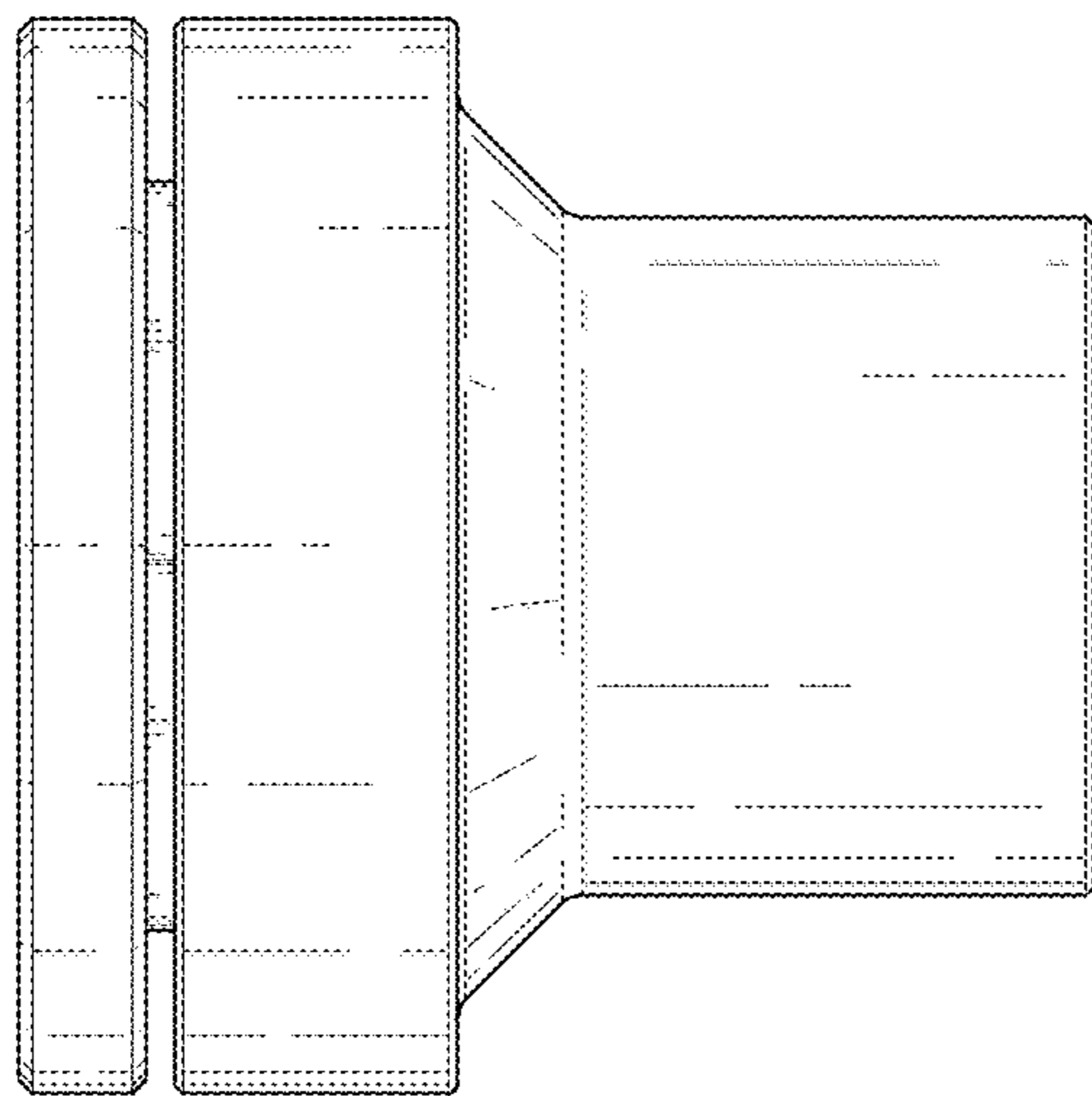


Fig. 7

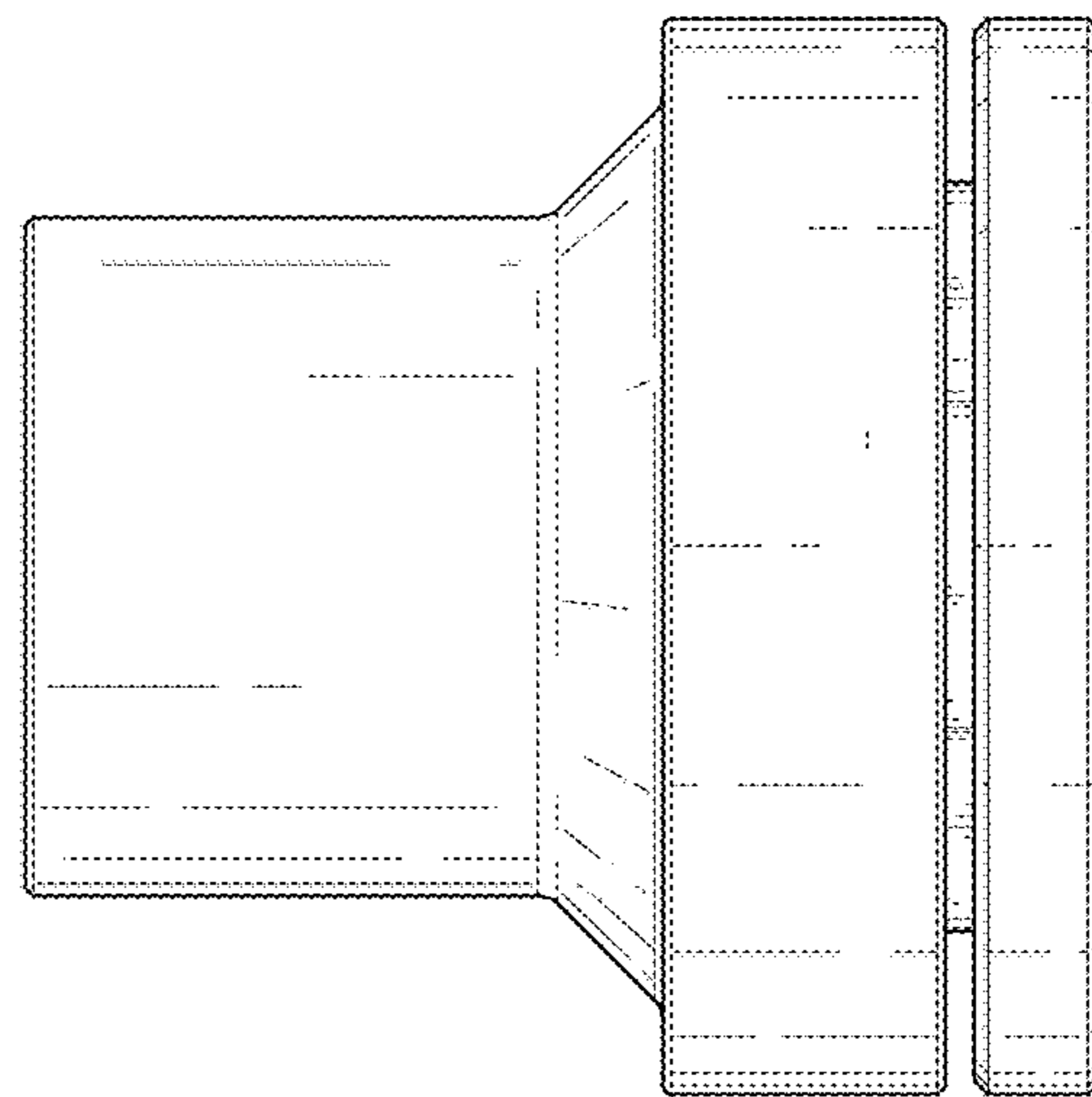


Fig. 8

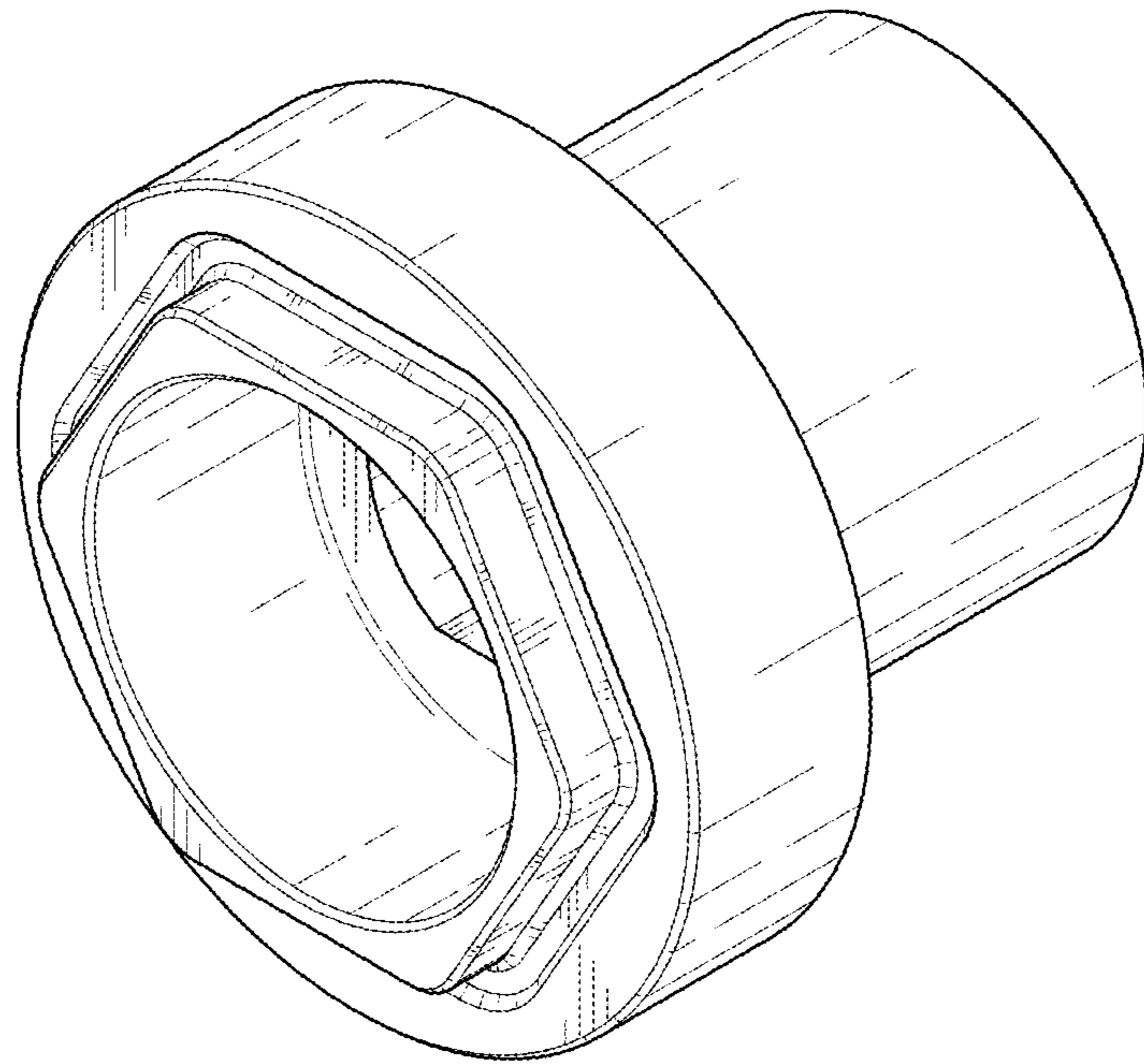


Fig. 9

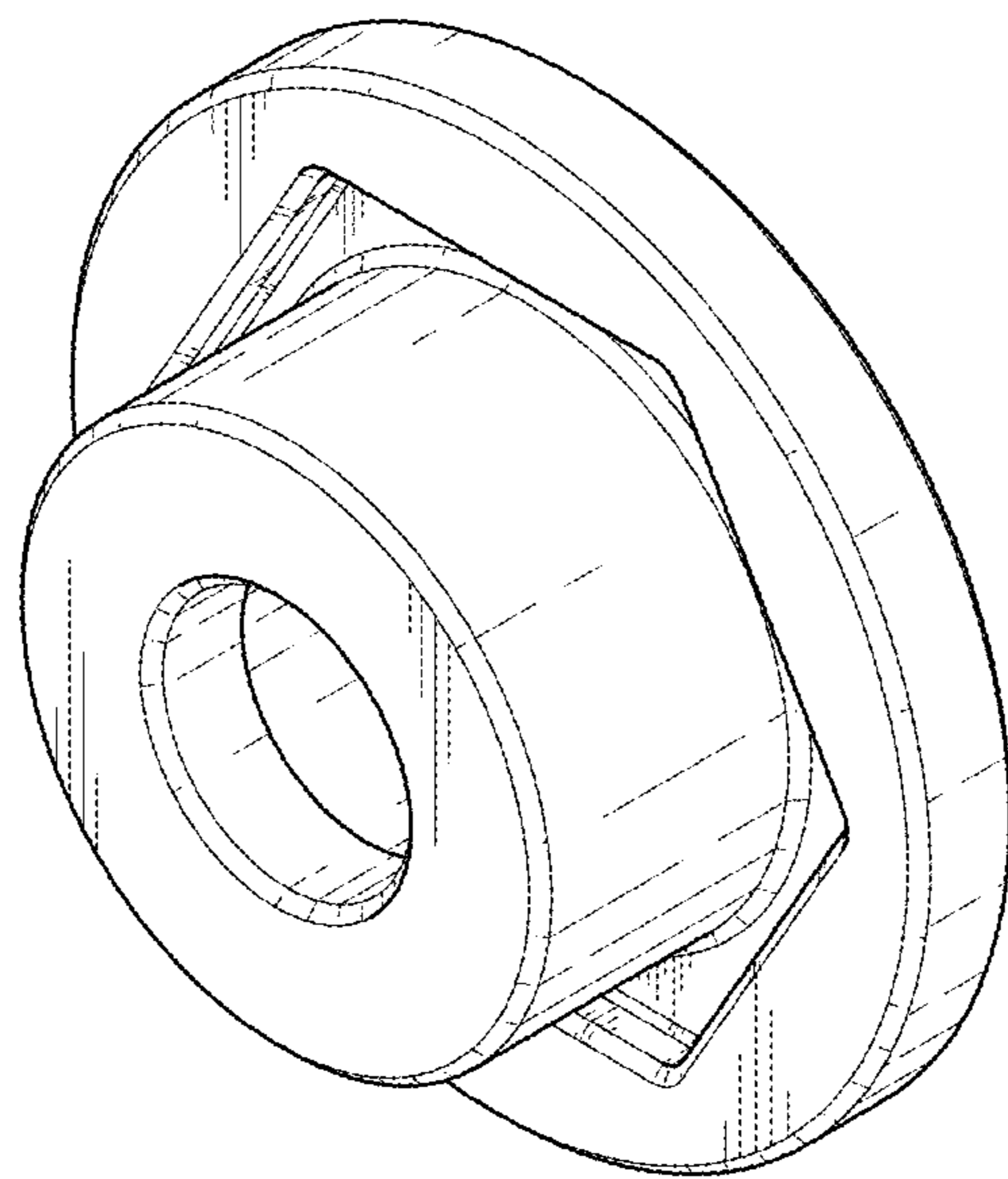


Fig. 10