



US00D802388S

(12) **United States Design Patent**
Marcial

(10) **Patent No.:** **US D802,388 S**

(45) **Date of Patent:** **** Nov. 14, 2017**

- (54) **BOTTLE OPENER**
- (71) Applicant: **Paul A. Marcial**, Royal Oak, MI (US)
- (72) Inventor: **Paul A. Marcial**, Royal Oak, MI (US)
- (**) Term: **15 Years**
- (21) Appl. No.: **29/587,603**
- (22) Filed: **Dec. 14, 2016**

2,786,268	A *	3/1957	Johnson	B67B 7/24
					30/448
D218,272	S *	8/1970	Bothe	7/169
D270,121	S *	8/1983	Brown	D11/133
D363,089	S *	10/1995	Noreika	D19/90
D396,791	S *	8/1998	Gray	D8/102
D408,757	S *	4/1999	Stones	D11/132
D426,983	S *	6/2000	Santoviz, Jr.	D6/552
D482,211	S *	11/2003	Berry	D6/658
7,343,835	B2 *	3/2008	Jensen	B67B 7/18
					81/3.09
D673,433	S *	1/2013	Barnhart	D8/16
D730,131	S *	5/2015	Cornell	D8/19
D766,687	S *	9/2016	Arcomano	D8/18

Related U.S. Application Data

- (63) Continuation of application No. 15/143,767, filed on May 2, 2016.
- (51) **LOC (10) Cl.** **07-99**
- (52) **U.S. Cl.**
USPC **D8/38**
- (58) **Field of Classification Search**
USPC D8/14, 16, 18, 19, 33-43, 98, 88, 89,
D8/107, 300, 301, 306-309, DIG. 10
CPC B67B 7/00; B67B 7/04; B67B 7/14; B67B
7/16; B67B 7/18; B67B 7/20; B67B 7/24;
B67B 7/30; B67B 7/34; B67B 7/36;
B67B 7/44
See application file for complete search history.

* cited by examiner

Primary Examiner — Elizabeth Albert

(74) *Attorney, Agent, or Firm* — The Weintraub Group, P.L.C.

(57) **CLAIM**

The ornamental design for a bottle opener, as shown.

DESCRIPTION

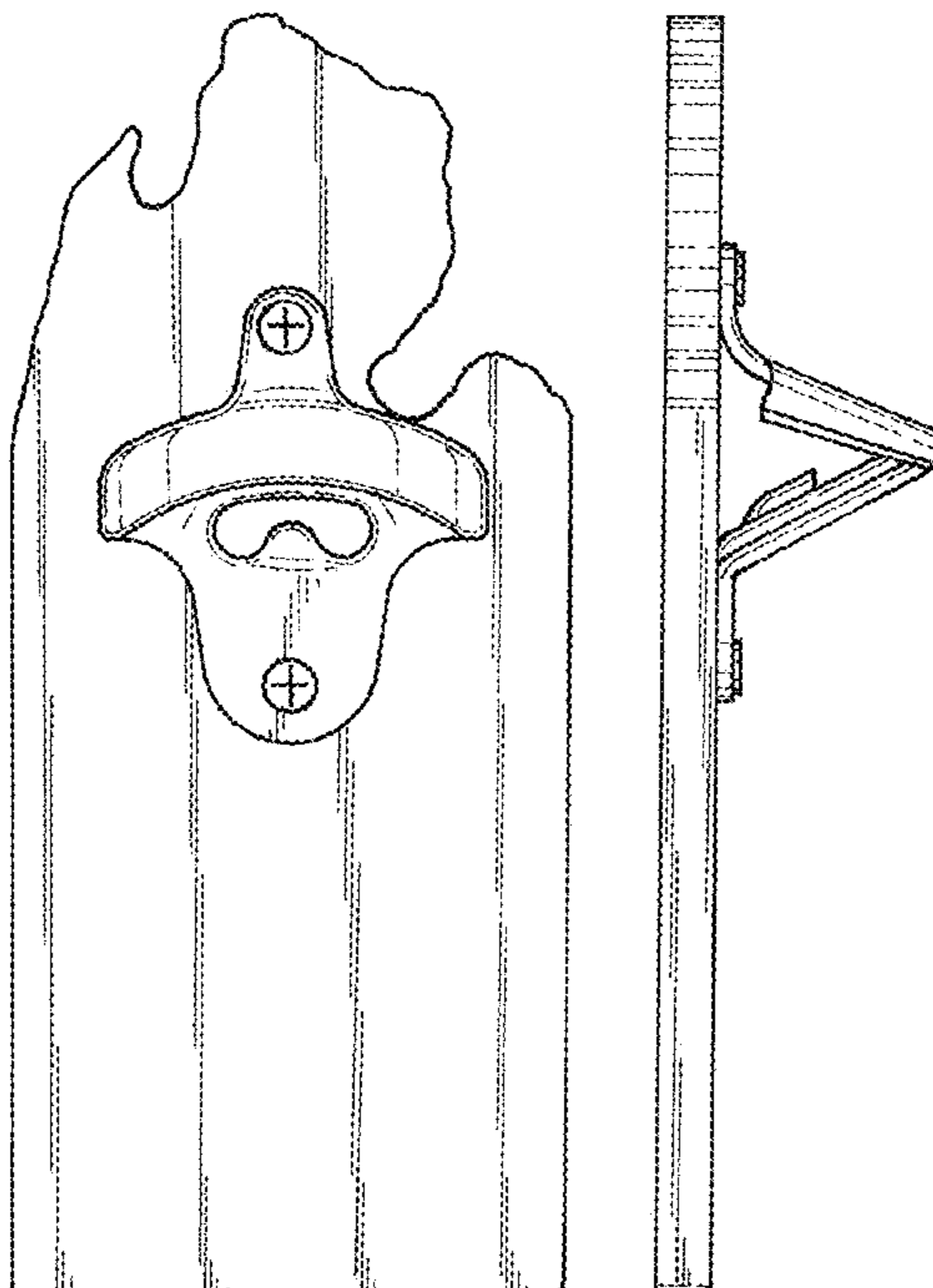
FIG. 1 is a perspective view of a bottle opener showing my new design;
 FIG. 2 is a front elevational view thereof;
 FIG. 3 is a back elevational view thereof;
 FIG. 4 is a top plan view thereof;
 FIG. 5 is a bottom plan view thereof;
 FIG. 6 is a right side elevational view thereof; and,
 FIG. 7 is a left side elevational view thereof.
 The broken line in FIG. 3 is included to show a portion of the bottle opener that forms no part of the claimed design.

(56) **References Cited**

U.S. PATENT DOCUMENTS

1,534,211	A *	4/1925	Hamilton	B67B 7/16
					81/3.27
1,996,696	A *	4/1935	Brown	B67B 7/44
					81/3.09
2,678,164	A *	5/1954	Flores	B67B 7/16
					235/91 R

1 Claim, 5 Drawing Sheets



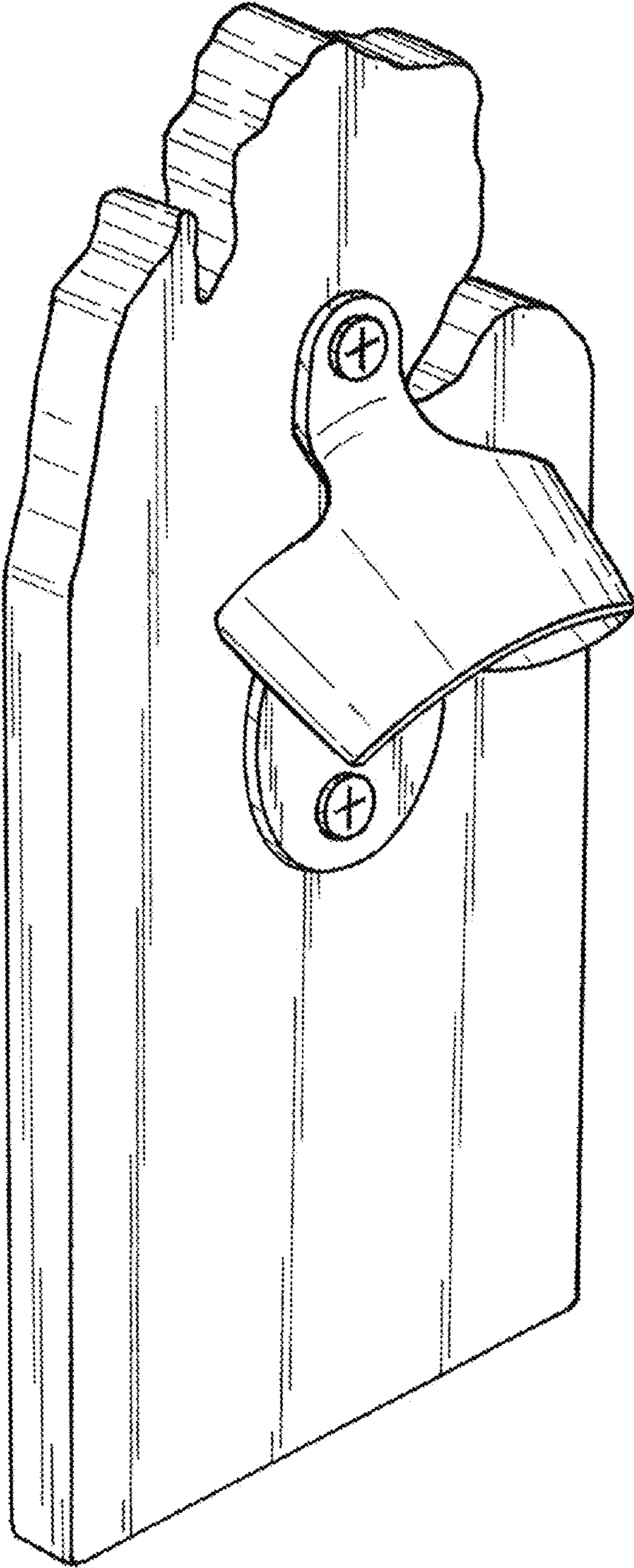


FIG.1

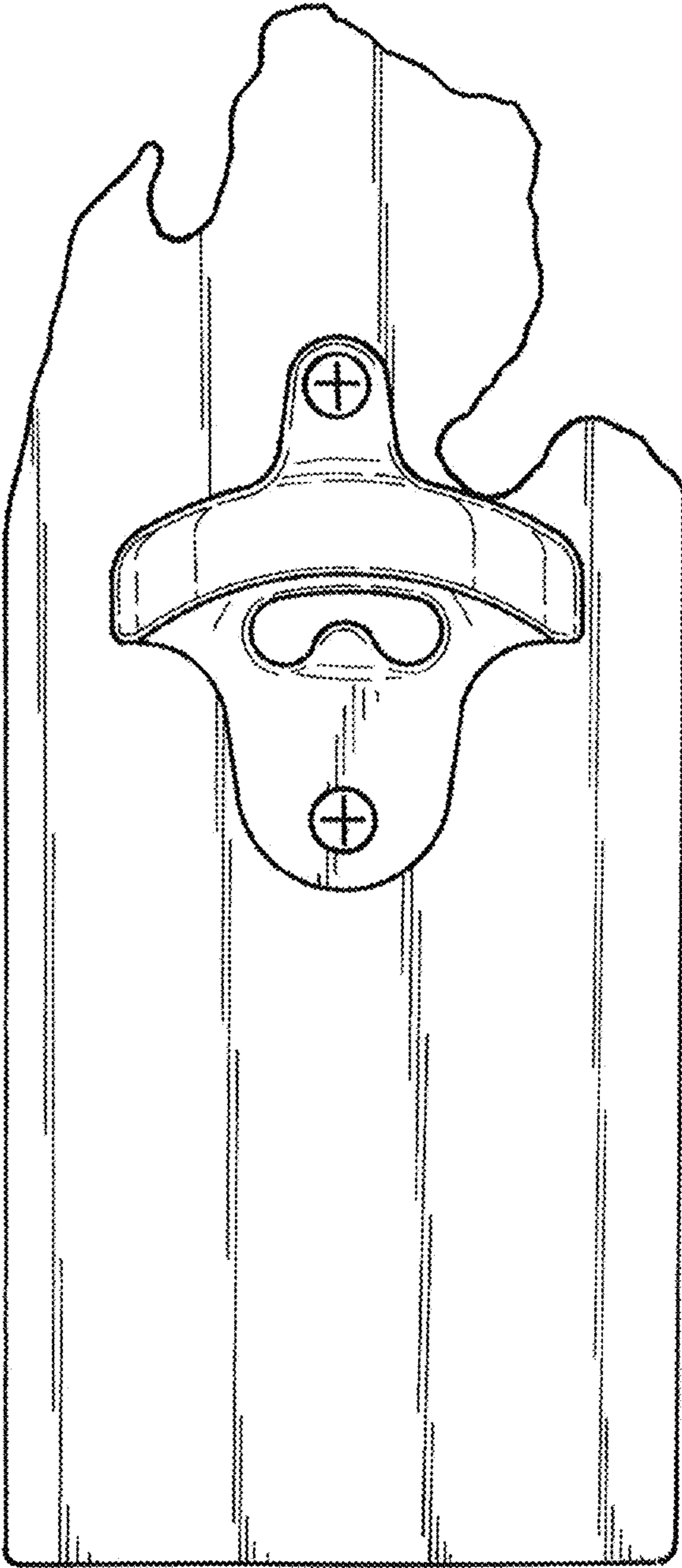


FIG.2

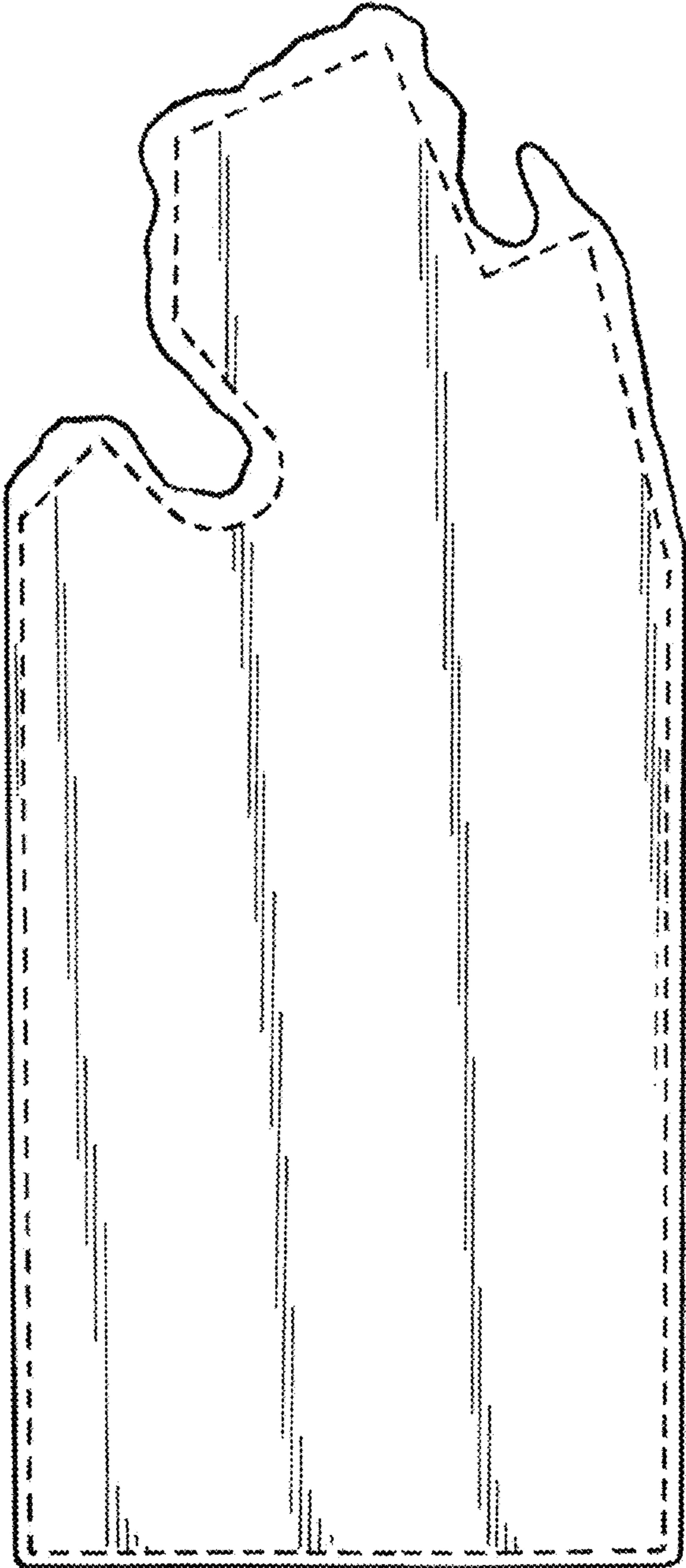


FIG.3

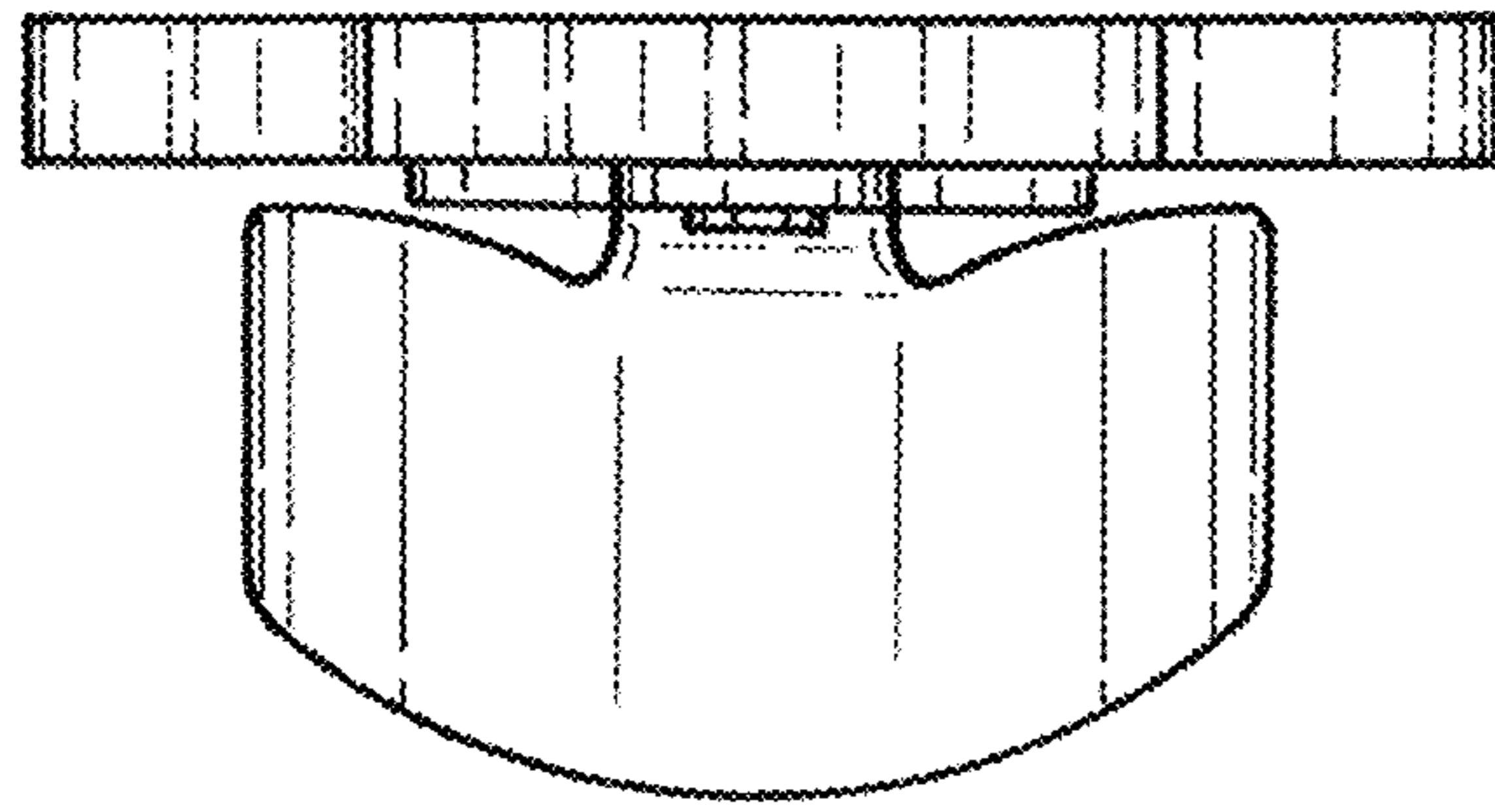


FIG. 4

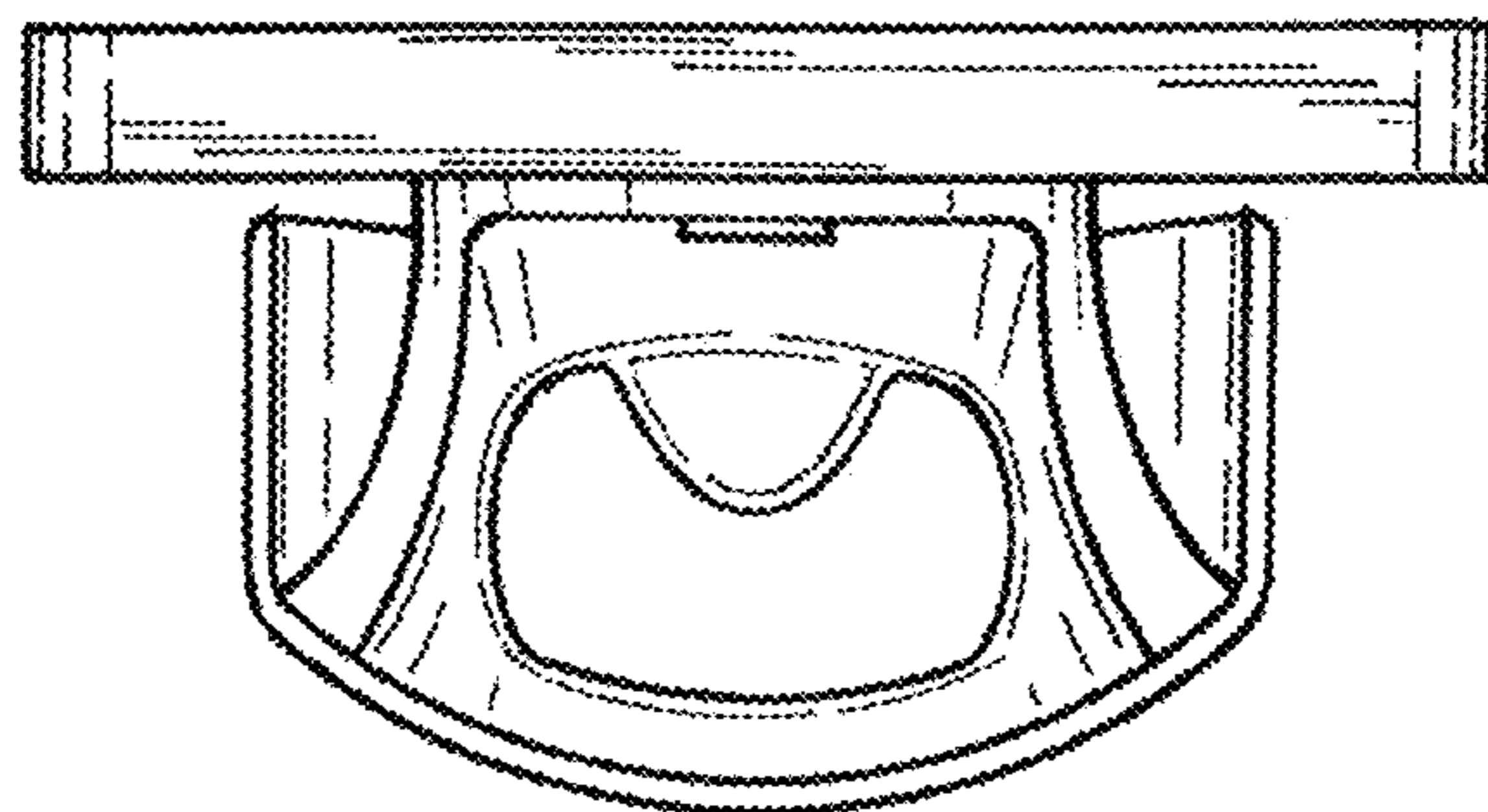


FIG. 5

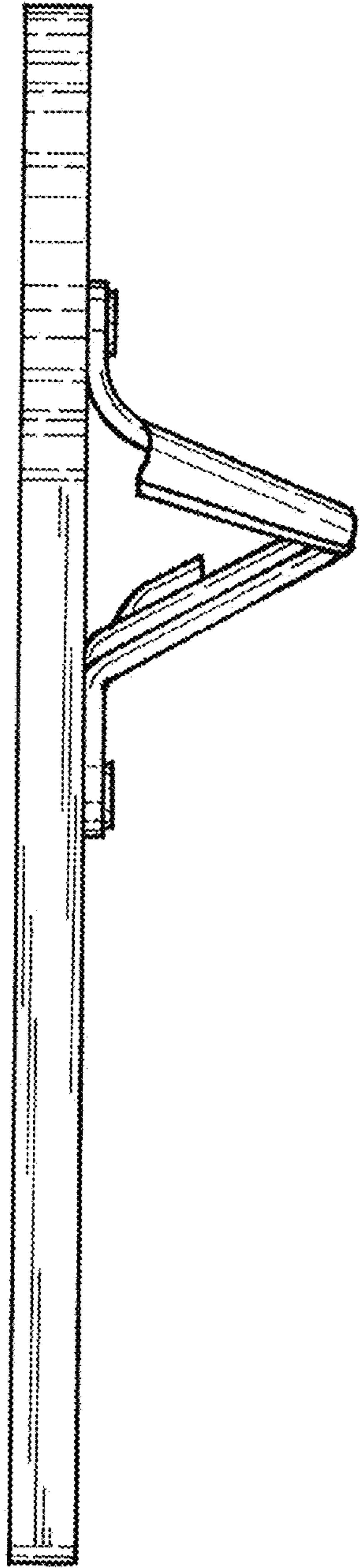


FIG. 6

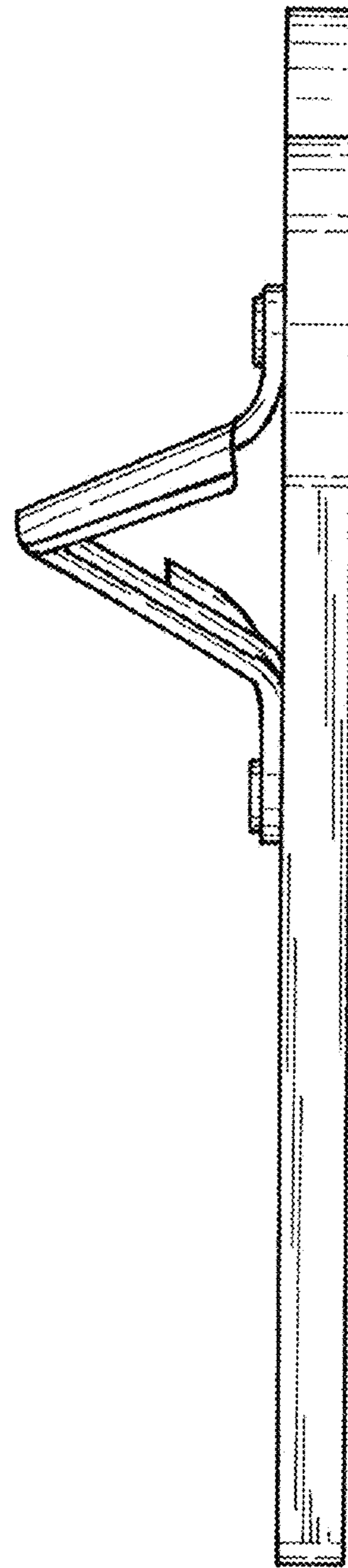


FIG. 7