



US00D802387S

(12) **United States Design Patent**  
**Tinius**

(10) **Patent No.:** **US D802,387 S**

(45) **Date of Patent:** **\*\* Nov. 14, 2017**

- (54) **CORDLESS HEDGE TRIMMER**
- (71) Applicant: **Andreas Stihl AG & Co. KG**,  
Waiblingen (DE)
- (72) Inventor: **Michael Tinius**, Ulm (DE)
- (73) Assignee: **Andreas Stihl AG & Co. KG**,  
Waiblingen (DE)

6,973,726	B2	12/2005	Kramer
D522,818	S	6/2006	Andriolo
D543,805	S	6/2007	Houghton
D560,983	S	2/2008	Tinius
D580,238	S	11/2008	Murray
D580,239	S	11/2008	Murray
D580,240	S	11/2008	Murray
D582,225	S	12/2008	Bochmann et al.
D606,829	S	12/2009	Tinius
D623,487	S *	9/2010	Tinius ..... D8/8
D624,371	S *	9/2010	Tinius ..... D8/8
D670,144	S	11/2012	Tinius
D711,700	S *	8/2014	Mehra ..... D8/65

(Continued)

- (\*\*) Term: **15 Years**
- (21) Appl. No.: **29/548,442**
- (22) Filed: **Dec. 14, 2015**

*Primary Examiner* — Sandra Snapp  
*Assistant Examiner* — Ieisha Price  
 (74) *Attorney, Agent, or Firm* — McGuireWoods LLP

(30) **Foreign Application Priority Data**

Aug. 6, 2015 (EM) ..... 002750455-0006

(51) **LOC (10) Cl.** ..... **08-01**

(52) **U.S. Cl.**  
USPC ..... **D8/8; D8/65**

(58) **Field of Classification Search**  
 USPC ..... D8/1, 7, 8, 9, 499; D15/1, 17  
 CPC ..... B27B 17/00; B27B 17/08; B27B 17/0008;  
 B25F 5/02; Y10T 83/9324; A01D 34/01;  
 A01D 34/416; A01D 34/4161; A01D  
 34/84; A01D 34/90; A01G 3/06; A01G  
 3/053; A01G 3/067; A01G 3/0535; A01G  
 3/00; A01G 3/062

See application file for complete search history.

(56) **References Cited**

**U.S. PATENT DOCUMENTS**

D372,407	S	8/1996	Haneda et al.
D460,667	S	7/2002	Waldron
D462,882	S	9/2002	Evans
D463,228	S	9/2002	Cooper
D463,229	S	9/2002	Gabriel
D468,600	S	1/2003	Evans
D505,602	S	5/2005	Houghton

(57) **CLAIM**

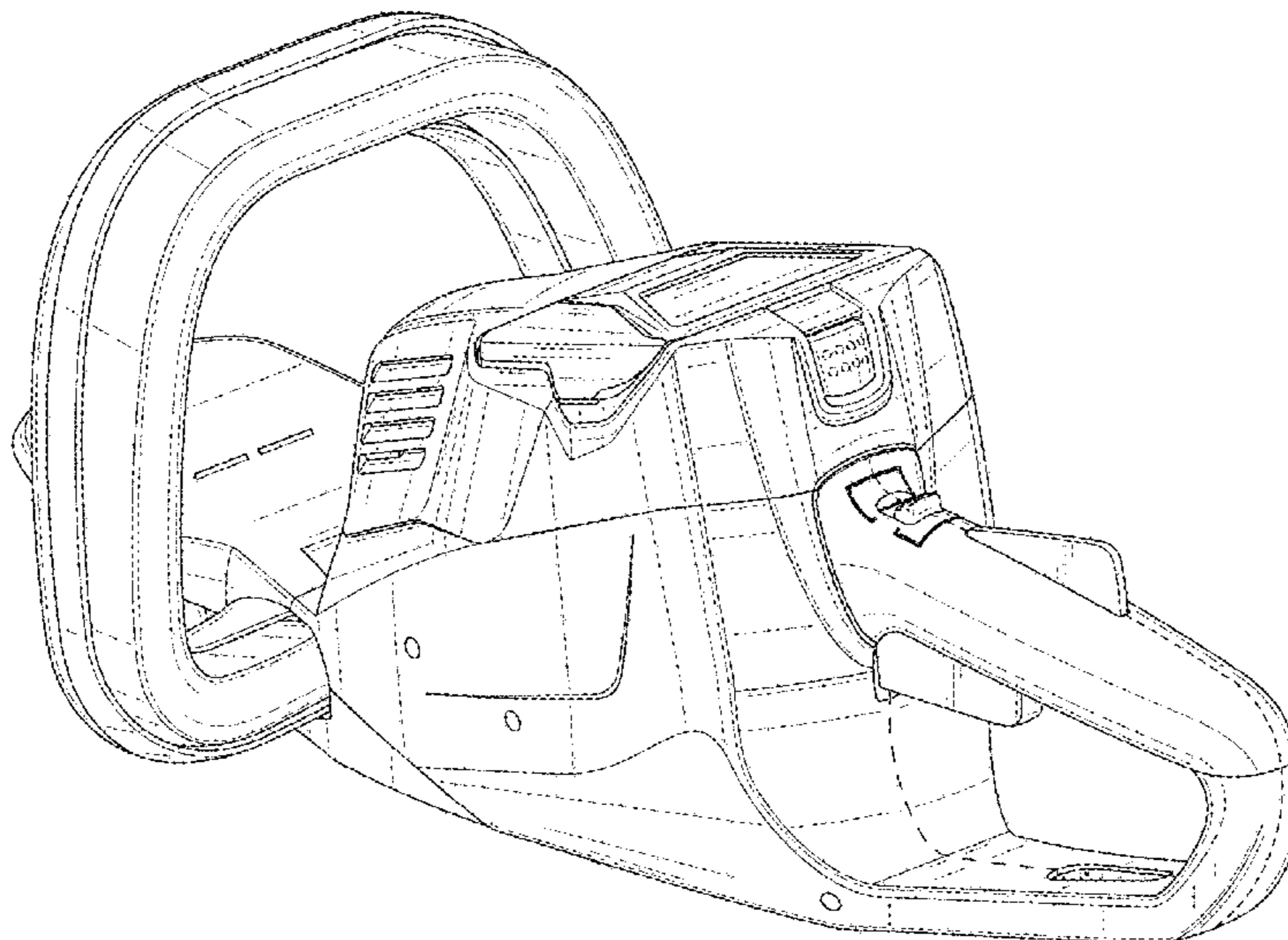
I claim the ornamental design for a cordless hedge trimmer, as shown and described.

**DESCRIPTION**

FIG. 1 is a right perspective view of the cordless hedge trimmer;  
 FIG. 2 is a front view of the cordless hedge trimmer shown in FIG. 1;  
 FIG. 3 is a rear view of the cordless hedge trimmer shown in FIG. 1;  
 FIG. 4 is a left side view of the cordless hedge trimmer shown in FIG. 1;  
 FIG. 5 is a right side view of the cordless hedge trimmer shown in FIG. 1;  
 FIG. 6 is a top view of the cordless hedge trimmer shown in FIG. 1; and,  
 FIG. 7 is a bottom view of the cordless hedge trimmer shown in FIG. 1.

The subject matter shown in dashed lines, and any surfaces of the design not shown, including interior surfaces, form no part of the claimed invention.

**1 Claim, 7 Drawing Sheets**



(56)

**References Cited**

U.S. PATENT DOCUMENTS

D761,066 S \* 7/2016 Mueller ..... D8/8  
D761,067 S \* 7/2016 Mueller ..... D8/8  
2010/0218385 A1\* 9/2010 Mang ..... A01G 3/053  
30/216  
2010/0218386 A1\* 9/2010 Ro kamp ..... A01G 3/053  
30/277.4  
2012/0204432 A1\* 8/2012 Martinsson ..... B27B 17/0008  
30/517  
2014/0007435 A1\* 1/2014 Untermann ..... A01G 3/053  
30/277.4  
2014/0215838 A1\* 8/2014 Bergquist ..... B27B 17/0008  
30/383  
2014/0290074 A1\* 10/2014 Takayanagi ..... B23D 57/023  
30/382

\* cited by examiner

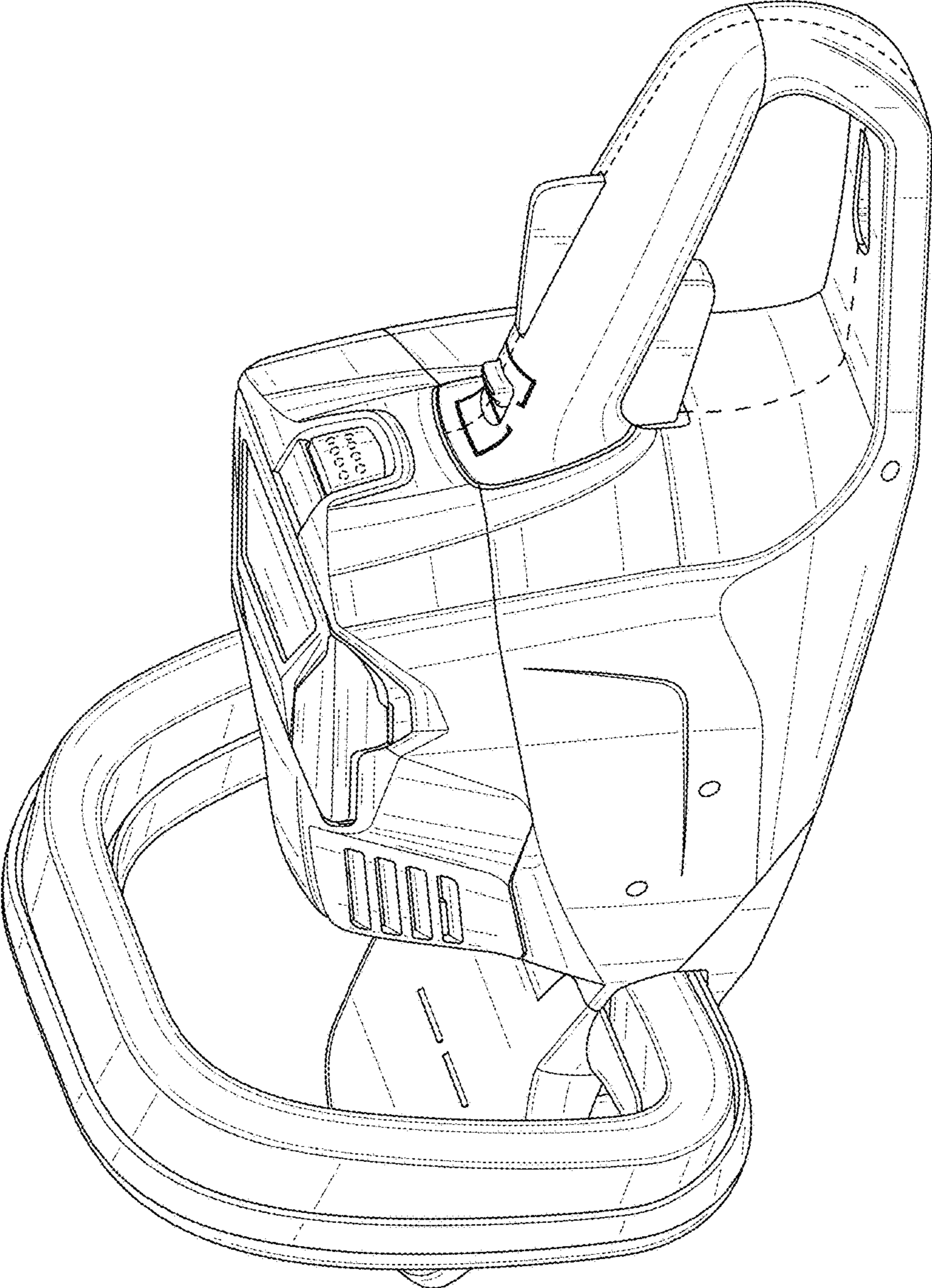


FIG. 1

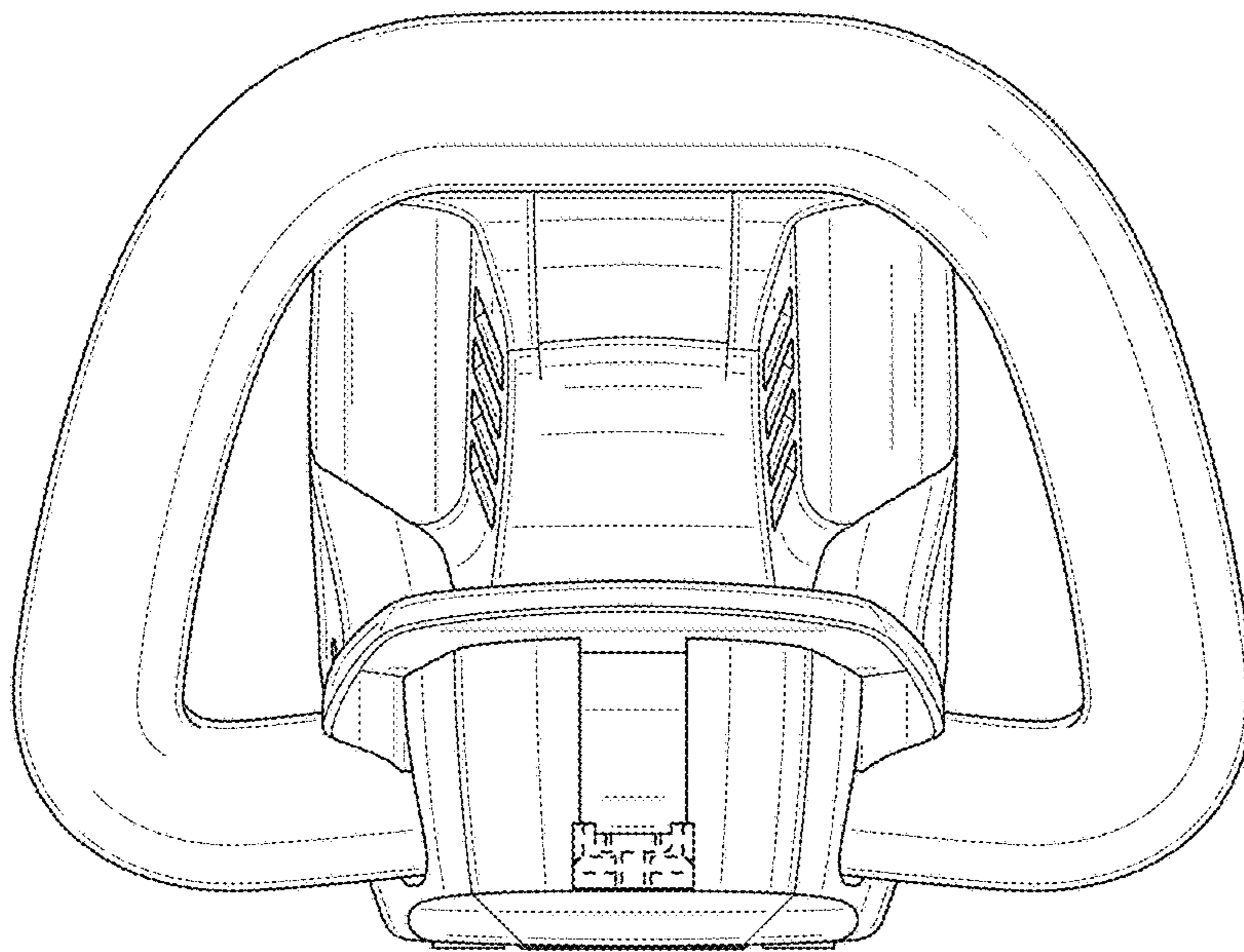


FIG. 2



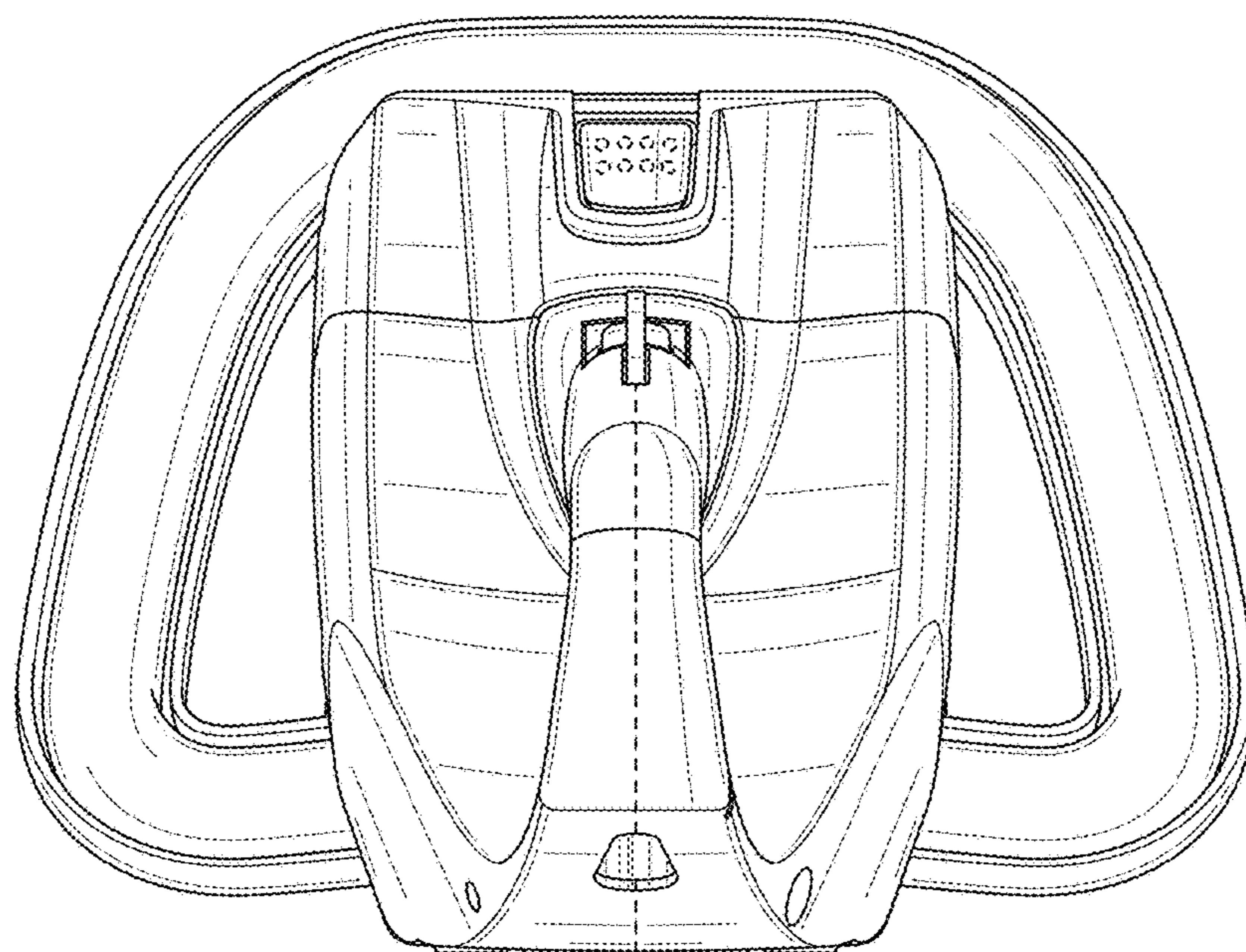


FIG. 3

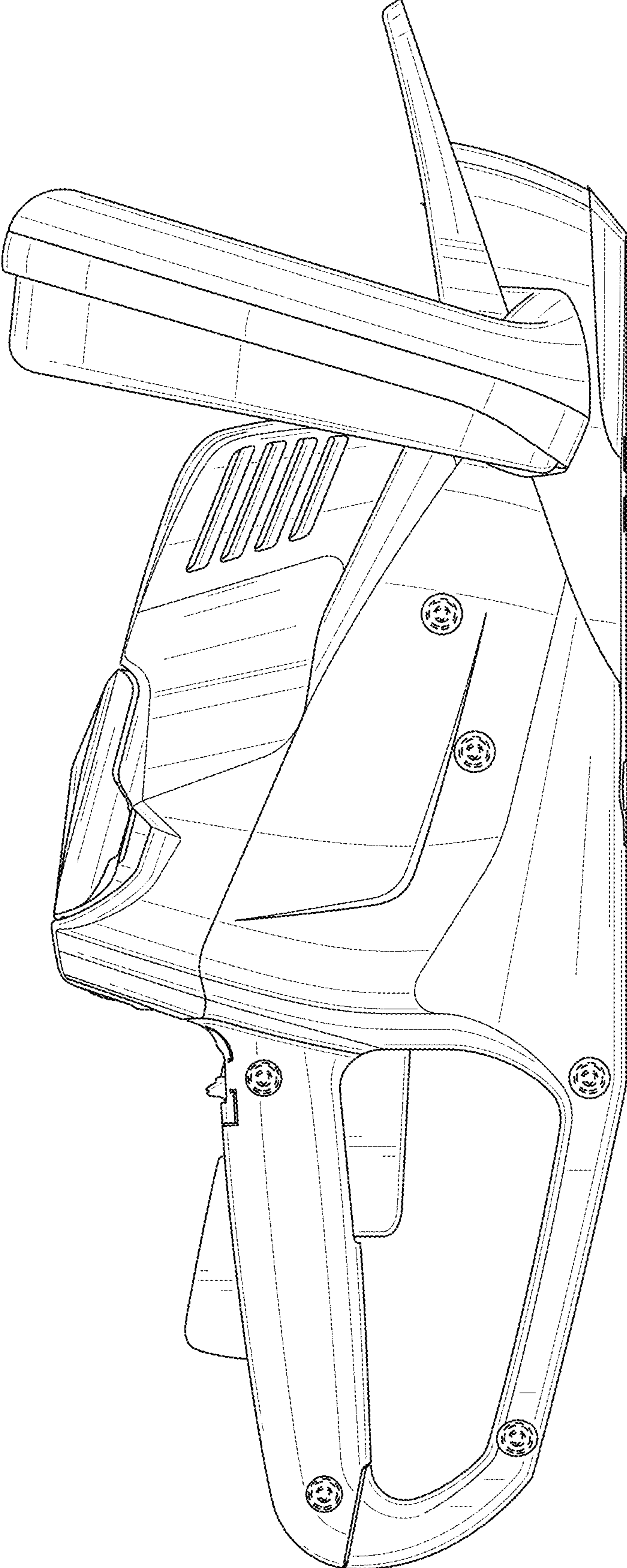


FIG. 4

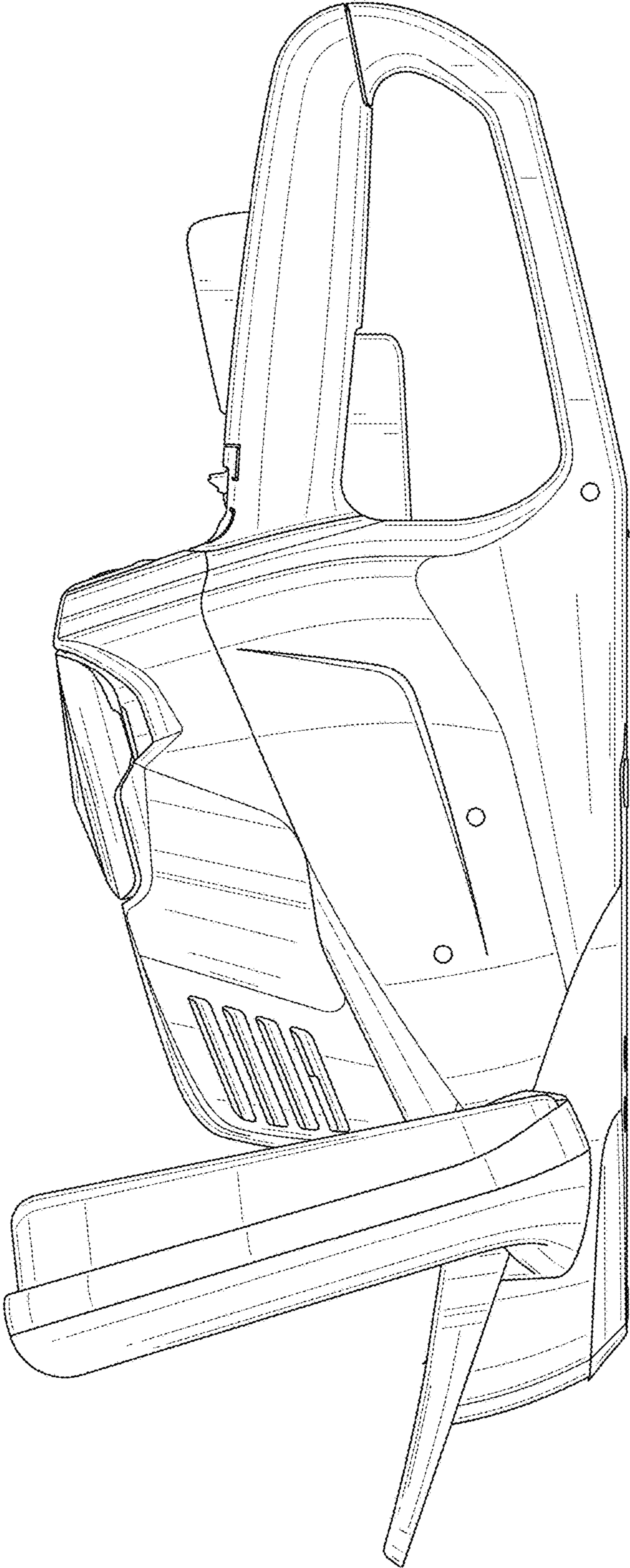


FIG. 5

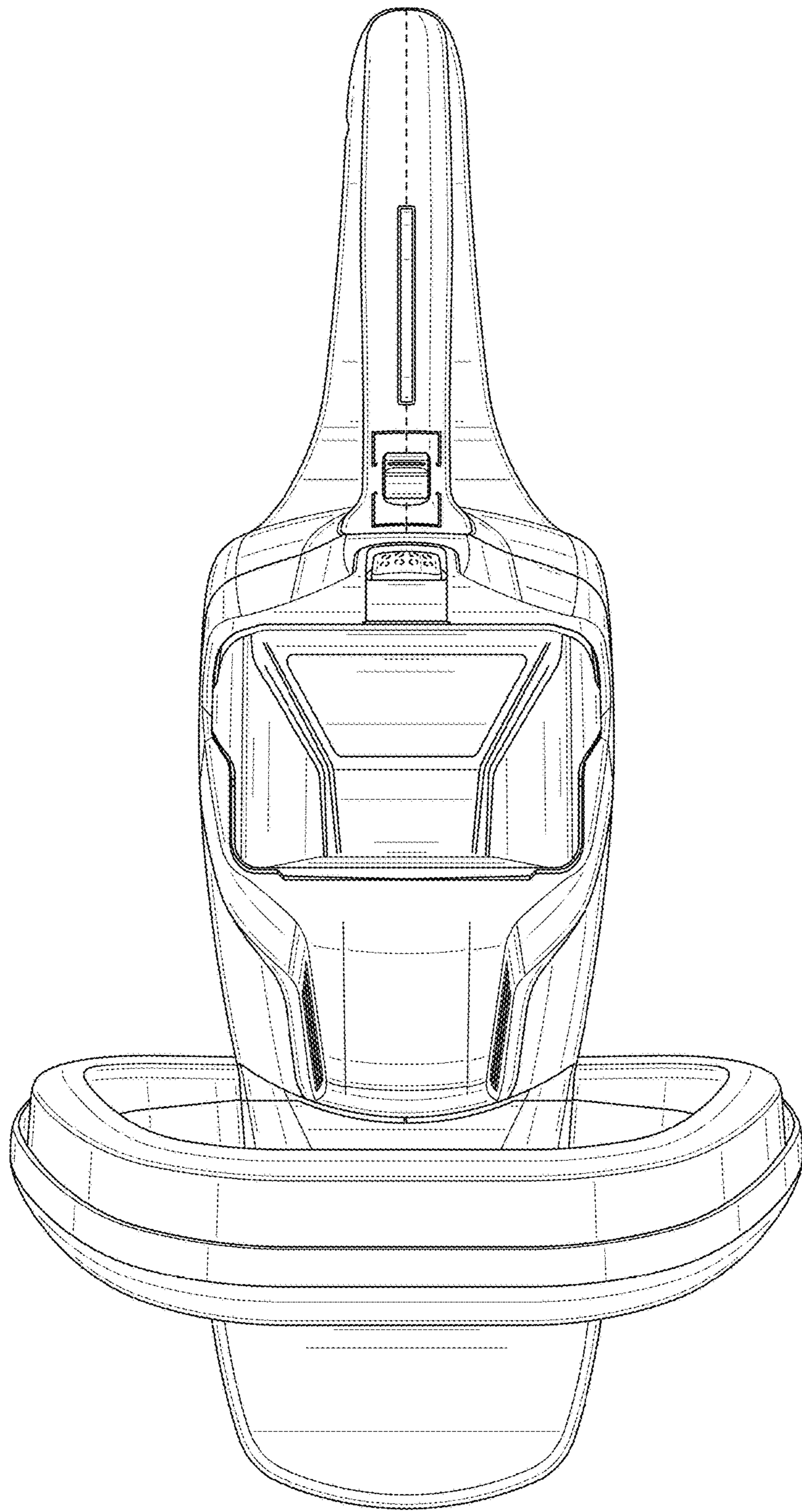


FIG. 6



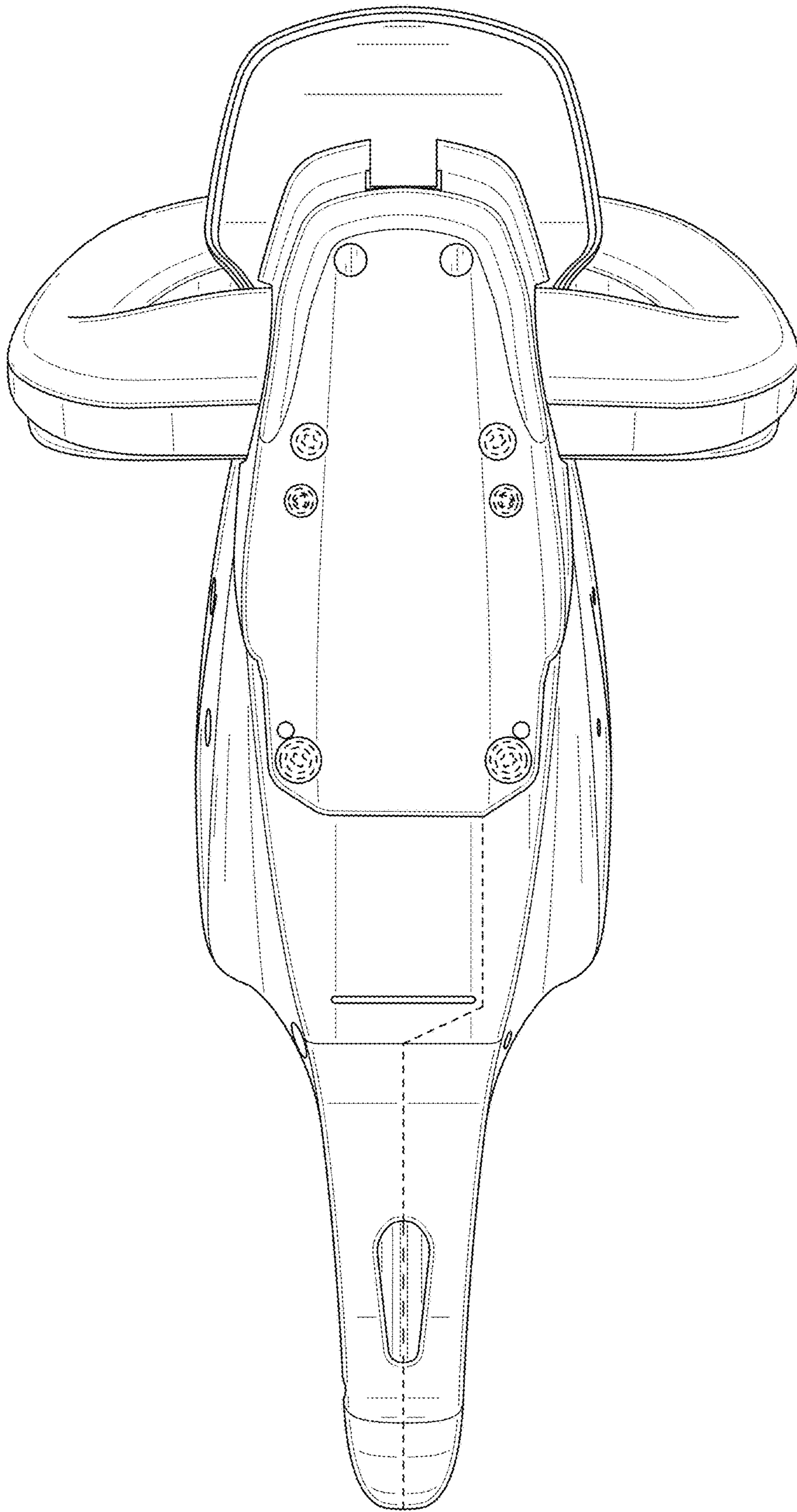


FIG. 7