



US00D802384S

(12) **United States Design Patent** (10) **Patent No.:** **US D802,384 S**
Wolf et al. (45) **Date of Patent:** **** Nov. 14, 2017**

(54) **LOPPER TOOL**
(71) Applicant: **Corona Clipper, Inc.**, Corona, CA (US)
(72) Inventors: **James Joseph Wolf**, Waconia, MN (US); **Craig Steven Agney**, Minneapolis, MN (US); **Timothy Edward Atnip**, Temecula, CA (US); **Anthony Magana**, Riverside, CA (US); **Christopher S. Daniels**, Columbus, OH (US); **Jeffrey R. Burger**, Bexley, OH (US)
(73) Assignee: **CORONA CLIPPER, INC.**, Corona, CA (US)
(**) Term: **15 Years**

5,511,314 A * 4/1996 Huang A01G 3/0251 30/249
5,761,815 A * 6/1998 Lin A01G 3/0251 30/140
5,771,584 A * 6/1998 Wang B26B 13/26 30/190
D401,485 S * 11/1998 Liao D8/5
D494,027 S * 8/2004 Lin D8/5
D494,430 S * 8/2004 Lin D8/5
D726,523 S * 4/2015 Atnip D8/98
2007/0079512 A1 * 4/2007 Nelson B25G 1/04 30/123.3
2011/0162213 A1 * 7/2011 Goetz A01G 3/0251 30/252
2012/0186087 A1 * 7/2012 Huang A01G 3/0251 30/252
2013/0185945 A1 * 7/2013 Wang B25G 1/04 30/341
2014/0215834 A1 * 8/2014 Wang A01G 3/0251 30/251

(21) Appl. No.: **29/575,243**
(22) Filed: **Aug. 23, 2016**
(51) **LOC (10) Cl.** **08-01**
(52) **U.S. Cl.**
USPC **D8/4**
(58) **Field of Classification Search**
USPC D8/1, 4, 5, 51, 52, 53, 54, 55, 56, 58, D8/105, 107
CPC B26B 13/00; B26B 13/06; B26B 13/08; B26B 13/12; B26B 13/14; B26B 13/16; B26B 13/20; B26B 13/26; B26B 13/28; B26B 17/00; A01G 3/00; A01G 3/02; A01G 3/021; A01G 3/025; A01G 3/0251; A01G 3/0475
See application file for complete search history.

(Continued)

Primary Examiner — Sandra Snapp
Assistant Examiner — Ieisha Price

(57) **CLAIM**

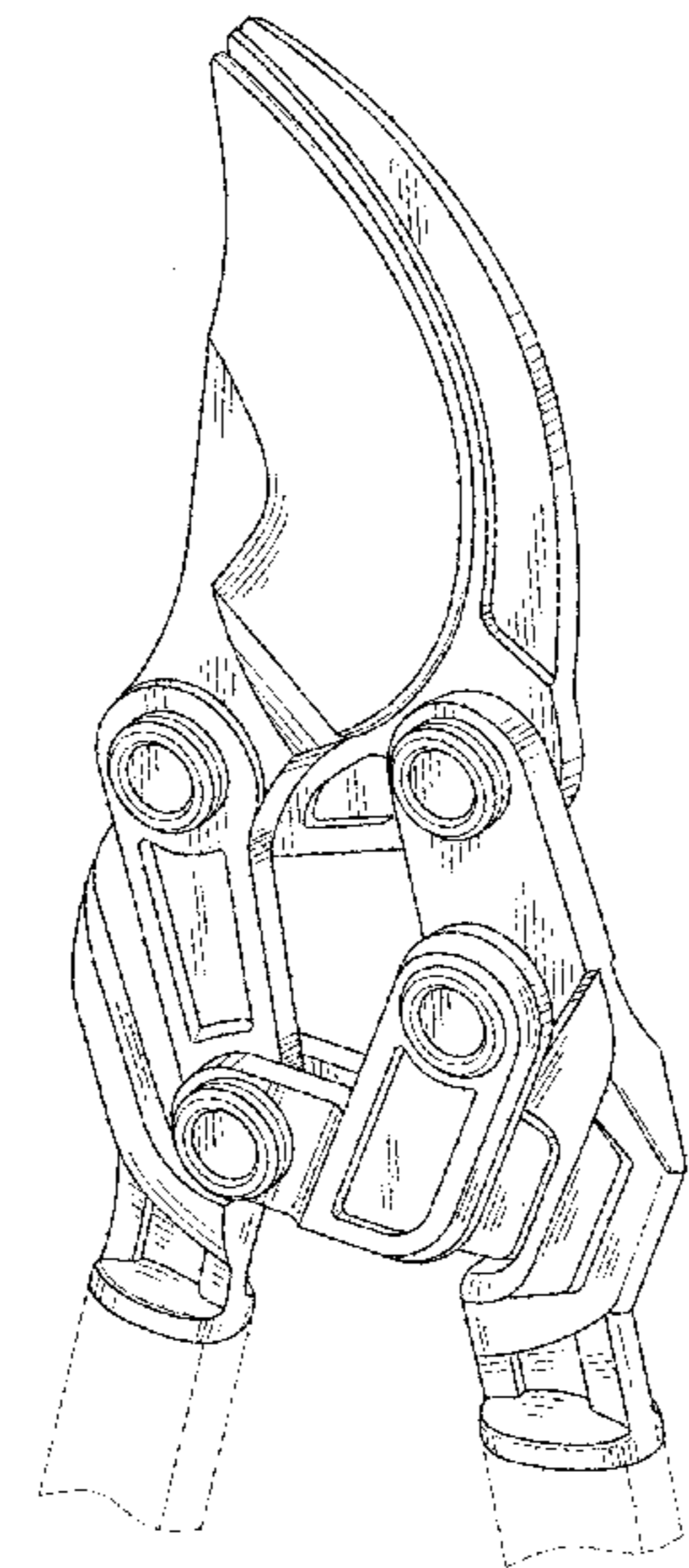
The ornamental design for a lopper tool, as shown and described.

DESCRIPTION

FIG. 1 is a perspective view of the lopper tool;
FIG. 2 is a right side view of the lopper tool;
FIG. 3 is a left side view of the lopper tool;
FIG. 4 is a top view of the lopper tool;
FIG. 5 is a bottom view of the lopper tool;
FIG. 6 is a front view of the lopper tool; and,
FIG. 7 is rear view of the lopper tool.
The matter displayed in dashed lines indicates context and does not form any part of the claimed design.

1 Claim, 5 Drawing Sheets

(56) **References Cited**
U.S. PATENT DOCUMENTS
3,736,661 A * 6/1973 Stewart B26B 13/26 30/192
5,325,591 A * 7/1994 Orthey A01G 3/0251 30/250



(56)

References Cited

U.S. PATENT DOCUMENTS

2015/0237809 A1* 8/2015 Lin A01G 3/021
30/252
2016/0113208 A1* 4/2016 Hsu B26B 13/26
30/251
2016/0120132 A1* 5/2016 Hsu A01G 3/021
30/251
2017/0086384 A1* 3/2017 Wang B25G 1/04

* cited by examiner

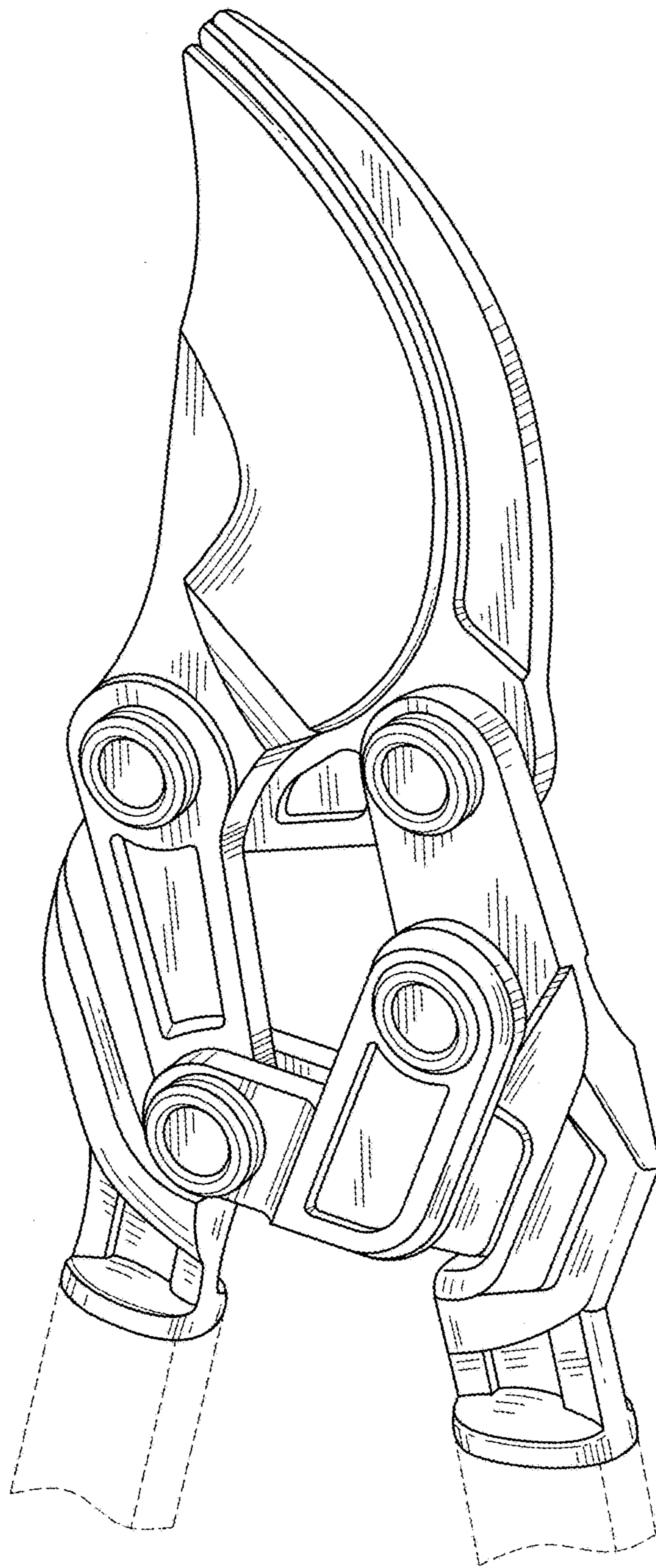


FIG. 1

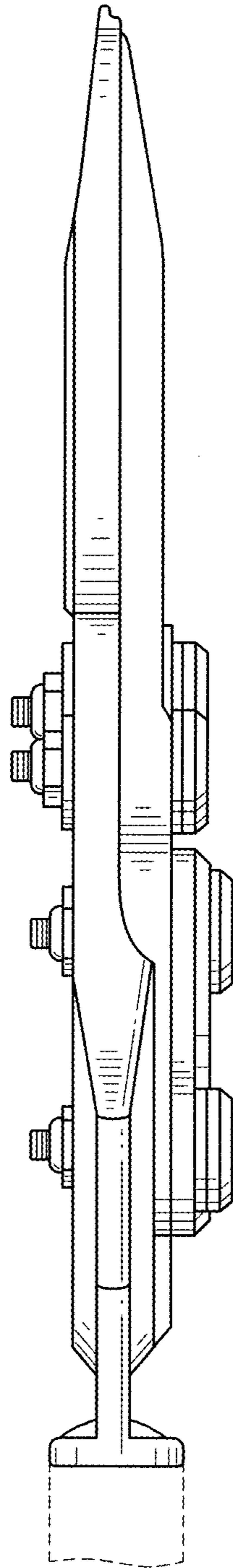


FIG. 2

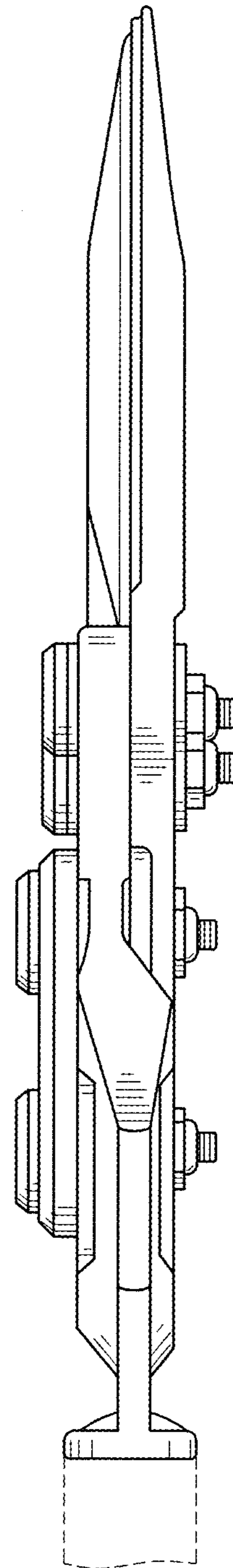


FIG. 3

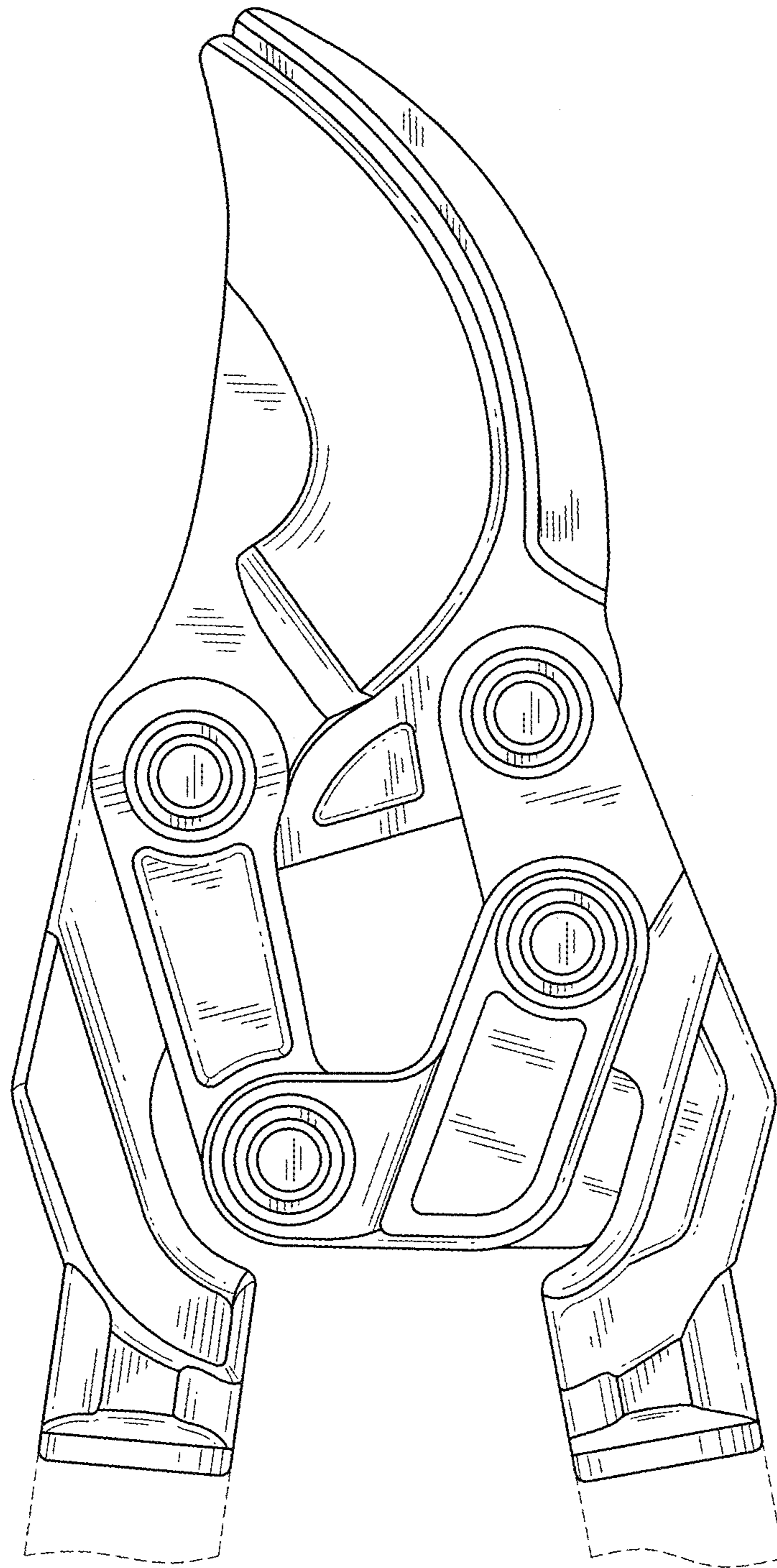


FIG. 4

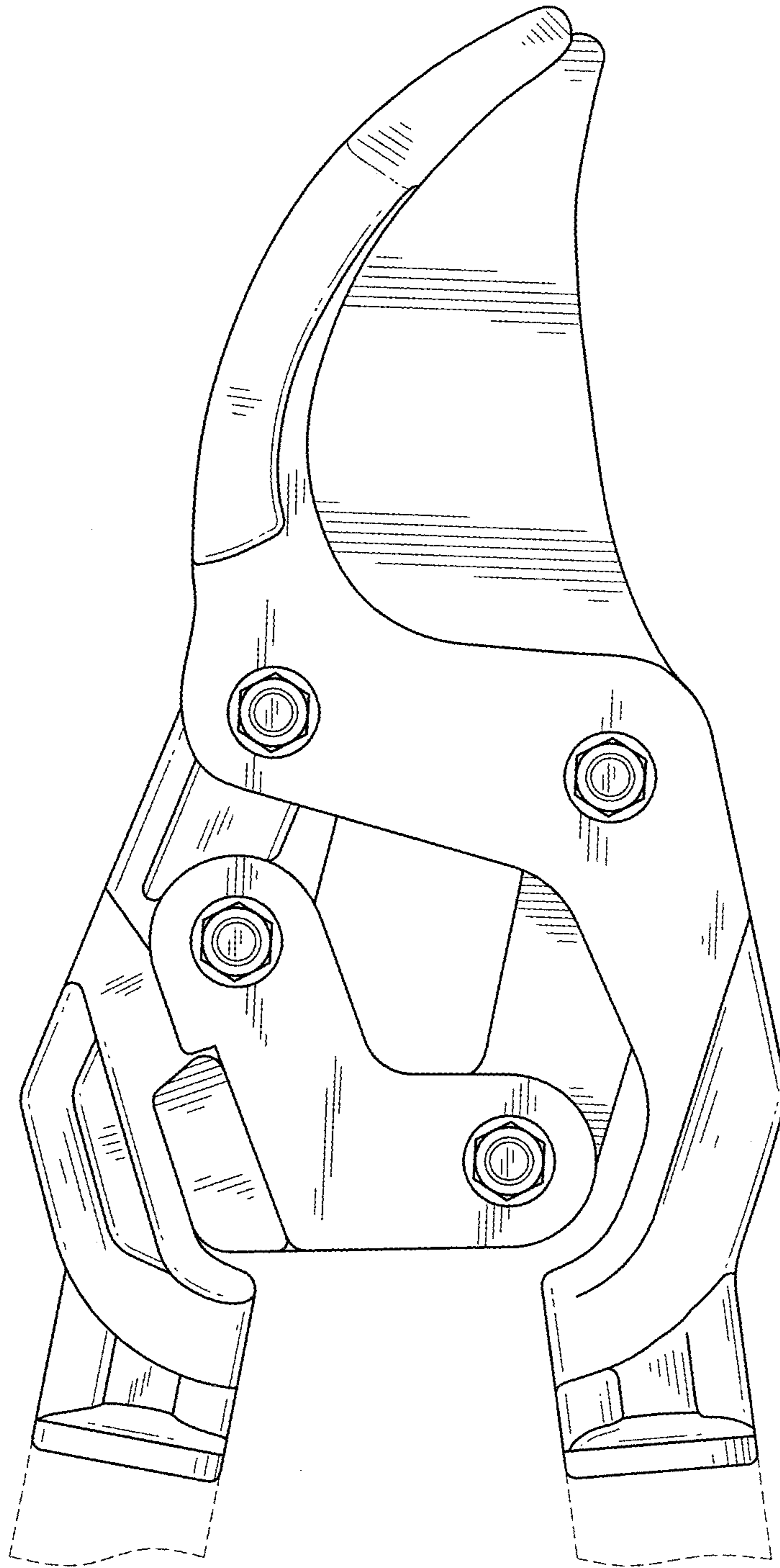


FIG. 5

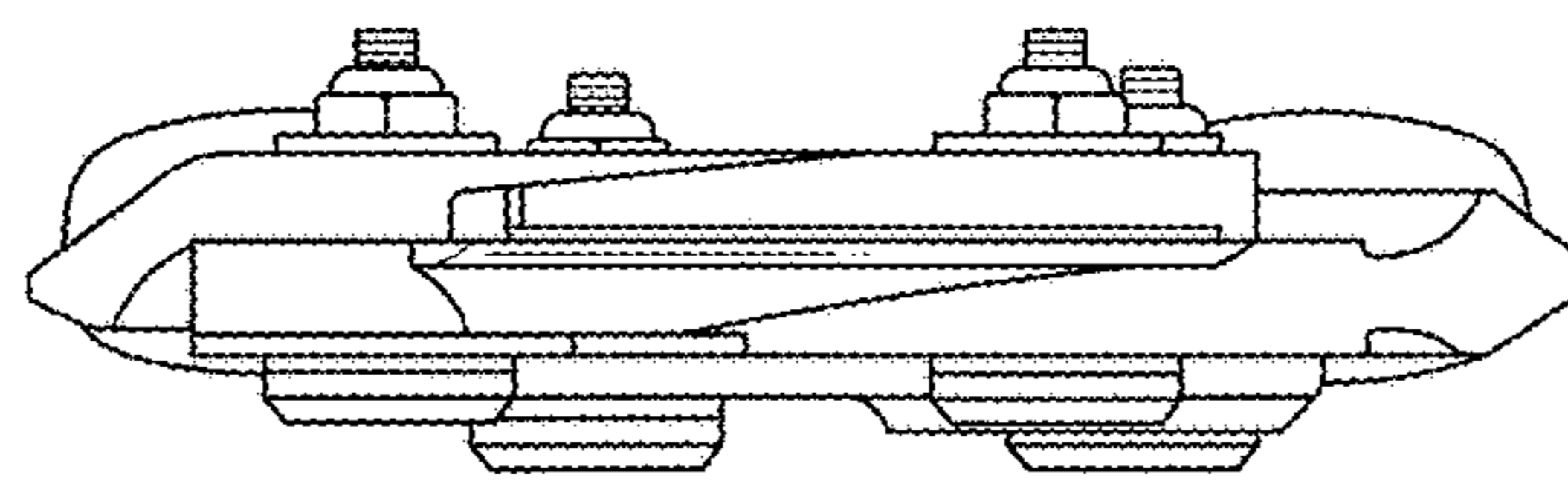


FIG. 6

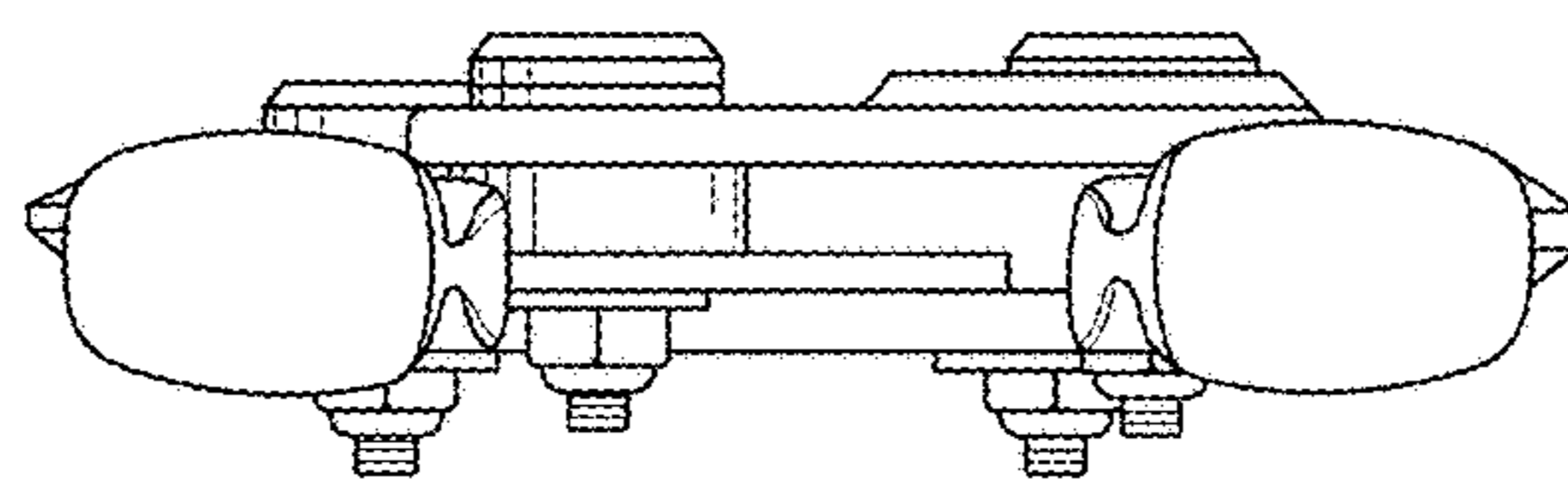


FIG. 7