



US00D802383S

(12) **United States Design Patent**
Wolf et al.

(10) **Patent No.:** **US D802,383 S**

(45) **Date of Patent:** **** Nov. 14, 2017**

(54) **PRUNING TOOL**

(71) Applicant: **Corona Clipper, Inc.**, Corona, CA (US)

(72) Inventors: **James Joseph Wolf**, Waconia, MN (US); **Craig Steven Agney**, Minneapolis, MN (US); **Timothy Edward Atnip**, Temecula, CA (US); **Anthony Magana**, Riverside, CA (US); **Christopher S. Daniels**, Columbus, OH (US); **Jeffrey R. Burger**, Bexley, OH (US); **Marcus Wayland Tang**, Millbrae, CA (US)

(73) Assignee: **CORONA CLIPPER, INC.**, Corona, CA (US)

(**) Term: **15 Years**

(21) Appl. No.: **29/574,833**

(22) Filed: **Aug. 18, 2016**

(51) **LOC (10) Cl.** **08-01**

(52) **U.S. Cl.**
USPC **D8/4**

(58) **Field of Classification Search**
USPC D8/1, 4, 5, 51, 52, 53, 54, 55, 56, 58, D8/105, 107

CPC B26B 13/00; B26B 13/06; B26B 13/08; B26B 13/12; B26B 13/14; B26B 13/16; B26B 13/20; B26B 13/26; B26B 13/28; B26B 17/00; A01G 3/00; A01G 3/02; A01G 3/021; A01G 3/025; A01G 3/0251; A01G 3/0475

See application file for complete search history.

(56) **References Cited**

U.S. PATENT DOCUMENTS

D367,410 S * 2/1996 Hortnagl D8/5
5,546,661 A * 8/1996 Yang A01G 3/02
30/146

D380,128 S * 6/1997 Wu D8/5
D413,496 S * 9/1999 Wu D8/5
D433,888 S * 11/2000 Choi D8/5
D438,071 S * 2/2001 Deville D8/5
D457,402 S * 5/2002 Heck D8/5
6,418,626 B1 * 7/2002 Jang A01G 3/02
30/254

D463,227 S * 9/2002 Choi D8/5
D496,838 S * 10/2004 Tomchak D8/5
D547,140 S * 7/2007 Shan D8/5
D638,673 S * 5/2011 Huang D8/5
8,726,523 B2 * 5/2014 Wang A01G 3/0251
30/245

2007/0144014 A1 * 6/2007 Toyama A01G 3/02
30/254

2011/0023309 A1 * 2/2011 Huang A01G 3/02
30/234

2017/0049060 A1 * 2/2017 Chou B26B 13/26

* cited by examiner

Primary Examiner — Sandra Snapp

Assistant Examiner — Ieisha Price

(57) **CLAIM**

The ornamental design for a pruning tool, as shown and described.

DESCRIPTION

FIG. 1 is a perspective view of the pruning tool; FIG. 2 is a right side view of the pruning tool; FIG. 3 is a left side view of the pruning tool; FIG. 4 is a top view of the pruning tool; FIG. 5 is a bottom view of the pruning tool; FIG. 6 is a front view of the pruning tool; and, FIG. 7 is rear view of the pruning tool.

The broken lines in the drawings illustrate portions of the pruning tool and form no part of the claimed design.

1 Claim, 5 Drawing Sheets

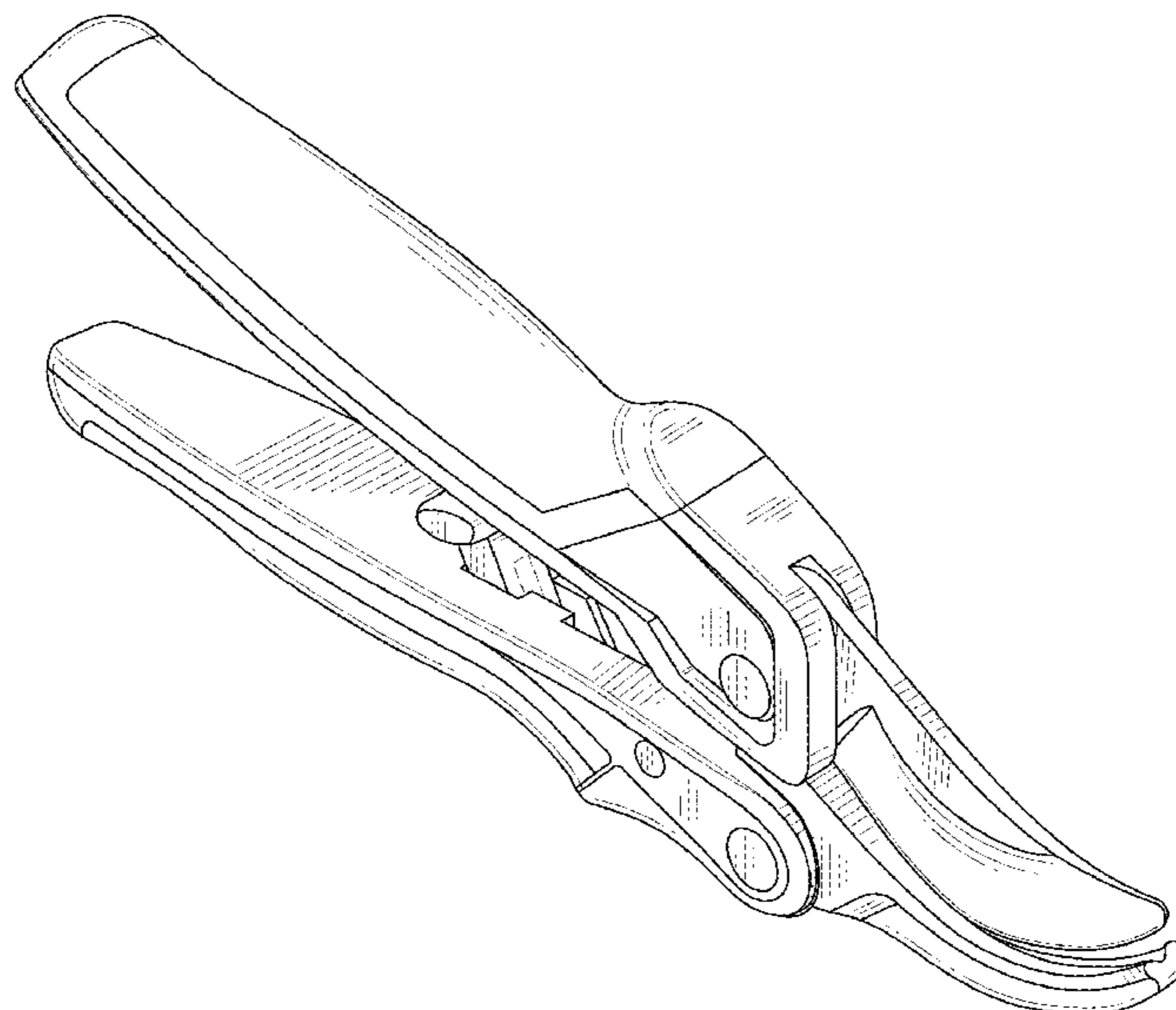
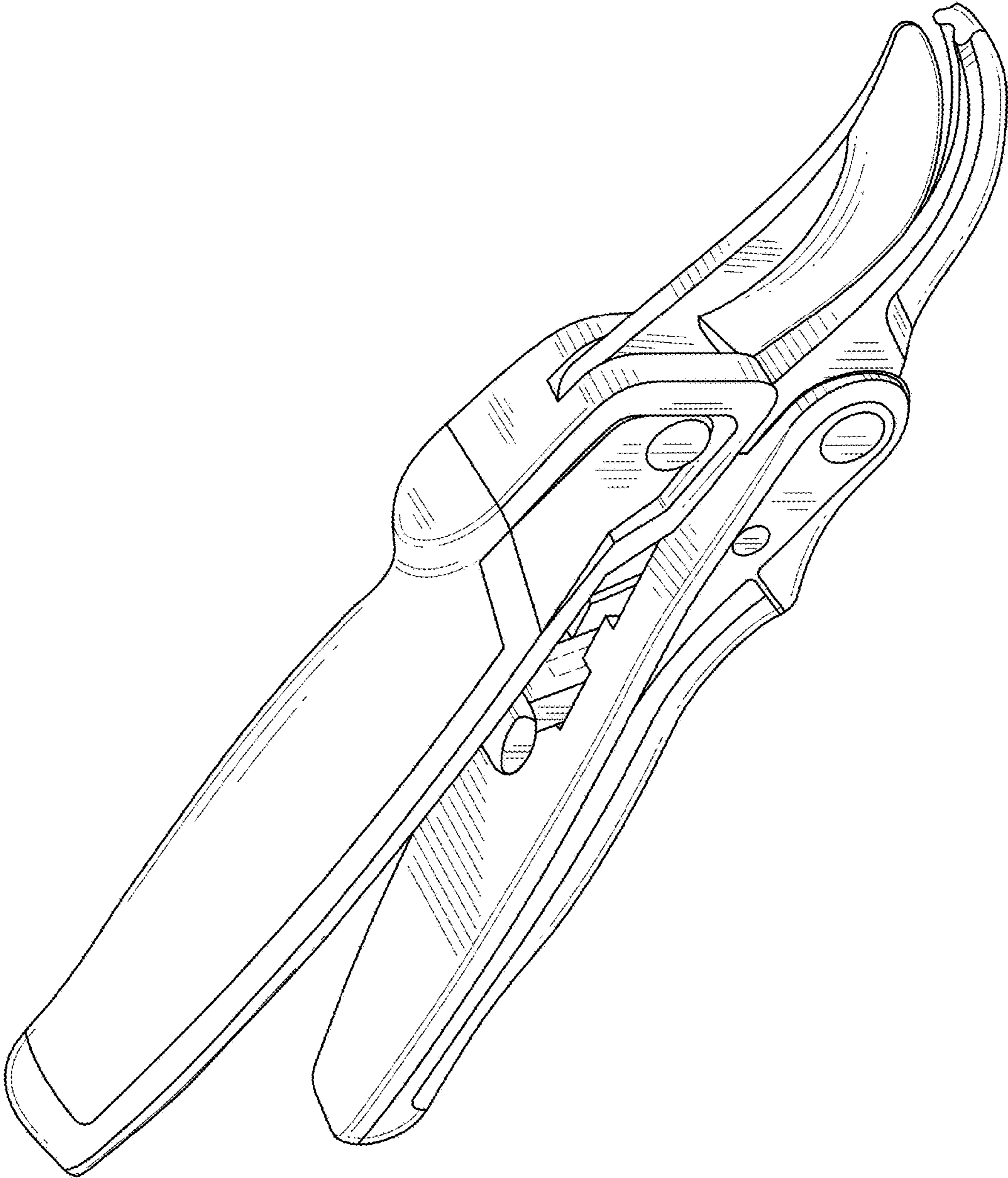


FIG. 1



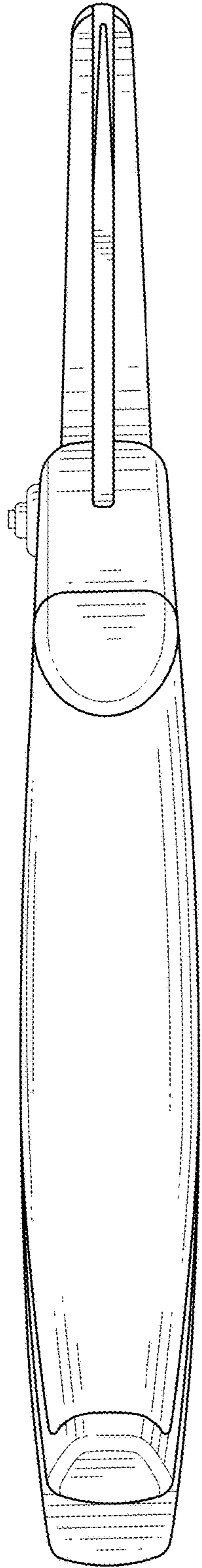


FIG. 2

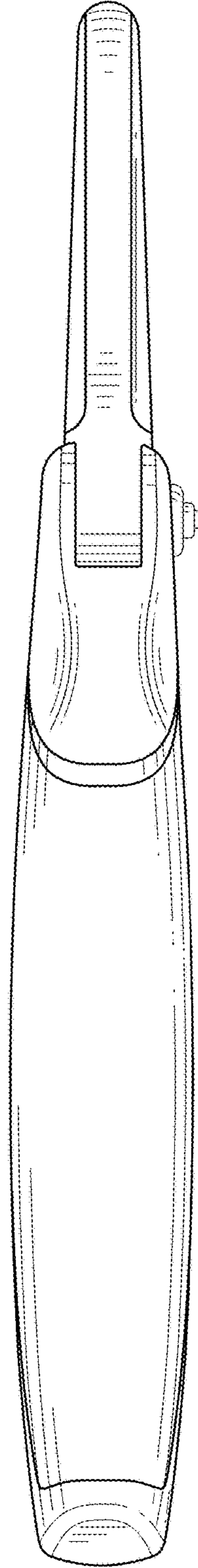


FIG. 3

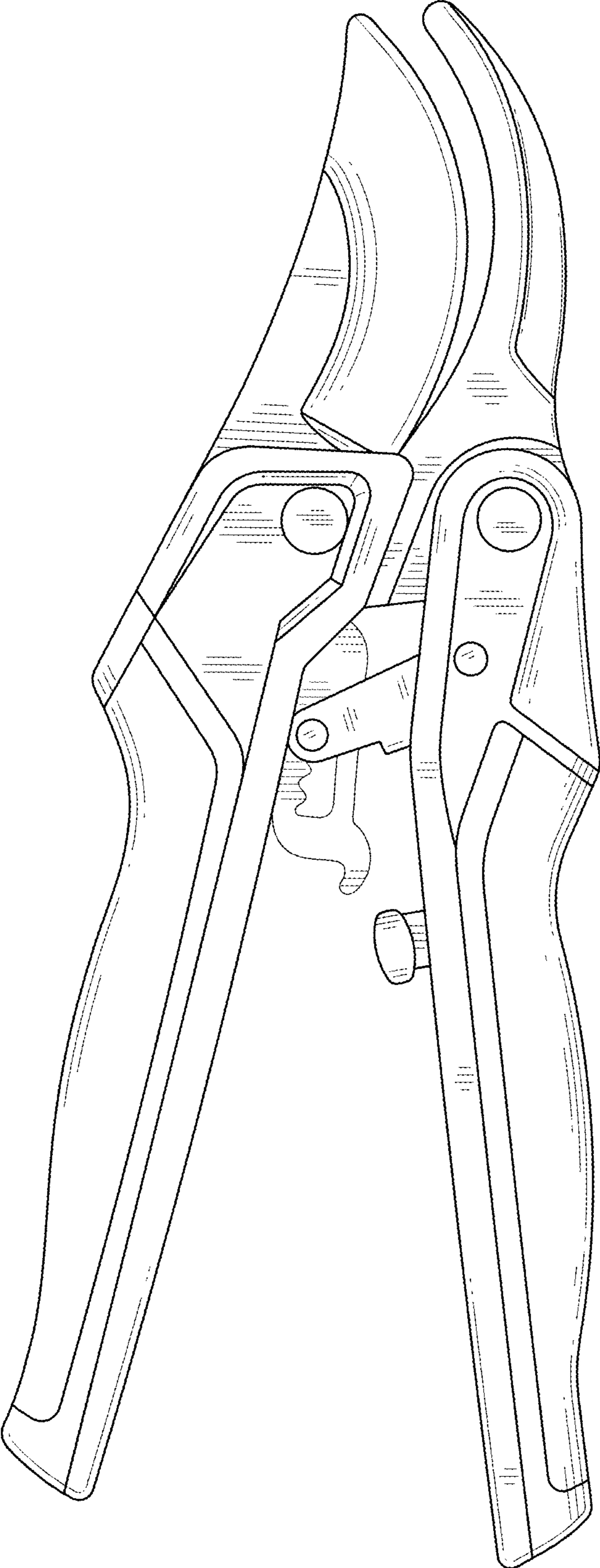


FIG. 4

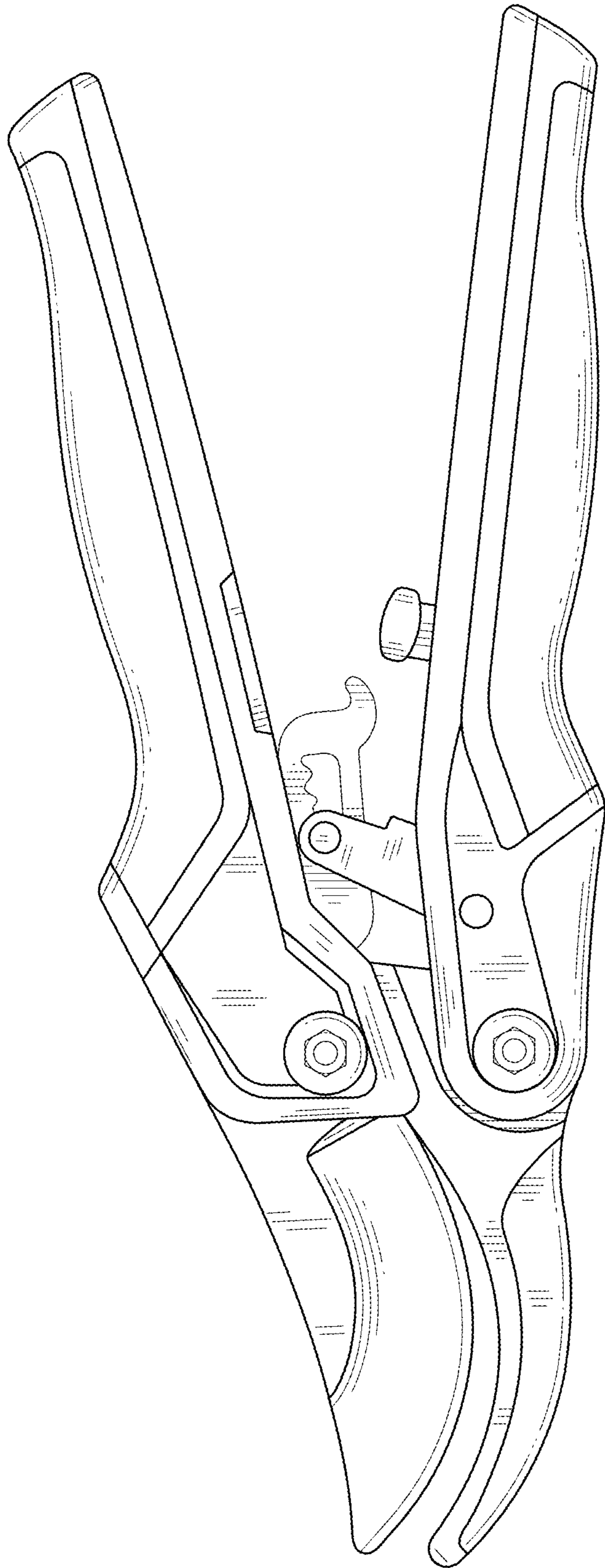


FIG. 5

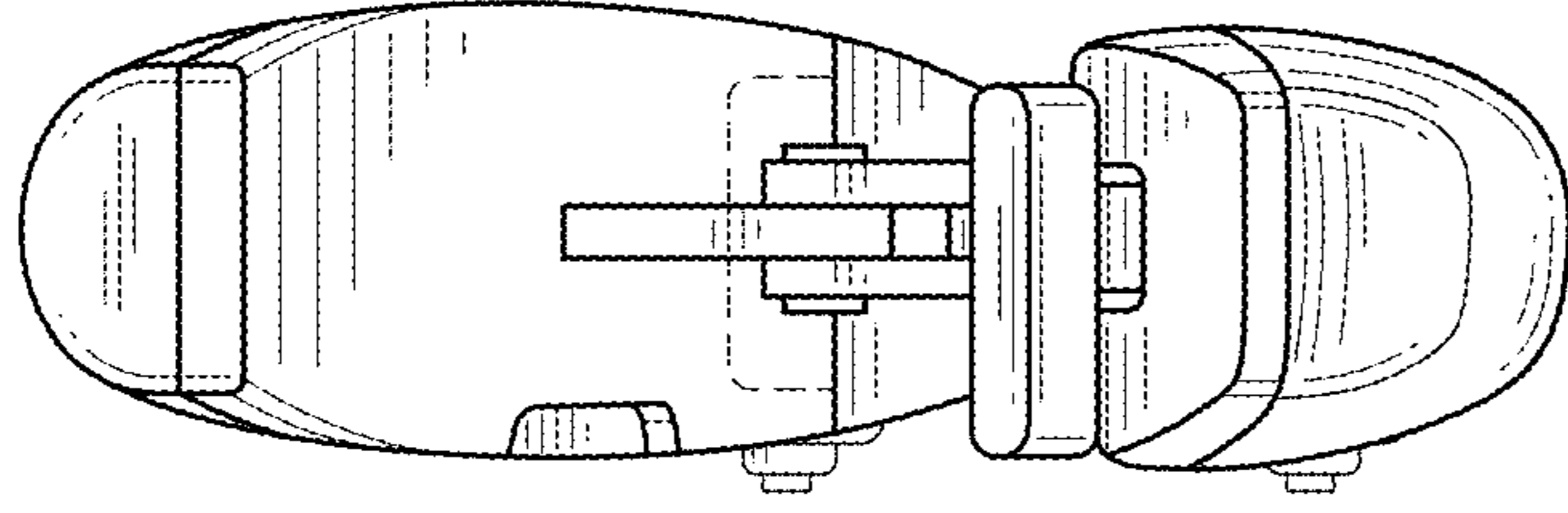


FIG. 7

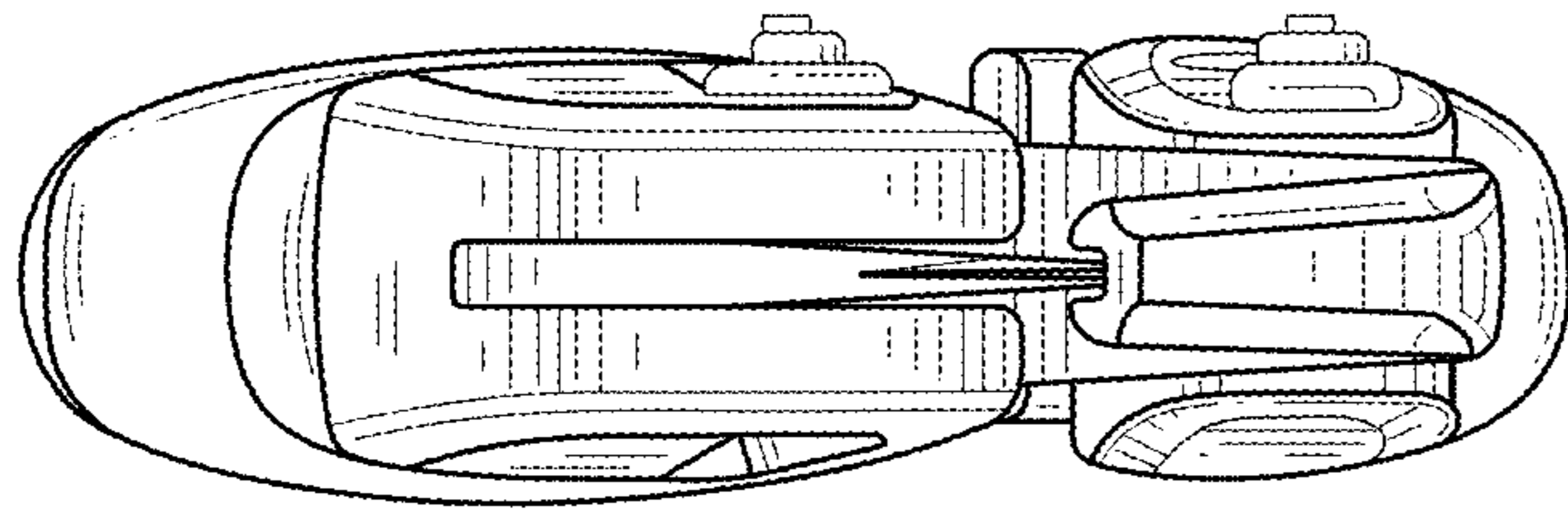


FIG. 6